



US00D543539S

(12) **United States Design Patent**
Säde et al.

(10) **Patent No.: US D543,539 S**

(45) **Date of Patent: ** May 29, 2007**

(54) **HEADSET**

(75) Inventors: **Heli Säde**, Salo (FI); **Sami Lehtovaara**, Masku (FI)

(73) Assignee: **Nokia Corporation**, Espoo (FI)

(**) Term: **14 Years**

(21) Appl. No.: **29/246,167**

(22) Filed: **Mar. 3, 2006**

(30) **Foreign Application Priority Data**

Sep. 6, 2005 (FI) M-20050133

(51) **LOC (8) Cl.** **14-01**

(52) **U.S. Cl.** **D14/223**

(58) **Field of Classification Search** D14/188,
D14/192, 205, 206, 223; 181/128, 129, 130;
379/430, 433, 446, 330, 370, 374, 376, 377,
379/379, 378, 381; 455/351; D24/173, 174
See application file for complete search history.

(56) **References Cited**

U.S. PATENT DOCUMENTS

D192,860 S * 5/1962 Yamasaki D24/174
D326,653 S * 6/1992 Hino D14/192
D494,569 S * 8/2004 Ma D14/223

D498,750 S * 11/2004 Ma D14/223
D502,171 S * 2/2005 Tang et al. D14/223
D508,485 S * 8/2005 Katsumata D14/223
D512,991 S * 12/2005 Yano D14/223
D520,497 S * 5/2006 Yang D14/223
D526,313 S * 8/2006 Murray D14/223

FOREIGN PATENT DOCUMENTS

WO DM/066533 5/2005

* cited by examiner

Primary Examiner—Paula A. Greene

(74) *Attorney, Agent, or Firm*—Banner & Witcoff, Ltd.

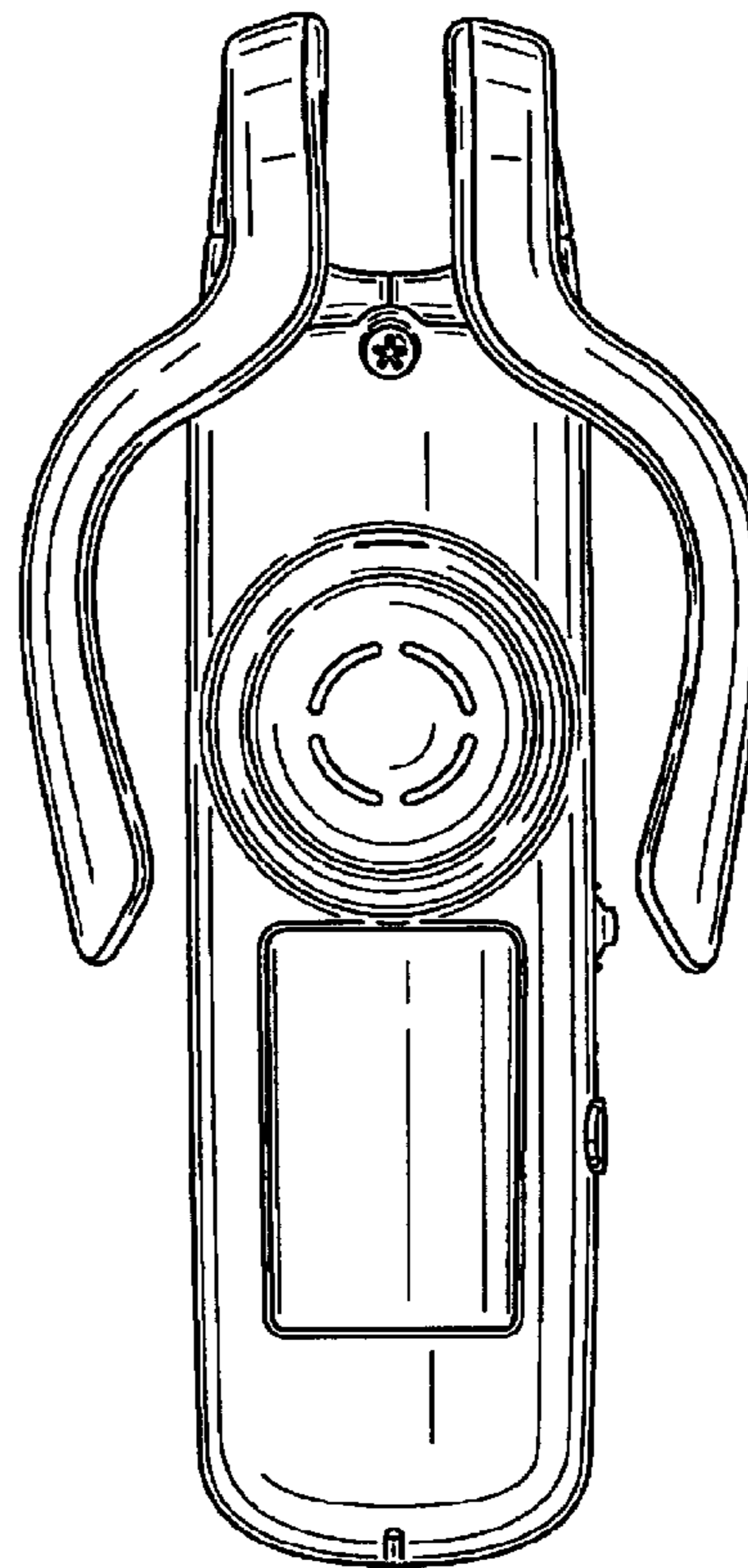
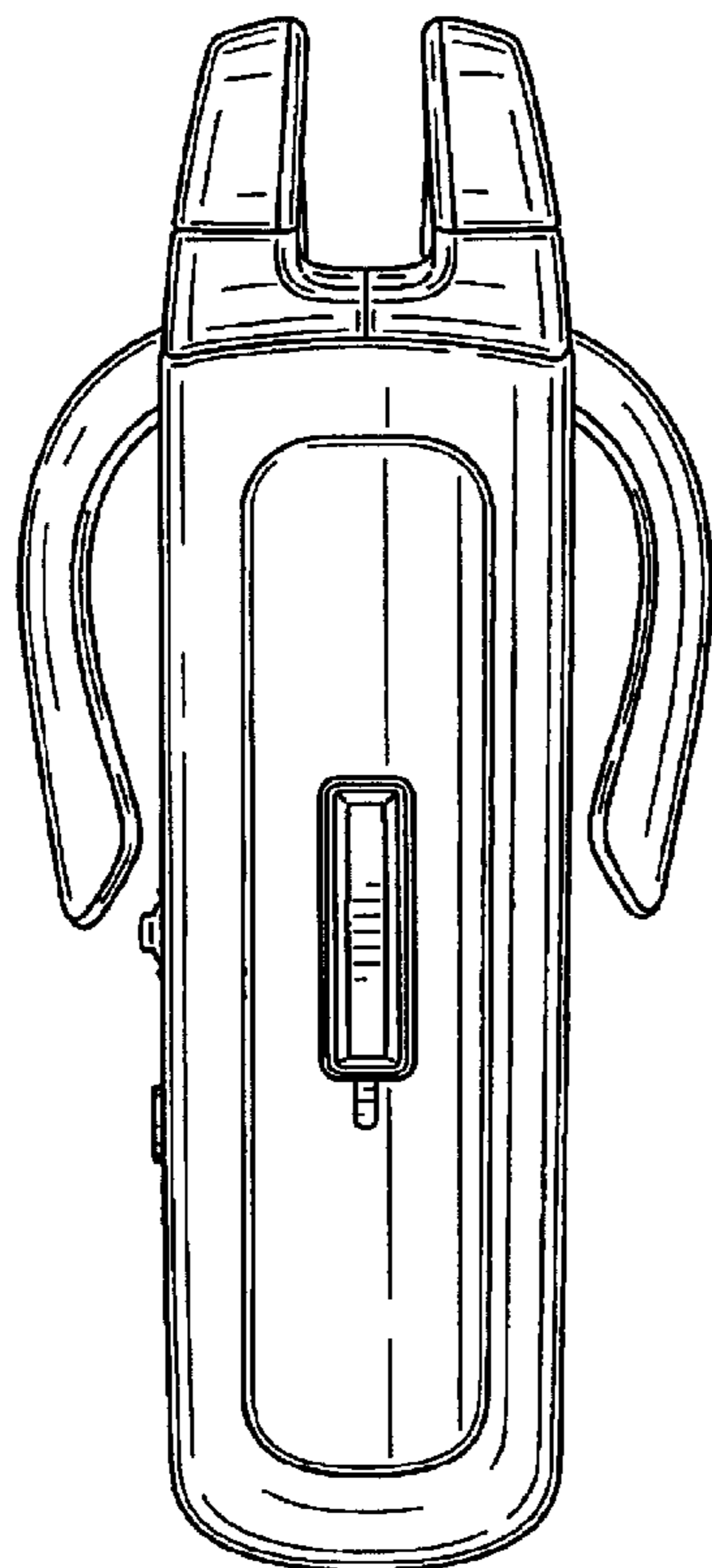
(57) **CLAIM**

The ornamental design for a headset, as shown and described.

DESCRIPTION

FIG. 1 is a front view of a headset showing our new design; FIG. 2 is a rear view thereof; FIG. 3 is a perspective front view thereof; FIG. 4 is a perspective rear view thereof; FIG. 5 is a left side view thereof; FIG. 6 is a right side view thereof; FIG. 7 is a top plan view thereof; and, FIG. 8 is a bottom plan view thereof.

1 Claim, 4 Drawing Sheets



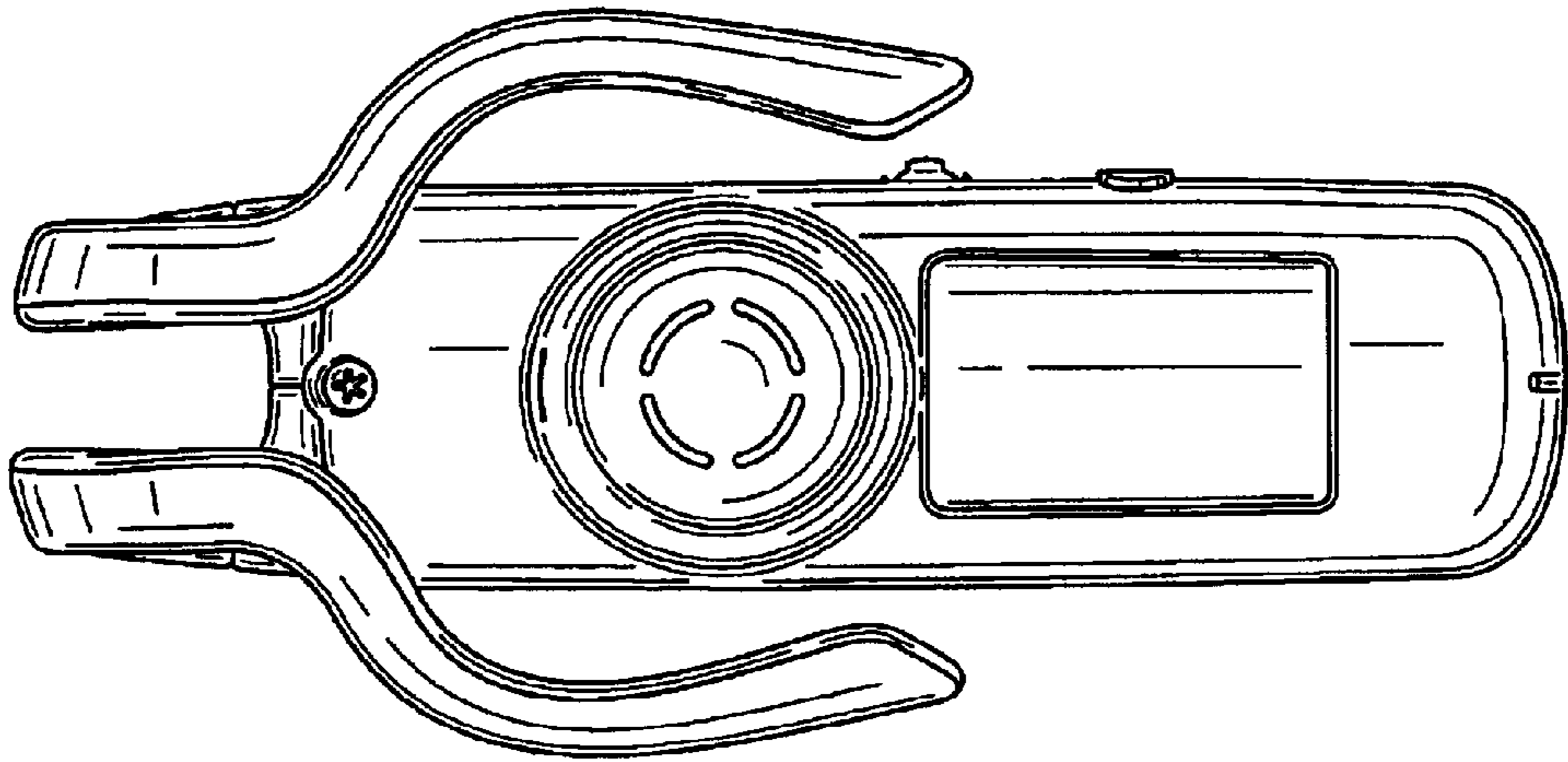


FIG. 2

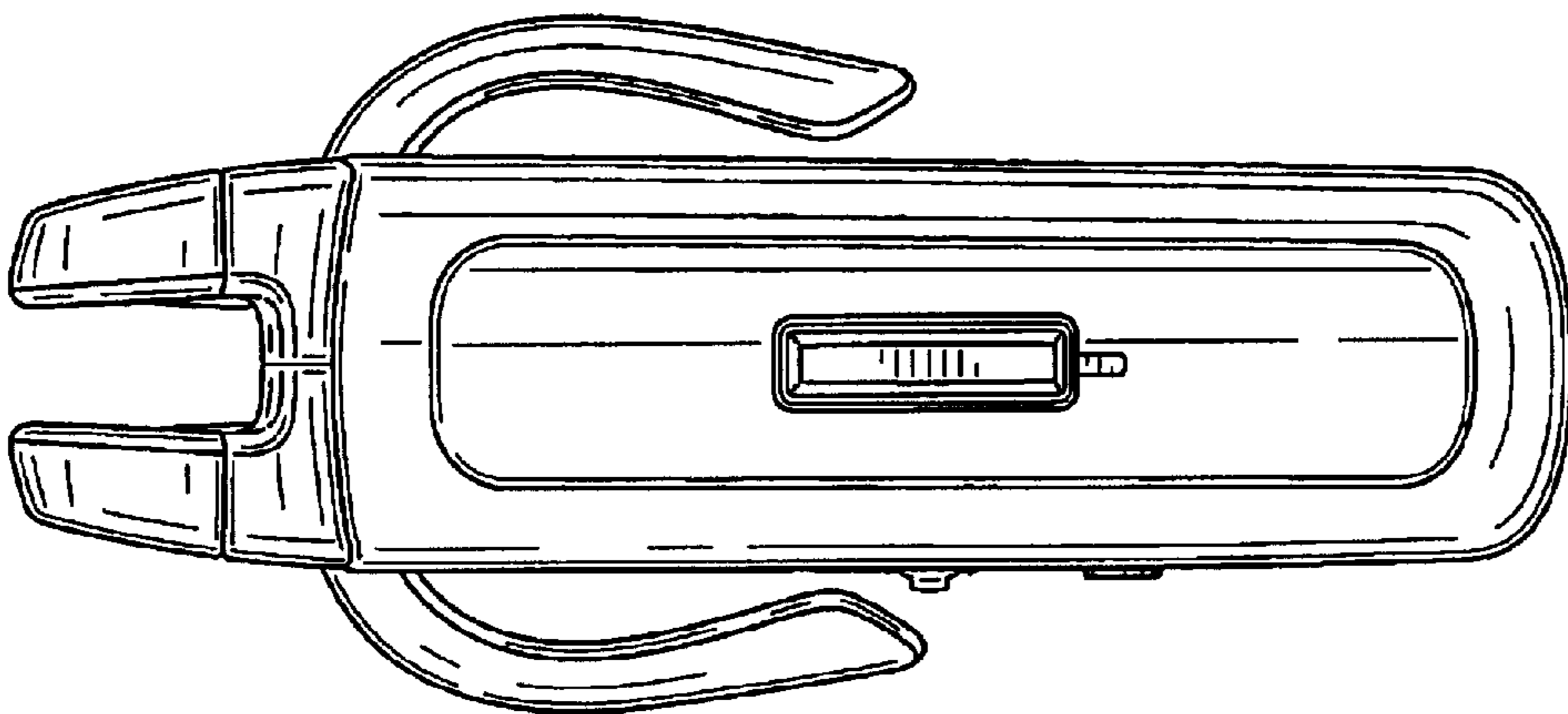


FIG. 1

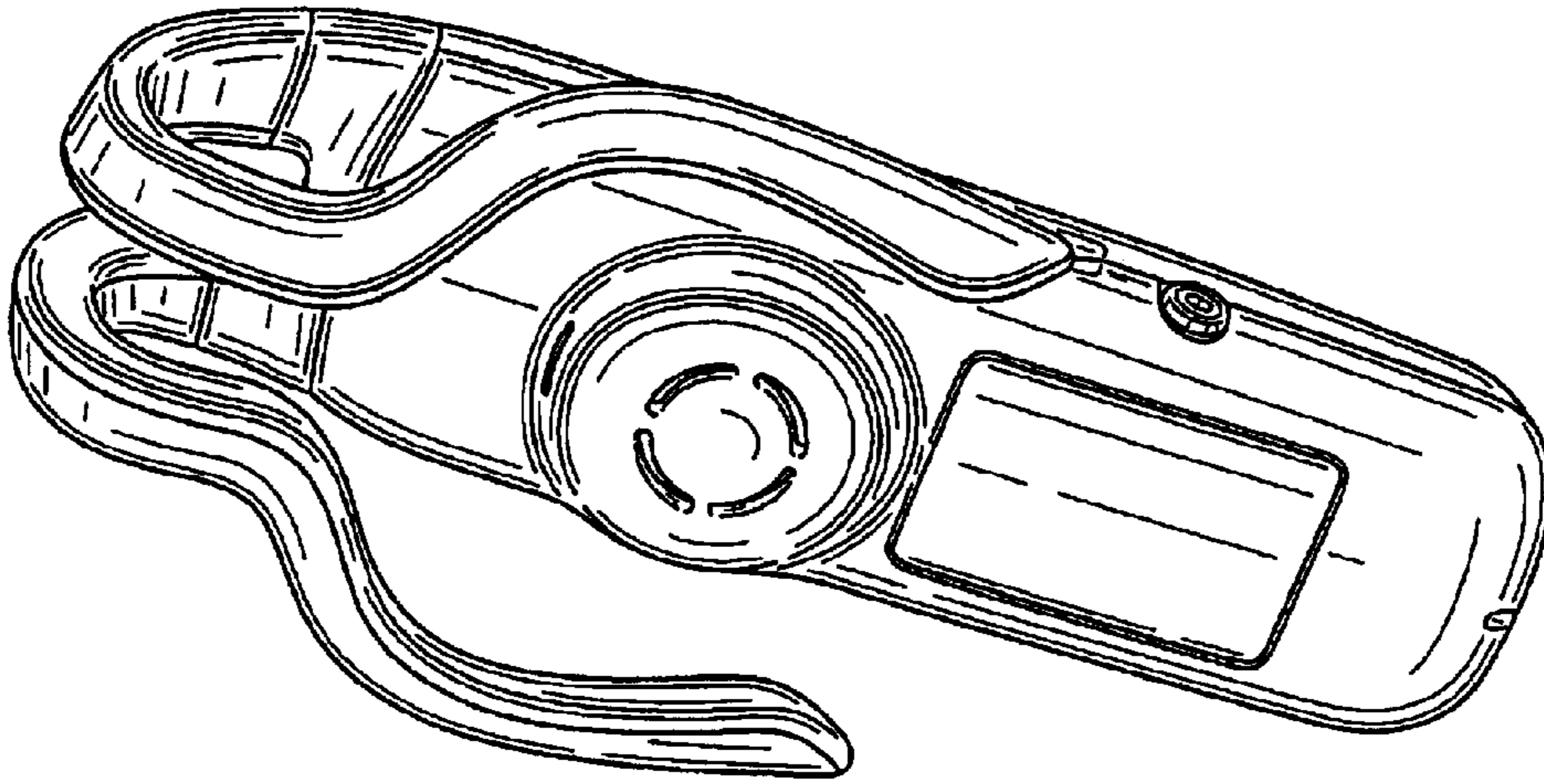


FIG. 4

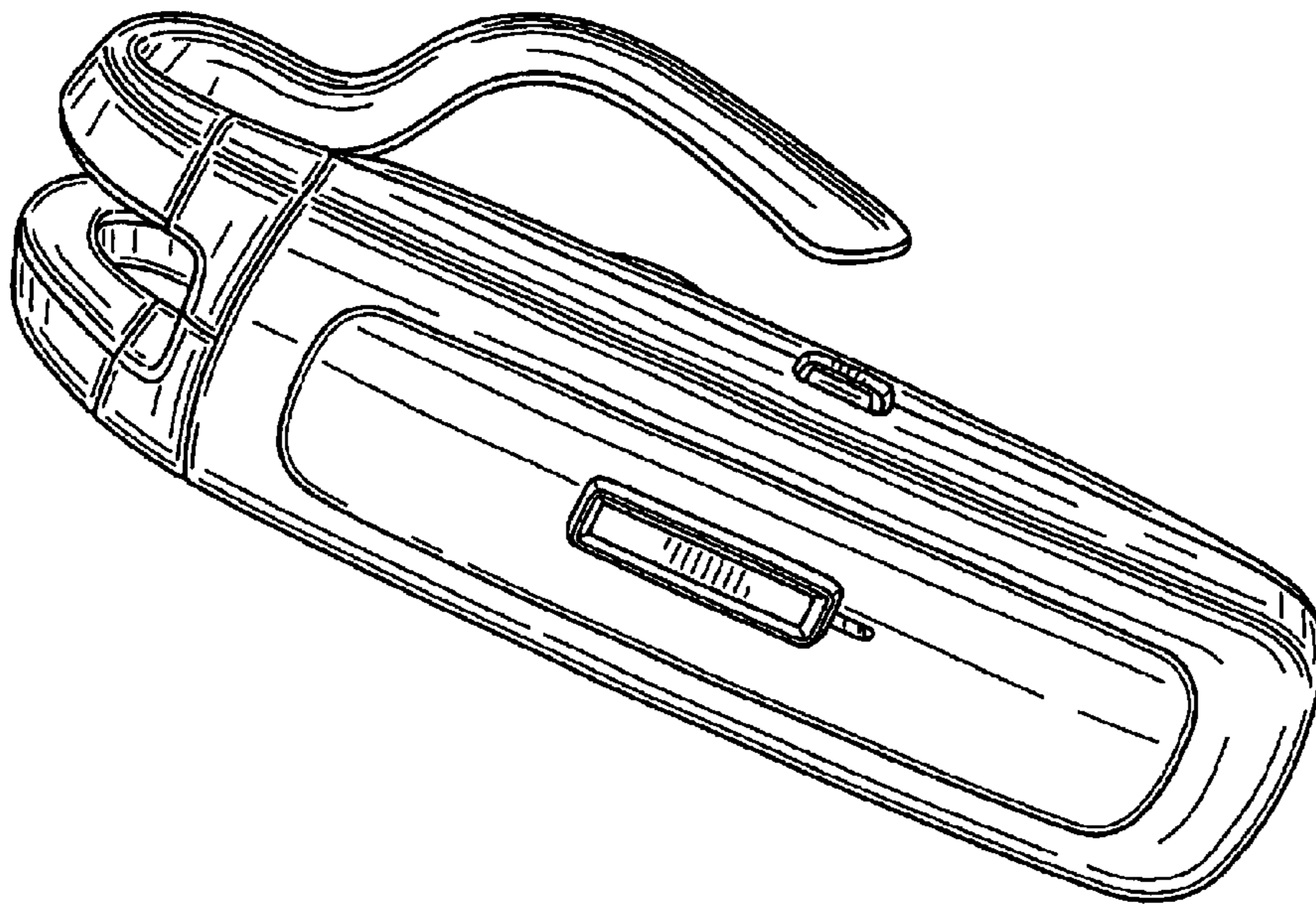


FIG. 3

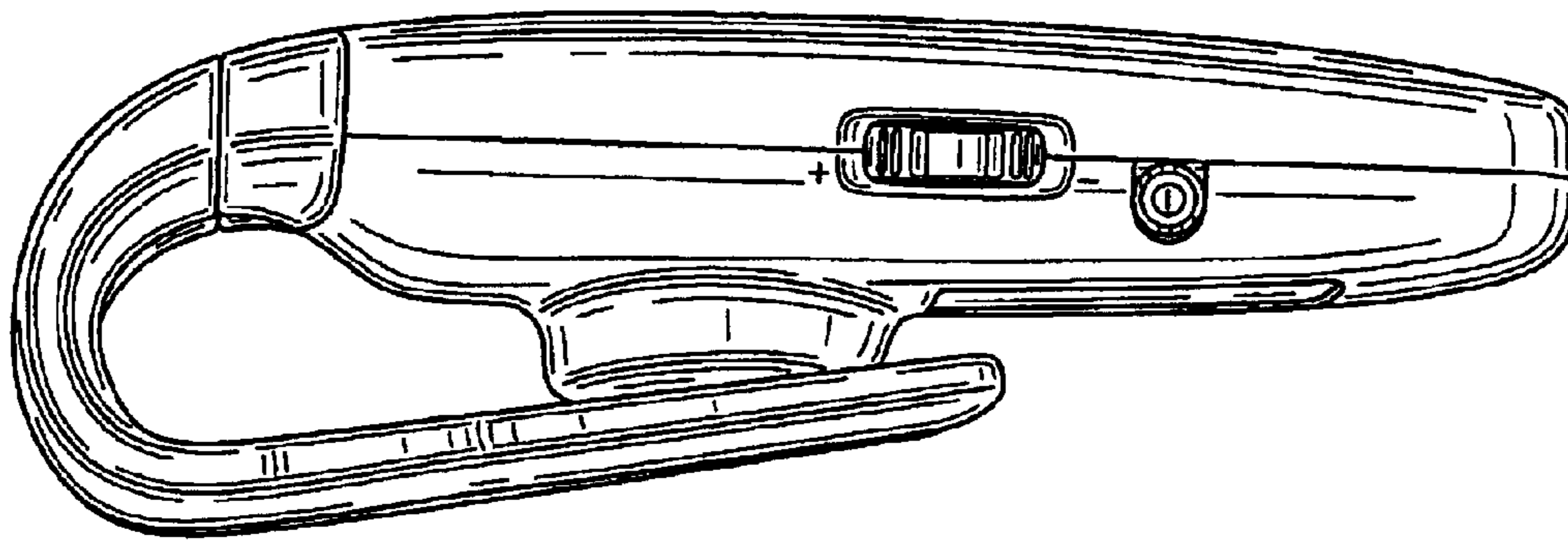


FIG. 5

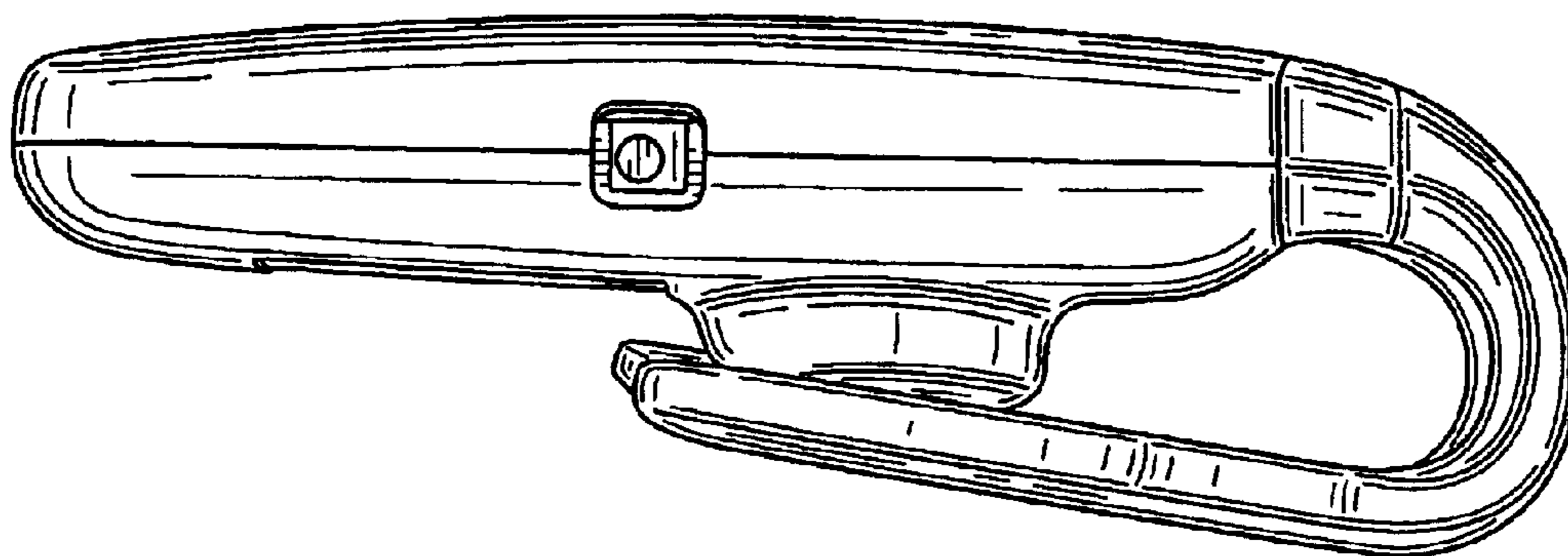


FIG. 6

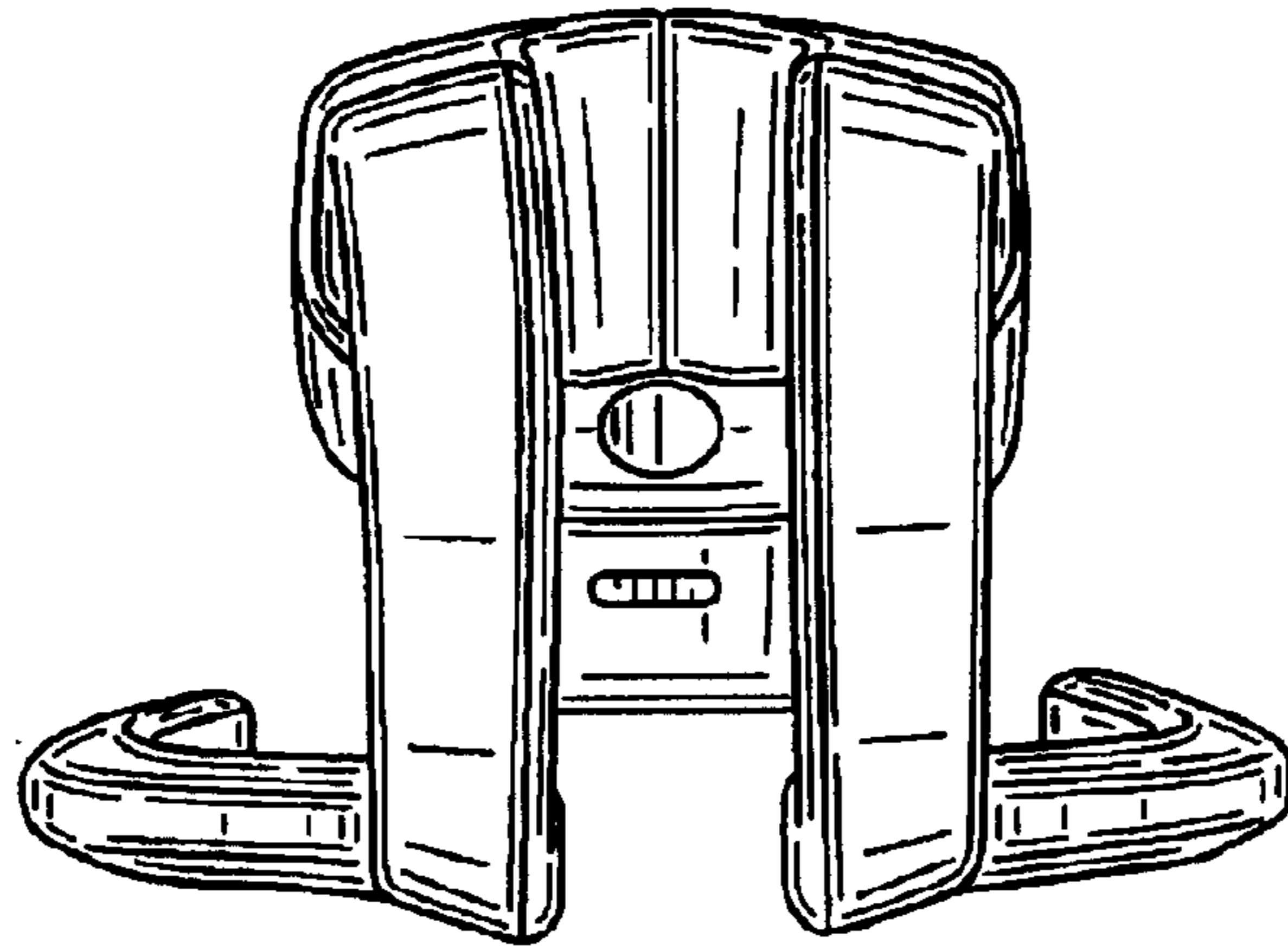


FIG. 7

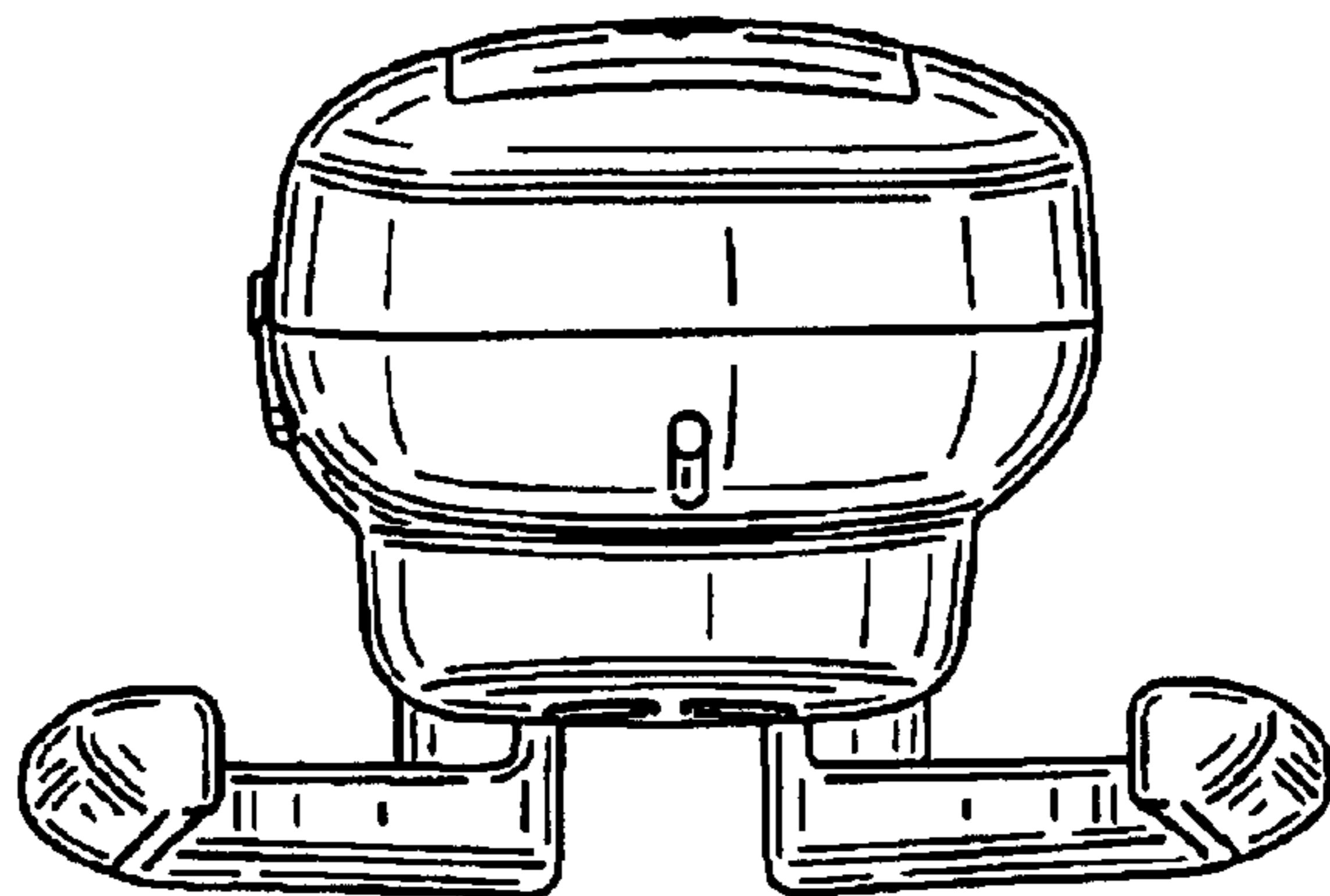


FIG. 8