



US00D543536S

(12) **United States Design Patent**
Hall

(10) **Patent No.:** **US D543,536 S**

(45) **Date of Patent:** **** May 29, 2007**

(54) **LOUDSPEAKER**

(75) **Inventor:** **Robert Ian Hall**, Longwell Green (GB)

(73) **Assignee:** **Saitek P.L.C.**, Bristol (GB)

(**) **Term:** **14 Years**

(21) **Appl. No.:** **29/245,916**

(22) **Filed:** **Dec. 30, 2005**

(30) **Foreign Application Priority Data**

Aug. 7, 2005 (EM) 000373121-0001

(51) **LOC (8) Cl.** **14-01**

(52) **U.S. Cl.** **D14/215**

(58) **Field of Classification Search** D14/204,
D14/207, 209–216, 356; 181/143–144, 147–148,
181/150, 157, 198–199, 151, 153; 381/300–302,
381/306, 333, 345, 361–364, 386–388, 332,
381/336

See application file for complete search history.

(56) **References Cited**

U.S. PATENT DOCUMENTS

D483,736 S * 12/2003 Tanaka D14/168

D486,468 S * 2/2004 Suzuki D14/168

D505,941 S * 6/2005 Hirano D14/215

D509,223 S * 9/2005 Steele et al. D14/496

D512,044 S * 11/2005 Esslinger et al. D14/168

* cited by examiner

Primary Examiner—Nanda Bondade

(74) *Attorney, Agent, or Firm*—Brinks Hofer Gilson & Lione

(57) **CLAIM**

The ornamental design for a loudspeaker, as shown.

DESCRIPTION

FIG. 1 is a perspective view of a loudspeaker showing my new design;

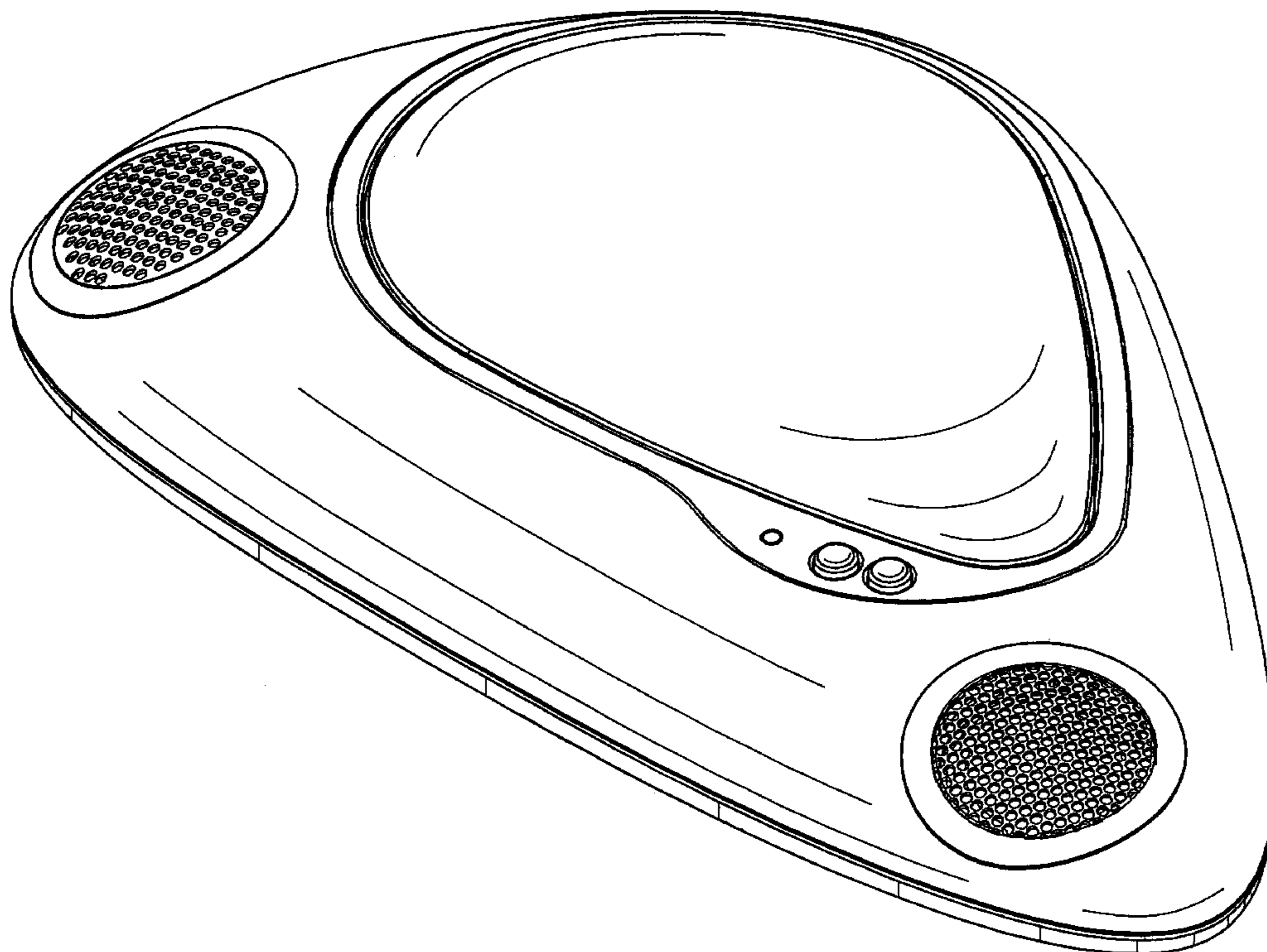
FIG. 2 is front elevational view thereof;

FIG. 3 is a right side elevational view thereof;

FIG. 4 is a bottom plan view thereof; and,

FIG. 5 is a bottom perspective view thereof.

1 Claim, 5 Drawing Sheets



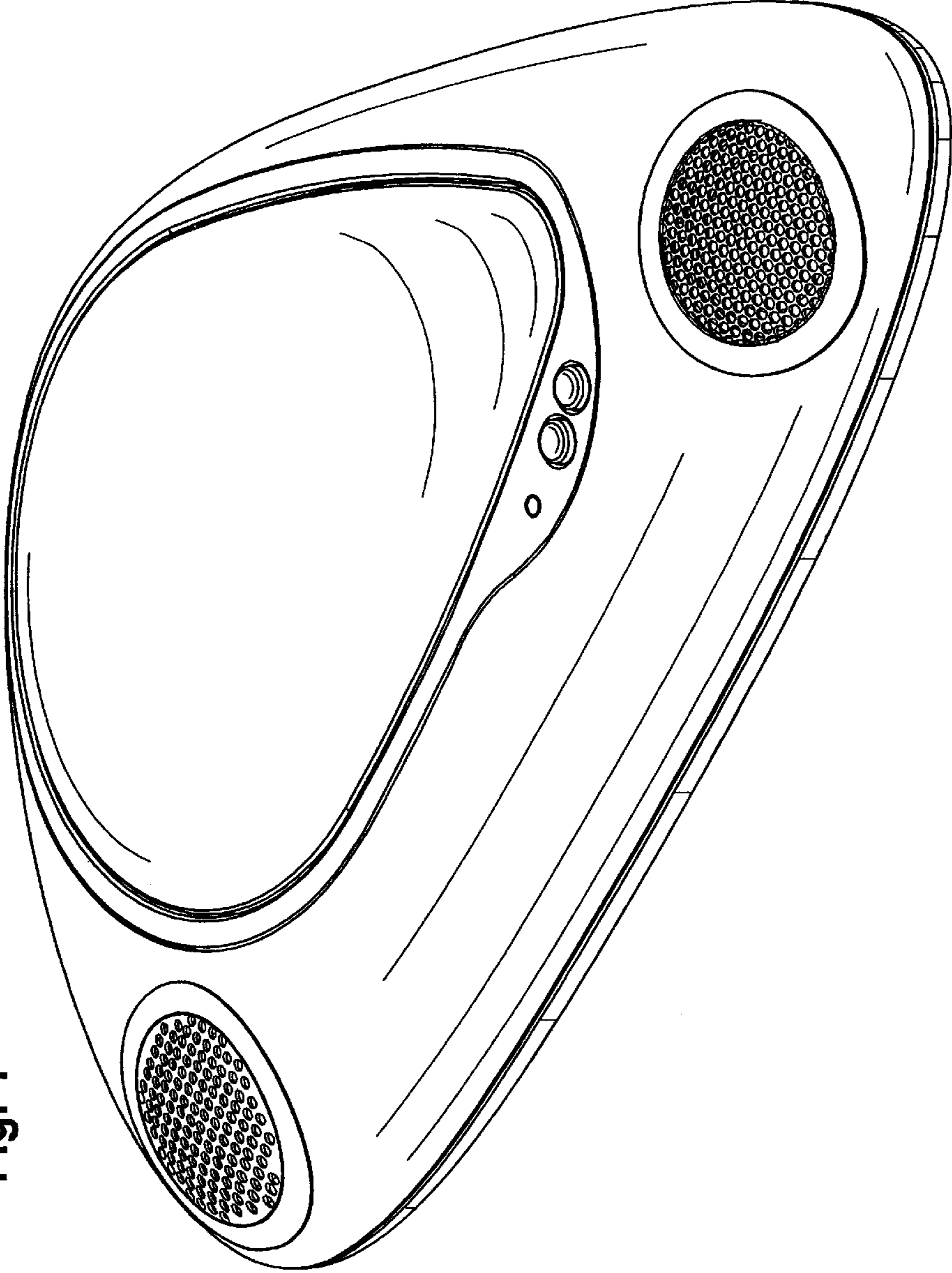


Fig. 1

Fig. 2

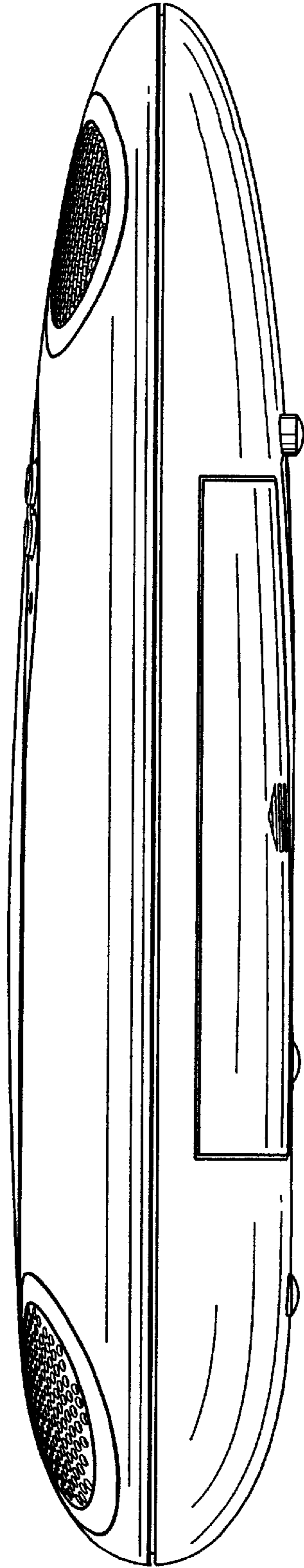
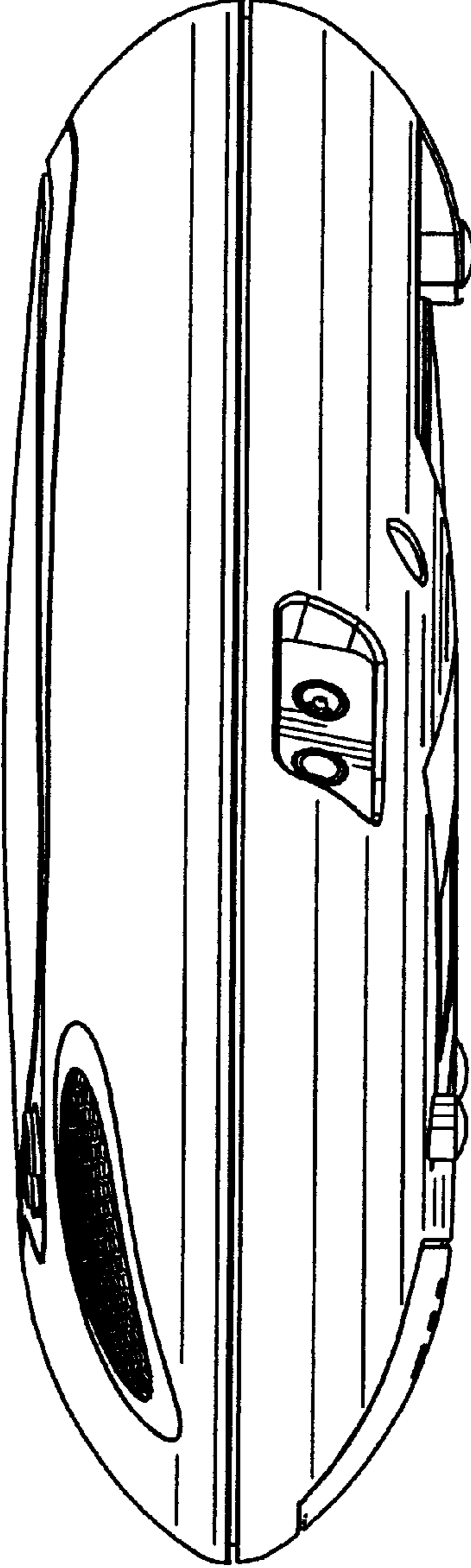


Fig. 3



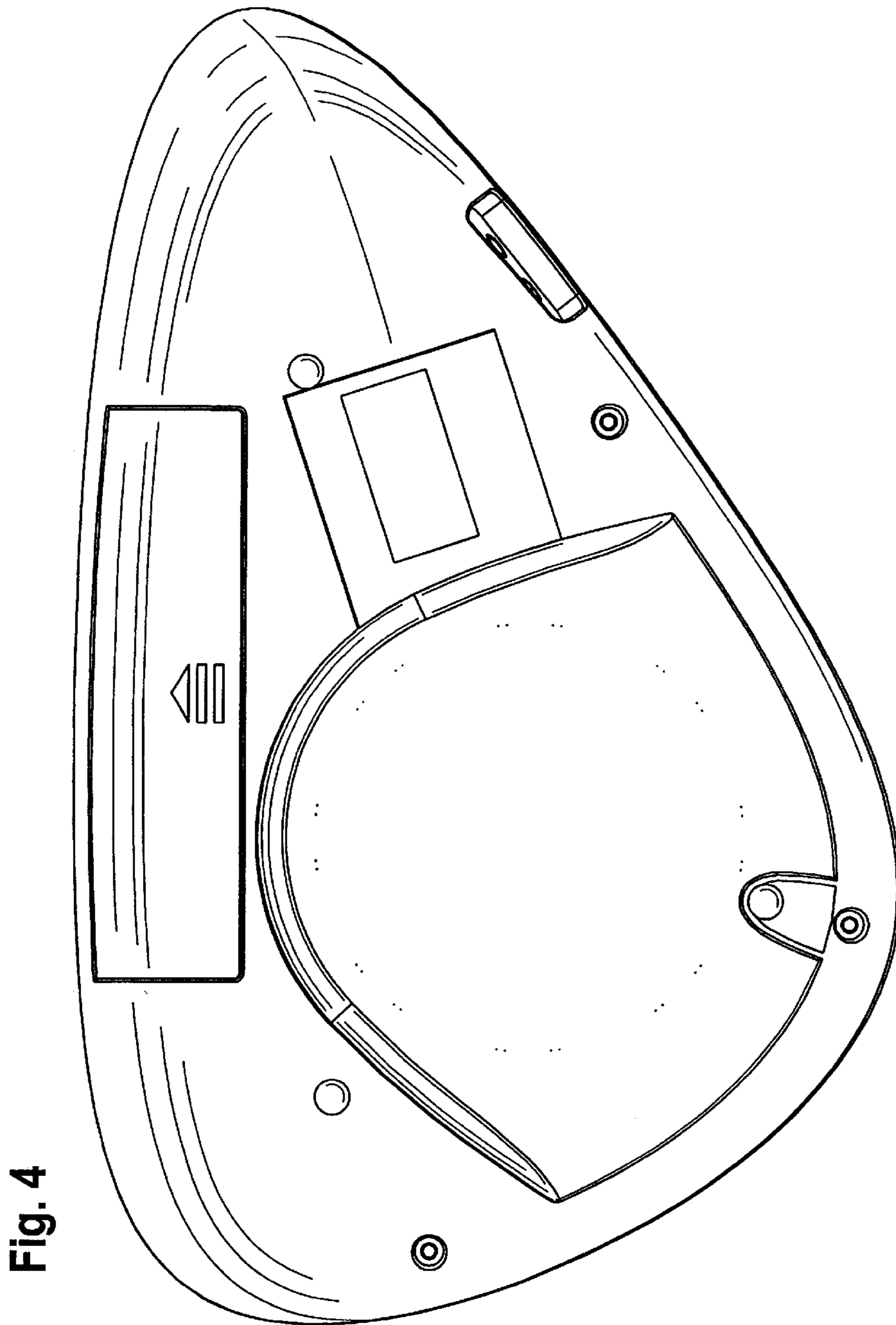


Fig. 4

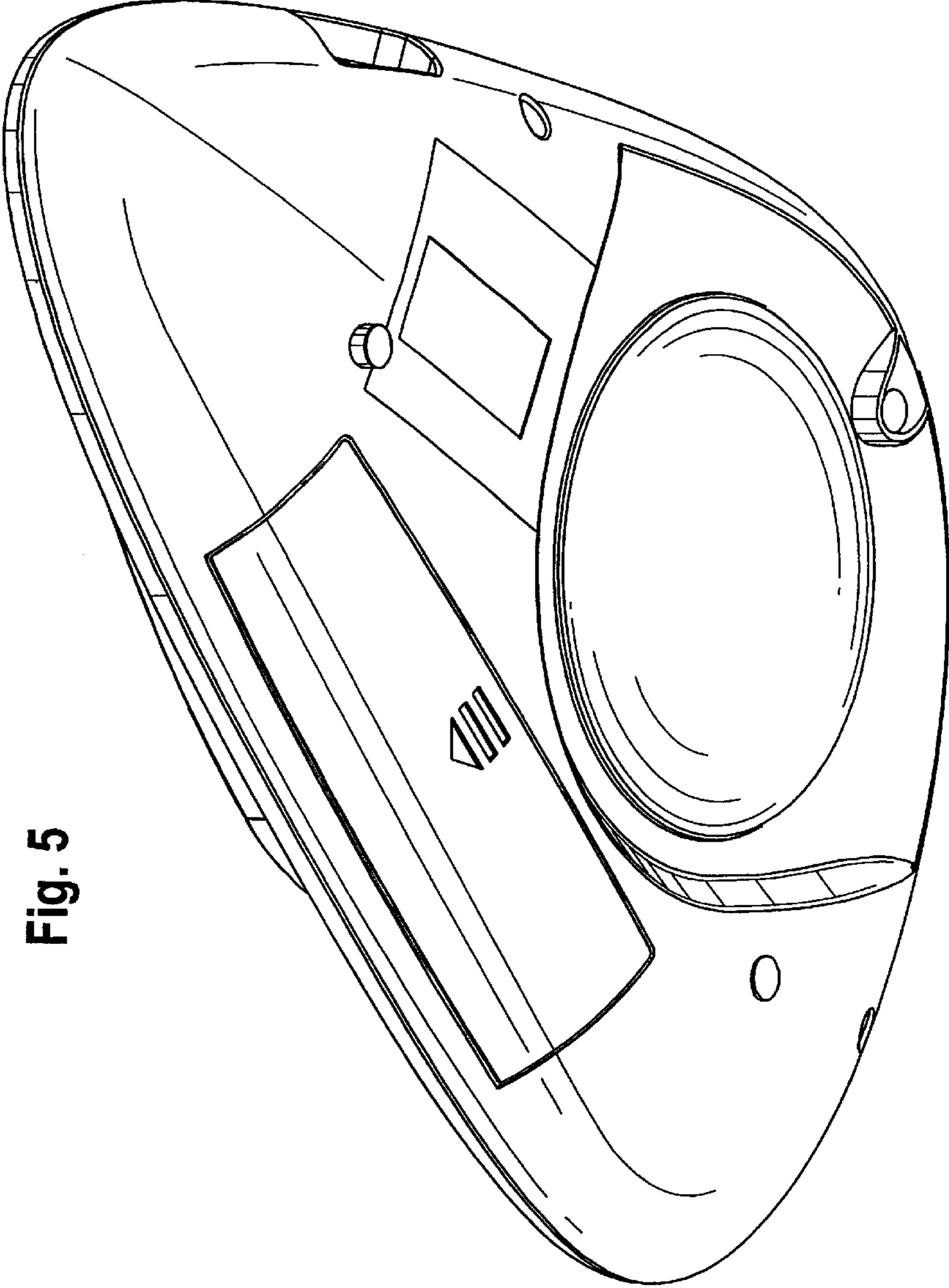


Fig. 5