

US00D543534S

(12) **United States Design Patent** (10) **Patent No.:** **US D543,534 S**  
**Tsuge** (45) **Date of Patent:** **\*\* May 29, 2007**

|   |    |            |         |
|---|----|------------|---------|
| (54) <b>SPEAKER BOX</b>                             | JP | D1174519 S | 6/2003  |
|   | JP | D1201876 S | 4/2004  |
| (75) Inventor: <b>Takahiro Tsuge</b> , Tokyo (JP)   | JP | D1202258 S | 4/2004  |
|   | JP | D1225137 S | 12/2004 |
| (73) Assignee: <b>Sony Corporation</b> , Tokyo (JP) | JP | D1225162 S | 12/2004 |
|   | JP | D1229055 S | 1/2005  |
| (**) Term: <b>14 Years</b>                          | JP | D1241440 S | 6/2005  |

OTHER PUBLICATIONS

Patent Office Prior Art No. HB1601759000, "Ottagono", vol. 175, p. 170, Italy (Dec. 20, 2004).

Patent Office Prior Art No. HD0900908500, "Adelicate, sustainedvibrato, edeepauthoritativebassnote..thepr", p. 4, USA (Sep. 16, 1997).

\* cited by examiner

*Primary Examiner*—Nanda Bondade  
(74) *Attorney, Agent, or Firm*—Rader, Fishman & Grauer PLLC

(21) Appl. No.: **29/258,579**

(22) Filed: **Apr. 25, 2006**

(30) **Foreign Application Priority Data**  
Dec. 8, 2005 (JP) ..... D2005-036287

(51) **LOC (8) Cl.** ..... **14-01**

(52) **U.S. Cl.** ..... **D14/211**

(58) **Field of Classification Search** ..... D14/204,  
D14/207, 209–216, 172; 181/143–144, 147–148,  
181/150, 157, 198–199, 151, 153; 381/300–302,  
381/306, 333, 345, 361–364, 386–388, 332,  
381/336

See application file for complete search history.

(57) **CLAIM**

The ornamental design for a speaker box, as shown.

**DESCRIPTION**

FIG. 1 is a perspective view of a speaker box showing my new design;

FIG. 2 is a front elevational view thereof;

FIG. 3 is a rear elevational view thereof;

FIG. 4 is a left side elevational view thereof;

FIG. 5 is a right side elevational view thereof;

FIG. 6 is a top plan view thereof; and,

FIG. 7 is a bottom plan view thereof.

(56) **References Cited**

U.S. PATENT DOCUMENTS

|             |   |         |        |       |         |
|-------------|---|---------|--------|-------|---------|
| D319,242 S  | * | 8/1991  | Furuno | ..... | D14/204 |
| 5,802,190 A | * | 9/1998  | Ferren | ..... | 381/182 |
| D457,875 S  | * | 5/2002  | Joe    | ..... | D14/211 |
| D492,281 S  |   | 6/2004  | Hakoda |       |         |
| D508,480 S  | * | 8/2005  | Oikawa | ..... | D14/211 |
| D512,987 S  |   | 12/2005 | Tsuge  |       |         |

FOREIGN PATENT DOCUMENTS

JP D1173231 S 5/2003

**1 Claim, 7 Drawing Sheets**

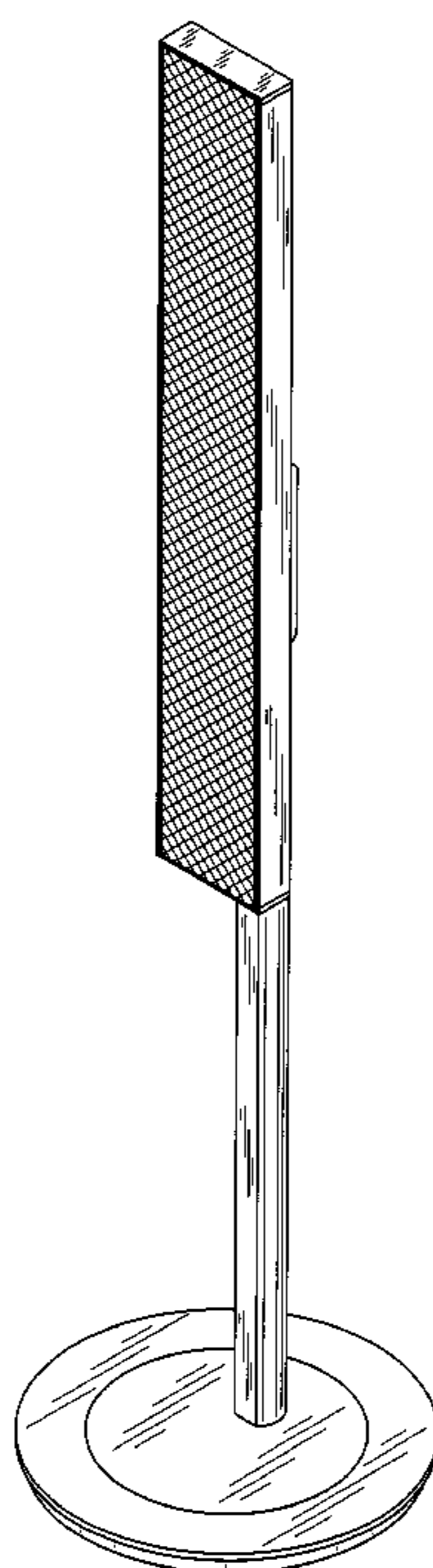


Fig. 1

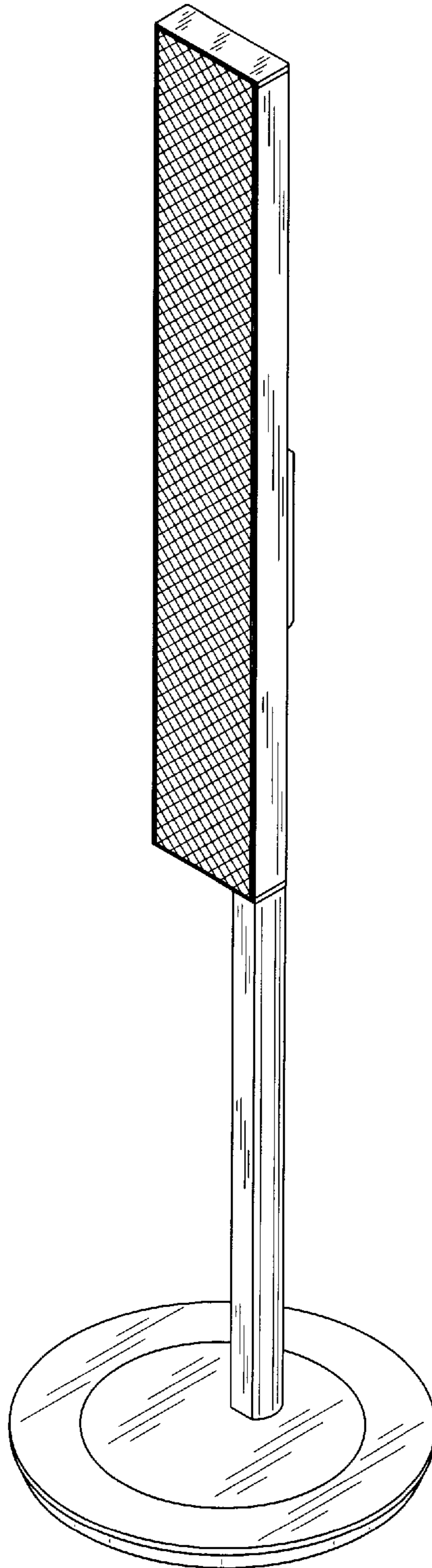


Fig.2

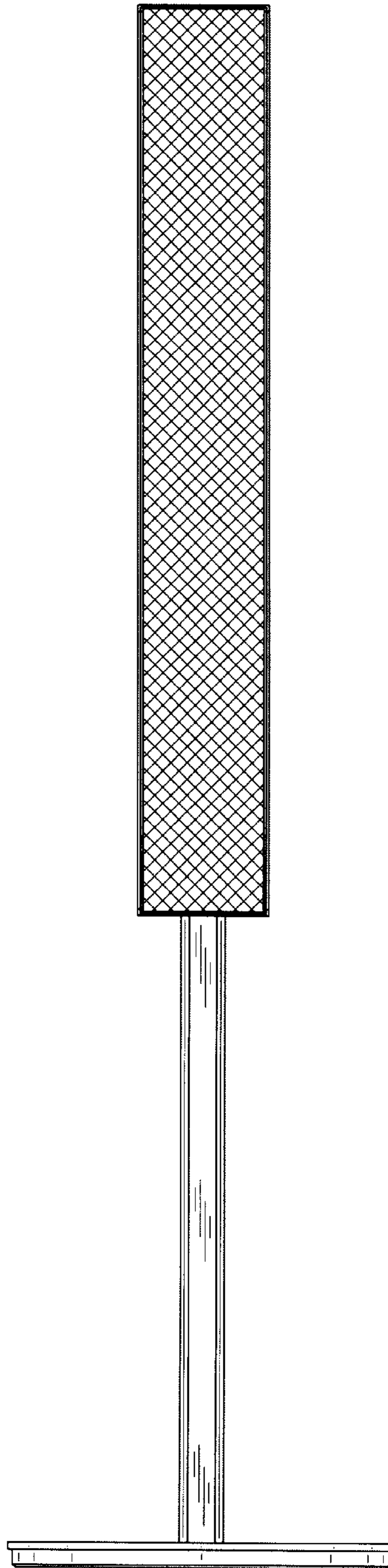


Fig.3

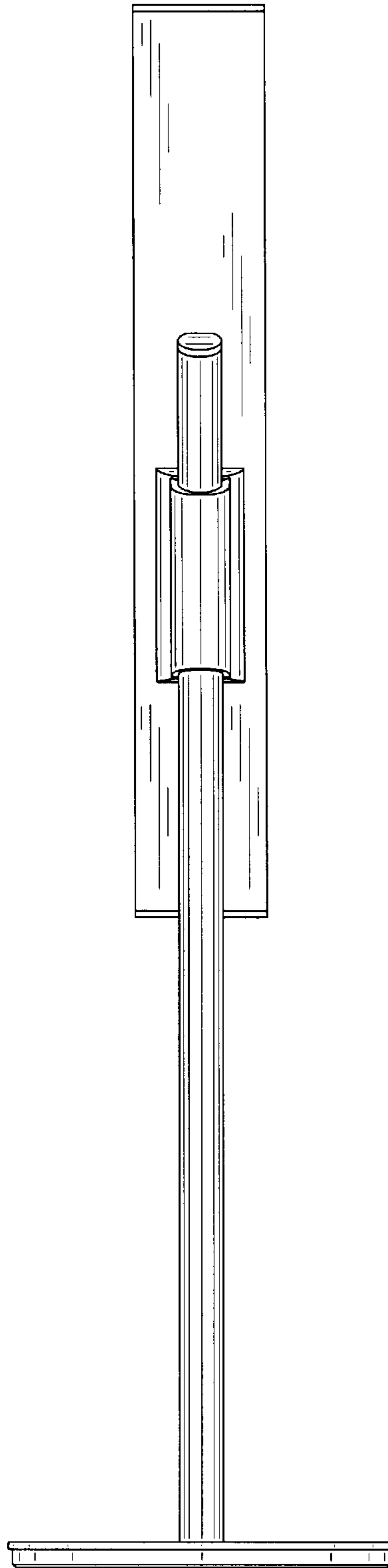


Fig.4

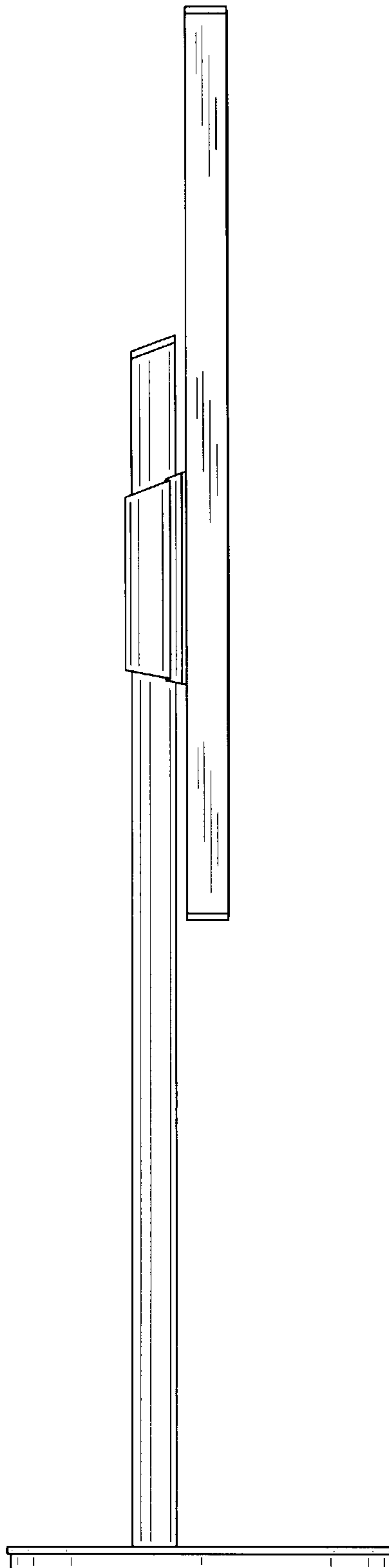


Fig.5

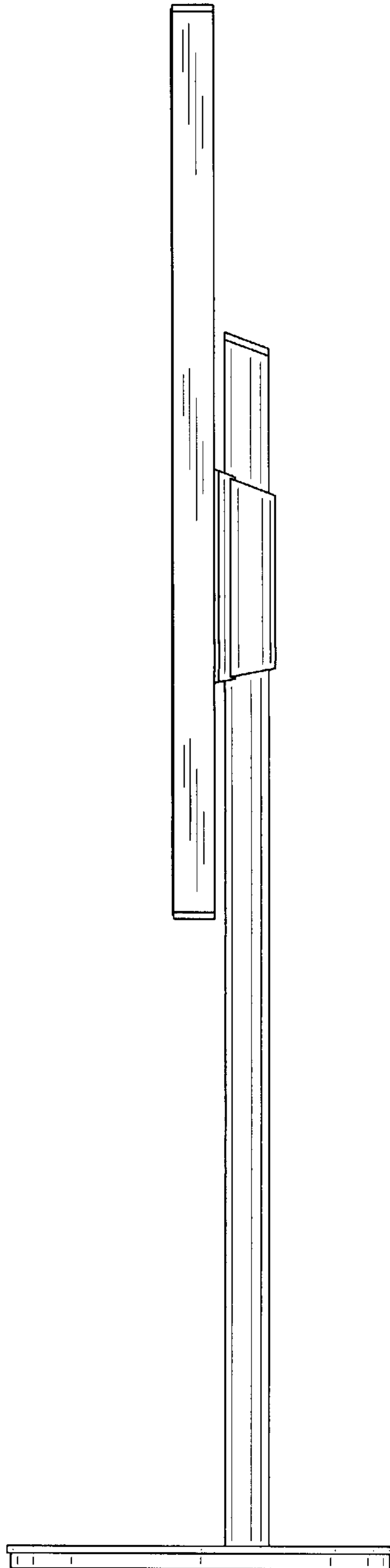


Fig.6

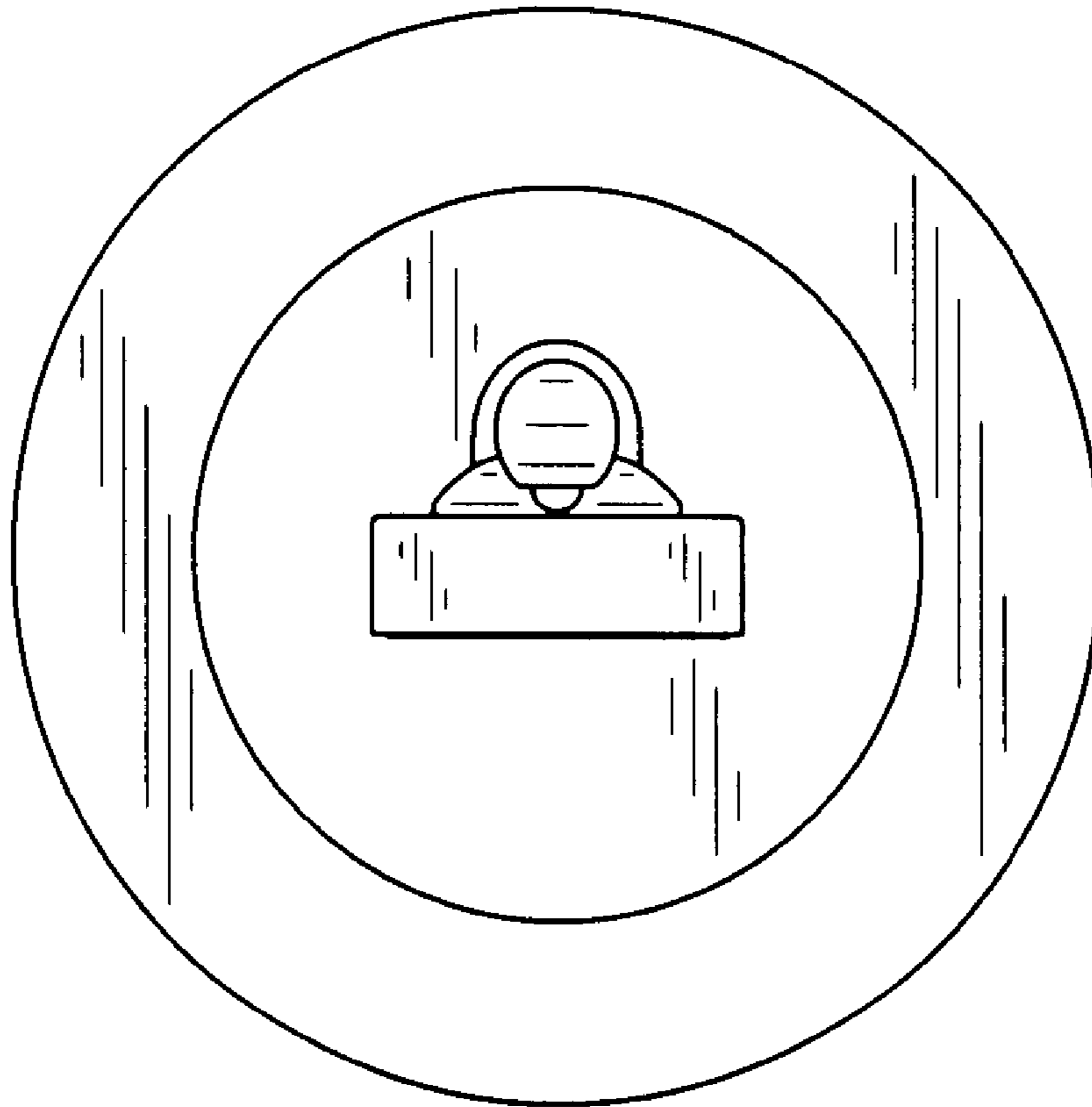


Fig.7

