



US00D543533S

(12) **United States Design Patent**
Yuen

(10) **Patent No.:** **US D543,533 S**

(45) **Date of Patent:** **** May 29, 2007**

(54) **DYNAMO POWERED RADIO LED
LANTERN WITH ANALOG CLOCK**

(76) Inventor: **Se Kit Yuen**, 6/F., Yau Lee Centre, 45
Hoi Yuen Road, Kwun Tong, Kowloon
(HK)

(**) Term: **14 Years**

(21) Appl. No.: **29/240,240**

(22) Filed: **Oct. 11, 2005**

(51) **LOC (8) Cl.** **14-03**

(52) **U.S. Cl.** **D14/170**

(58) **Field of Classification Search** D14/170,
D14/171, 168, 188, 193, 194, 195, 196, 197,
D14/198; D10/1, 2, 15, 128; D21/513, 516;
312/7.1; 455/91, 95, 100, 128, 344, 347,
455/350, 351; D26/52, 38, 51, 54, 37
See application file for complete search history.

(56) **References Cited**

U.S. PATENT DOCUMENTS

D376,023 S * 11/1996 Yuen D26/38
D378,819 S * 4/1997 Yuen D14/168

D382,876 S * 8/1997 Yuen D14/168
D421,659 S * 3/2000 Lei D26/38
D438,315 S * 2/2001 Yuen D26/38
D473,960 S * 4/2003 Yuen D26/38
D504,411 S * 4/2005 Lam D14/168

* cited by examiner

Primary Examiner—Stella Reid
Assistant Examiner—Keli' L. Acker

(74) *Attorney, Agent, or Firm*—Akerman Senterfitt

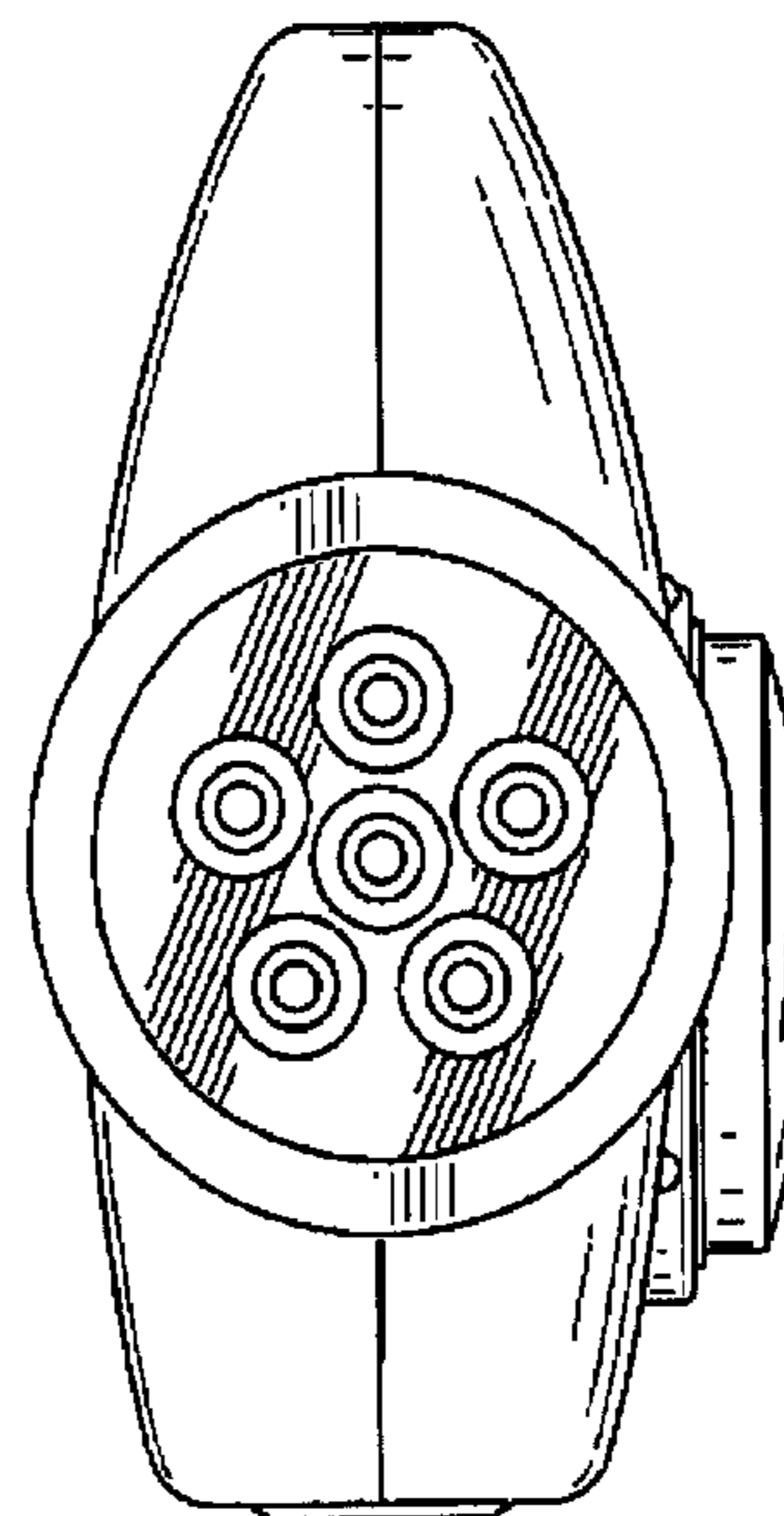
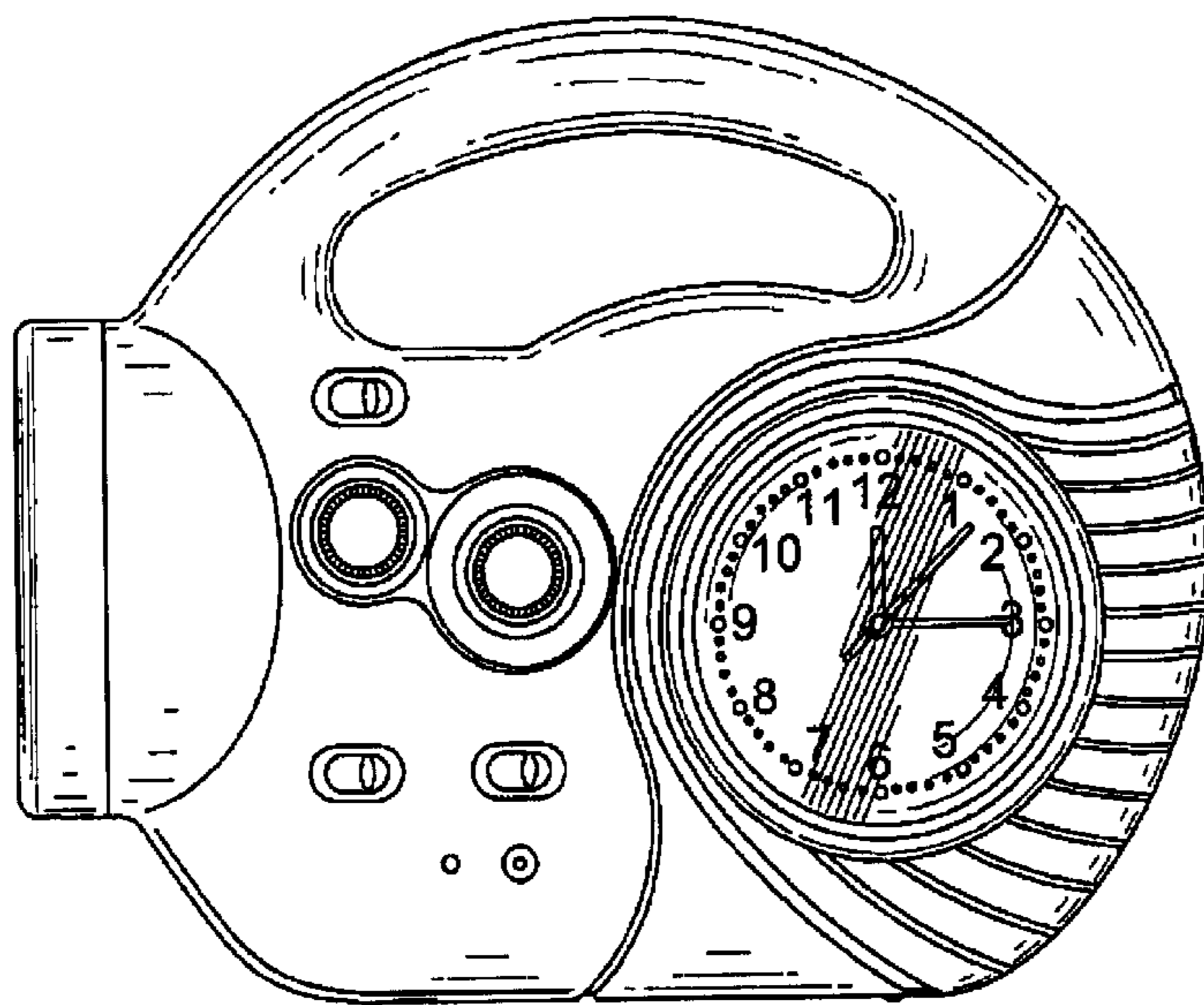
(57) **CLAIM**

The ornamental design for a dynamo powered radio LED lantern with analog clock, as shown and described.

DESCRIPTION

FIG. 1 is a front view of the dynamo powered radio LED lantern with analog clock;
FIG. 2 is a rear view thereof;
FIG. 3 is a top view thereof;
FIG. 4 is a bottom view thereof;
FIG. 5 is a side view thereof; and,
FIG. 6 is another side view thereof.

1 Claim, 4 Drawing Sheets



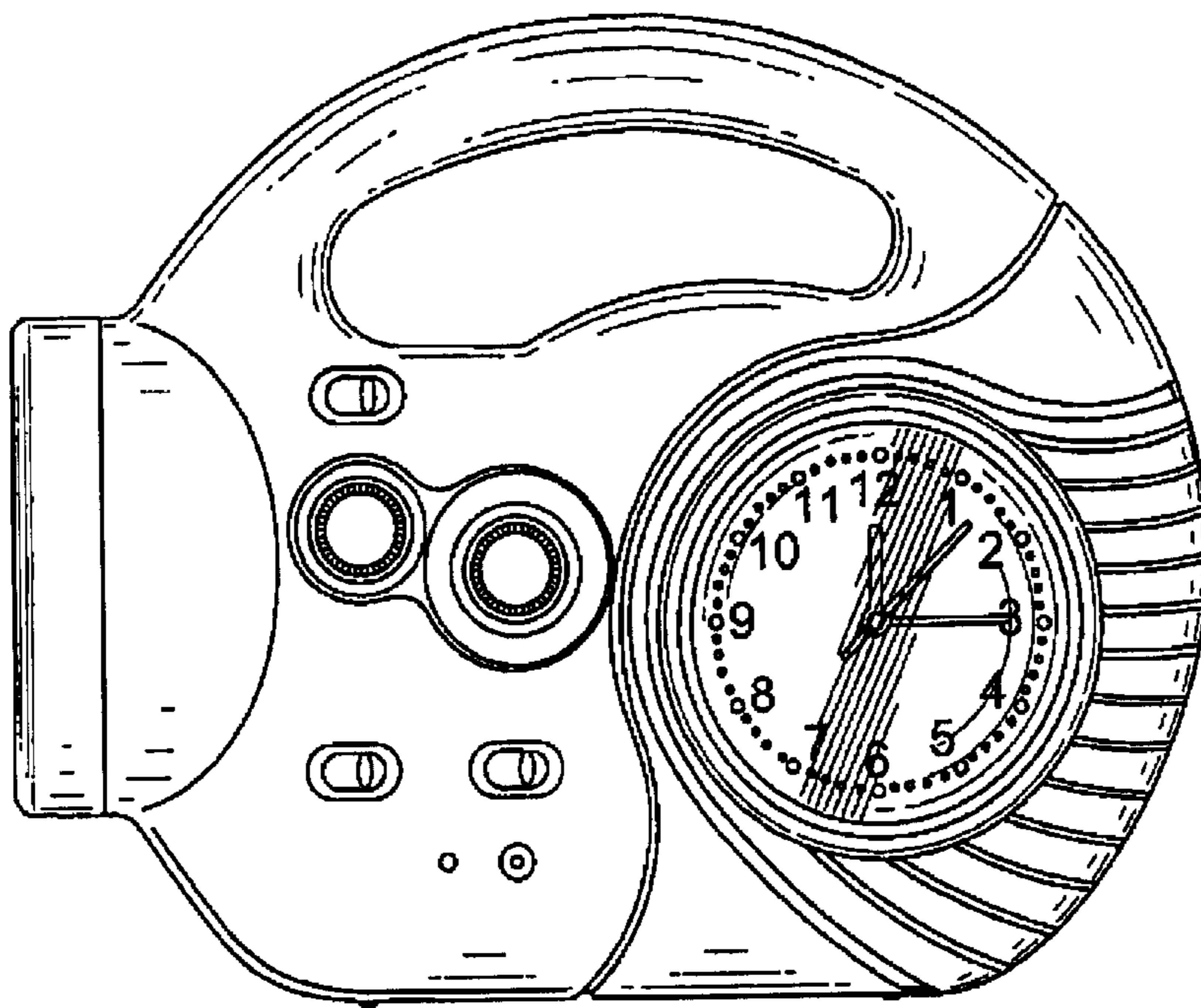


FIG. 1

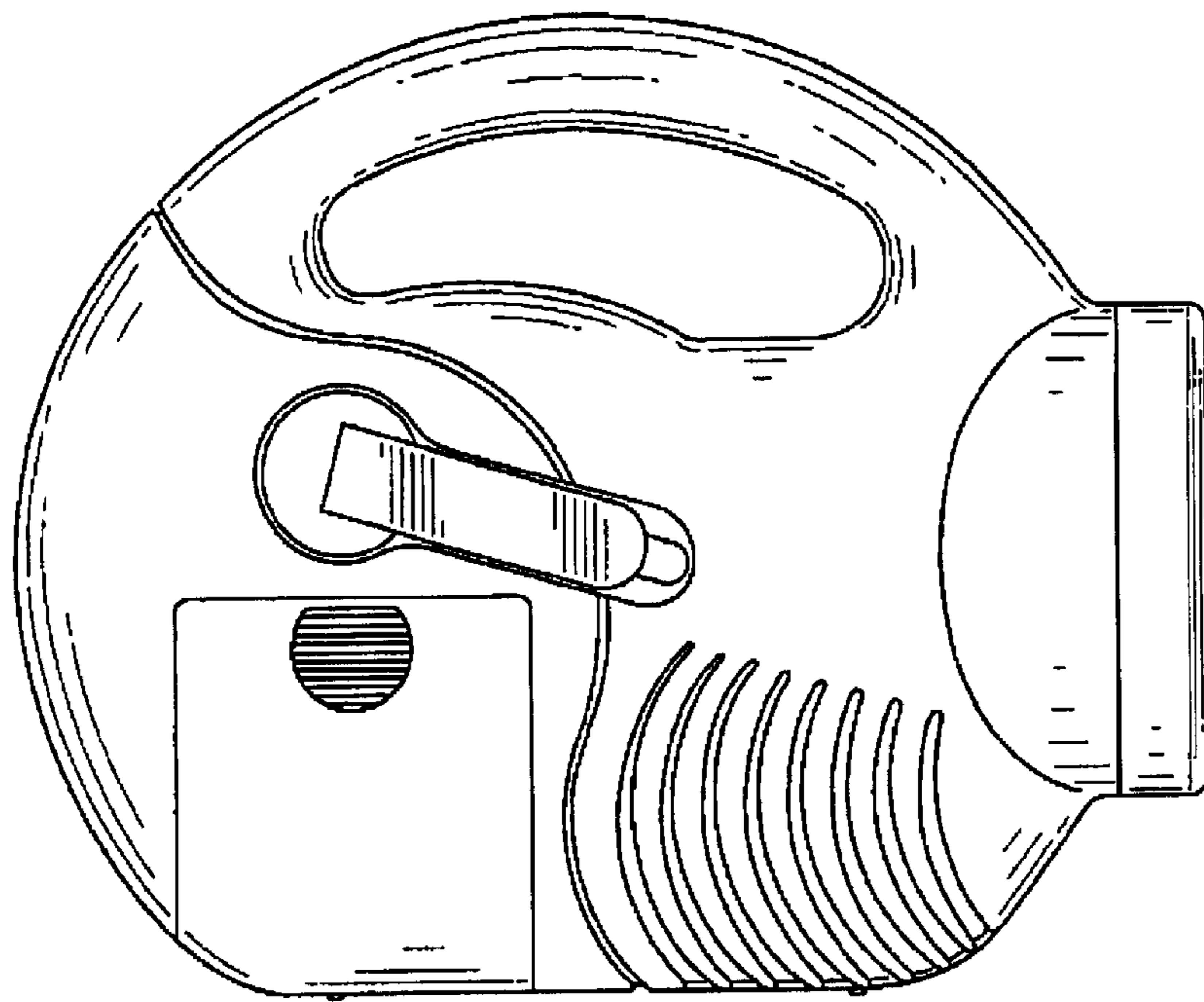


FIG. 2

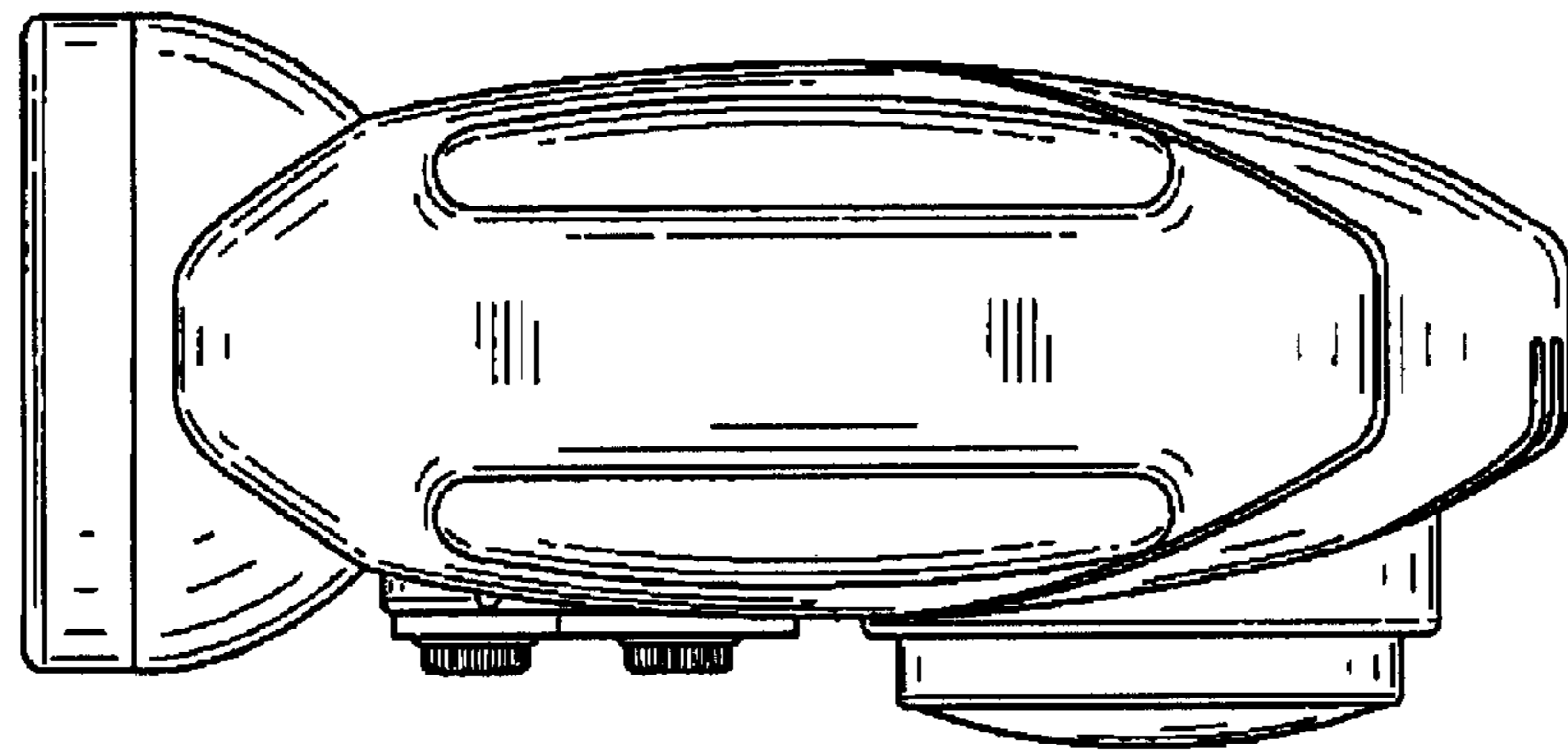


FIG. 3

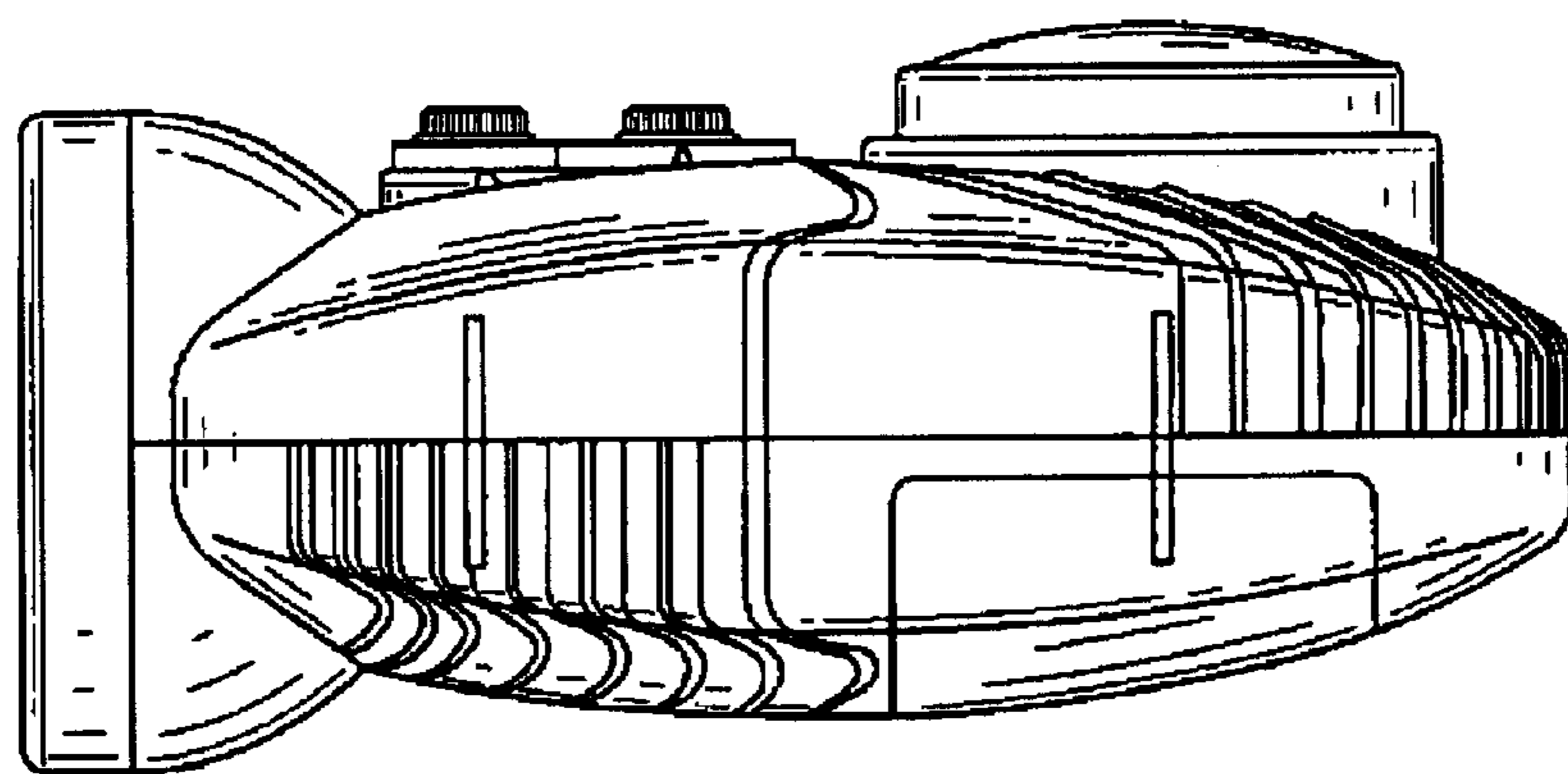


FIG. 4

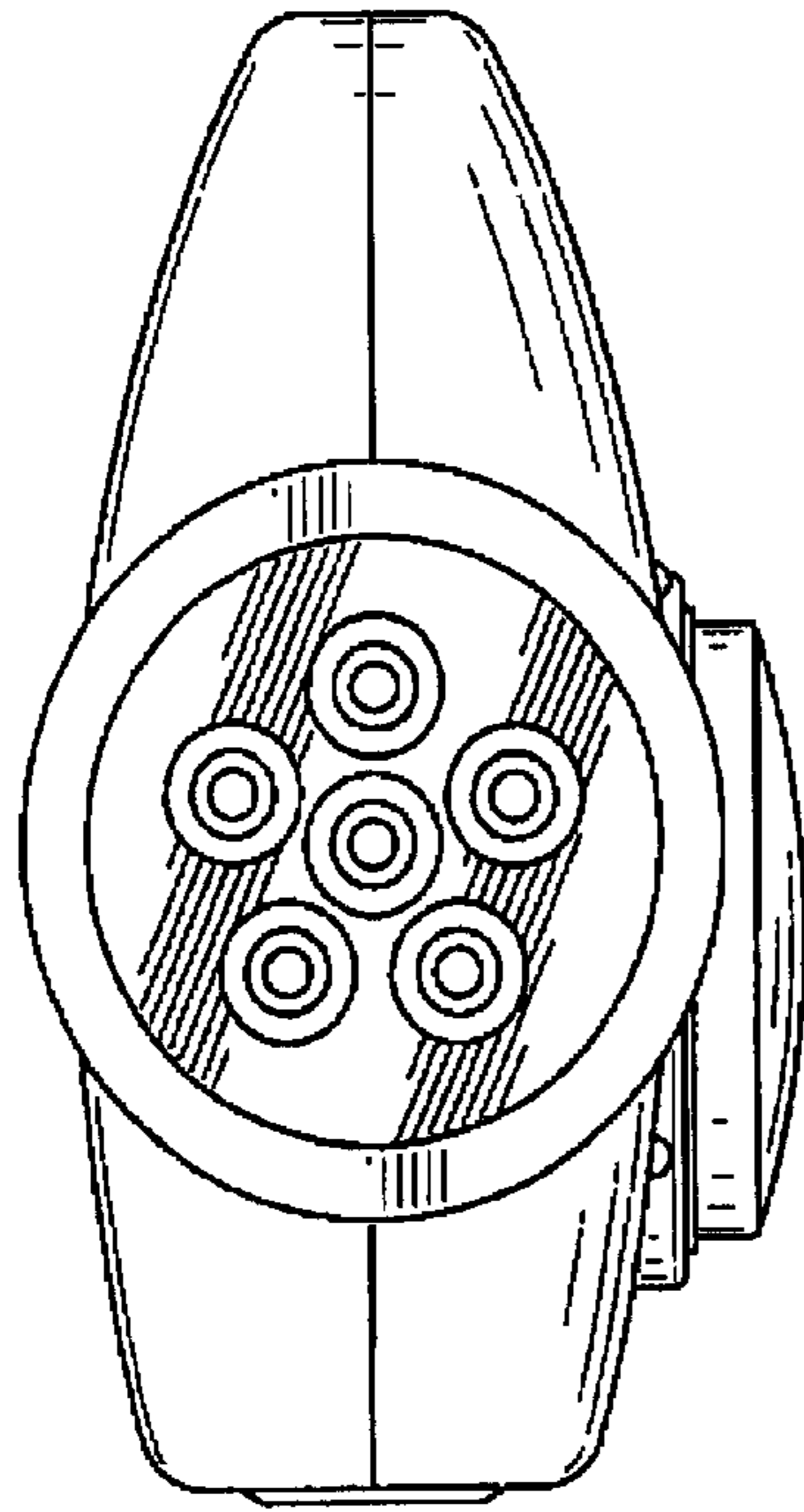


FIG. 5

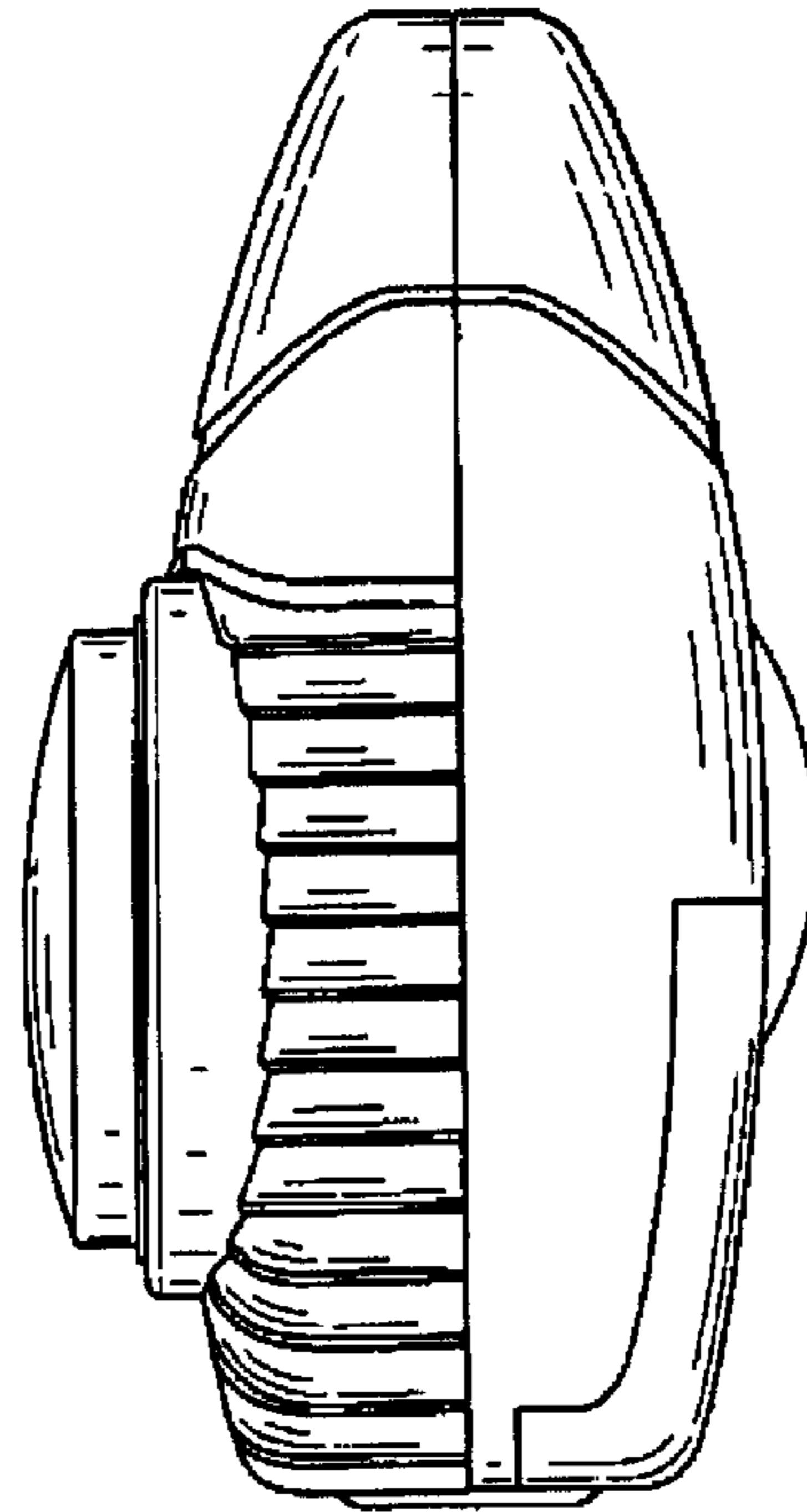


FIG. 6