



US00D543532S

(12) **United States Design Patent**
Isonaga

(10) **Patent No.:** **US D543,532 S**

(45) **Date of Patent:** **** May 29, 2007**

(54) **COMBINED DISC RECORDER, HARD DISC DRIVE AND VIDEO TAPE RECORDER**

JP	D1235842 S	4/2005
JP	D1247300 S	8/2005
JP	D1248396 S	8/2005
JP	D1248917 S	8/2005

(75) Inventor: **Yasuaki Isonaga**, Tokyo (JP)

(73) Assignee: **Sony Corporation**, Tokyo (JP)

(**) Term: **14 Years**

(21) Appl. No.: **29/245,824**

(22) Filed: **Dec. 30, 2005**

(51) **LOC (8) Cl.** **14-01**

(52) **U.S. Cl.** **D14/168**; D14/135; D14/136

(58) **Field of Classification Search** D14/135-136,
D14/156-157, 167-168, 496, 192-198, 188,
D14/257, 258, 445; 360/99.02, 99.07; 369/75.11,
369/75.21, 77.21, 77.11; 720/612, 619, 647,
720/655; 455/344, 347-351
See application file for complete search history.

(56) **References Cited**

U.S. PATENT DOCUMENTS

D429,706 S	*	8/2000	Miyazaki	D14/135
D460,428 S	*	7/2002	Kojima et al.	D14/136
D466,876 S	*	12/2002	Usami et al.	D14/136
D472,534 S	*	4/2003	Ueno et al.	D14/136
D483,728 S	*	12/2003	Kim	D14/136
D495,670 S	*	9/2004	Sakagami	D14/136
D502,696 S		3/2005	Ishibashi		
D503,693 S		4/2005	Tejima		
D506,984 S		7/2005	Oikawa		

FOREIGN PATENT DOCUMENTS

JP	D1136423 S	3/2002
JP	D1212573 S	7/2004
JP	D1215095 S	8/2004

OTHER PUBLICATIONS

Web page "RDR-VH93" <http://www.ecat.sony.co.jp/sugoroku/products/index.cfm?PD=21693&KM=RDR-VH93>, 1 sheet, Sony (Dec. 2005).

Web page "RDR-VH83" <http://www.ecat.sony.co.jp/sugoroku/products/index.cfm?PD=21692&KM=RDR-VH83>, 1 sheet, Sony (Dec. 2005).

Web page "RDR-VX30" <http://www.ecat.sony.co.jp/sugoroku/products/index.cfm?PD=21821&KM=RDR-VX30>, 1 sheet, Sony (Dec. 2005).

* cited by examiner

Primary Examiner—Nanda Bondade

(74) *Attorney, Agent, or Firm*—Rader, Fishman & Grauer, PLLC

(57) **CLAIM**

The ornamental design for a combined disc recorder, hard disc drive and video tape recorder, as shown.

DESCRIPTION

FIG. 1 is a perspective view of a combined disc recorder, hard disc drive and video tape recorder showing my new design;

FIG. 2 is a front elevational view thereof;

FIG. 3 is a rear elevational view thereof;

FIG. 4 is a left side elevational view thereof;

FIG. 5 is a right side elevational view thereof;

FIG. 6 is a top plan view thereof; and,

FIG. 7 is a bottom plan view thereof.

1 Claim, 7 Drawing Sheets

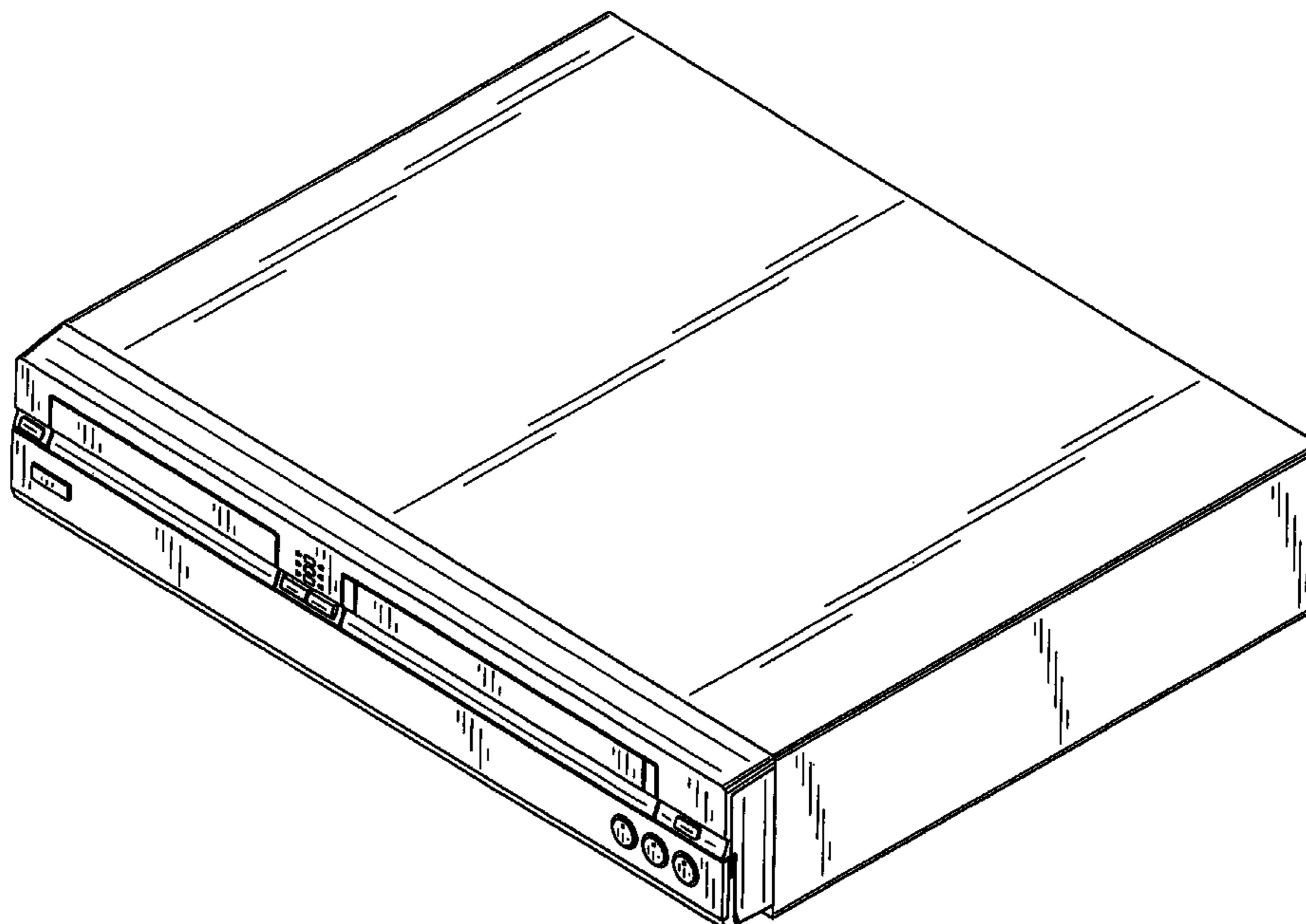


Fig.1

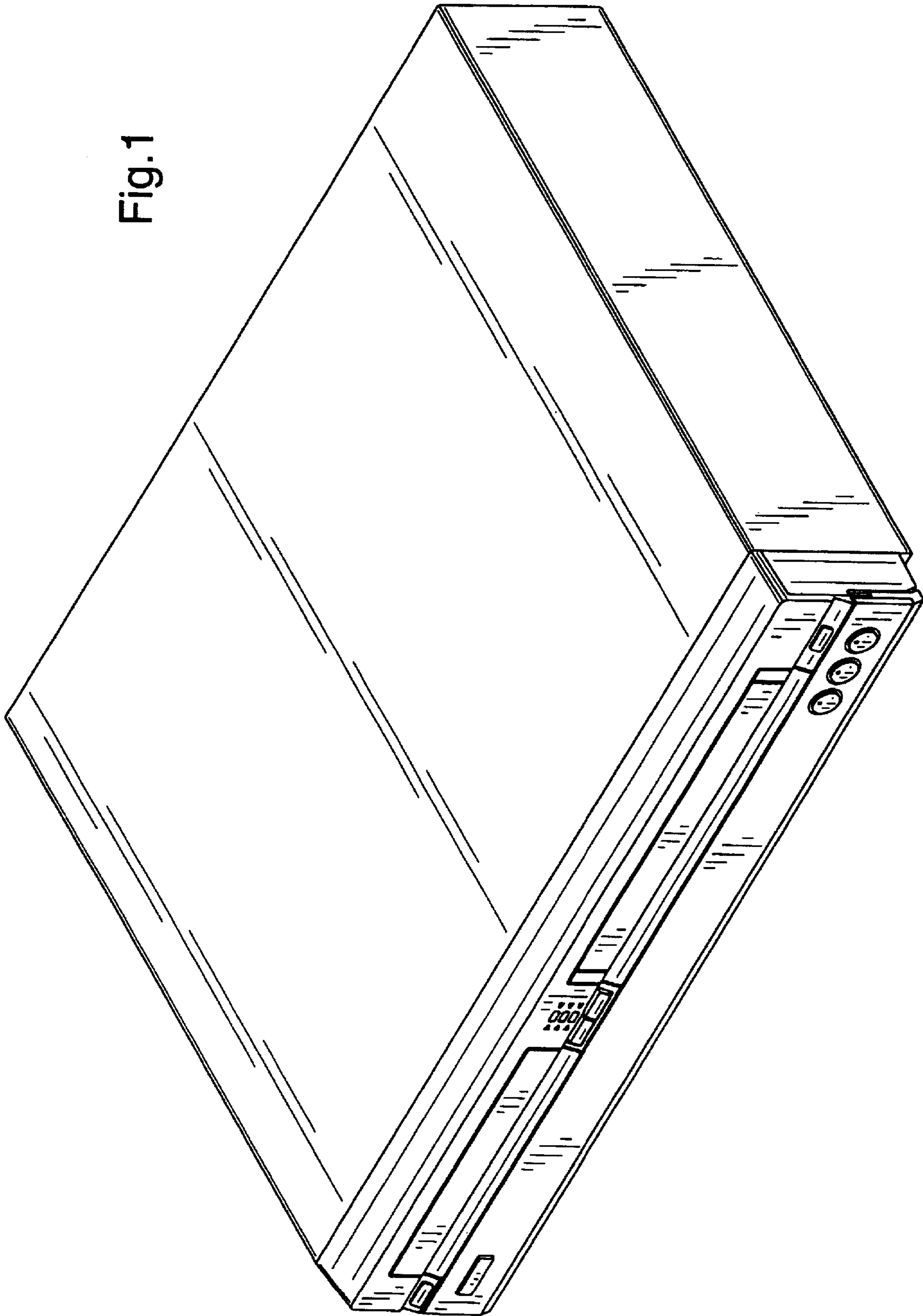


Fig.2

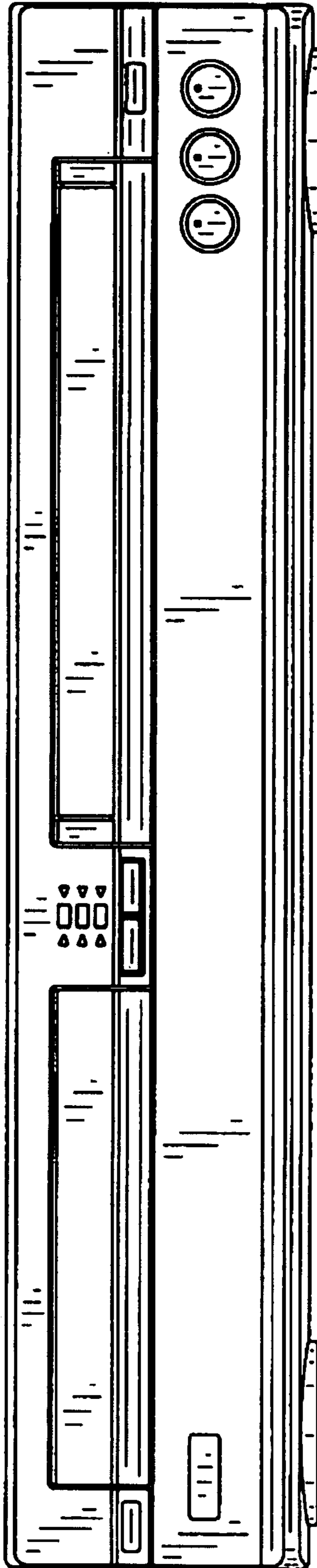


Fig.3

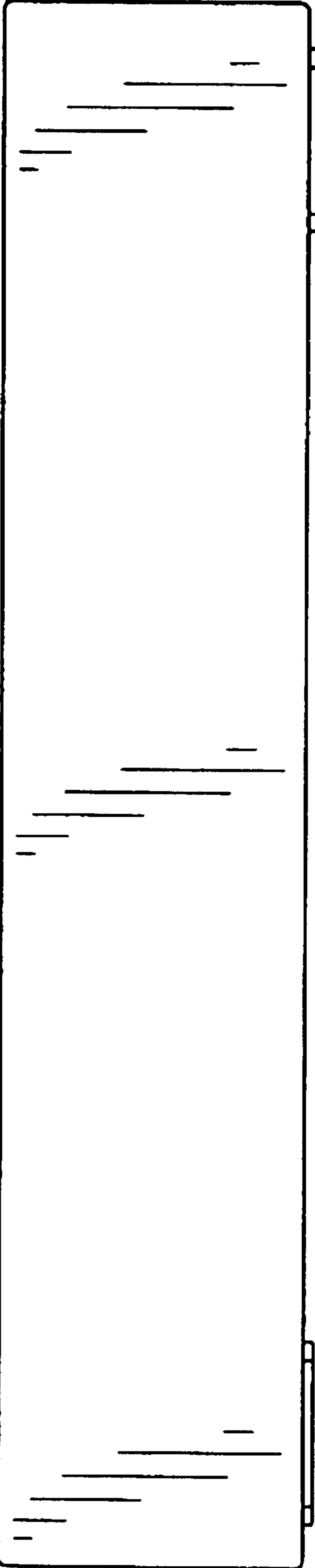


Fig.4

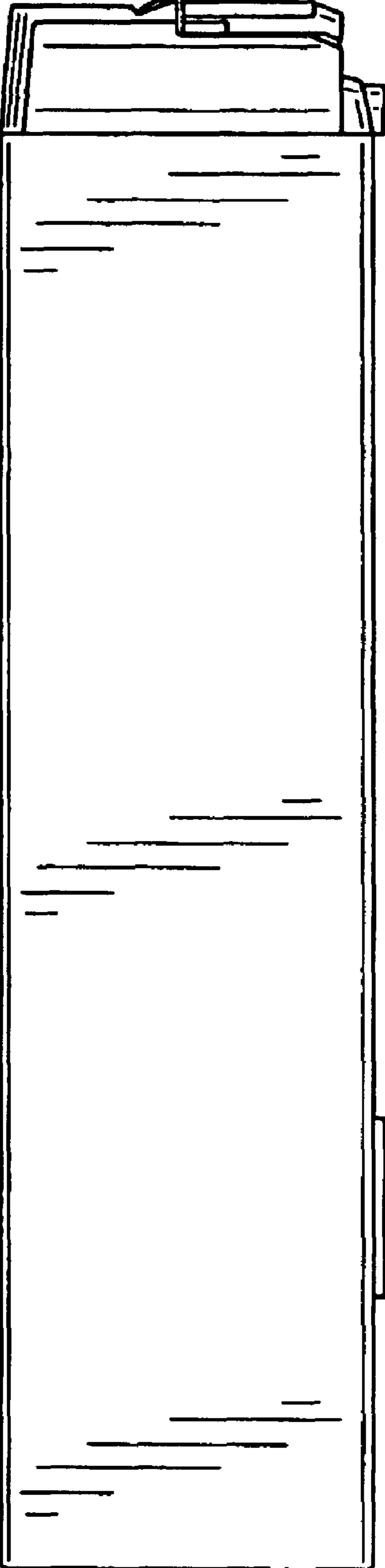
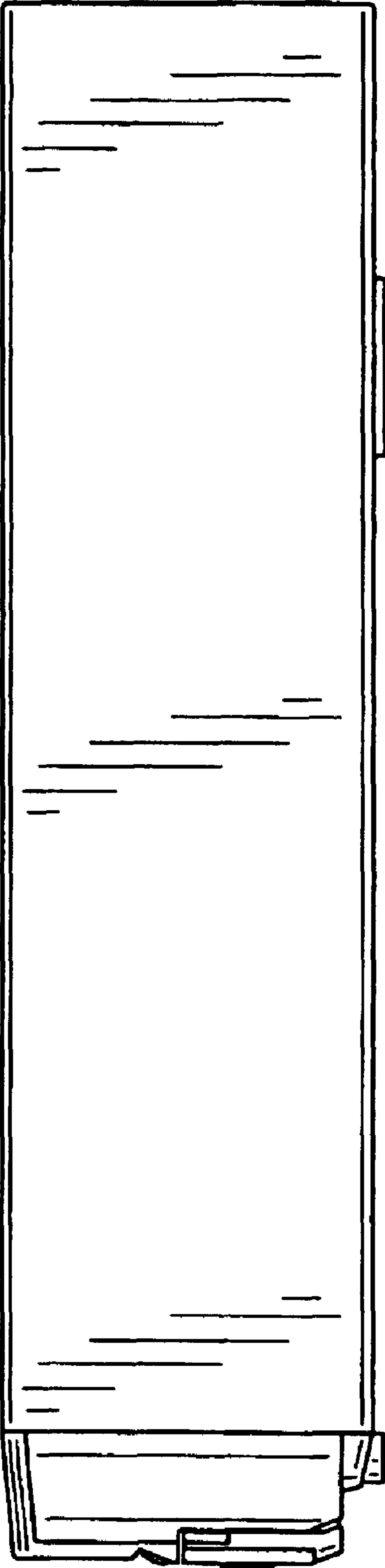


Fig.5



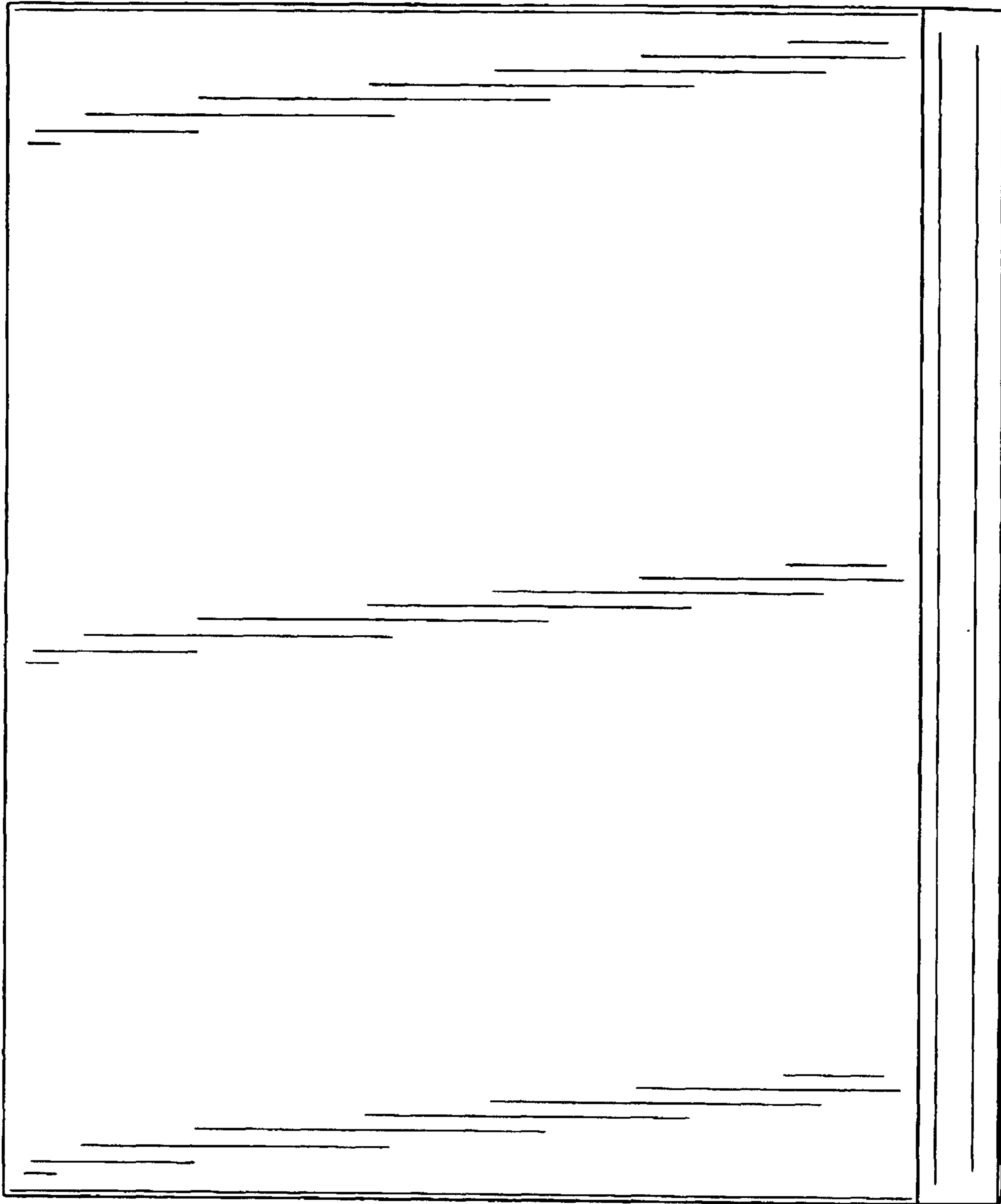


Fig.6

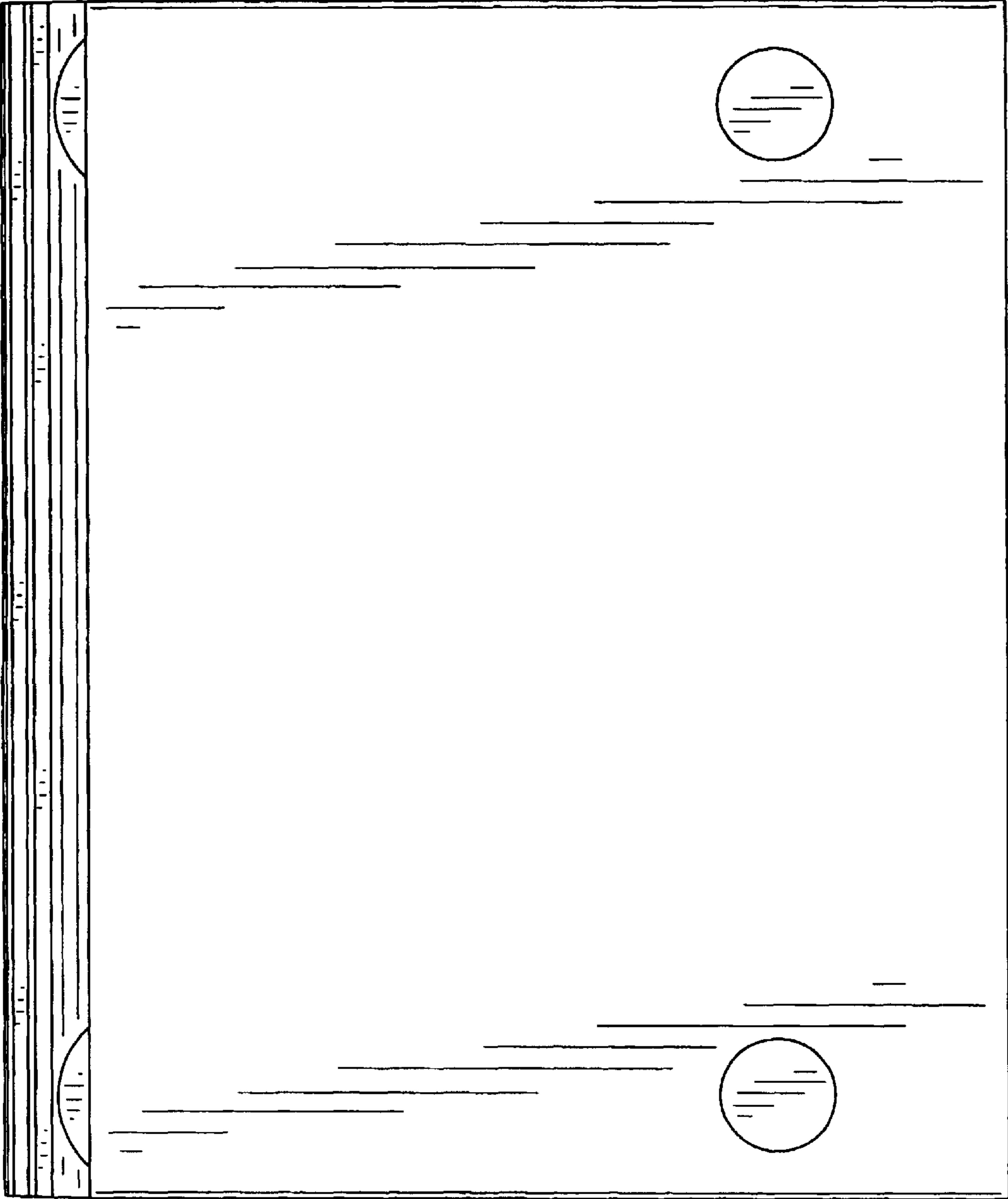


Fig. 7