

US00D543528S

(12) **United States Design Patent**
Kim et al.

(10) **Patent No.:** **US D543,528 S**

(45) **Date of Patent:** **** May 29, 2007**

(54) **MOBILE PHONE**

(75) Inventors: **Young-Sae Kim**, Los Altos, CA (US);
Chi-Young Ahn, Seoul (KR);
Young-Ju Yeo, Seoul (KR);
Chang-Hwan Hwang, Goyang-si (KR)

(73) Assignee: **Samsung Electronics Co., Ltd.**,
Suwon-Si (KR)

(**) Term: **14 Years**

(21) Appl. No.: **29/254,281**

(22) Filed: **Feb. 22, 2006**

(30) **Foreign Application Priority Data**

Nov. 18, 2005 (KR) 30-2005-0038970

(51) **LOC (8) Cl.** **14-03**

(52) **U.S. Cl.** **D14/138**

(58) **Field of Classification Search** D14/137-138,
D14/144, 156, 147-148, 247-248, 341-347,
D14/496; D21/329, 331, 333; 379/433.01-433.13;
348/14.01, 14.02, 376; 455/556.1, 556.2,
455/566, 575.1, 575.4, 90.3; D16/208
See application file for complete search history.

(56) **References Cited**

U.S. PATENT DOCUMENTS

6,675,027 B1 * 1/2004 Huang 455/575.1
D499,423 S * 12/2004 Bahroocha et al. D14/496
D506,753 S * 6/2005 Duarte et al. D14/346

D510,576 S * 10/2005 Summit et al. D14/341
D526,983 S * 8/2006 Gong et al. D14/138
D529,493 S * 10/2006 Ogasawara D14/356
D530,699 S * 10/2006 Lee et al. D14/138
D531,607 S * 11/2006 Kim et al. D14/138
2003/0125094 A1 * 7/2003 Hyun et al. 455/566
2005/0070348 A1 * 3/2005 Lee et al. 455/575.4

FOREIGN PATENT DOCUMENTS

WO DM/061134 * 8/2002

* cited by examiner

Primary Examiner—Ian Simmons

Assistant Examiner—Carla Jobe Wright

(74) *Attorney, Agent, or Firm*—Staas & Halsey LLP

(57) **CLAIM**

The ornamental design for a mobile phone, as shown and described.

DESCRIPTION

FIG. 1 is a perspective view of the mobile phone showing our design;

FIG. 2 is a front view thereof;

FIG. 3 is a rear view thereof;

FIG. 4 is a left side view thereof;

FIG. 5 is a right side view thereof;

FIG. 6 is a top plan view thereof;

FIG. 7 is a bottom plan view thereof; and,

FIG. 8 is a perspective, open view thereof.

1 Claim, 7 Drawing Sheets

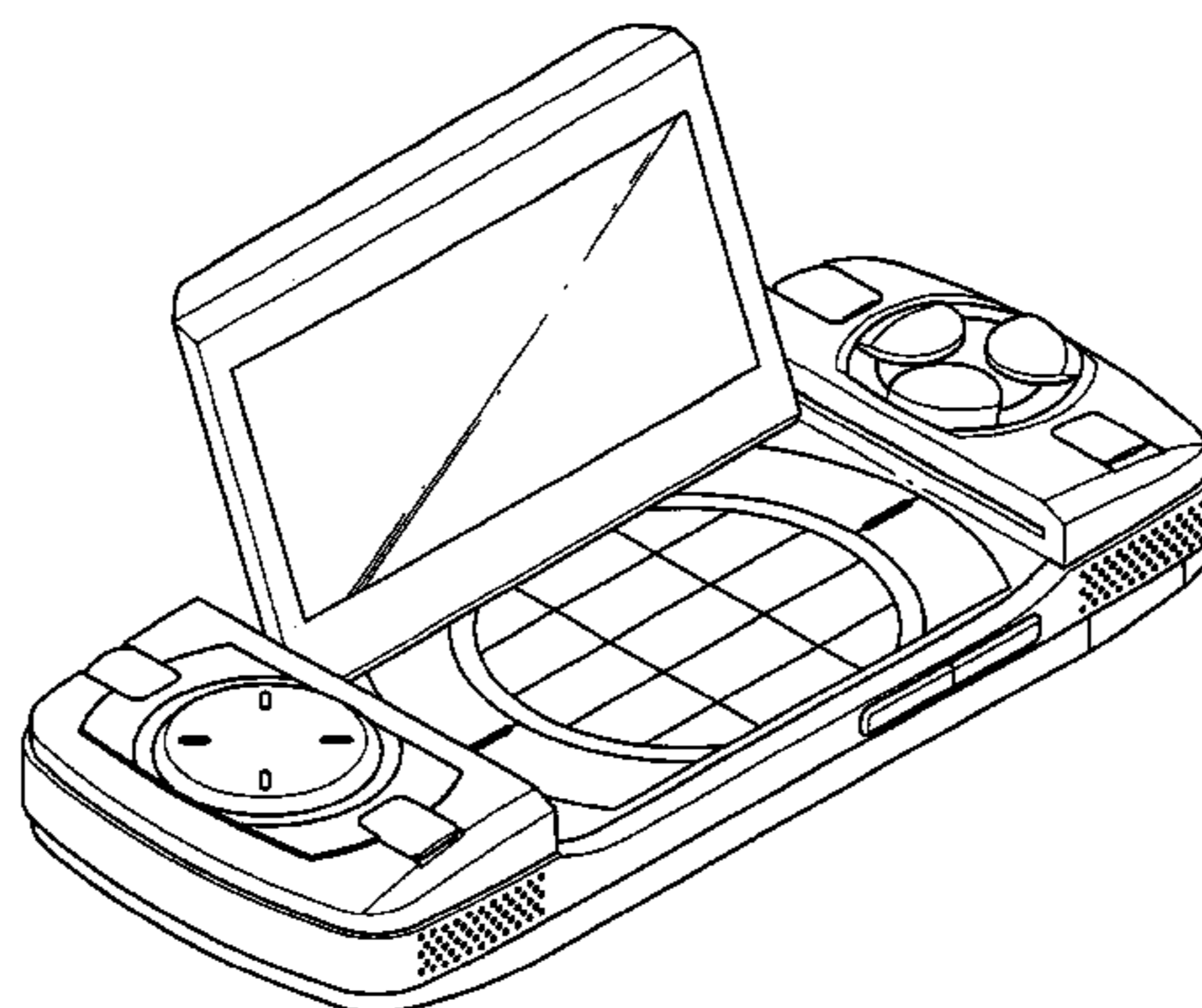
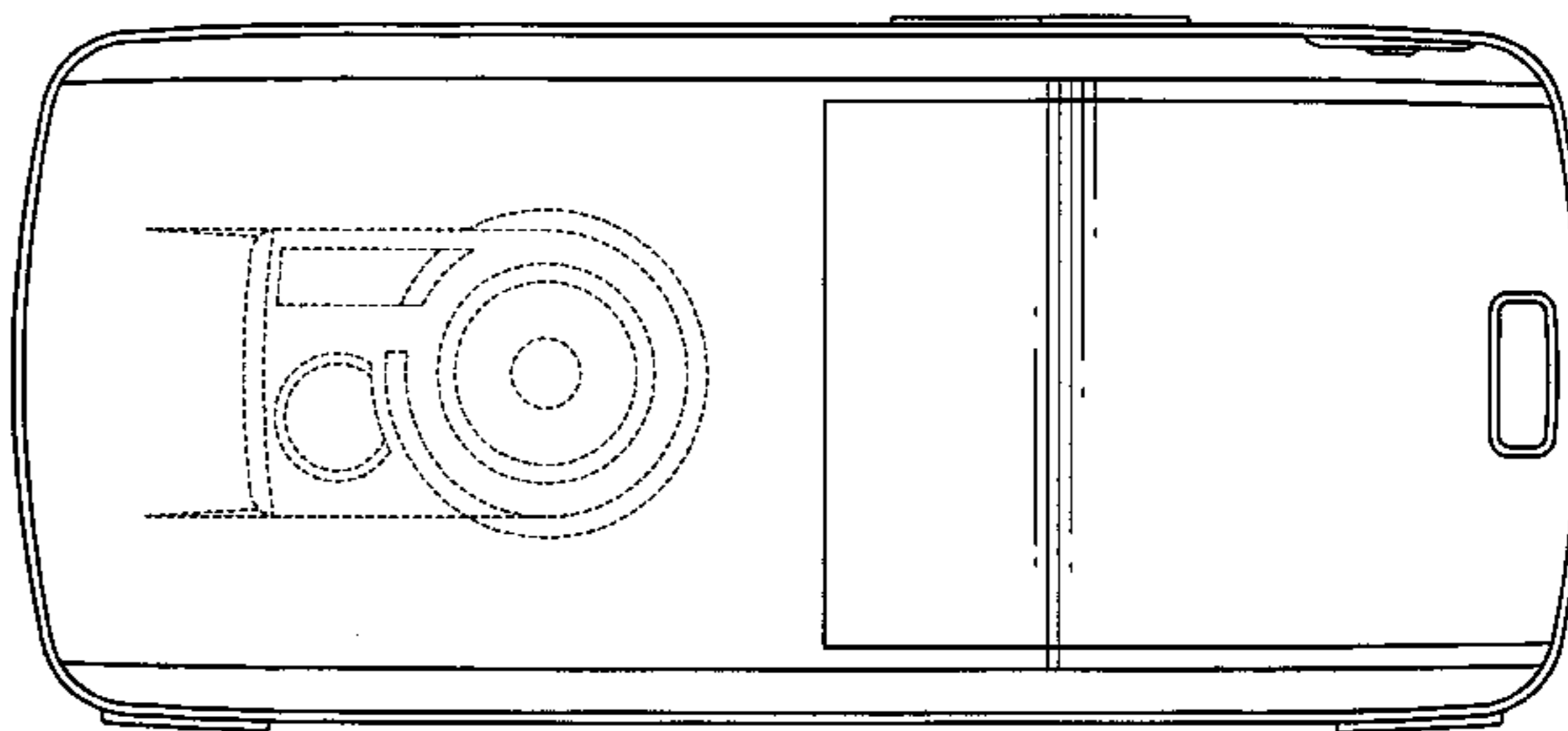
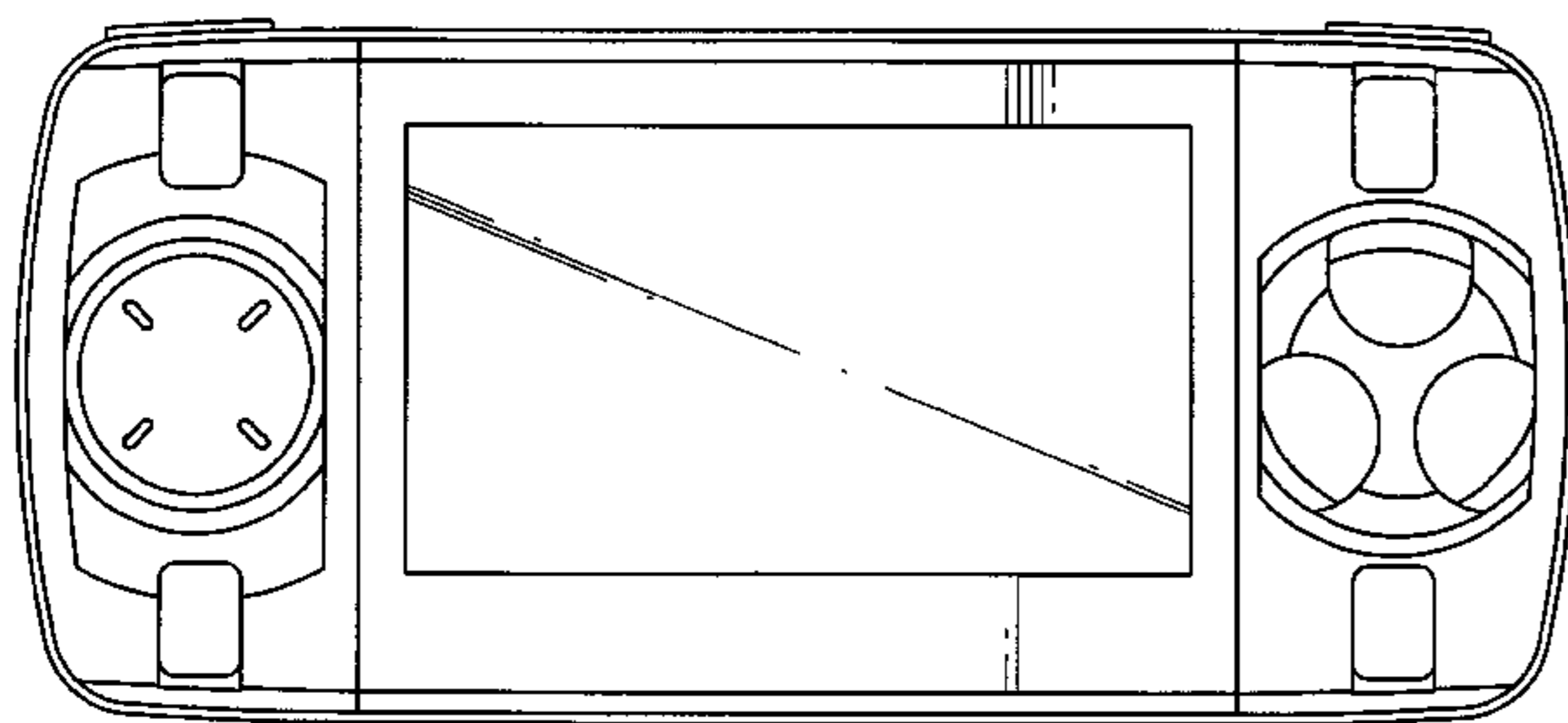


FIG. 1

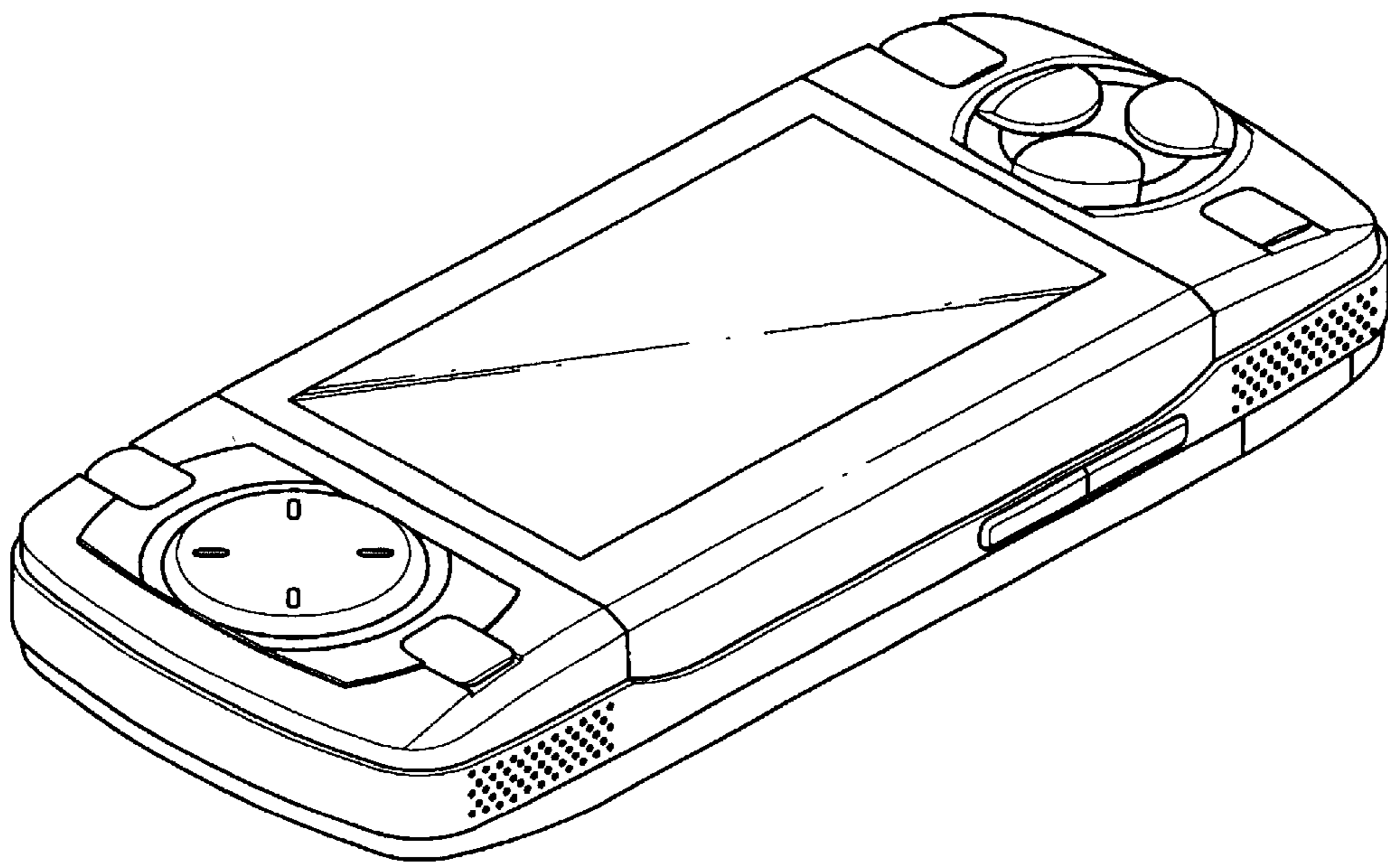


FIG. 2

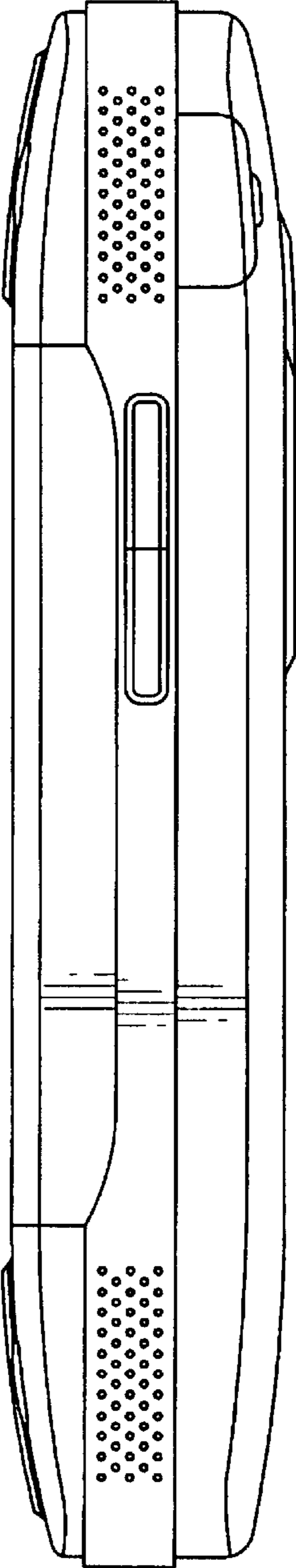


FIG. 3

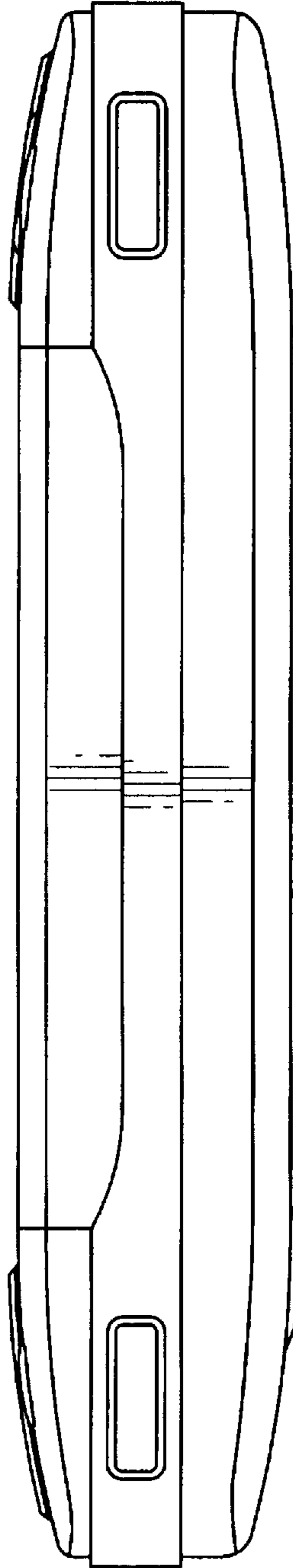


FIG. 4

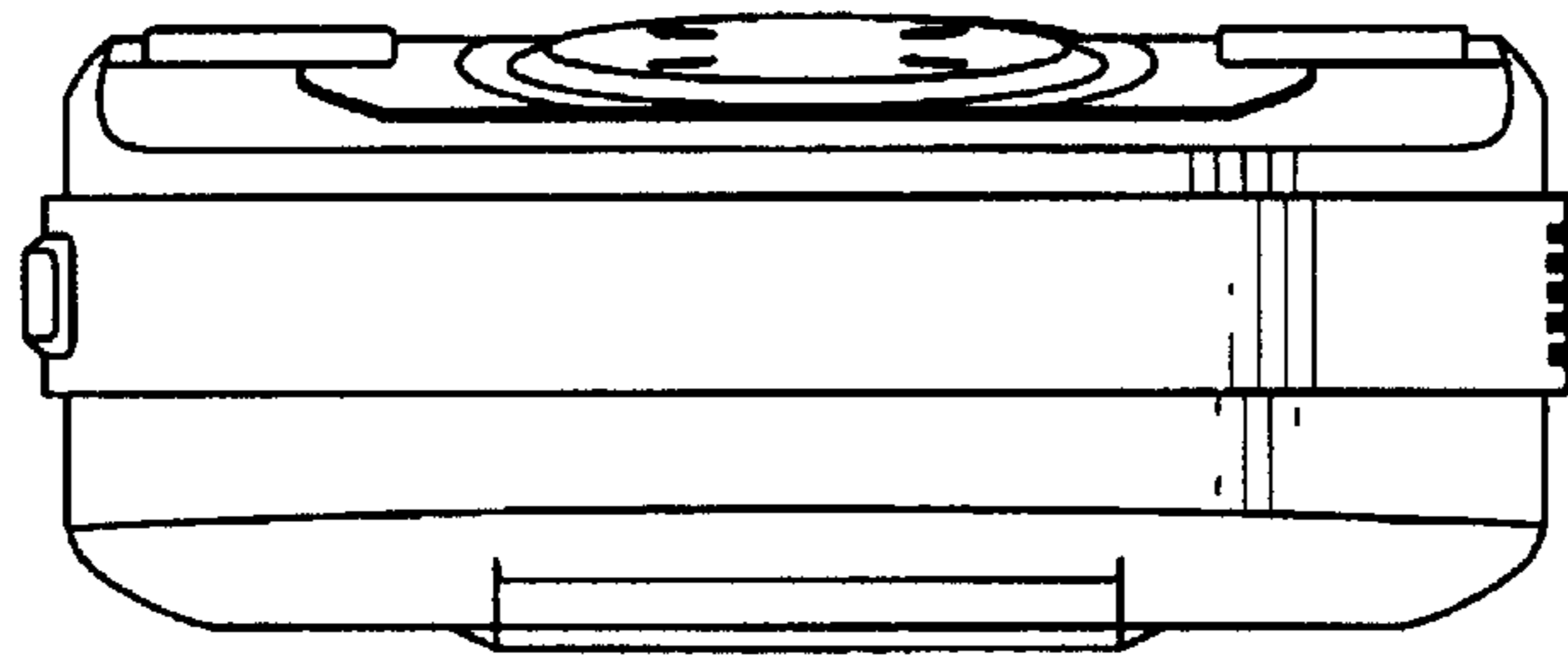


FIG. 5

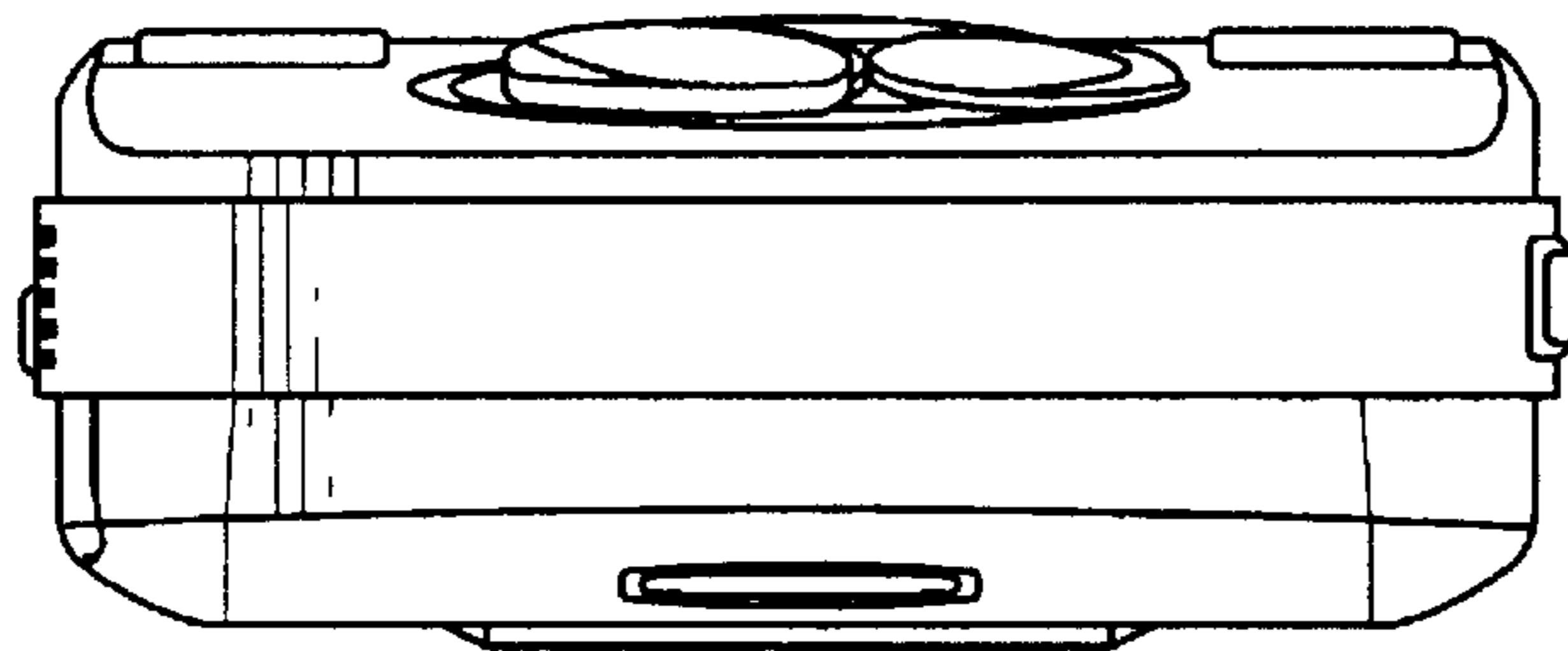


FIG. 6

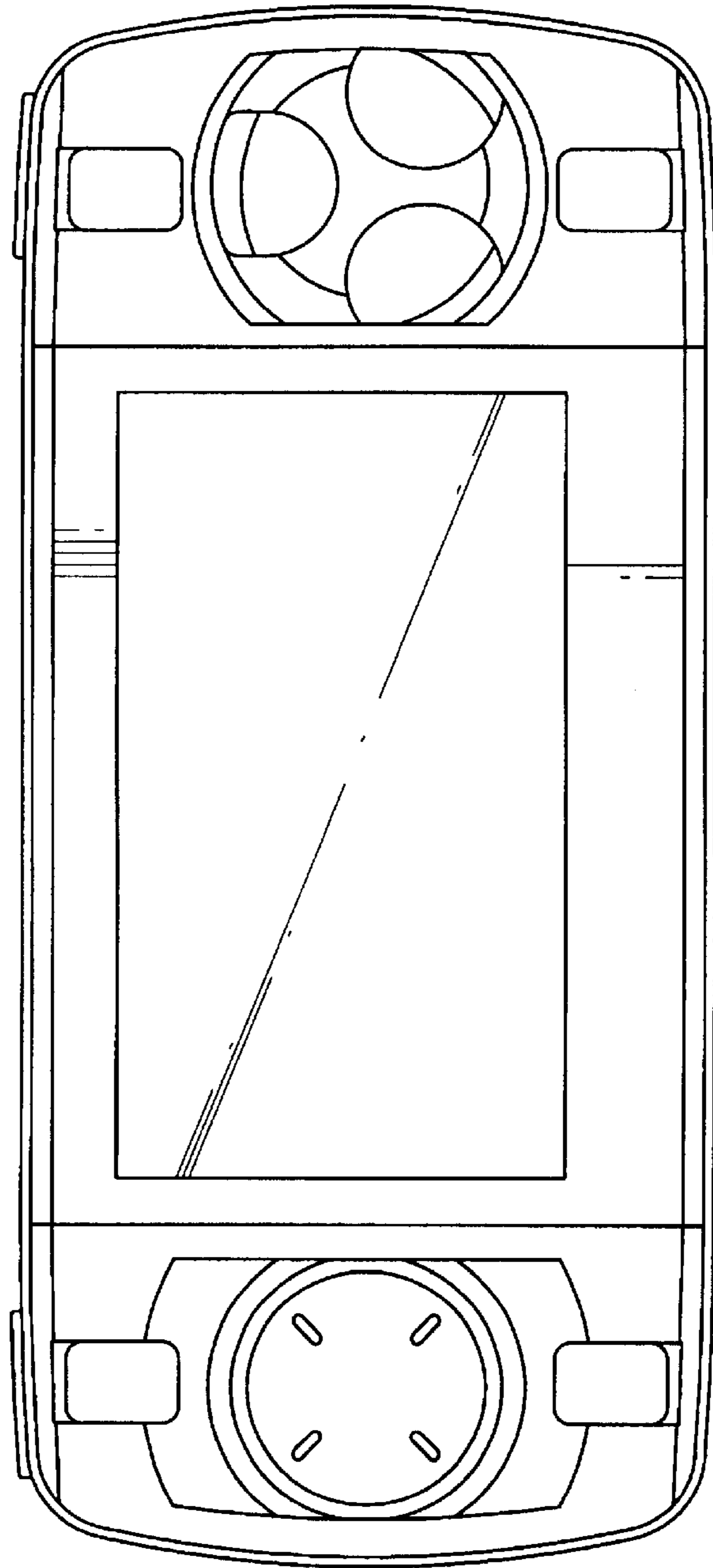


FIG. 7

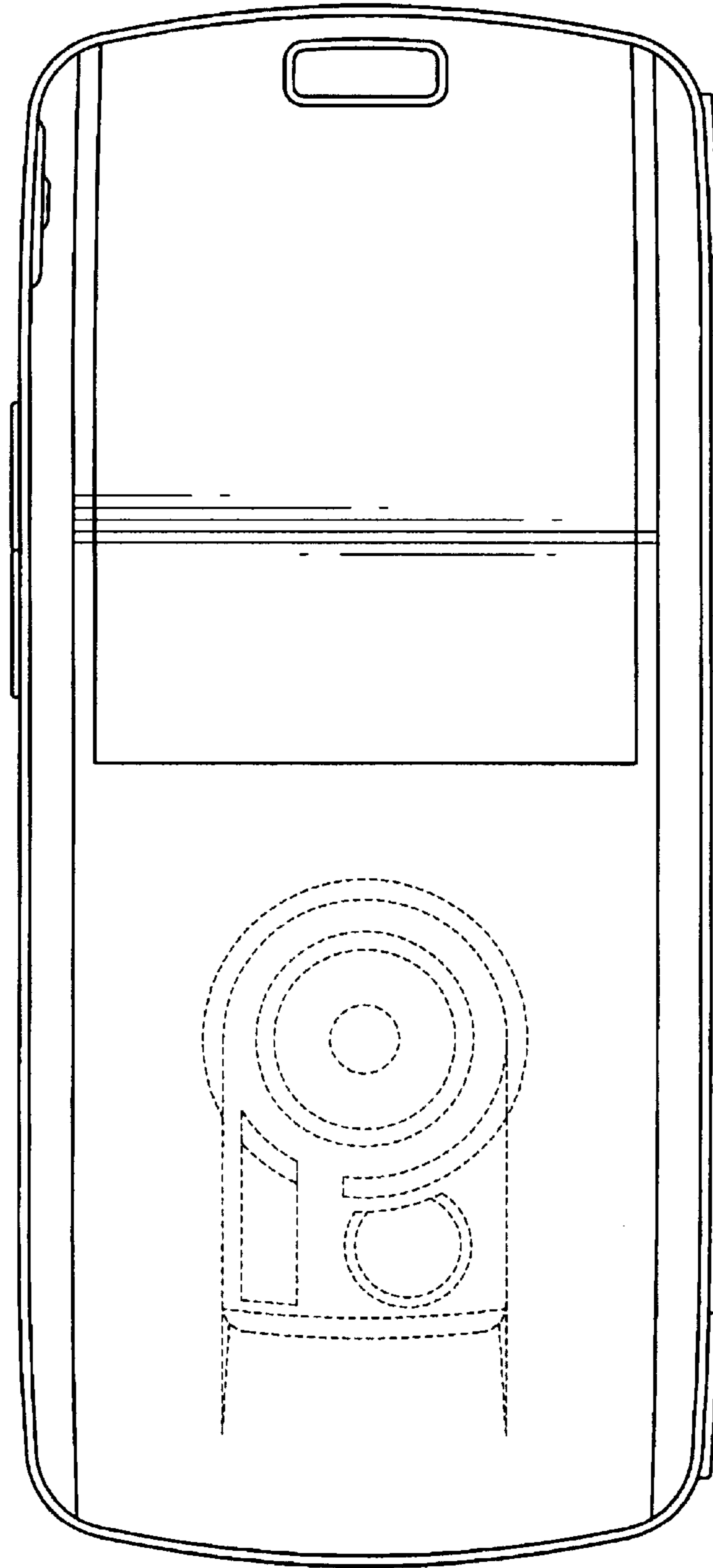


FIG. 8

