



US00D543527S

(12) **United States Design Patent**
Ra

(10) **Patent No.:** **US D543,527 S**

(45) **Date of Patent:** **** May 29, 2007**

(54) **FOLDER-TYPE CELLULAR PHONE WITH DIGITAL CAMERA**

(76) Inventor: **Chan Ha Ra**, 201Ho, 852-1, Seojeong-dong, Pyeongtaek-si, Gyeonggi-do (KR)

(**) Term: **14 Years**

(21) Appl. No.: **29/252,565**

(22) Filed: **Jan. 25, 2006**

(30) **Foreign Application Priority Data**

Aug. 11, 2005 (KR) 30-2005-0027021

(51) **LOC (8) Cl.** **14-03**

(52) **U.S. Cl.** **D14/138**

(58) **Field of Classification Search** D14/137-138, D14/144, 167, 147-148, 150, 218, 240, 242, D14/247-248, 341-347; D21/517; 379/433.01-433.13, 379/434; 455/575.1, 566, 556.1, 550.1-90.3; D10/104; D18/7; D13/168

See application file for complete search history.

(56) **References Cited**

U.S. PATENT DOCUMENTS

- D291,438 S * 8/1987 Banko D14/150
- D345,357 S * 3/1994 Kim D14/150
- D443,293 S * 6/2001 Chan D18/7
- D468,279 S * 1/2003 Kim et al. D14/138
- D475,987 S * 6/2003 Lee et al. D14/138
- D500,297 S * 12/2004 Chan D14/148

- D511,764 S * 11/2005 Tokioka D14/167
- D512,395 S 12/2005 Kim et al.
- D513,505 S 1/2006 Lee
- D525,230 S * 7/2006 Kim et al. D14/138
- 2002/0094846 A1 * 7/2002 Kishimoto et al. 455/566
- 2003/0199290 A1 * 10/2003 Viertola 455/575.1

* cited by examiner

Primary Examiner—Charles A. Rademaker

Assistant Examiner—Carla Jobe Wright

(74) *Attorney, Agent, or Firm*—Stites & Harbison PLLC; Douglas E. Jackson

(57) **CLAIM**

The ornamental design for a folder-type cellular phone with digital camera, as shown and described.

DESCRIPTION

FIG. 1 is a perspective front, top and left side view of the folder-type cellular phone with digital camera showing my new design.

FIG. 2 is front view thereof.

FIG. 3 is a rear view thereof.

FIG. 4 is a left side view thereof.

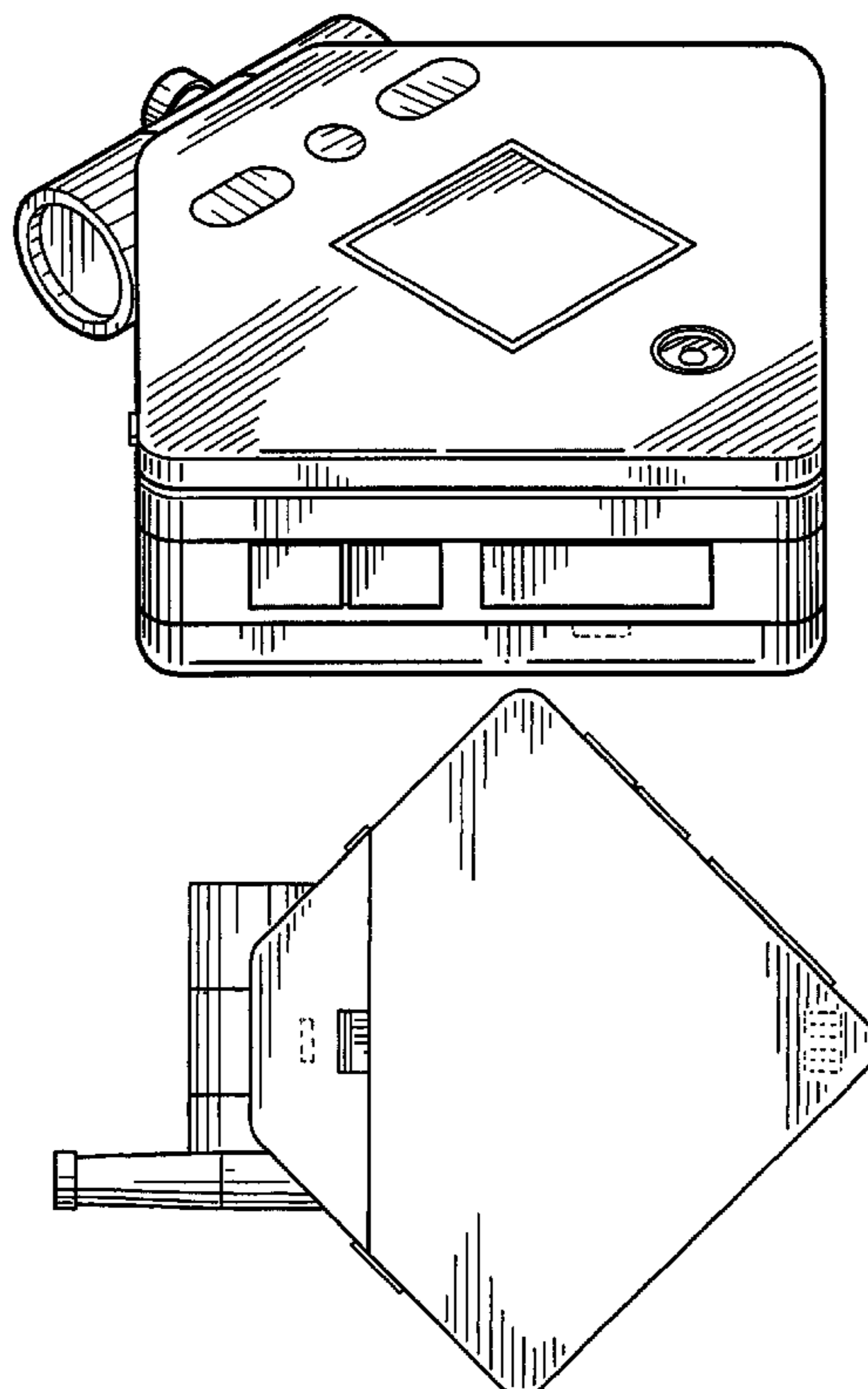
FIG. 5 is a right side view thereof.

FIG. 6 is a top view thereof; and,

FIG. 7 is a bottom view thereof.

The broken line showing of environmental features is for illustrative purposes only and forms no part of the claimed design.

1 Claim, 4 Drawing Sheets



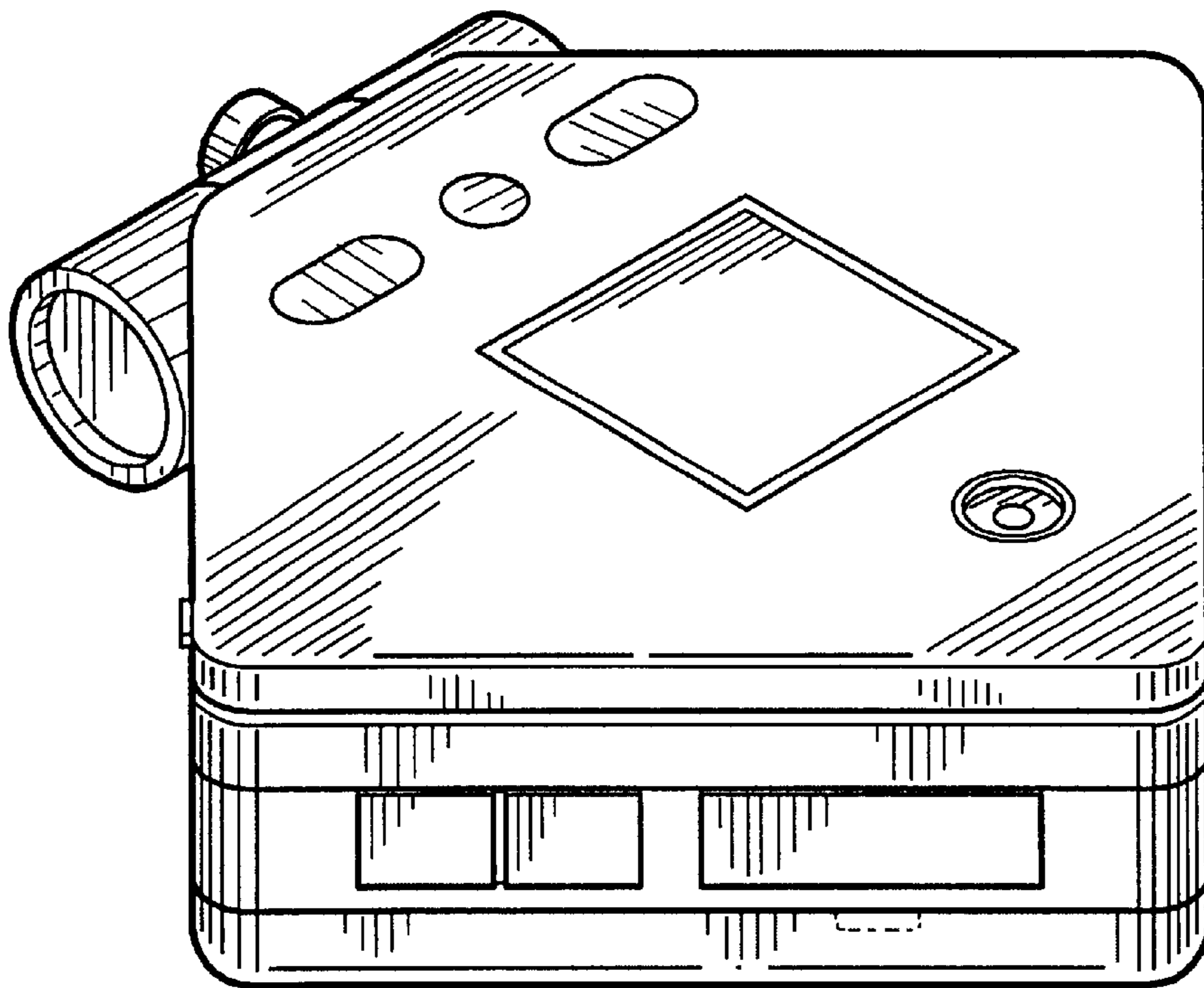


FIG. 1

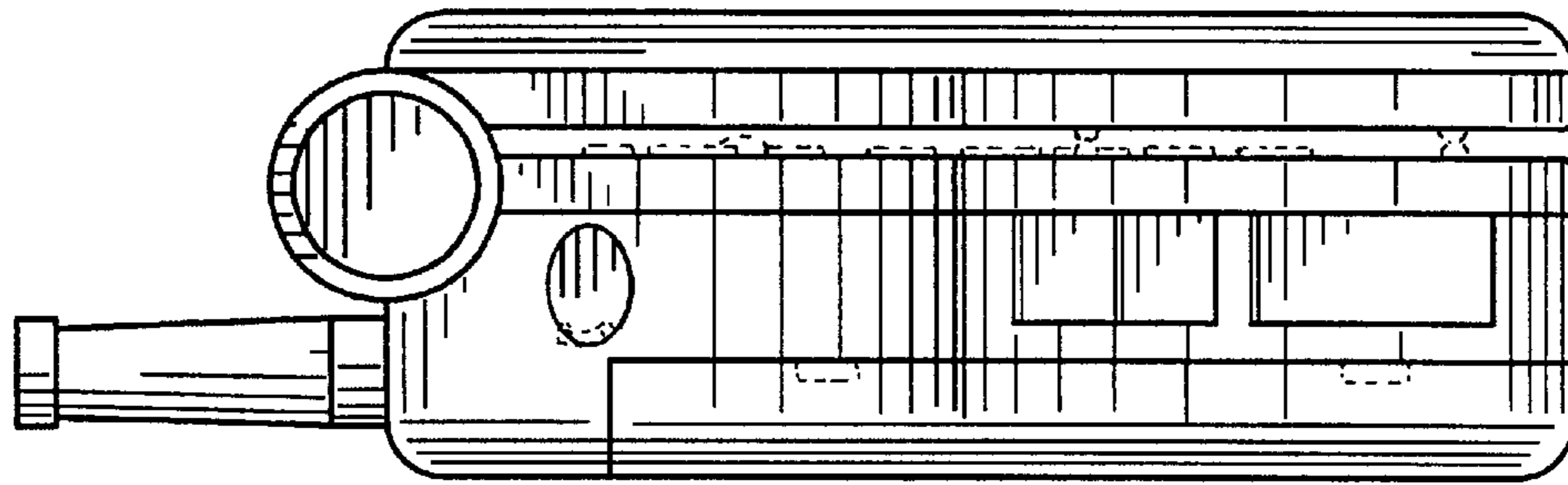


FIG. 2

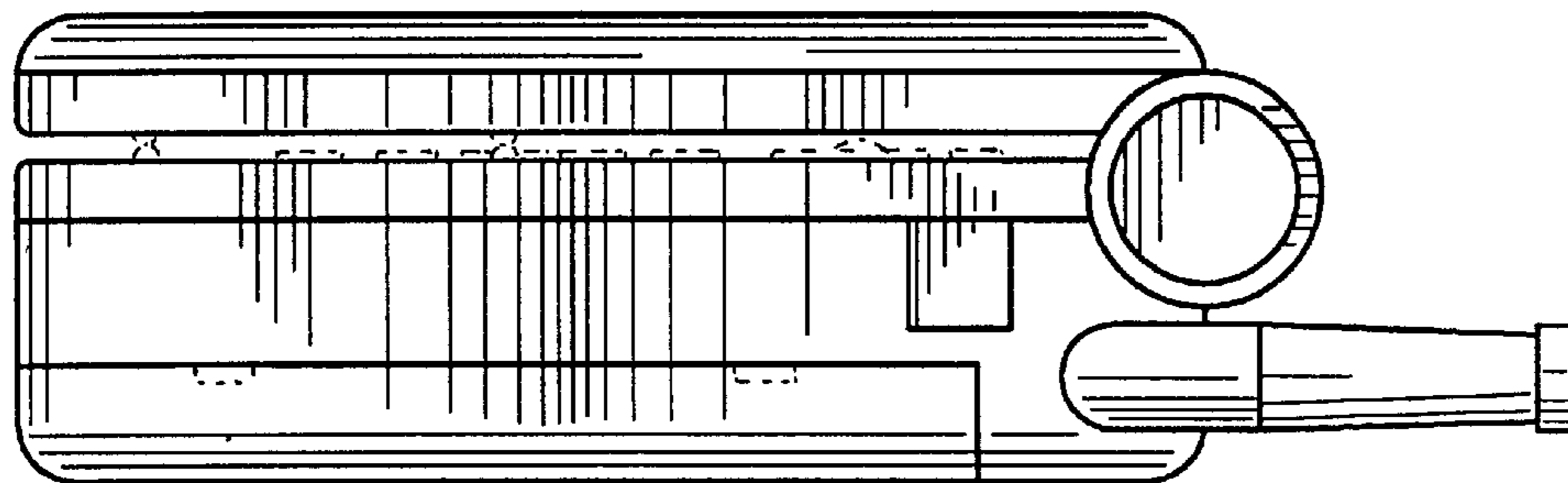


FIG. 3

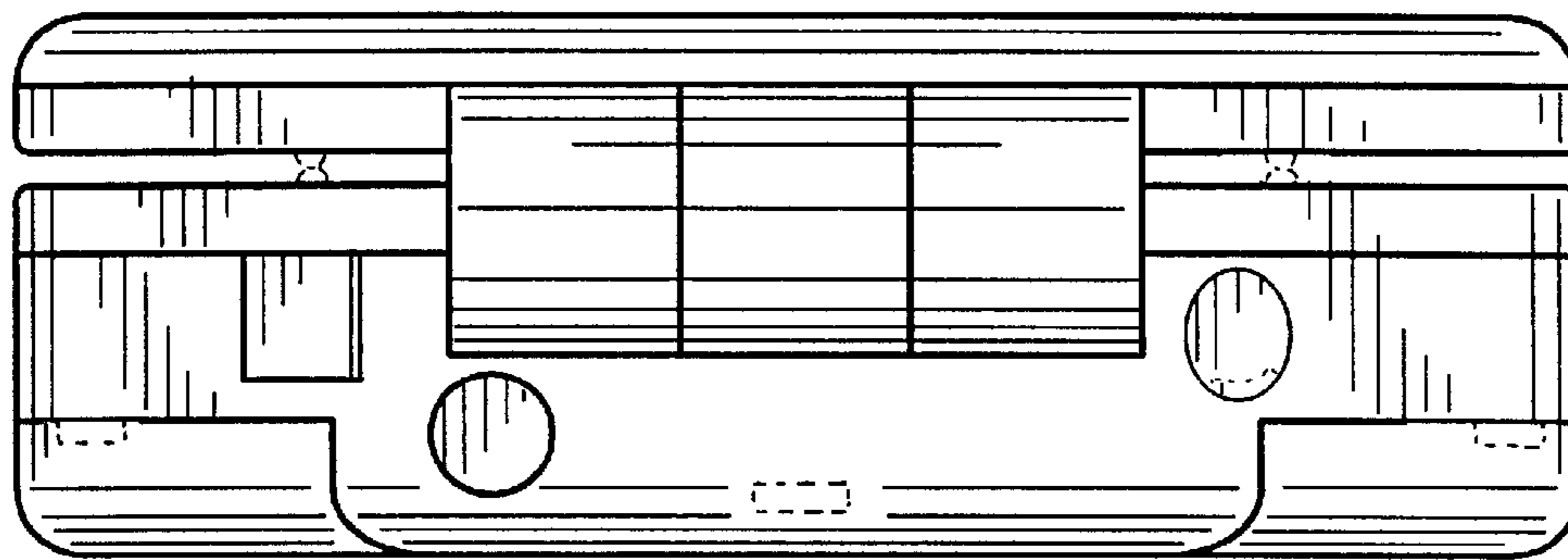


FIG. 4

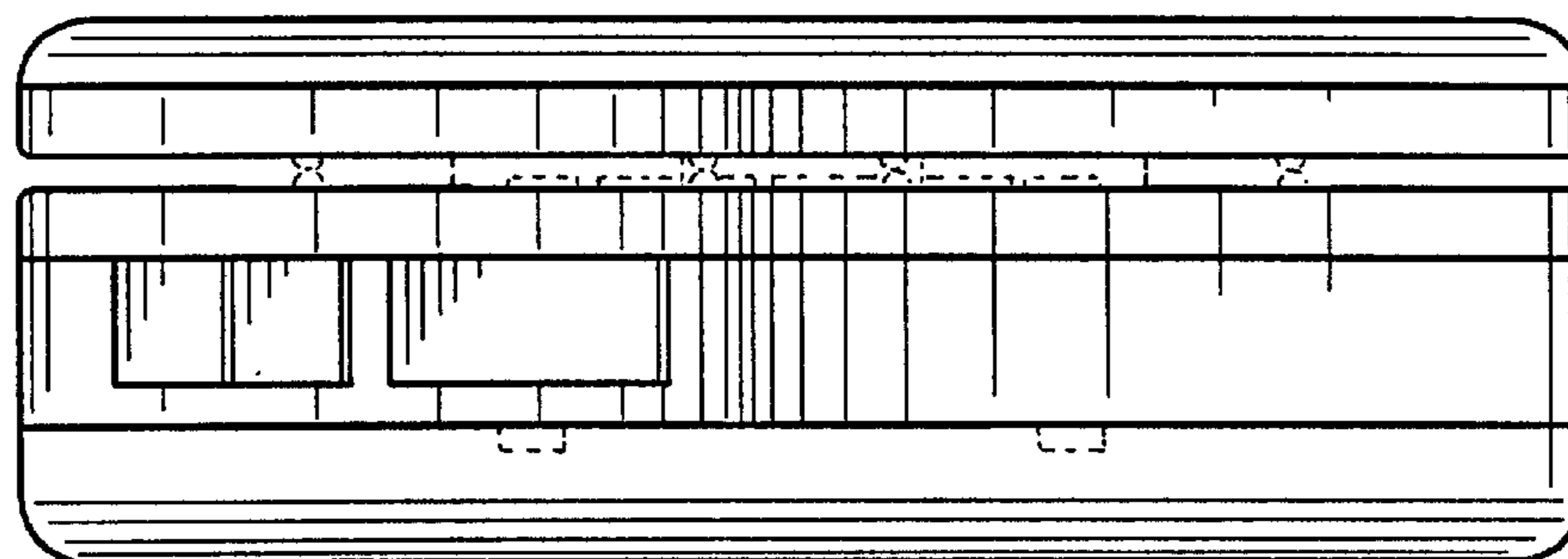


FIG. 5

FIG. 6

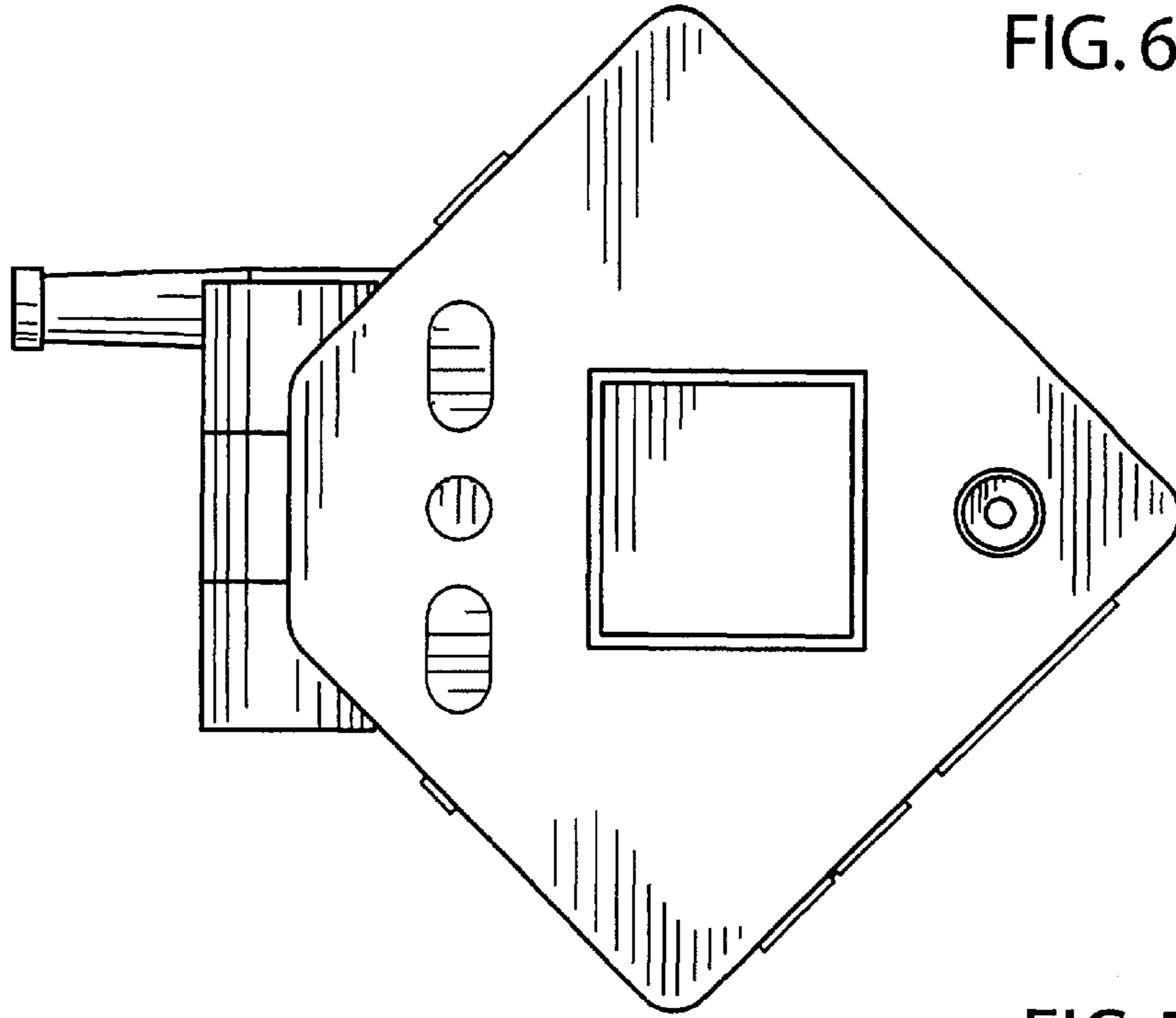


FIG. 7

