

US00D543523S

(12) **United States Design Patent** (10) **Patent No.:** **US D543,523 S**
Lee et al. (45) **Date of Patent:** **** May 29, 2007**

(54) **MOBILE PHONE**

(75) Inventors: **Ja-Youn Lee**, Seoul (KR); **Bum-Soo Park**, Gwangmyeong-si (KR); **Jong-Seong Lee**, Seoul (KR); **Chang-Hwan Hwang**, Goyang-si (KR)

(73) Assignee: **Samsung Electronics Co., Ltd.**, Suwon-Si (KR)

(**) Term: **14 Years**

(21) Appl. No.: **29/233,504**

(22) Filed: **Jul. 6, 2005**

(30) **Foreign Application Priority Data**

Jan. 6, 2005 (KR) 30-2005-0000358

(51) **LOC (8) Cl.** **14-03**

(52) **U.S. Cl.** **D14/138**

(58) **Field of Classification Search** D14/137, D14/138, 147, 218, 341-347; 455/90.3, 556.1, 455/556.2, 575.1, 575.3, 575.4; 379/433.01-433.13; 361/814; 348/14.02

See application file for complete search history.

(56) **References Cited**

U.S. PATENT DOCUMENTS

D485,819 S	*	1/2004	Ahlgren	D14/138
D487,069 S	*	2/2004	Thaler et al.	D14/138
D492,276 S	*	6/2004	Walliser et al.	D14/138
D492,660 S	*	7/2004	Kim et al.	D14/138
D494,561 S	*	8/2004	Kagami et al.	D14/138
D496,921 S	*	10/2004	Hwang	D14/138
D502,933 S	*	3/2005	Munstermann	D14/138
D505,932 S	*	6/2005	Eckholm et al.	D14/138
D513,741 S	*	1/2006	Jensfelt	D14/138
D514,538 S	*	2/2006	Chan et al.	D14/138
D515,541 S	*	2/2006	Jensfelt	D14/138
D515,543 S	*	2/2006	Shintani	D14/138
D524,275 S	*	7/2006	Shin	D14/138
D524,782 S	*	7/2006	Sun et al.	D14/138
D525,228 S	*	7/2006	Kim et al.	D14/138
D526,636 S	*	8/2006	Kim et al.	D14/138
D529,471 S	*	10/2006	Park	D14/138

D530,696 S	*	10/2006	Lee	D14/138
D530,697 S	*	10/2006	Wei et al.	D14/138
D531,976 S	*	11/2006	Kim et al.	D14/138
D532,767 S	*	11/2006	Yoshino et al.	D14/138
2004/0204060 A1	*	10/2004	Makinouchi et al.	455/556.1
2005/0186987 A1	*	8/2005	Liu	455/556.1
2006/0025184 A1	*	2/2006	Cho et al.	455/575.4
2006/0100004 A1	*	5/2006	Kim et al.	455/575.3
2006/0188091 A1	*	8/2006	Chen	379/433.01

FOREIGN PATENT DOCUMENTS

WO	DM/066628	*	5/2005
WO	DM/067469	*	1/2006
WO	DM/068186	*	8/2006
WO	DM/068215	*	10/2006

OTHER PUBLICATIONS

Samsung i300x, announced 1st quarter 2006, [online], [retrieved on Dec. 1, 2006]. Retrieved from Internet ,<URL: <http://www.gsmarena.com>>.*

Samsung i300, announced 1st quarter 2005, [online], [retrieved on Dec. 1, 2006]. Retrieved from Internet ,<URL: <http://www.gsmarena.com>>.*

Samsung X140, announced 1st quarter 2005, [online], [retrieved on Dec. 1, 2006]. Retrieved from Internet ,<URL: <http://www.gsmarena.com>>.*

* cited by examiner

Primary Examiner—Jeffrey Asch

Assistant Examiner—Bridget L. Eland

(74) *Attorney, Agent, or Firm*—Staas & Halsey LLP

(57) **CLAIM**

The ornamental design for the mobile phone, as shown and described.

DESCRIPTION

FIG. 1 is a perspective view of a mobile phone; FIG. 2 is a front view of the mobile phone of FIG. 1; FIG. 3 is a rear view of the mobile phone of FIG. 1; FIG. 4 is a left side view of the mobile phone of FIG. 1; FIG. 5 is a right side view of the mobile phone of FIG. 1; FIG. 6 is a top plan view of the mobile phone of FIG. 1; and, FIG. 7 is a bottom plan view of the mobile phone of FIG. 1.

1 Claim, 3 Drawing Sheets

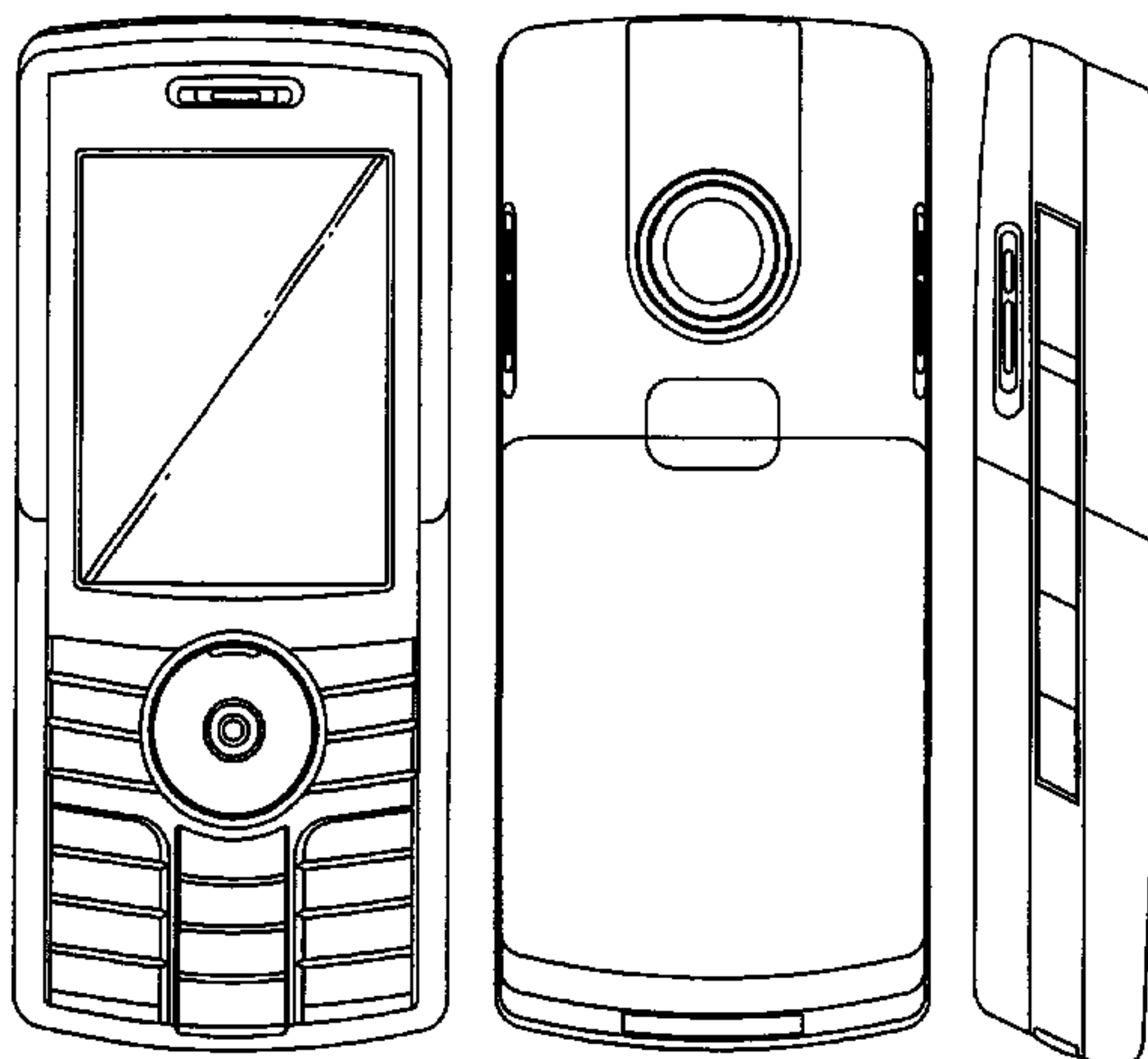


FIG. 1

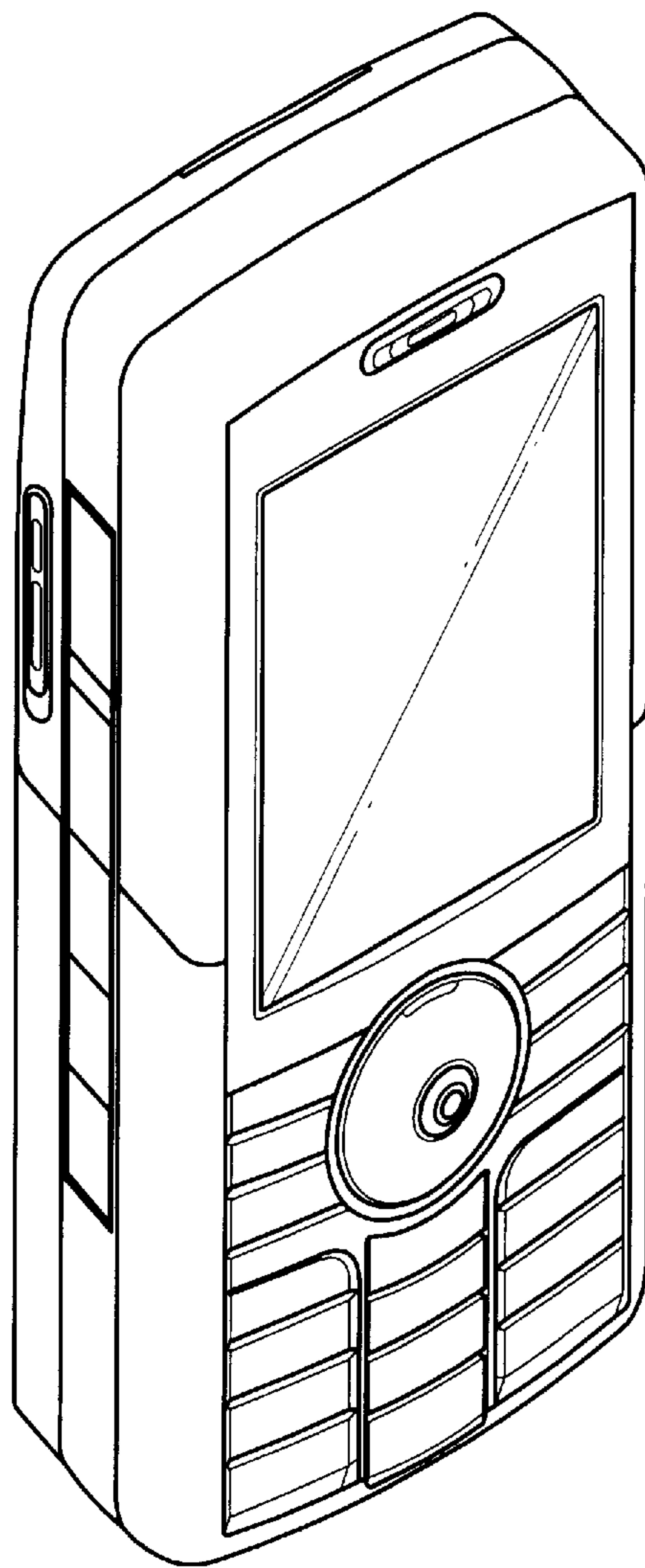


FIG.2

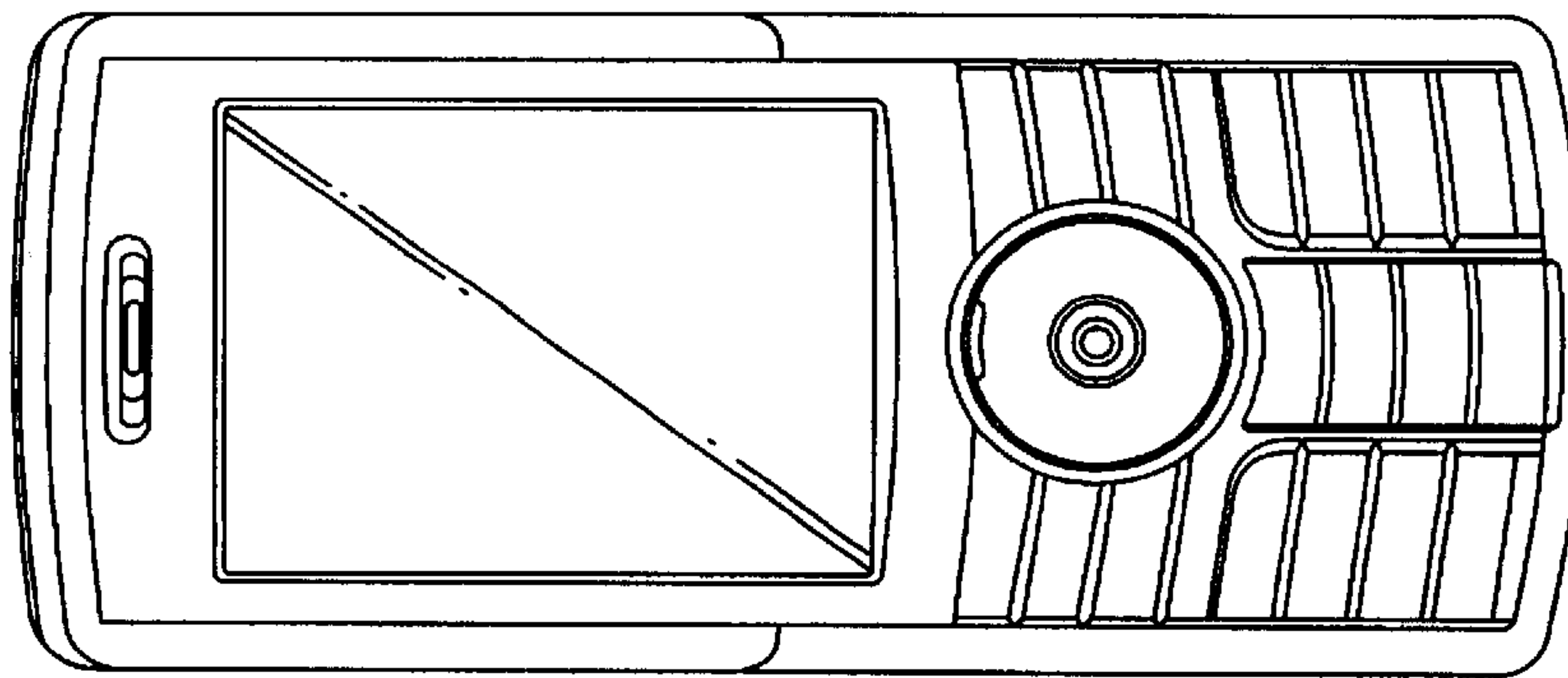


FIG.3

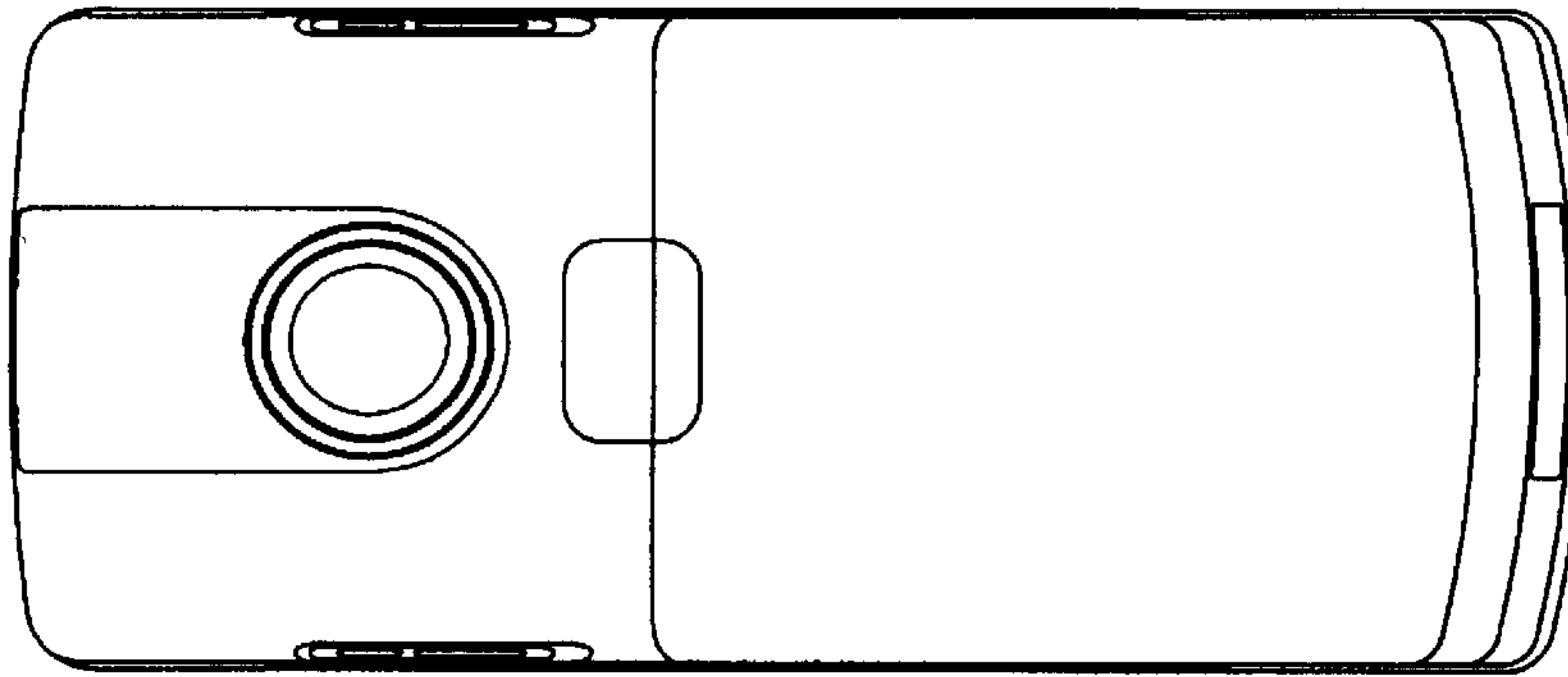


FIG.4

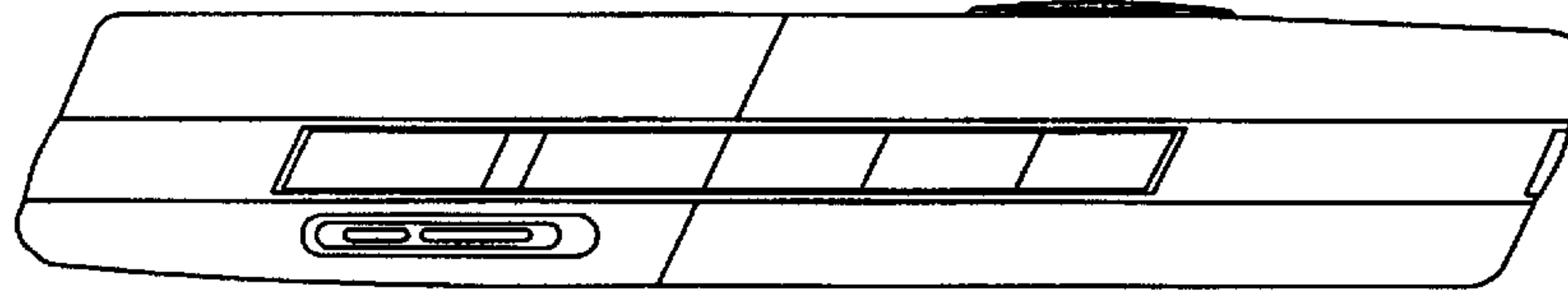


FIG.5

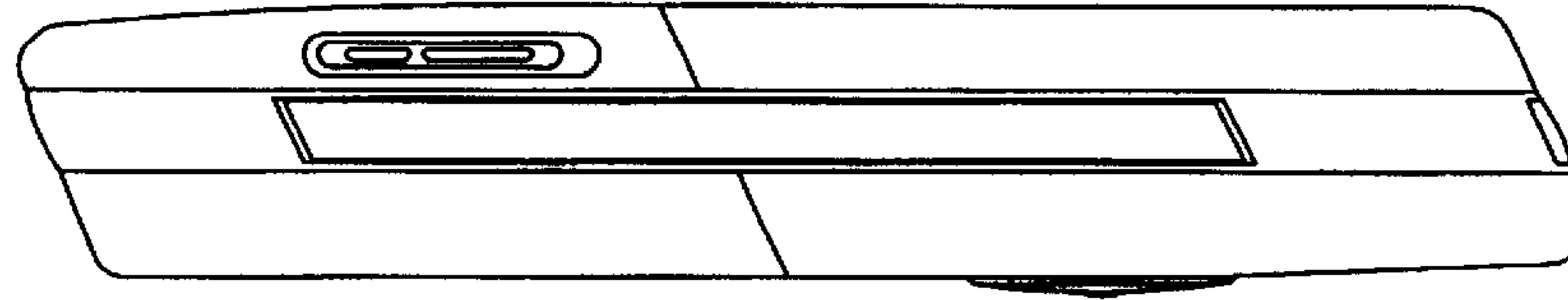


FIG. 6

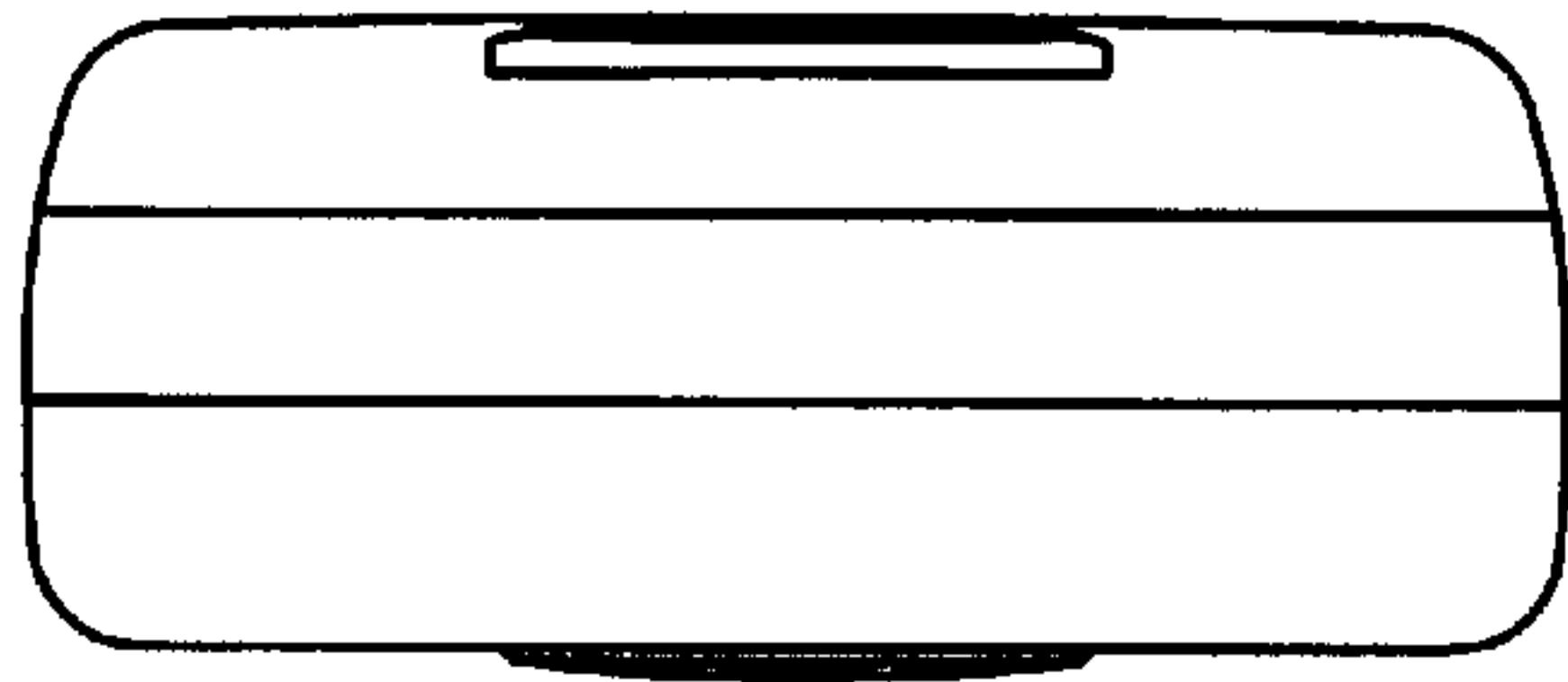


FIG. 7

