



US00D543522S

(12) **United States Design Patent**  
**Lee**

(10) **Patent No.:** **US D543,522 S**

(45) **Date of Patent:** **\*\* May 29, 2007**

(54) **TELEVISION SET**

(75) Inventor: **Chien-Kuo Lee**, Taoyuan County (TW)

(73) Assignee: **Hannspree Inc.**, Taipei (TW)

(\*\*) Term: **14 Years**

(21) Appl. No.: **29/248,414**

(22) Filed: **Aug. 15, 2006**

(30) **Foreign Application Priority Data**

Jul. 20, 2006 (TW) ..... 95304069

(51) **LOC (8) Cl.** ..... **14-03**

(52) **U.S. Cl.** ..... **D14/126**

(58) **Field of Classification Search** ..... D14/125-135,  
D14/239, 371, 136, 374-377; 312/7.2; 348/836,  
348/838, 180, 184, 325, 739; 341/12; 248/917-924,  
248/465; 345/104, 133, 156, 168, 87, 173;  
720/605, 669, 600, 655; 369/99, 197; 455/344-347  
See application file for complete search history.

(56) **References Cited**

**U.S. PATENT DOCUMENTS**

D434,763 S \* 12/2000 Jobs et al. .... D14/375

D456,023 S \* 4/2002 Andre et al. .... D14/375  
D483,365 S \* 12/2003 Olson et al. .... D14/375

\* cited by examiner

*Primary Examiner*—Raphael Barkai

(74) *Attorney, Agent, or Firm*—Thomas, Kayden,  
Horstemeyer & Risley

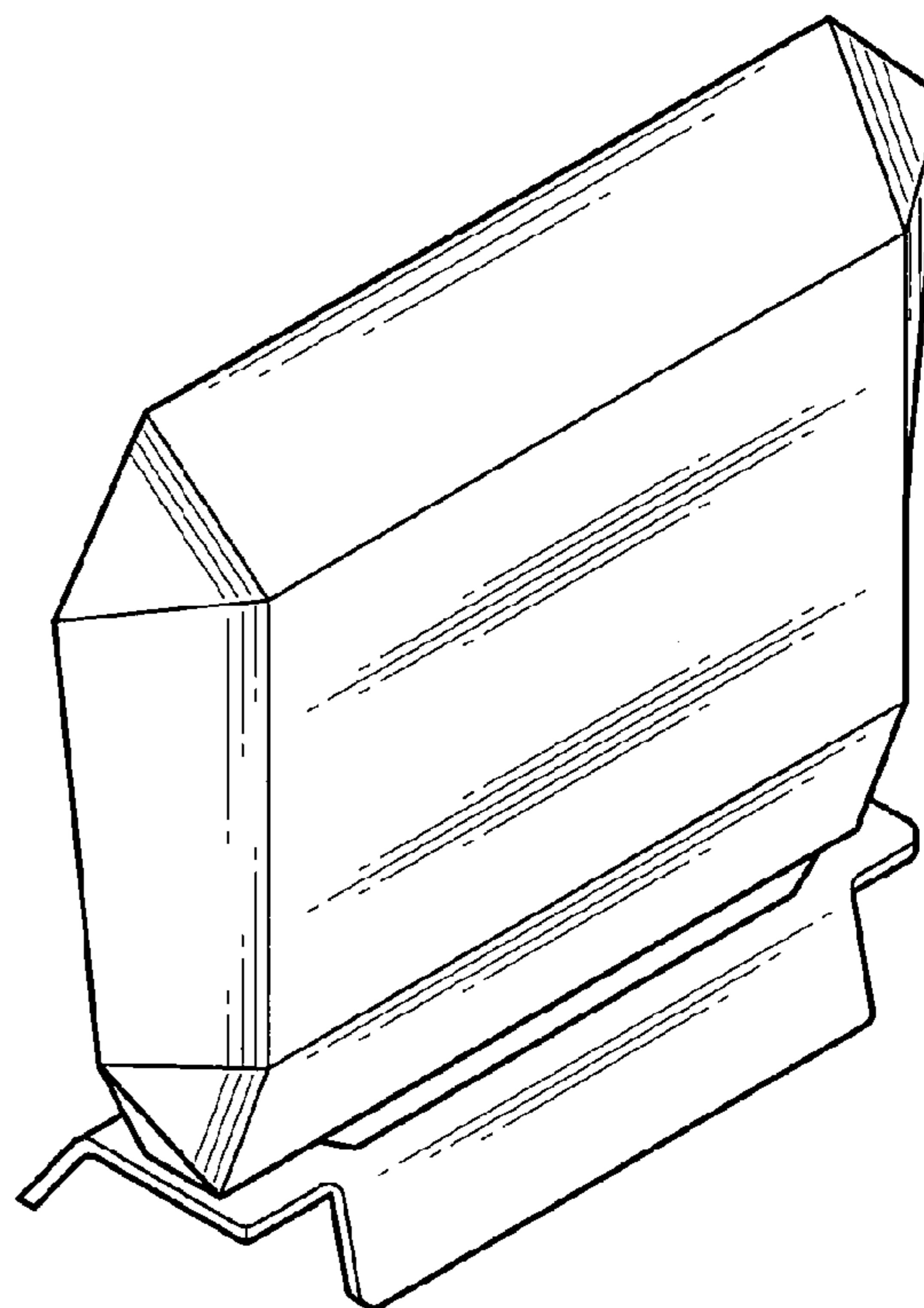
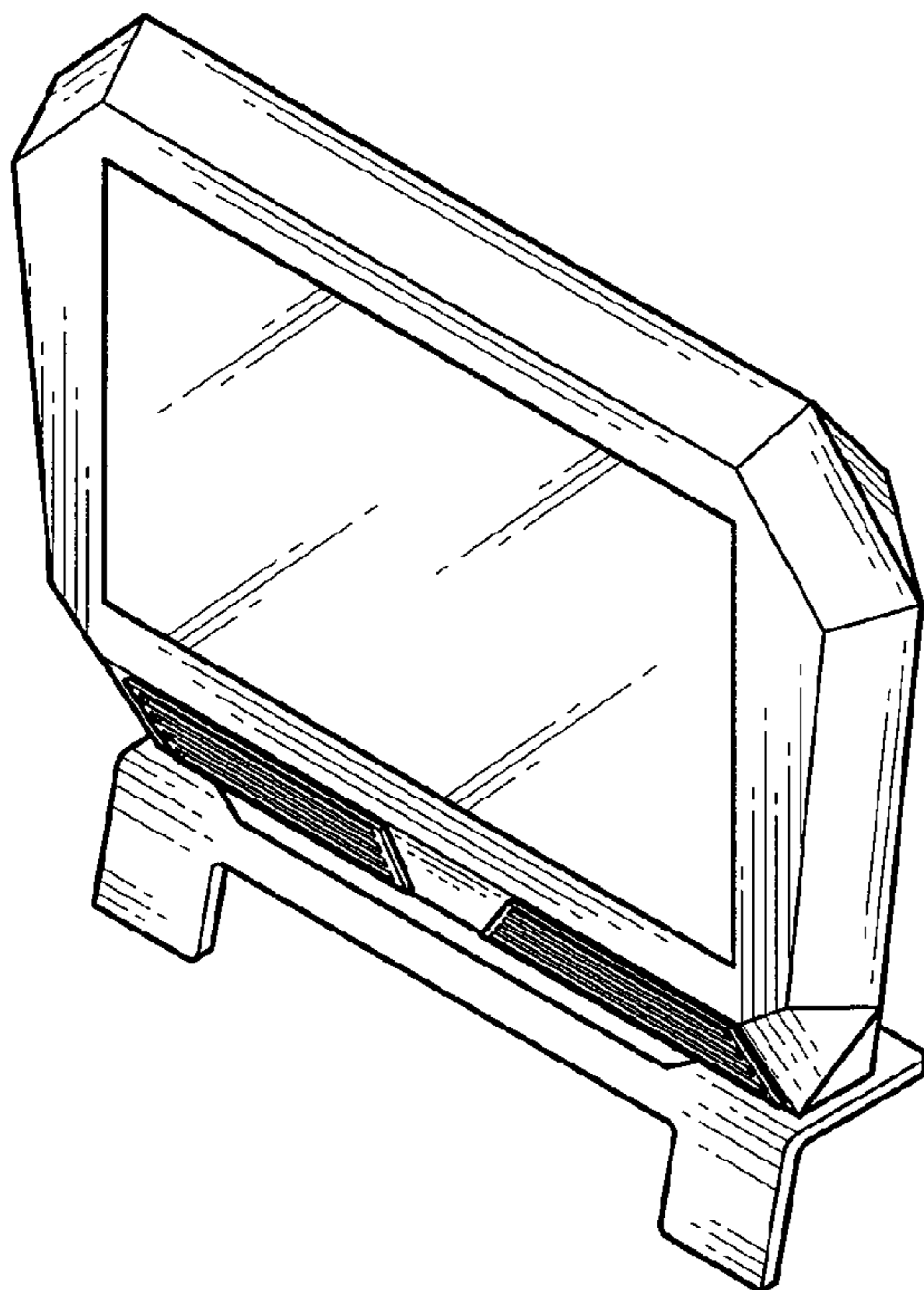
(57) **CLAIM**

The ornamental design for a television set, as shown and described.

**DESCRIPTION**

FIG. 1 is a front perspective view thereof;  
FIG. 2 is a front elevational view thereof;  
FIG. 3 is a rear elevational view thereof;  
FIG. 4 is a left side elevational view thereof;  
FIG. 5 is a right side elevational view thereof;  
FIG. 6 is a top plan view thereof;  
FIG. 7 is a bottom plan view thereof; and,  
FIG. 8 is a rear perspective view thereof.

**1 Claim, 5 Drawing Sheets**



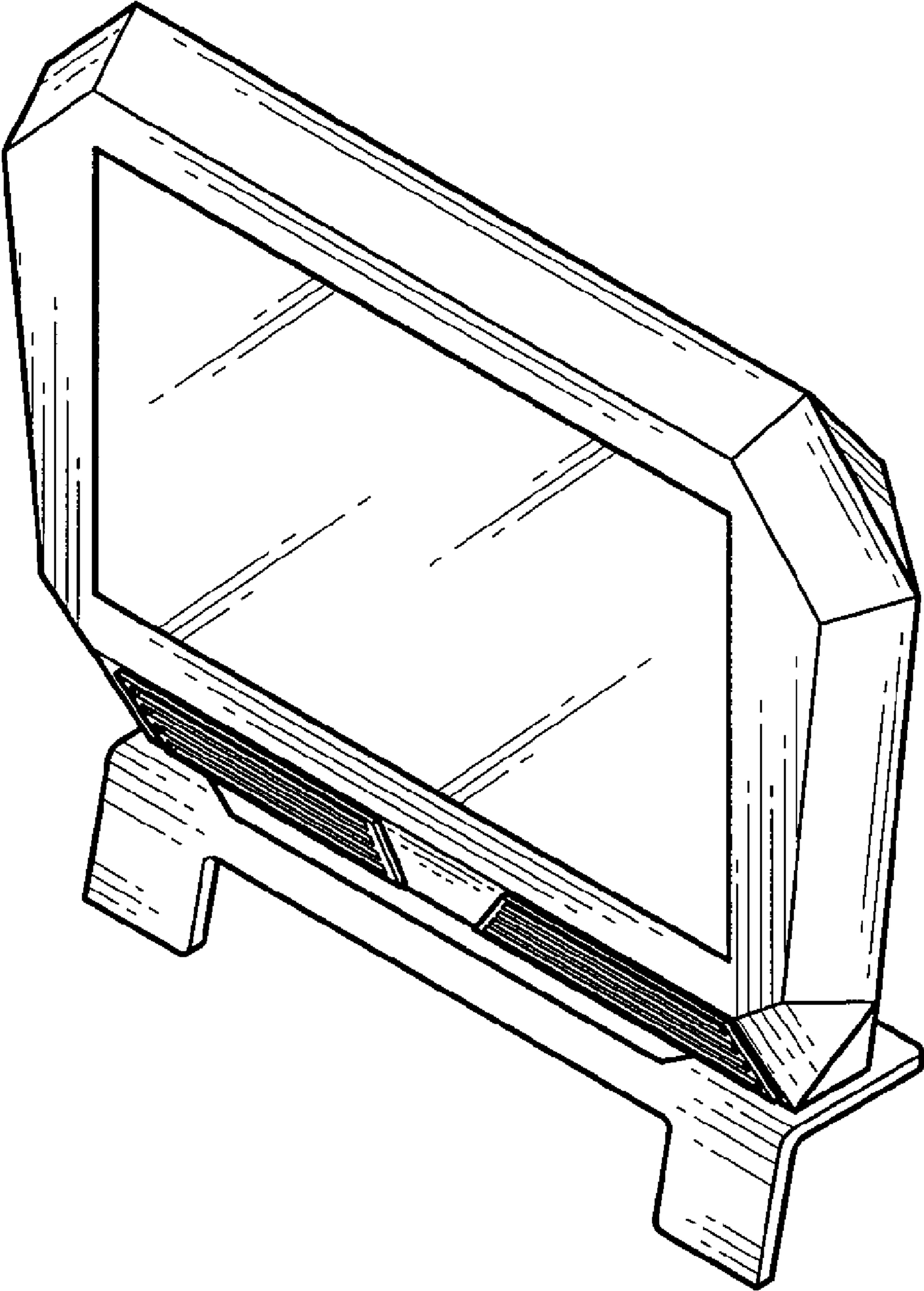


FIG. 1

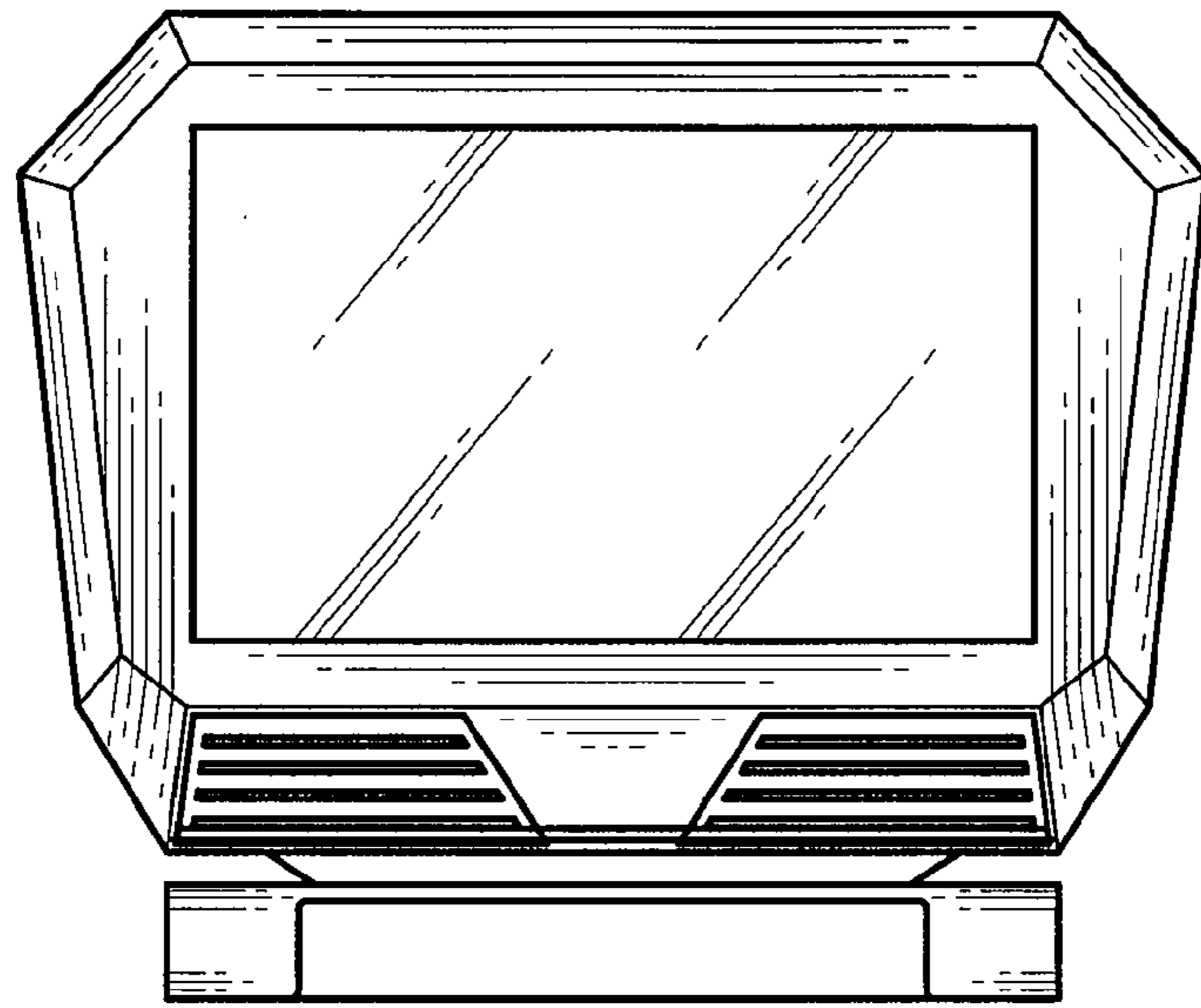


FIG. 2

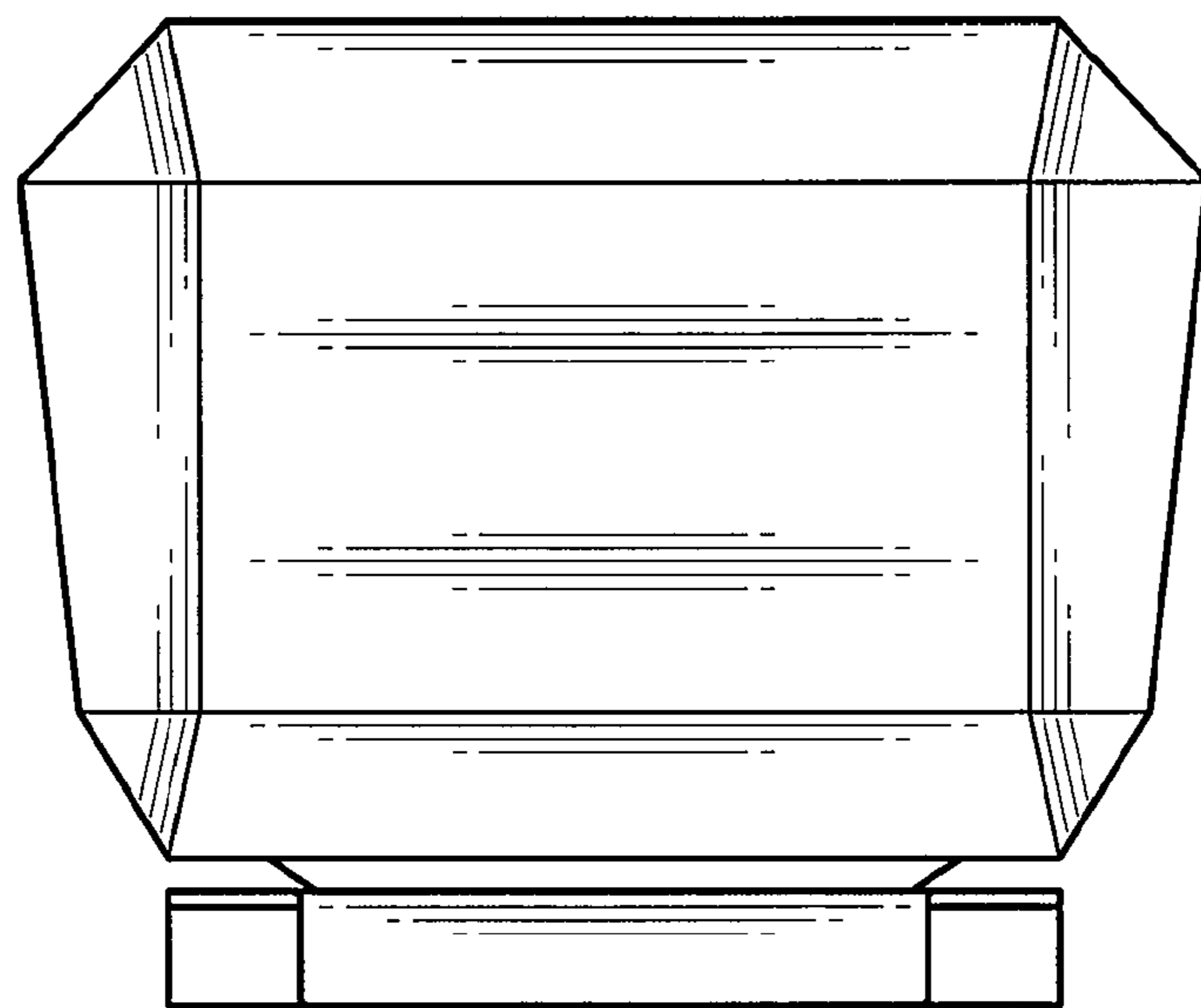


FIG. 3

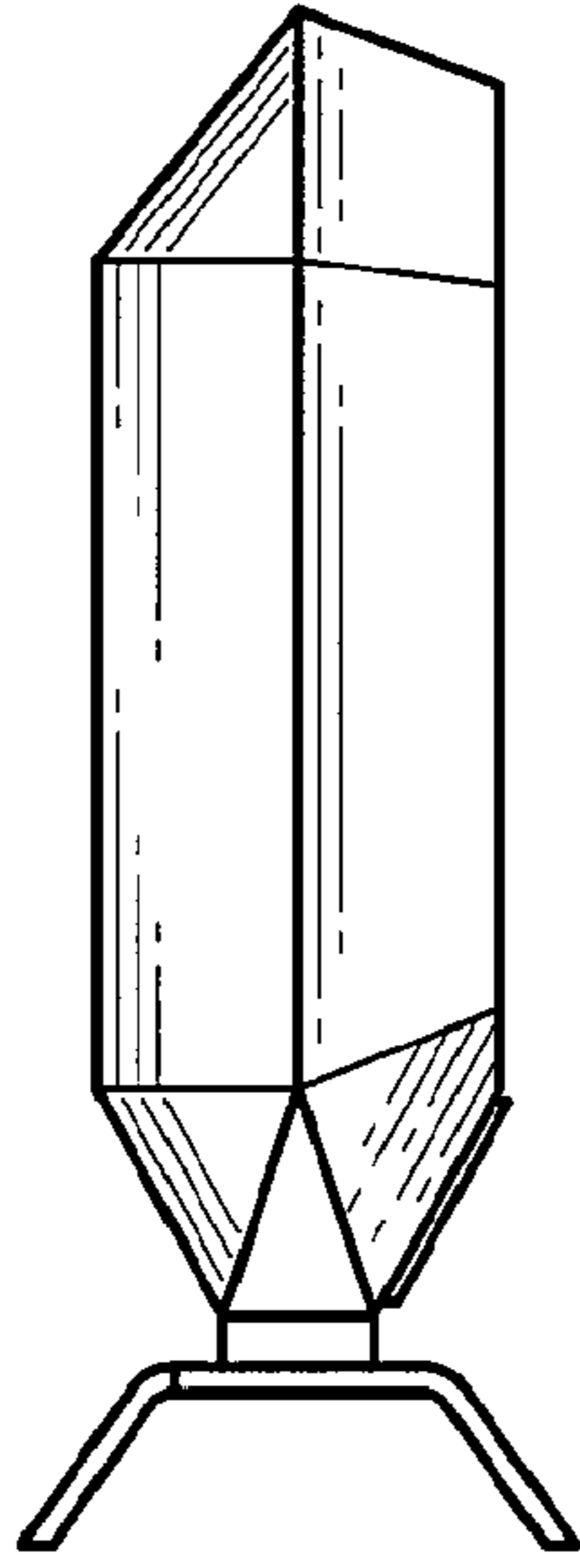


FIG. 4

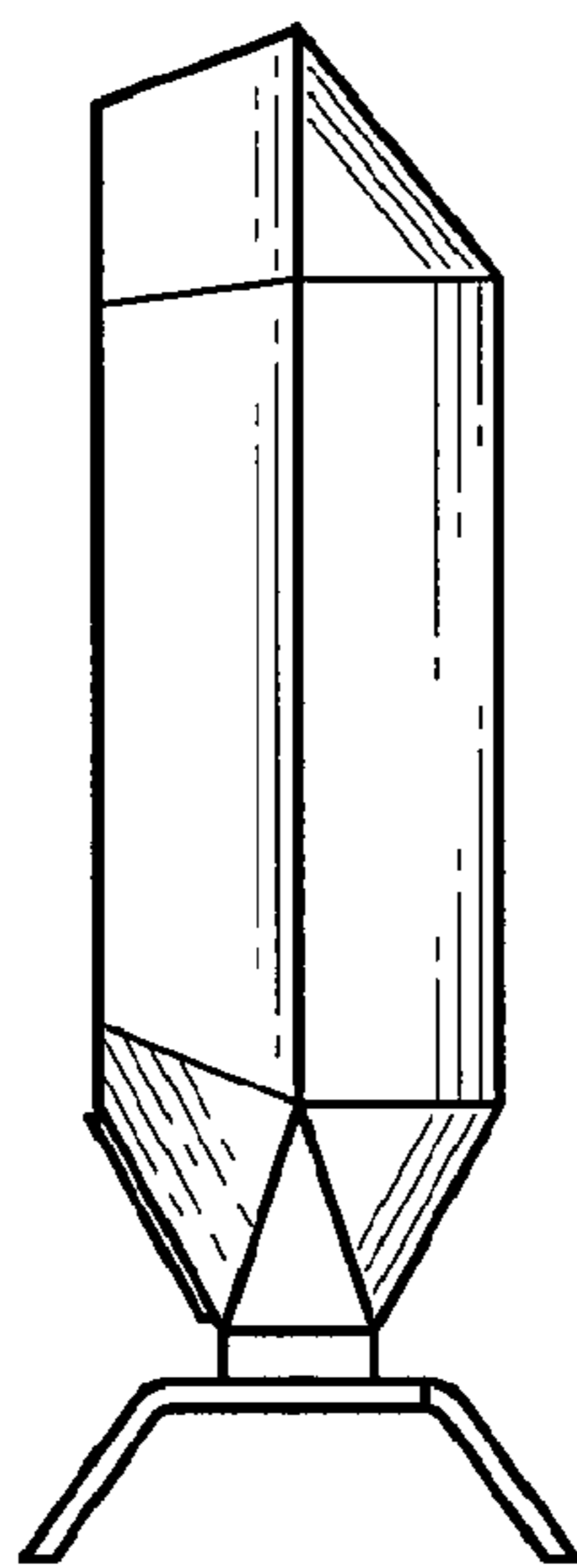


FIG. 5

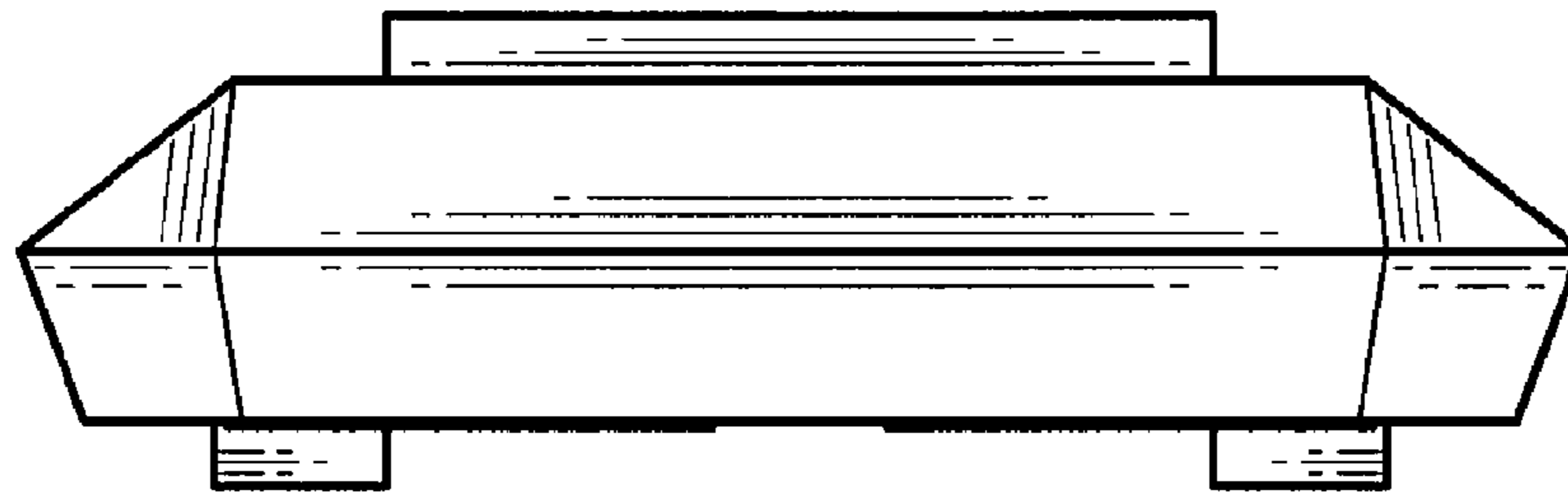


FIG. 6

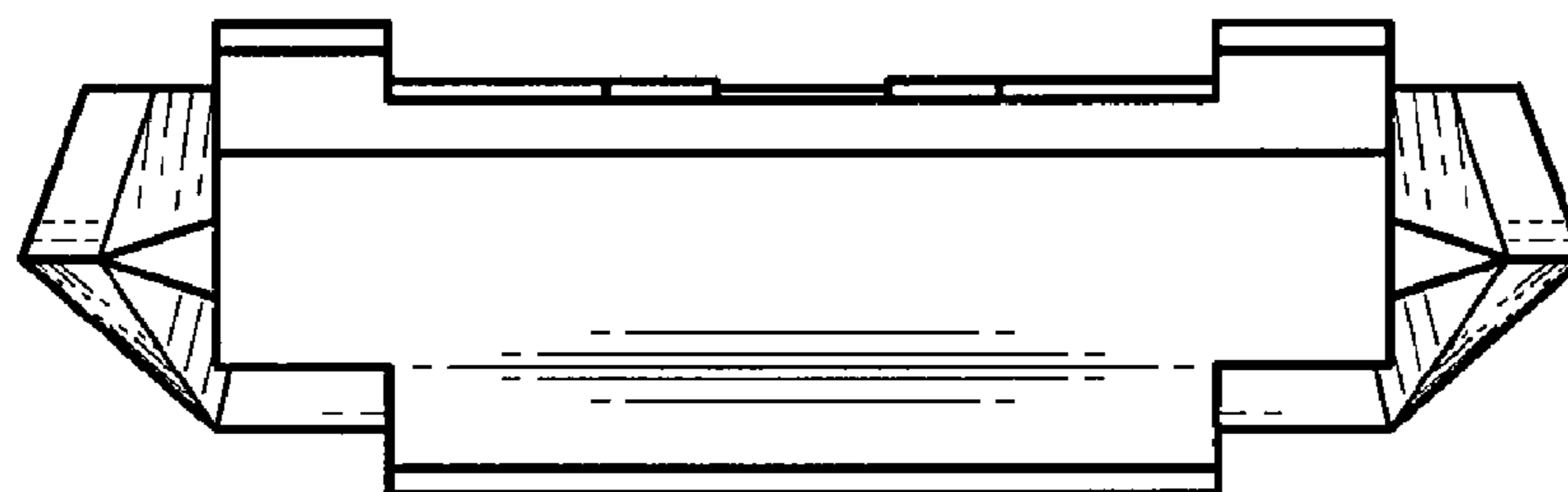


FIG. 7

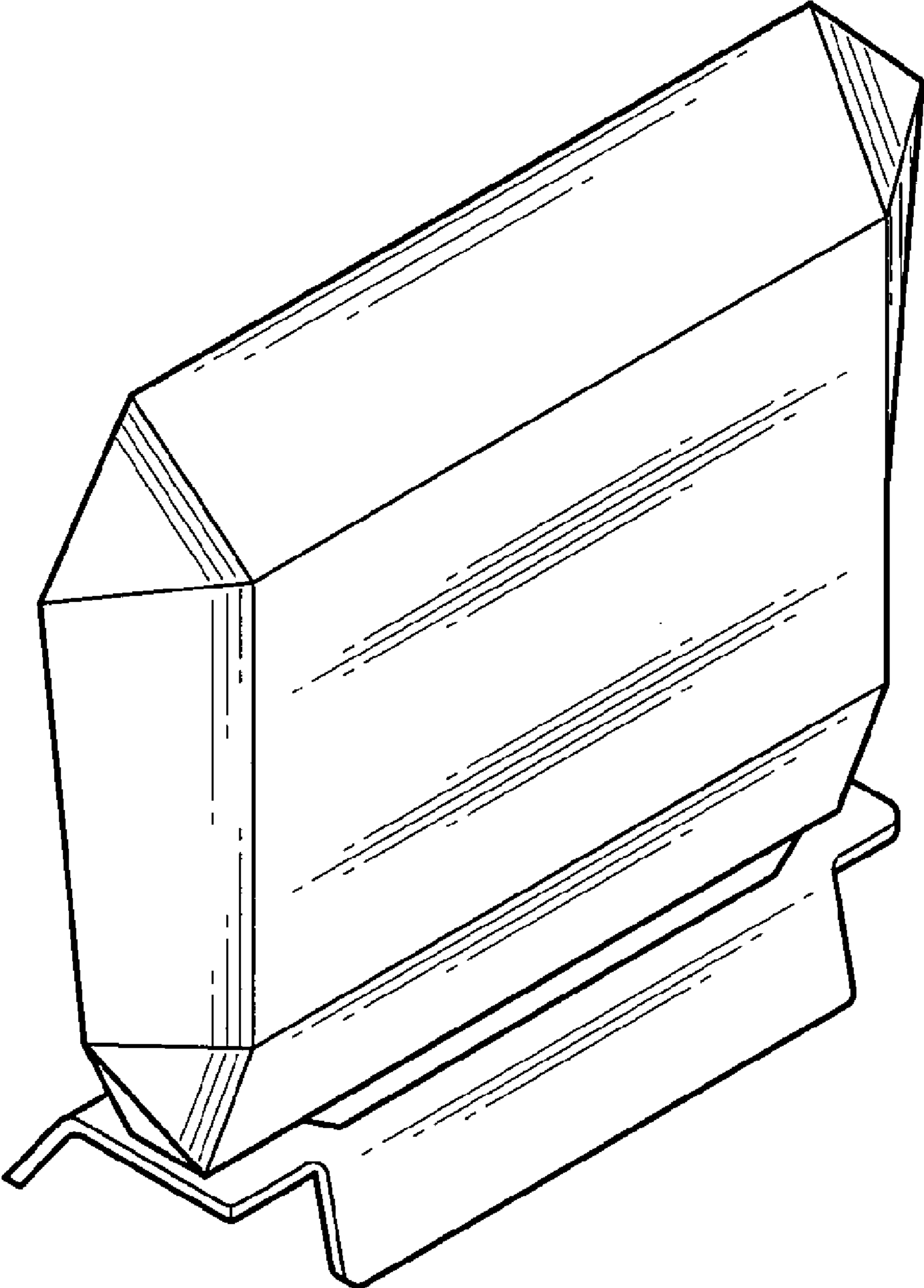


FIG. 8