



US00D543521S

(12) **United States Design Patent**
Chiu

(10) **Patent No.:** **US D543,521 S**

(45) **Date of Patent:** **** May 29, 2007**

(54) **TELEVISION SET**

(75) Inventor: **Yi-Chung Chiu**, Taoyuan County (TW)

(73) Assignee: **Hannspree Inc.**, Taipei (TW)

(**) Term: **14 Years**

(21) Appl. No.: **29/248,411**

(22) Filed: **Aug. 15, 2006**

(30) **Foreign Application Priority Data**

Jul. 20, 2006 (TW) 95304067

(51) **LOC (8) Cl.** **14-03**

(52) **U.S. Cl.** **D14/126**

(58) **Field of Classification Search** D14/125-134,
D14/239, 371, 136, 374-377; 312/7.2; 348/836,
348/838, 180, 184, 325, 739; 341/12; 248/917-924,
248/465; 345/104, 133, 156, 168, 87, 173;
720/605, 669, 600, 655; 369/99, 197; 455/344-347
See application file for complete search history.

(56) **References Cited**

U.S. PATENT DOCUMENTS

D398,659 S * 9/1998 Yokoi D21/333
6,227,966 B1 * 5/2001 Yokoi 463/1
D447,138 S * 8/2001 Arpe D14/336

D467,620 S * 12/2002 Lin D21/329
D468,738 S * 1/2003 Lin D14/371
D469,089 S * 1/2003 Lin D14/371
D469,093 S * 1/2003 Lin D14/375
D520,468 S * 5/2006 Lin D14/126
D526,978 S * 8/2006 Hoehn et al. D14/126

* cited by examiner

Primary Examiner—Raphael Barkai

(74) *Attorney, Agent, or Firm*—Thomas, Kayden,
Horstemeyer & Risley

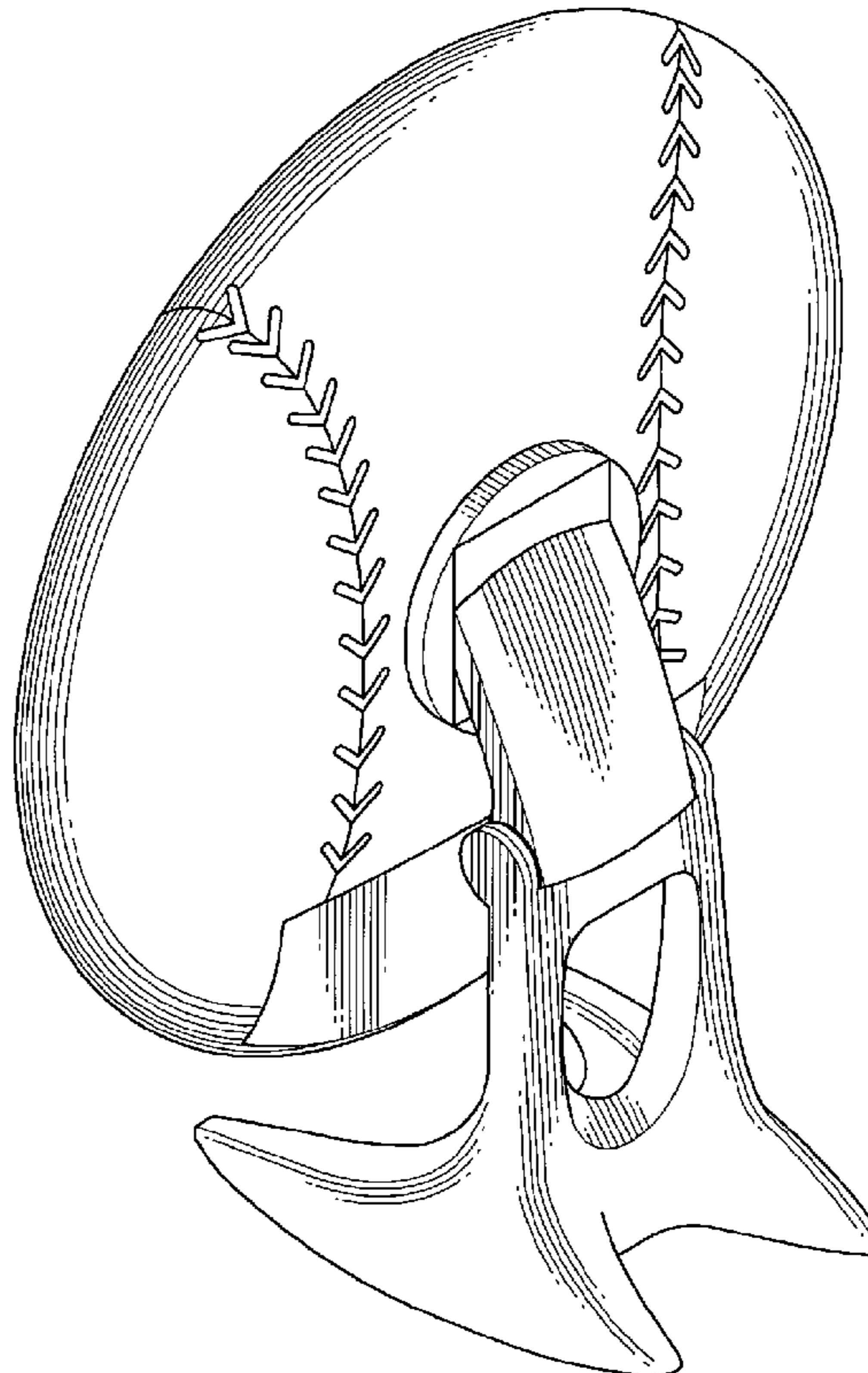
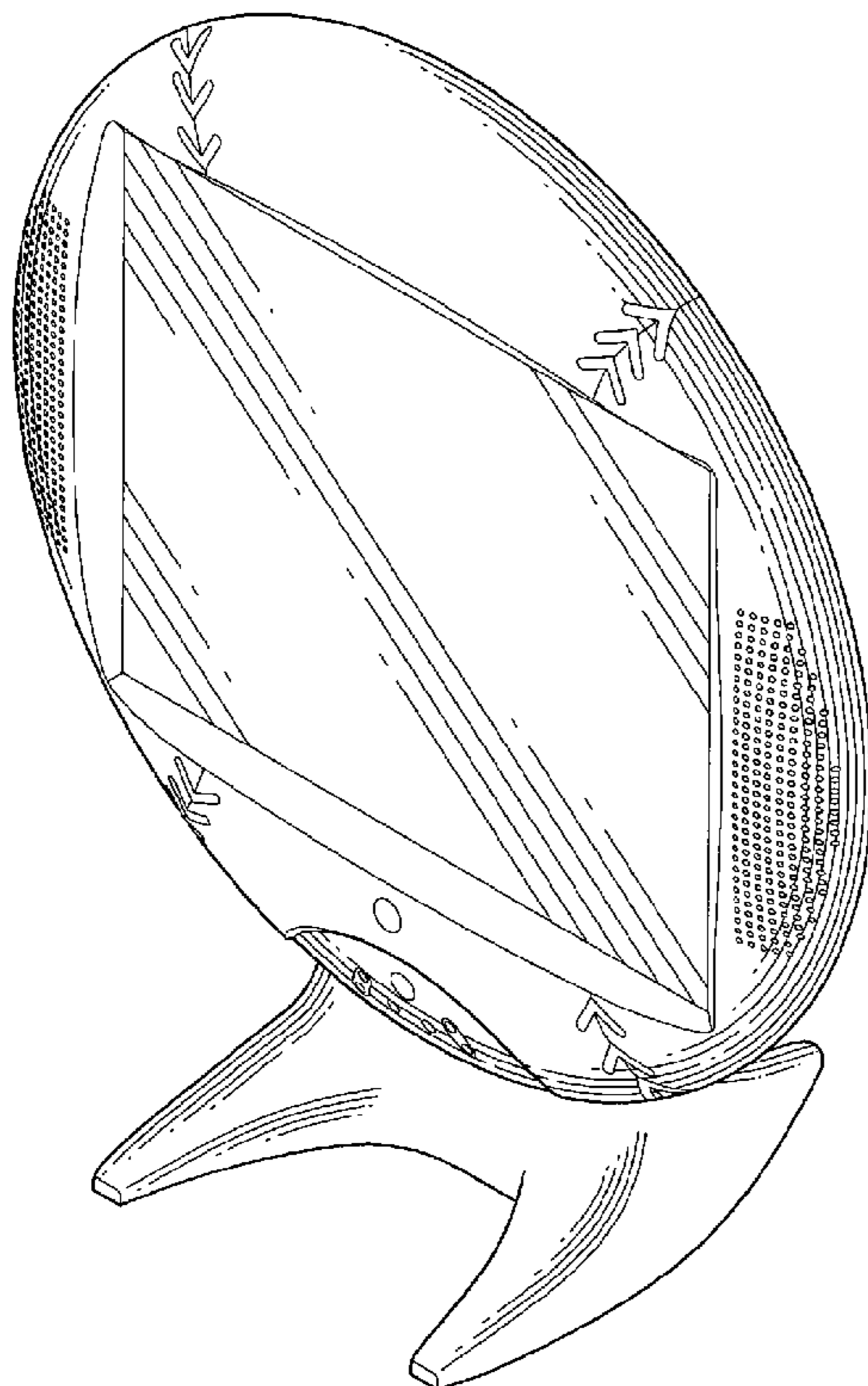
(57) **CLAIM**

The ornamental design for a television set, as shown and described.

DESCRIPTION

FIG. 1 is a front perspective view thereof;
FIG. 2 is a front elevational view thereof;
FIG. 3 is a rear elevational view thereof;
FIG. 4 is a left side elevational view thereof;
FIG. 5 is a right side elevational view thereof;
FIG. 6 is a top plan view thereof;
FIG. 7 is a bottom plan view thereof; and,
FIG. 8 is a rear perspective view thereof.

1 Claim, 7 Drawing Sheets



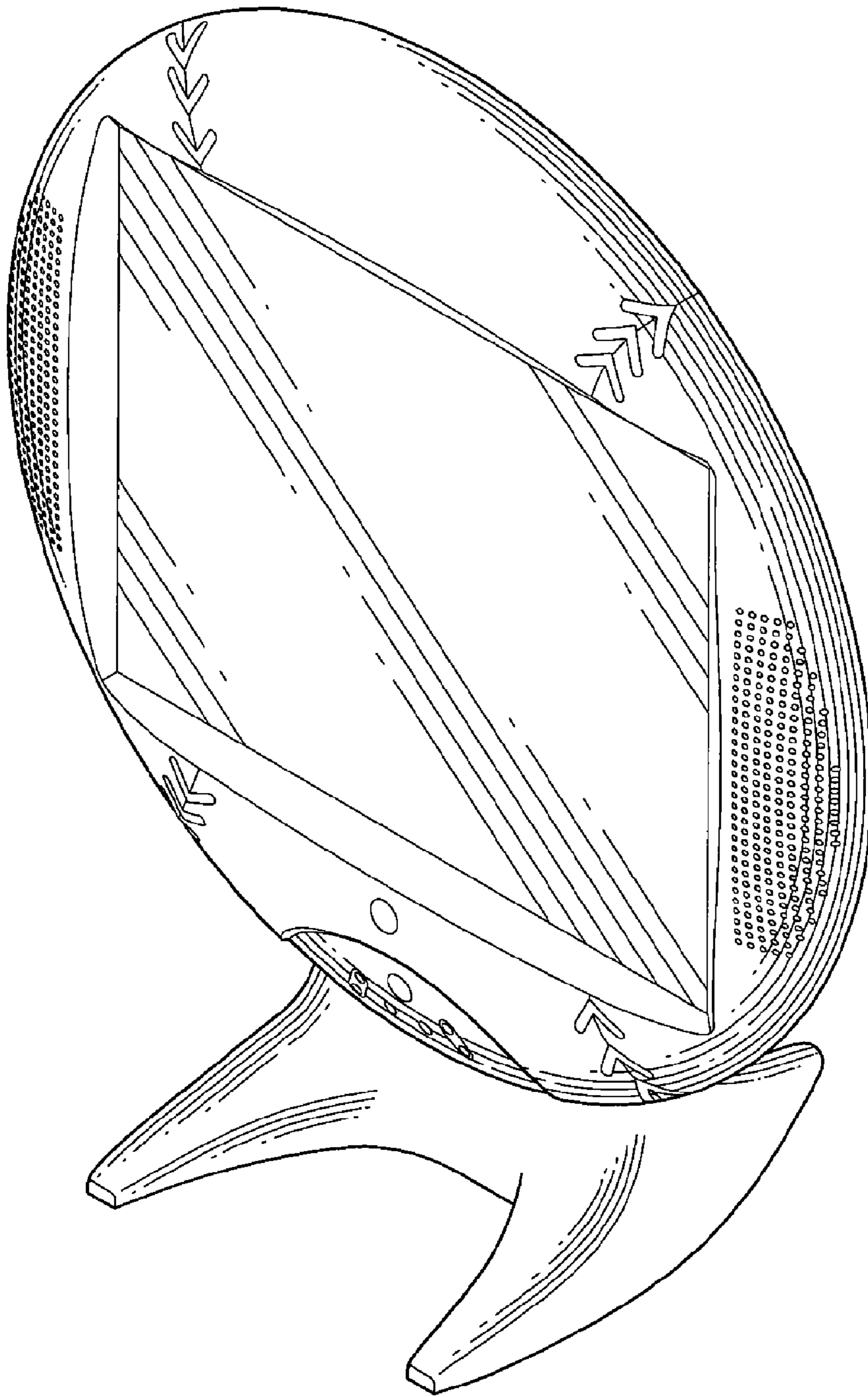


FIG. 1

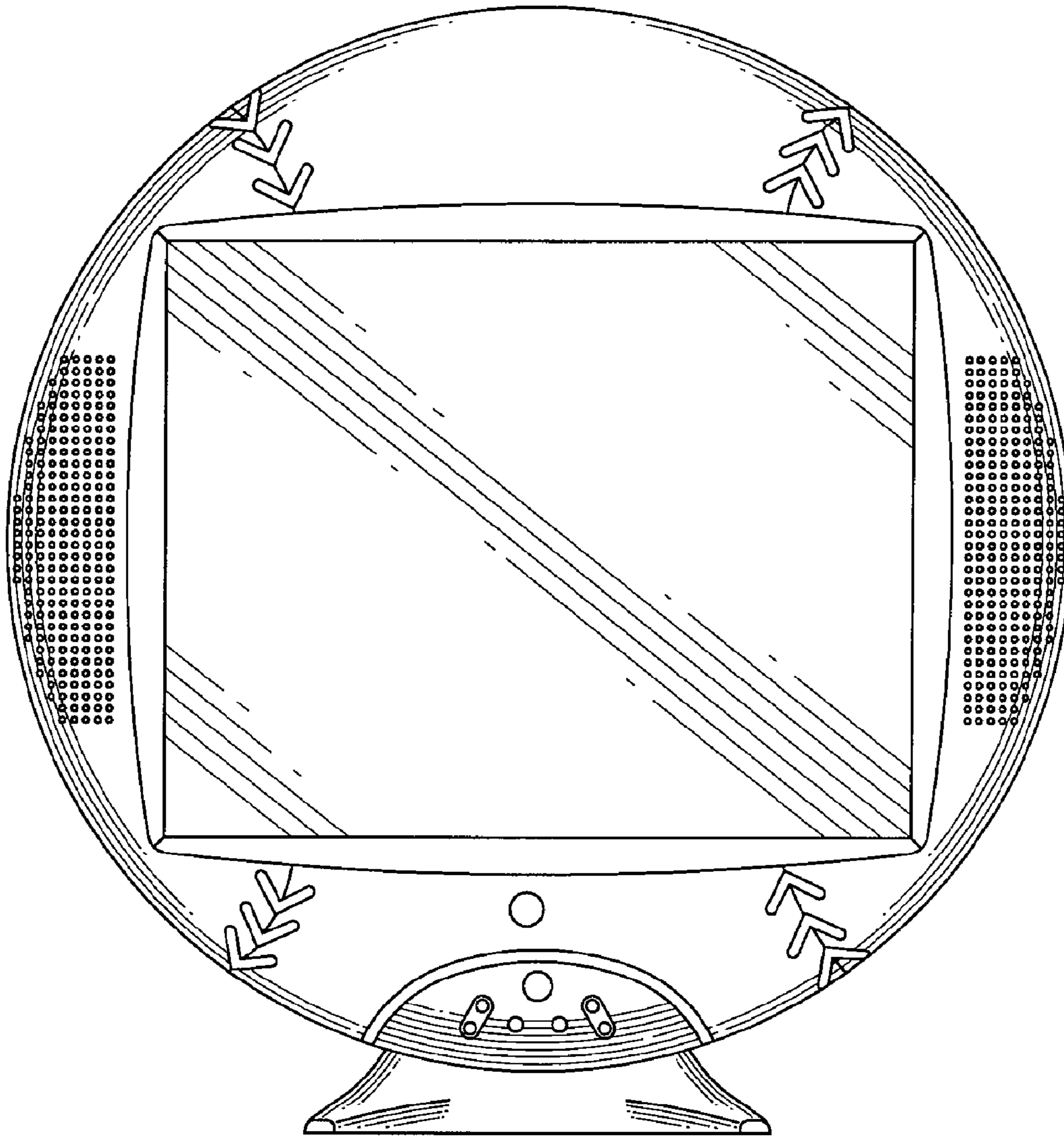


FIG. 2

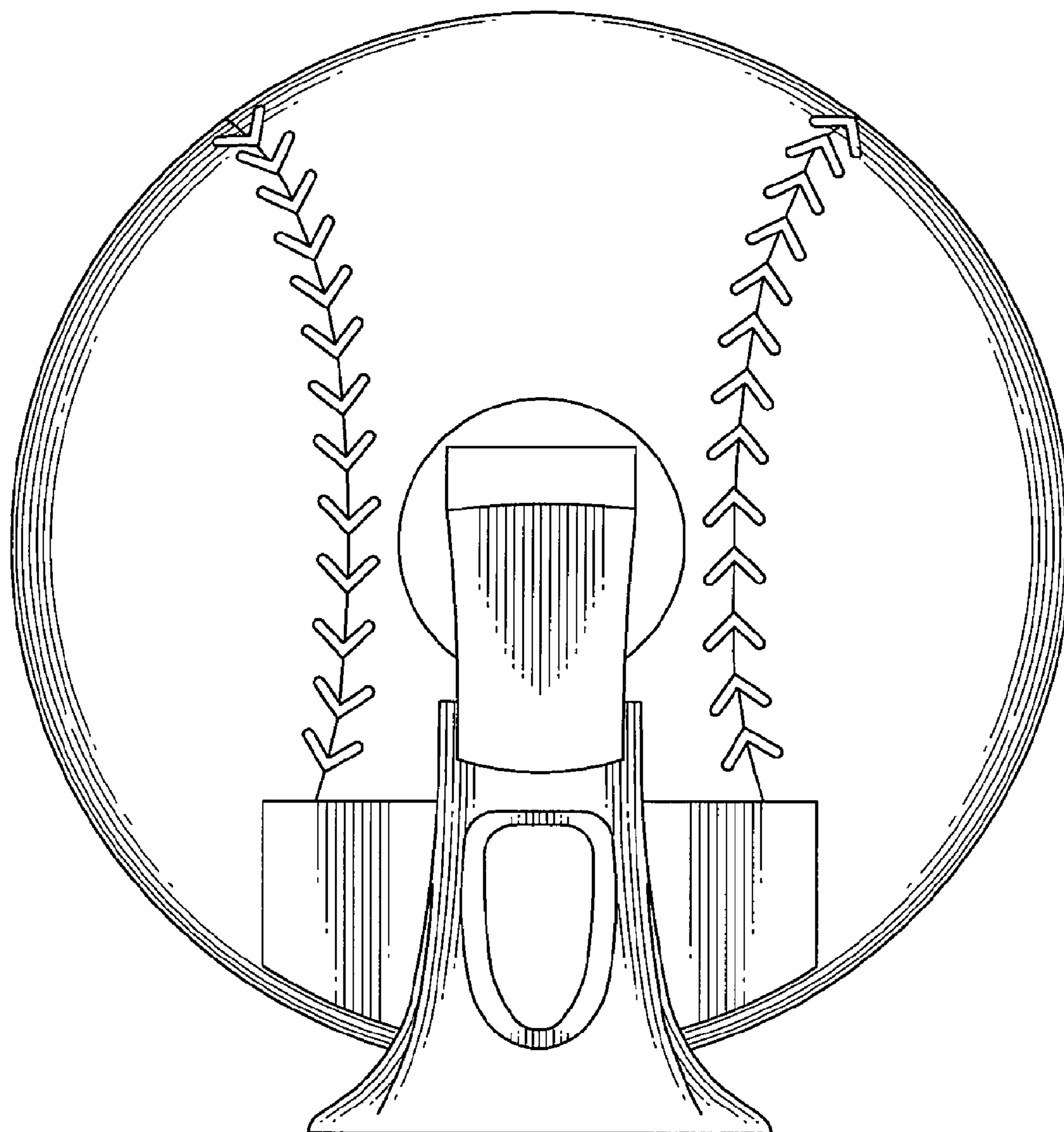


FIG. 3

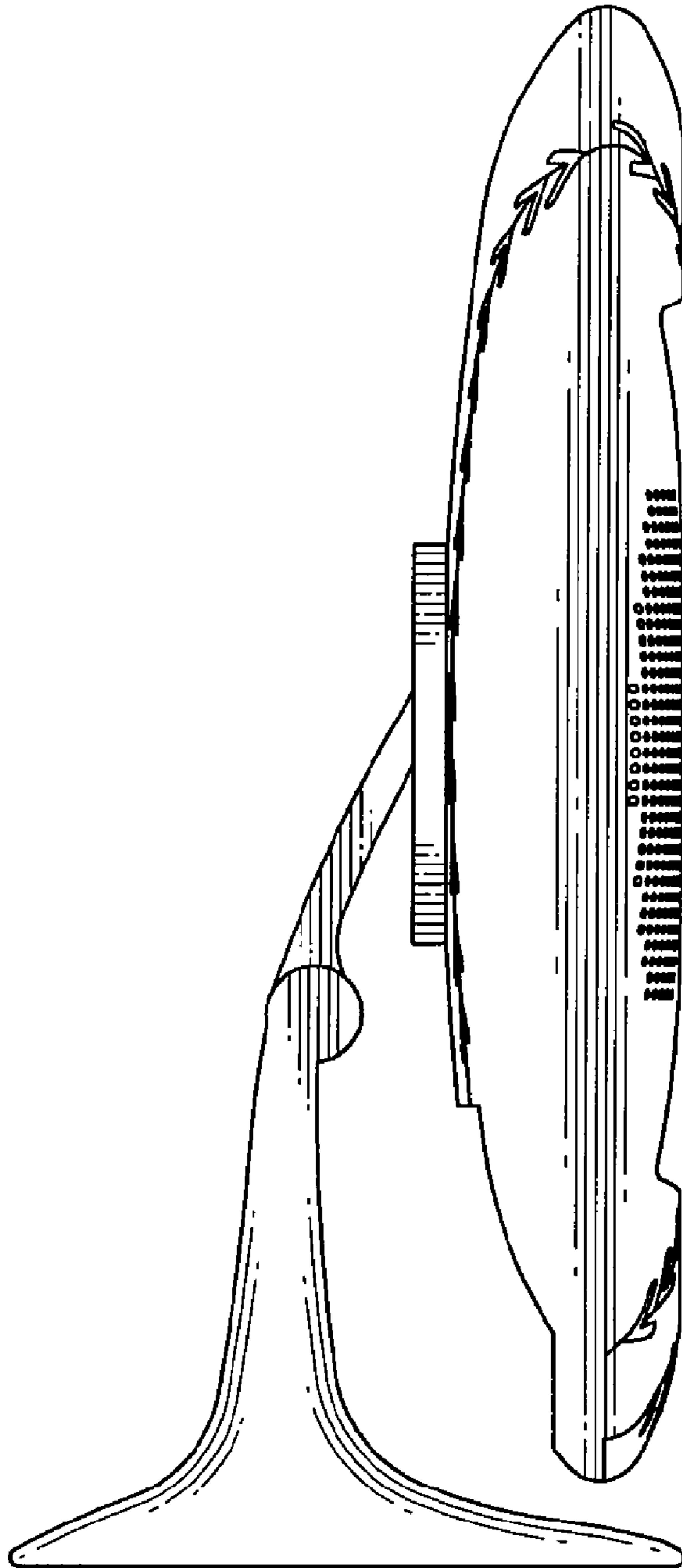


FIG. 4

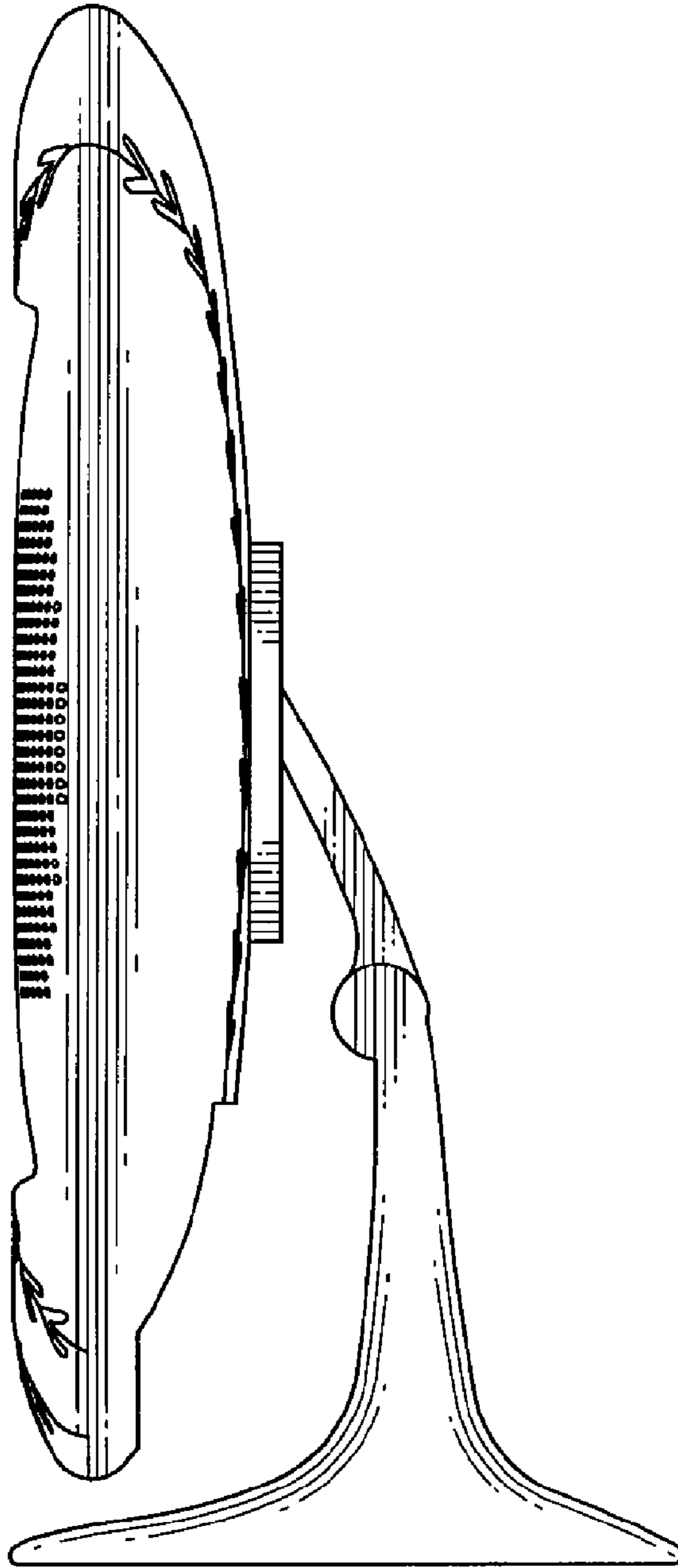


FIG. 5

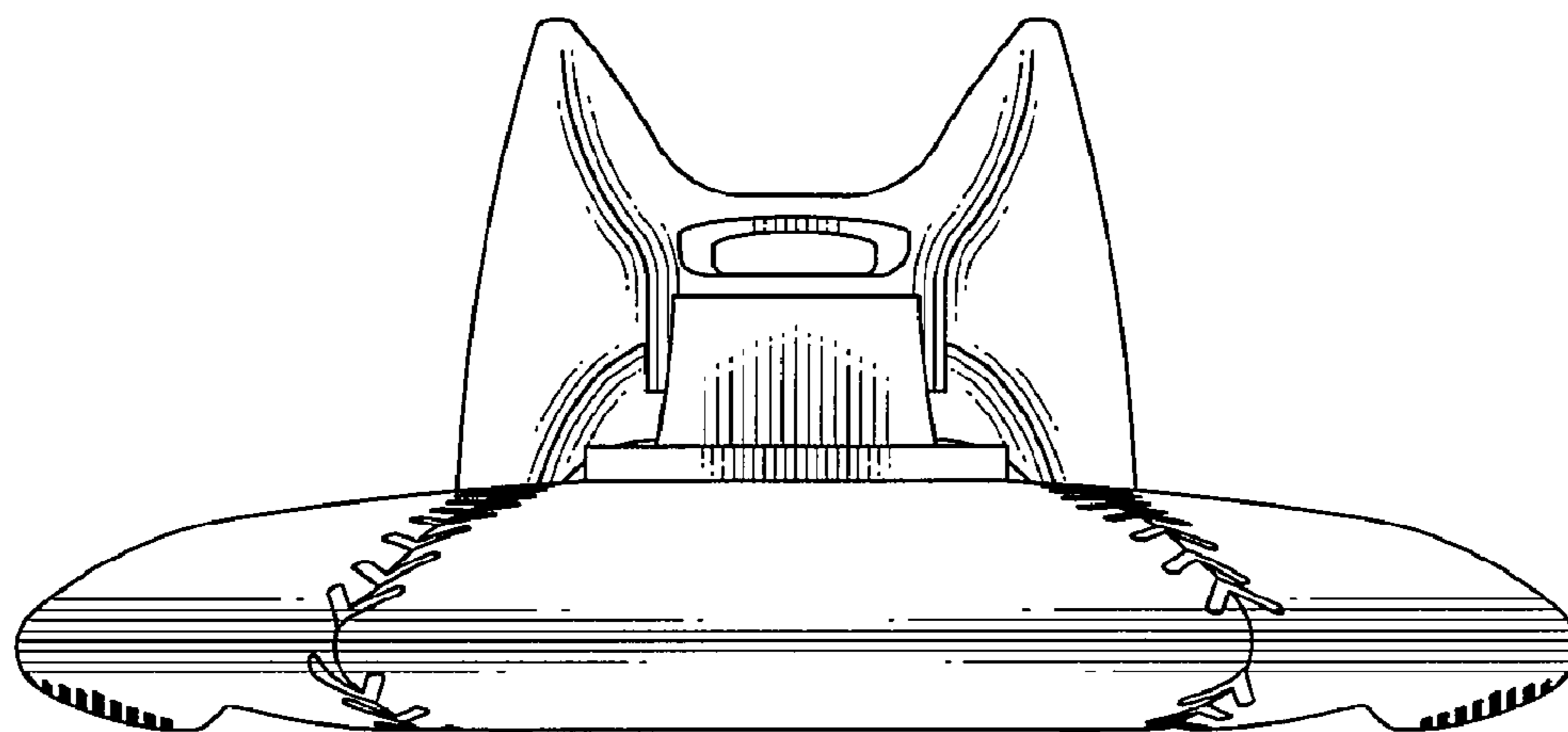


FIG. 6

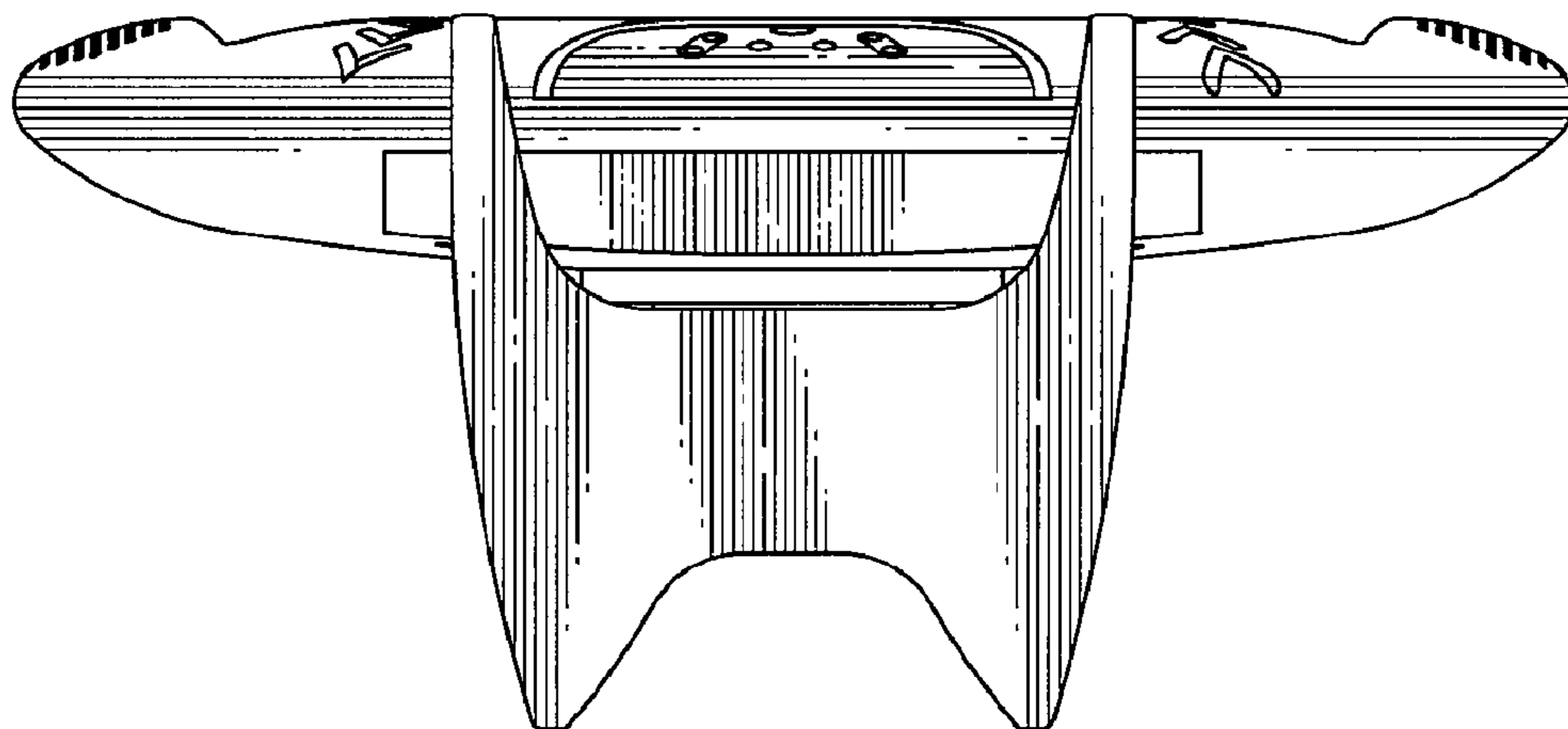


FIG. 7

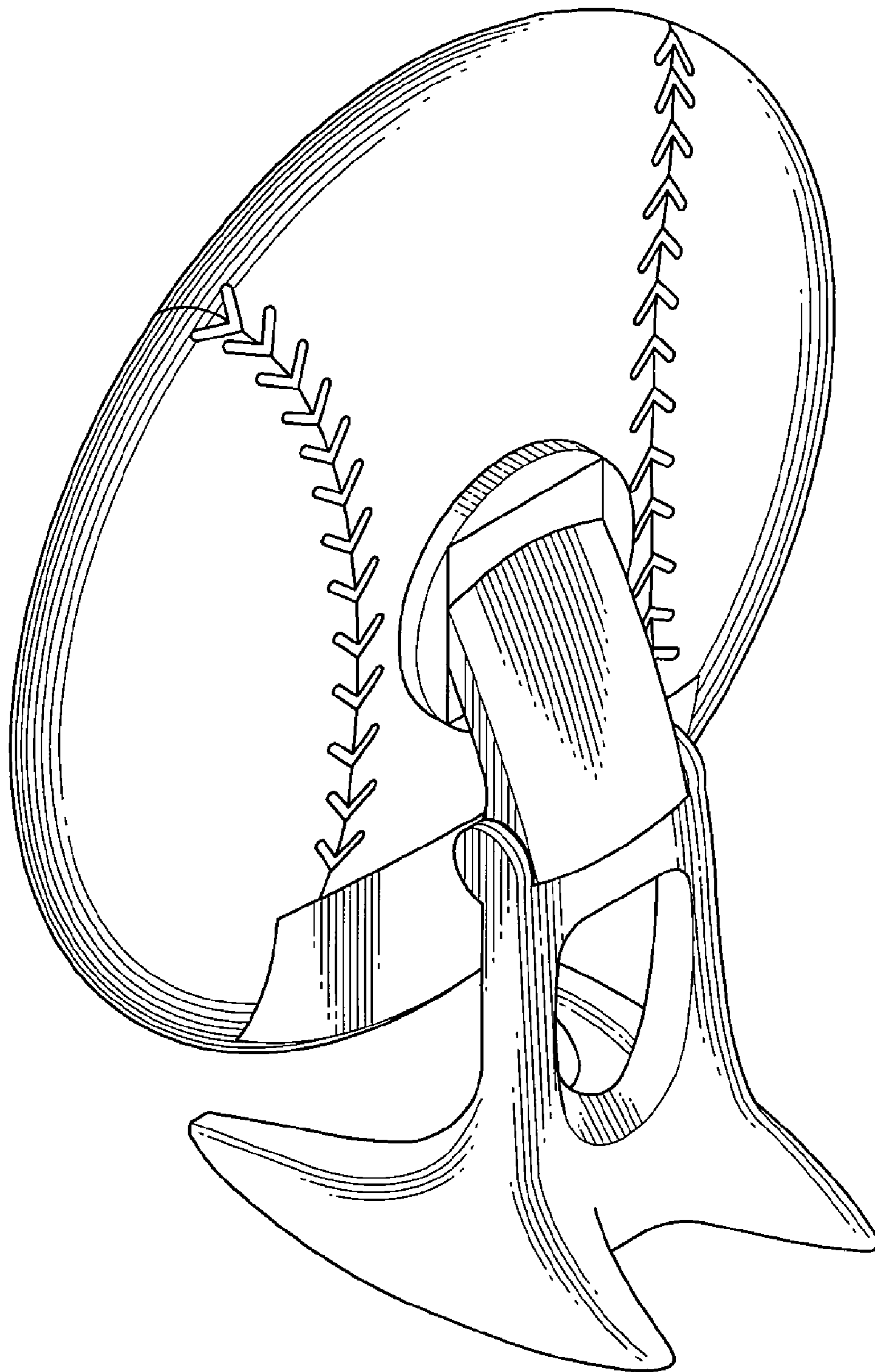


FIG. 8