



US00D543516S

(12) **United States Design Patent**
Han et al.

(10) **Patent No.:** **US D543,516 S**

(45) **Date of Patent:** **** May 29, 2007**

(54) **TELEVISION**

(75) Inventors: **Young Soo Han**, Seoul (KR); **Yong Ho Lee**, Seoul (KR)

(73) Assignee: **LG Electronics Inc.**, Seoul (KR)

(**) Term: **14 Years**

(21) Appl. No.: **29/223,151**

(22) Filed: **Feb. 10, 2005**

(30) **Foreign Application Priority Data**

Aug. 11, 2004 (KR) 30-2004-0024443

(51) **LOC (8) Cl.** **14-03**

(52) **U.S. Cl.** **D14/126**

(58) **Field of Classification Search** D14/125-135,
D14/239, 379, 371, 374, 375, 376, 113; D13/151,
D13/153; 312/7.2; 348/836, 838, 180, 184,
348/325, 739; 341/12; 248/917-924; 345/104,
345/133, 156, 168, 87, 173; 349/1, 2, 11,
349/62

See application file for complete search history.

(56) **References Cited**

U.S. PATENT DOCUMENTS

D476,632 S * 7/2003 Inoue et al. D14/126

D486,456 S * 2/2004 Fujiki D14/126
D497,146 S * 10/2004 Asanuma et al. D14/126
D500,991 S * 1/2005 Niitsu D14/126
D504,669 S * 5/2005 Fujiki D14/126
D505,405 S * 5/2005 Honda et al. D14/128

* cited by examiner

Primary Examiner—Raphael Barkai
Assistant Examiner—Randall H. Gholson

(74) *Attorney, Agent, or Firm*—Birch, Stewart, Kolasch & Birch, LLP

(57) **CLAIM**

The ornamental design for a television, as shown and described.

DESCRIPTION

FIG. 1 is a front, right perspective view of the television showing our new design;
FIG. 2 is a front view thereof;
FIG. 3 is a rear view thereof;
FIG. 4 is a left side view thereof;
FIG. 5 is a right side view thereof;
FIG. 6 is a top view thereof; and,
FIG. 7 is a bottom view thereof.

1 Claim, 5 Drawing Sheets

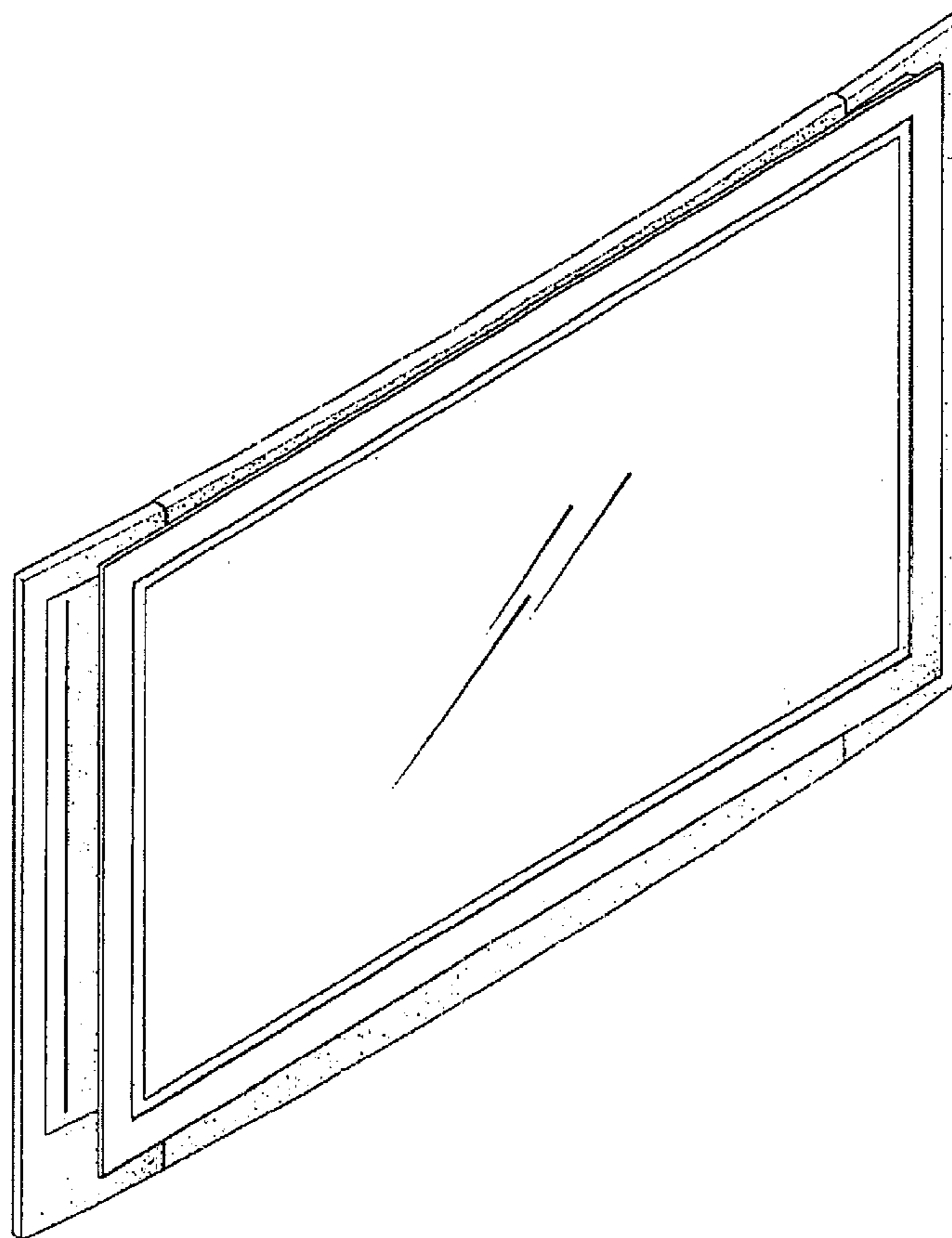


Fig. 1

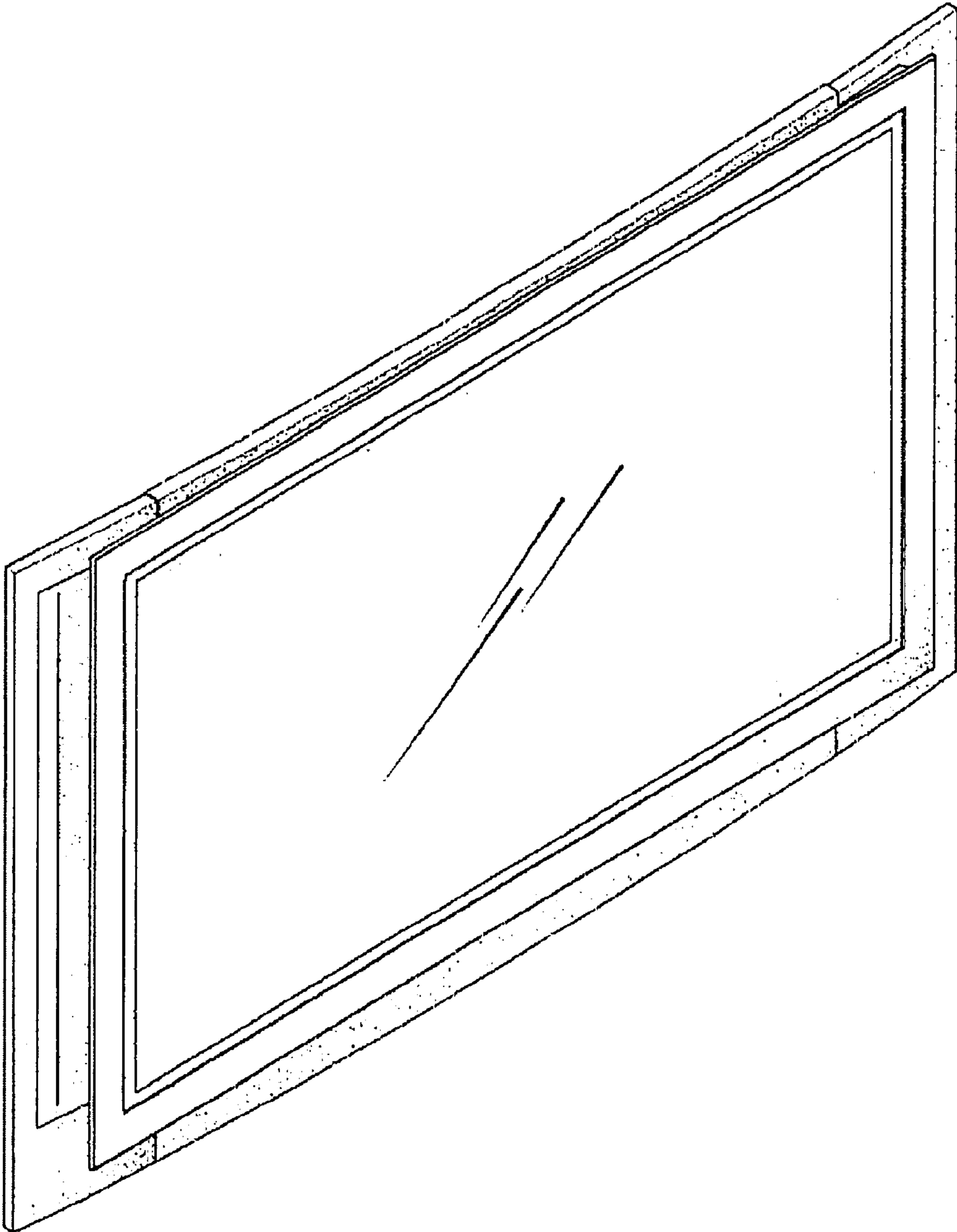


Fig. 2

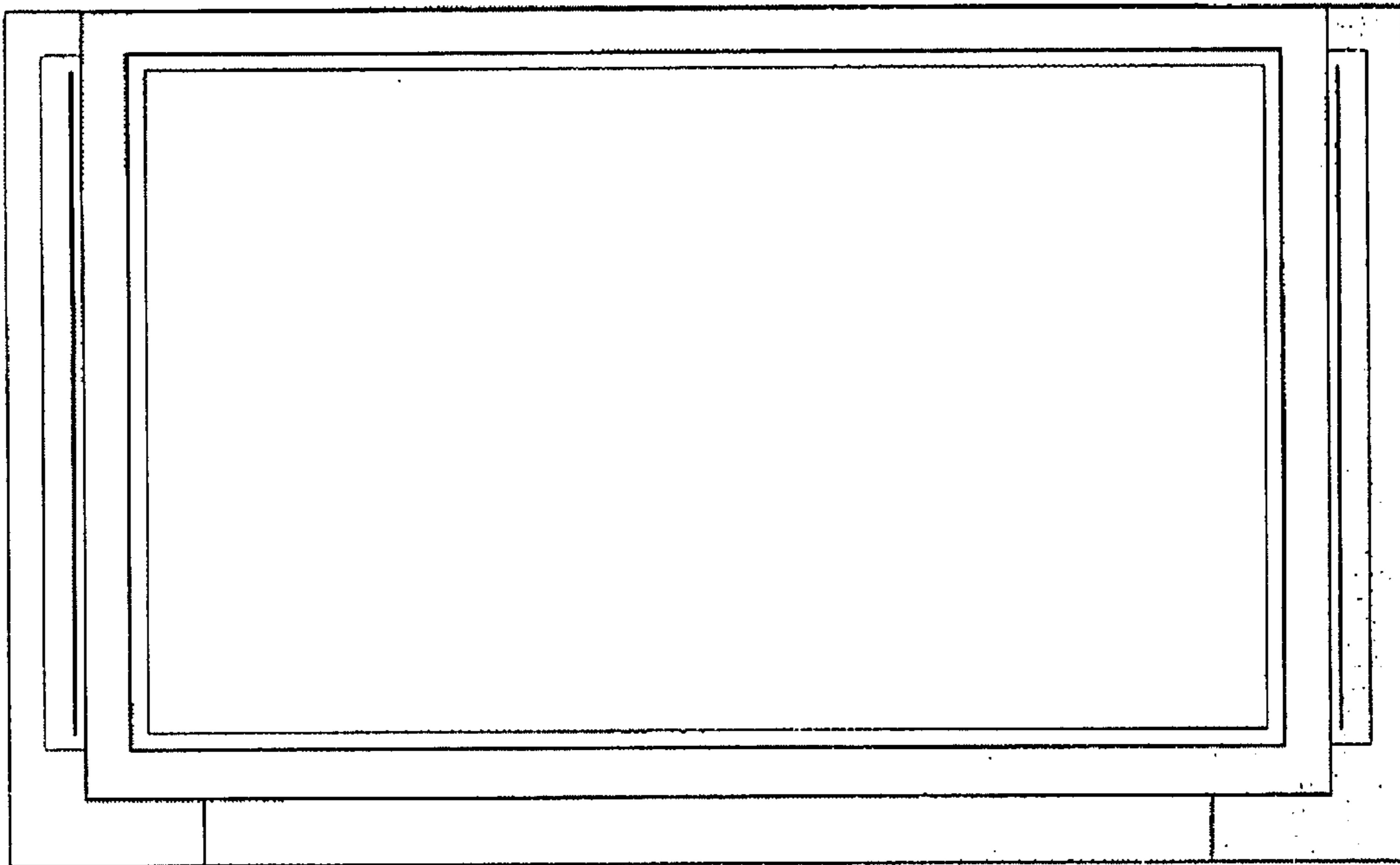


Fig. 3

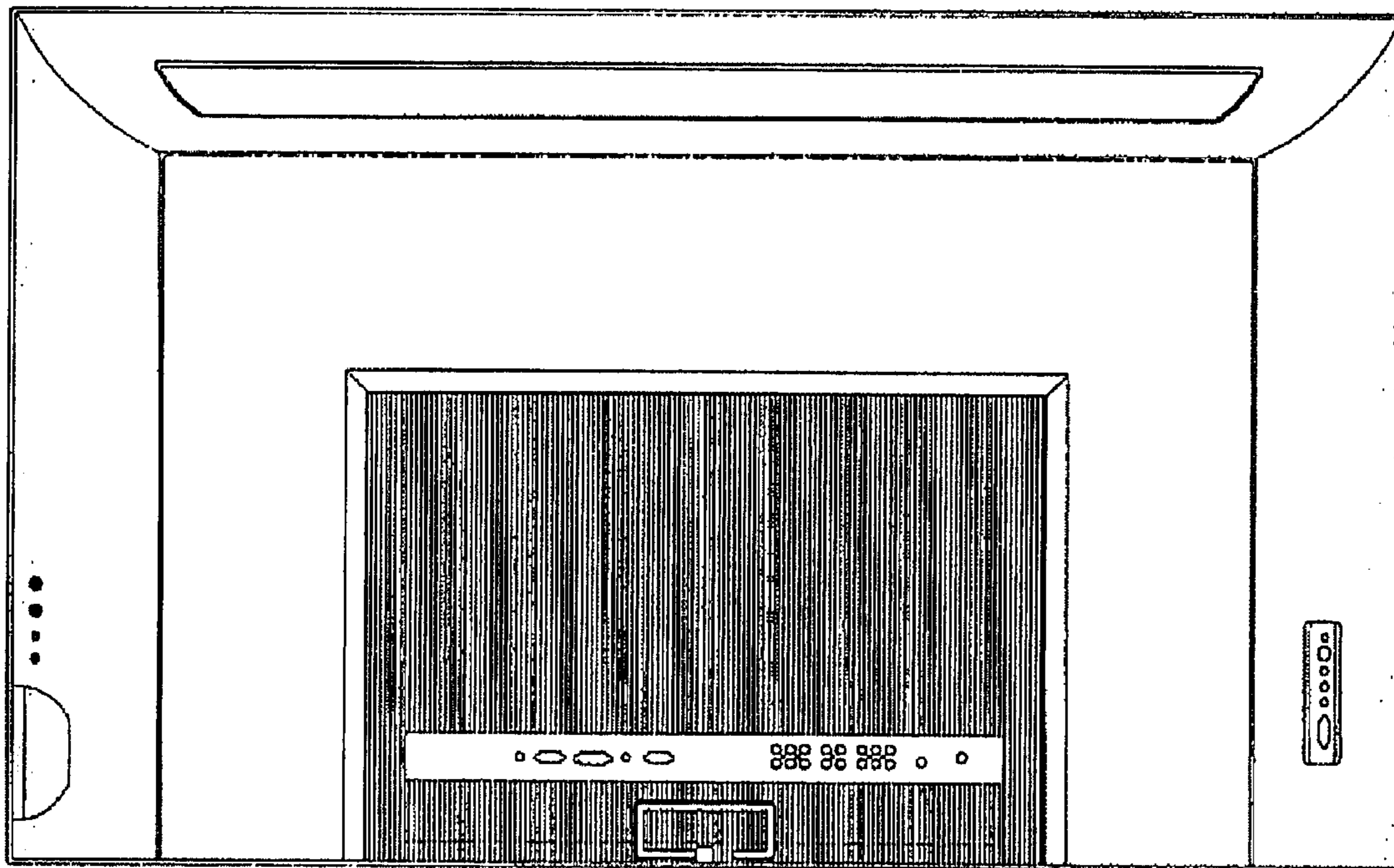


Fig. 4



Fig. 5



Fig. 6

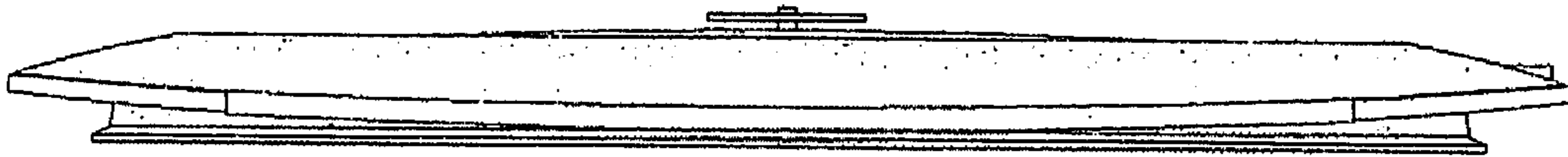


Fig. 7

