

US00D543515S

(12) **United States Design Patent**
Landerholm et al.

(10) **Patent No.:** **US D543,515 S**

(45) **Date of Patent:** **** May 29, 2007**

(54) **ENCLOSURE FOR ELECTRICAL EQUIPMENT**

(75) Inventors: **John Landerholm, Århus (DK); Peter Boldsen Lund, Århus (DK)**

(73) Assignee: **Linak A/S, Nordborg (DK)**

(**) Term: **14 Years**

(21) Appl. No.: **29/258,845**

(22) Filed: **Apr. 28, 2006**

(30) **Foreign Application Priority Data**

Nov. 9, 2005 (DK) DA 2005 00321

(51) **LOC (8) Cl.** **13-03**

(52) **U.S. Cl.** **D13/184**

(58) **Field of Classification Search** D13/184;
D14/240; 174/50, 58, 66, 67, 65 R; 220/308,
220/4.02; 361/622, 679, 687-696, 724, 728,
361/736, 796

See application file for complete search history.

(56) **References Cited**

U.S. PATENT DOCUMENTS

5,574,440 A * 11/1996 Kurtz 340/825.57

D401,226 S * 11/1998 Inoko D13/184
D418,822 S * 1/2000 Worley et al. D14/356
D421,598 S * 3/2000 Berusha et al. D13/184
D448,733 S * 10/2001 Smith D13/152

* cited by examiner

Primary Examiner—Selina Sikder

(74) *Attorney, Agent, or Firm*—Dykema Gossett PLLC

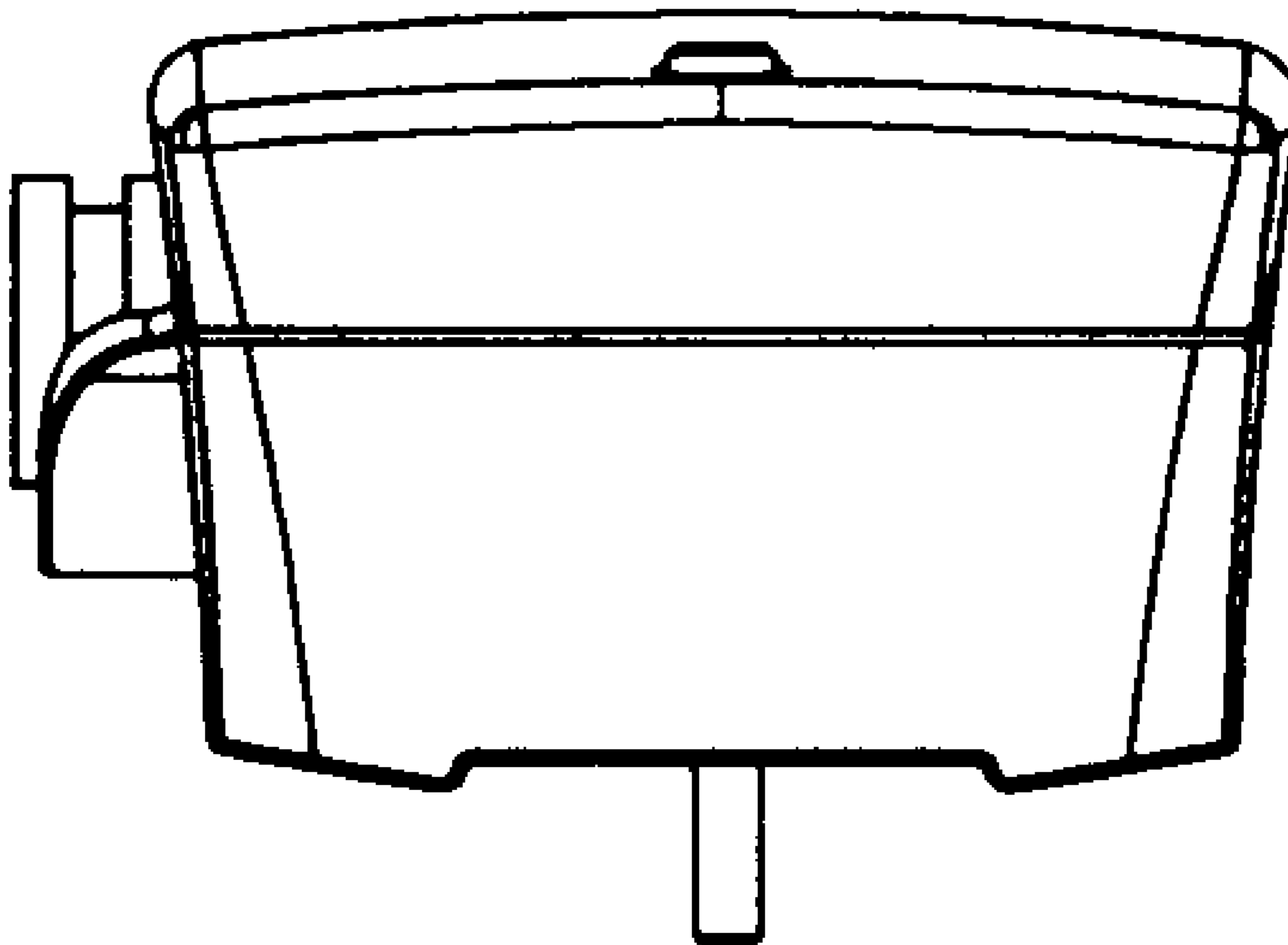
(57) **CLAIM**

The ornamental design for an enclosure for electrical equipment, as shown and described.

DESCRIPTION

FIG. 1 is a top plan view of an enclosure for electrical equipment according to our new design, FIG. 2 is a bottom plan view thereof, FIG. 3 is a front elevational view thereof, FIG. 4 is a rear elevational view thereof, FIG. 5 is a left side elevational view thereof, FIG. 6 is a right side elevational view thereof, FIG. 7 is a front perspective view thereof; and, FIG. 8 is a rear perspective view thereof.

1 Claim, 2 Drawing Sheets



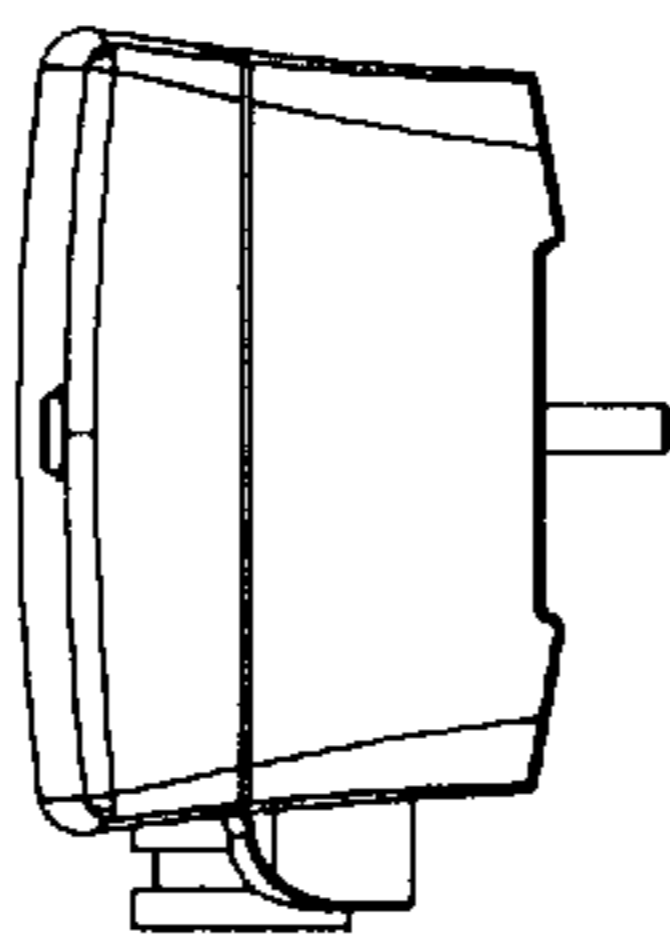


FIG. 1

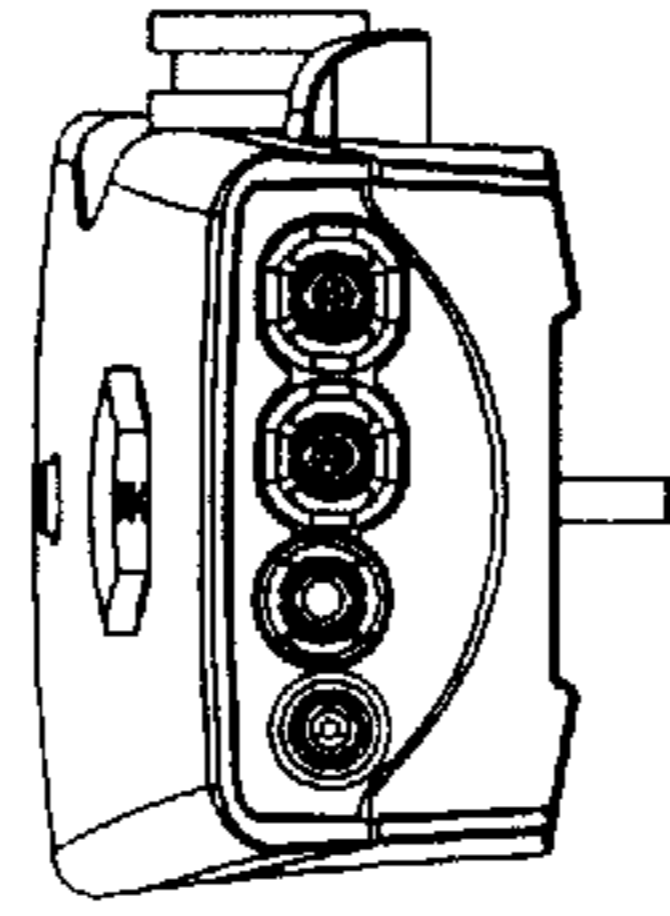


FIG. 2

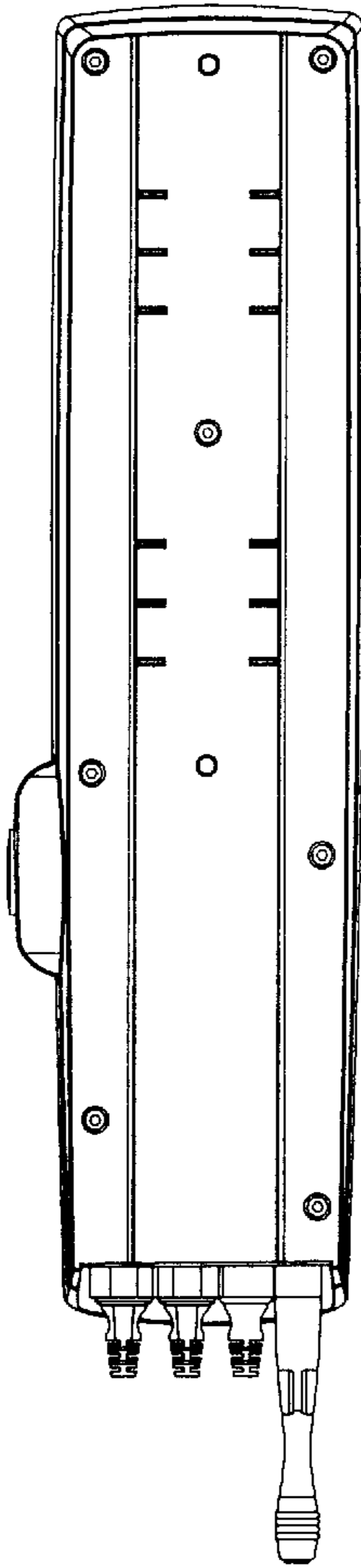


FIG. 3

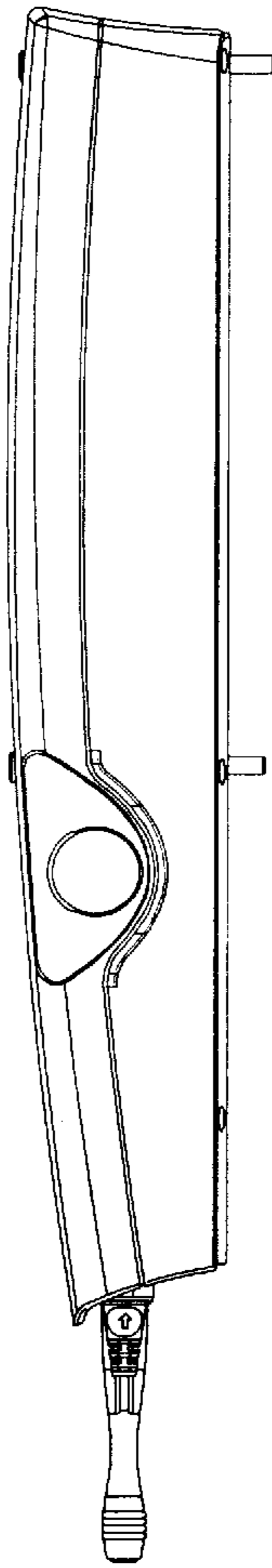


FIG. 4

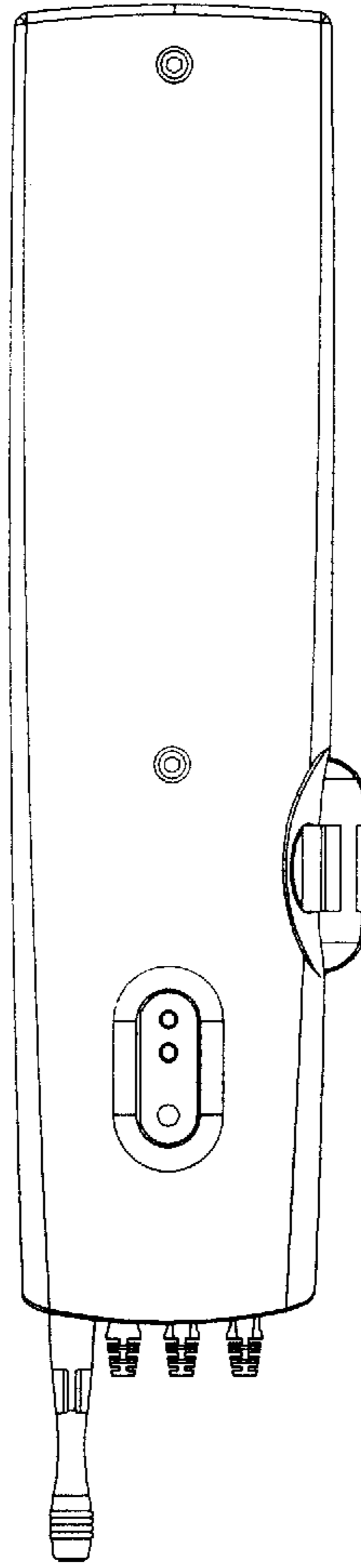


FIG. 5

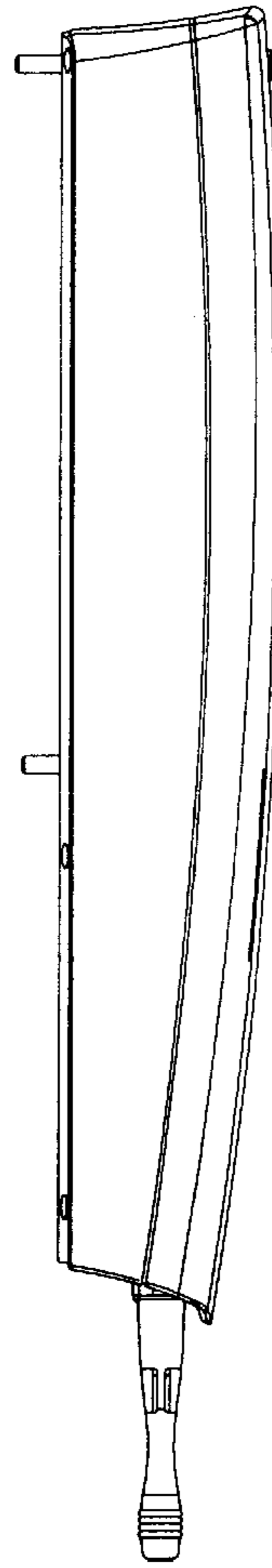


FIG. 6

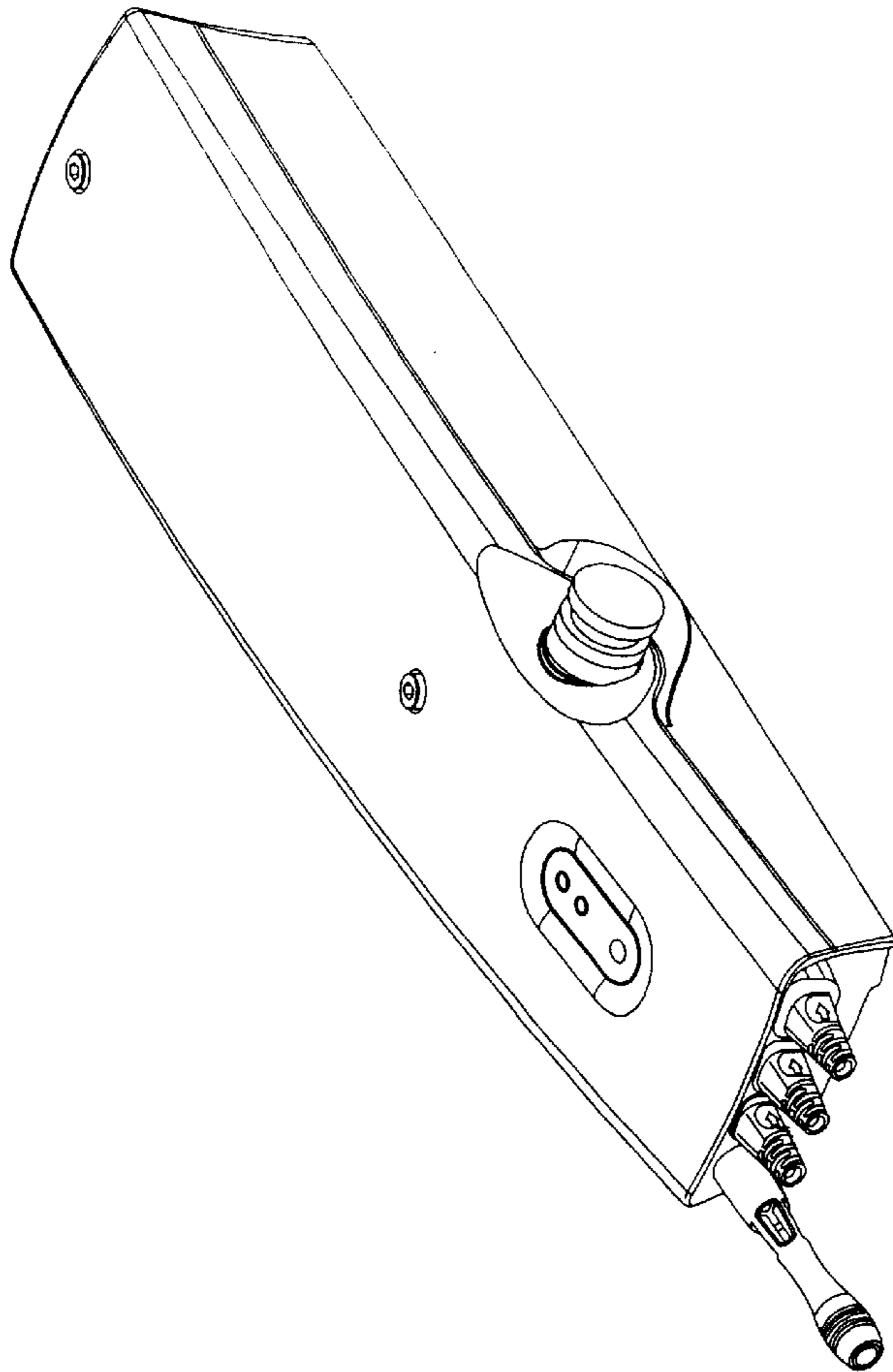


FIG. 7

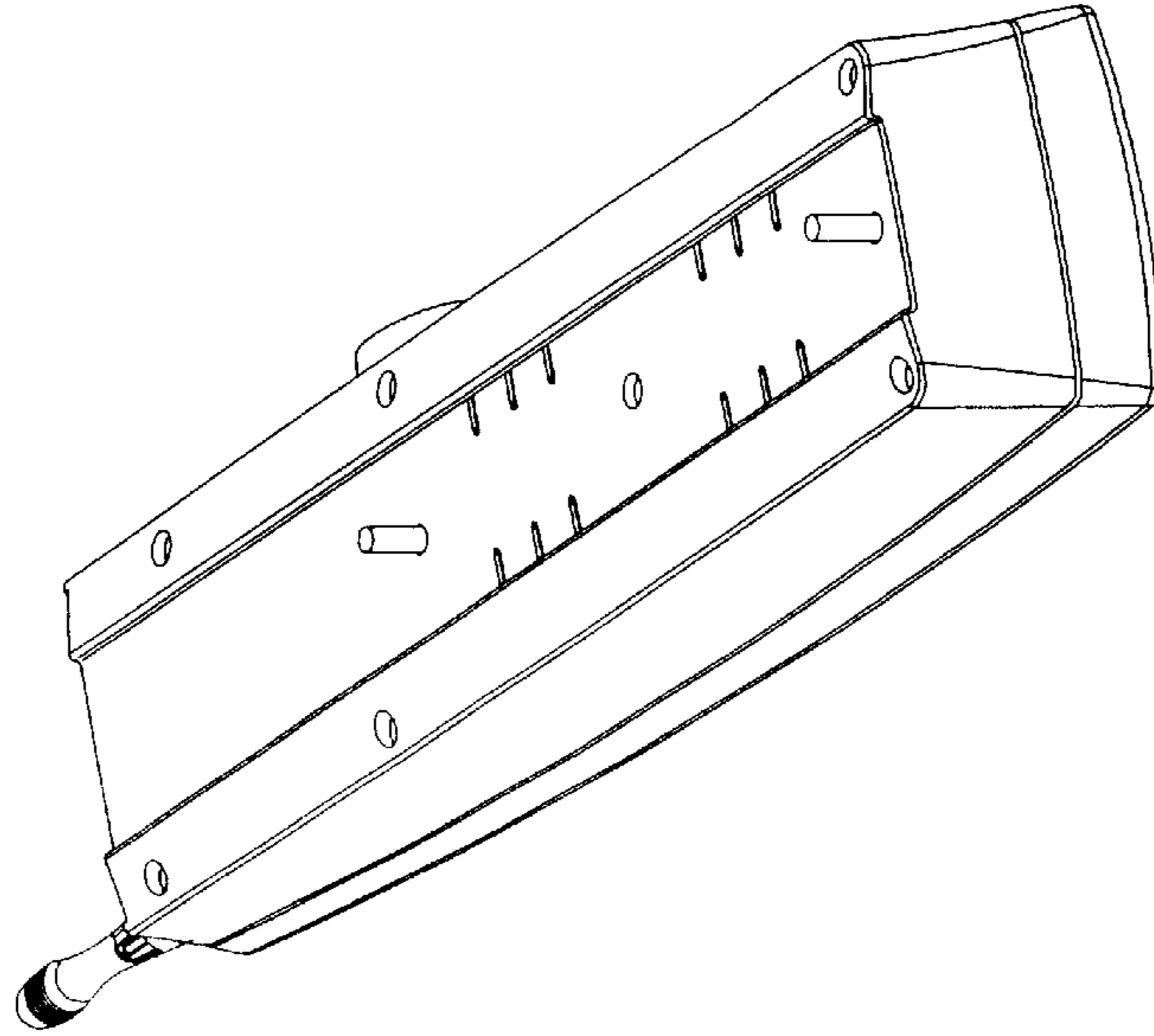


FIG. 8