

US00D543513S

(12) **United States Design Patent**
Allen et al.

(10) **Patent No.:** **US D543,513 S**

(45) **Date of Patent:** **** May 29, 2007**

(54) **COVERAGE UNIT HOUSING**

(75) Inventors: **Steve Allen**, Nepean (CA); **Jean-Pierre Burdett**, Ottawa (CA); **Diane Corrigan**, Trepassey (CA); **Scott Gibson**, Chelsea (CA); **Miles Hammond**, Ottawa (CA); **Colin Kellett**, Ramsbury (GB); **Greg Larocque**, Ottawa (CA); **Mike Roper**, Ottawa (CA); **Paul Simpson**, Lanark (CA); **Greg Smith**, Nepean (CA); **Shane Young**, Nepean (CA)

(73) Assignee: **Spotwave Wierless Canada Inc.**, Ottawa, Ontario (CA)

(**) Term: **14 Years**

(21) Appl. No.: **29/242,115**

(22) Filed: **Nov. 7, 2005**

(51) **LOC (8) Cl.** **13-03**

(52) **U.S. Cl.** **D13/184**

(58) **Field of Classification Search** D13/184;
D14/240; 174/50, 58, 66, 67, 65 R; 220/308,
220/4.02; 361/622, 679, 687-696, 724, 728,
361/736, 796

See application file for complete search history.

(56) **References Cited**

U.S. PATENT DOCUMENTS

D377,338 S * 1/1997 Terleski D13/184
D377,339 S * 1/1997 Beruscha et al. D13/184
D377,652 S * 1/1997 Sarkiniemi D14/240

D380,199 S * 6/1997 Beruscha et al. D13/184
D392,644 S * 3/1998 McGugan D14/240
2004/0062508 A1 * 4/2004 Blankenship et al. 385/134
2005/0175307 A1 * 8/2005 Battery et al. 385/135

* cited by examiner

Primary Examiner—Selina Sikder

(74) *Attorney, Agent, or Firm*—Kent Daniels; Ogilvy Renault LLP

(57) **CLAIM**

We claim the ornamental design of a coverage unit housing, as shown and described.

DESCRIPTION

The design consists of the features of shape and configuration of the coverage unit housing as shown in the attached drawings. The drawings show two designs which do not differ substantially from each other. FIGS. 1 through 4 show the first embodiment and FIGS. 5 and 6 show the second embodiment. The second embodiment shows a segment of the bracket for optional suspension mounting of the coverage unit housing.

FIG. 1 is a front perspective view of the coverage unit housing showing my new design;

FIG. 2 is a rear perspective view thereof;

FIG. 3 is a side elevation view thereof;

FIG. 4 is a front elevation view thereof;

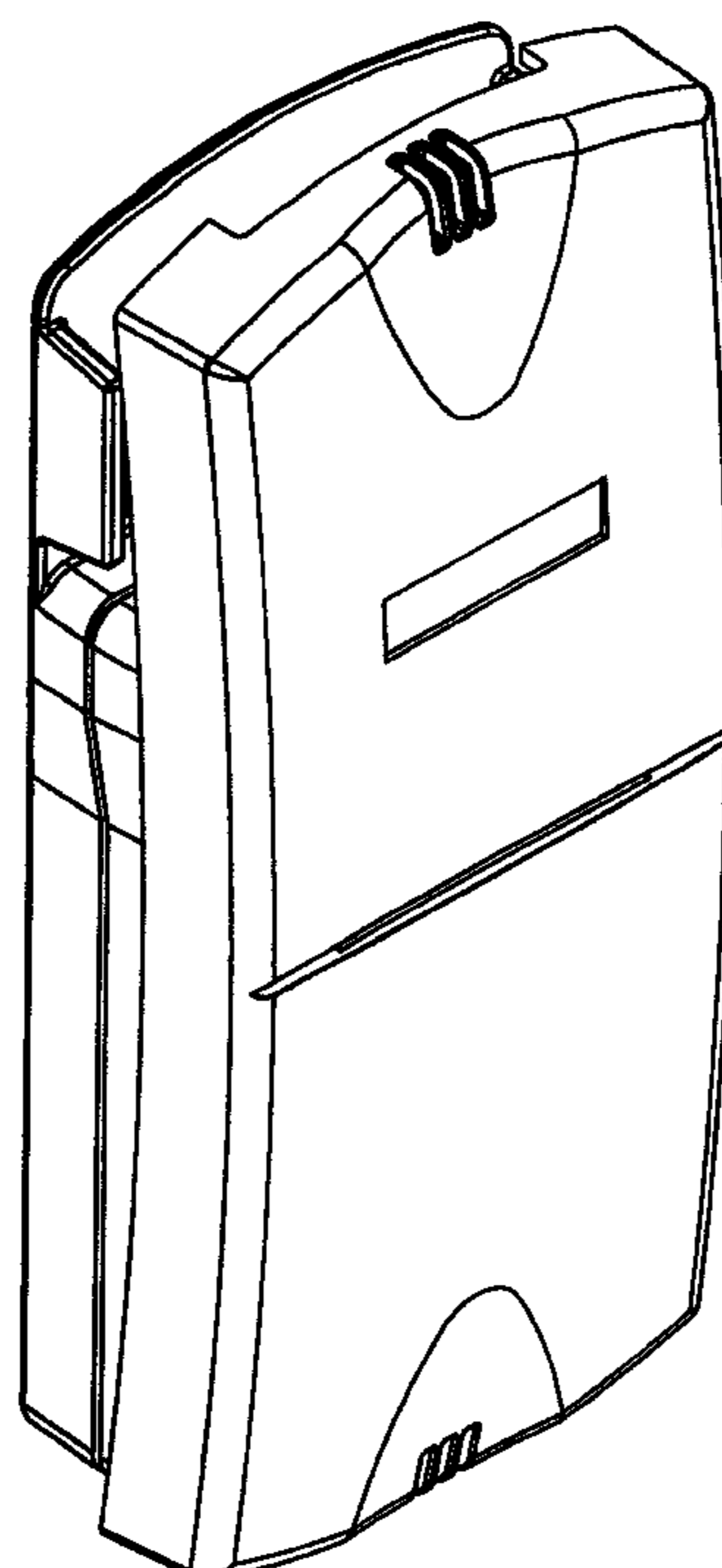
FIG. 5 is a top elevation view thereof;

FIG. 6 is a bottom elevation view thereof; and,

FIG. 7 is a rear elevation view thereof.

The broken line showing of the environment is for illustrative purpose only and forms no part of the claimed design.

1 Claim, 6 Drawing Sheets



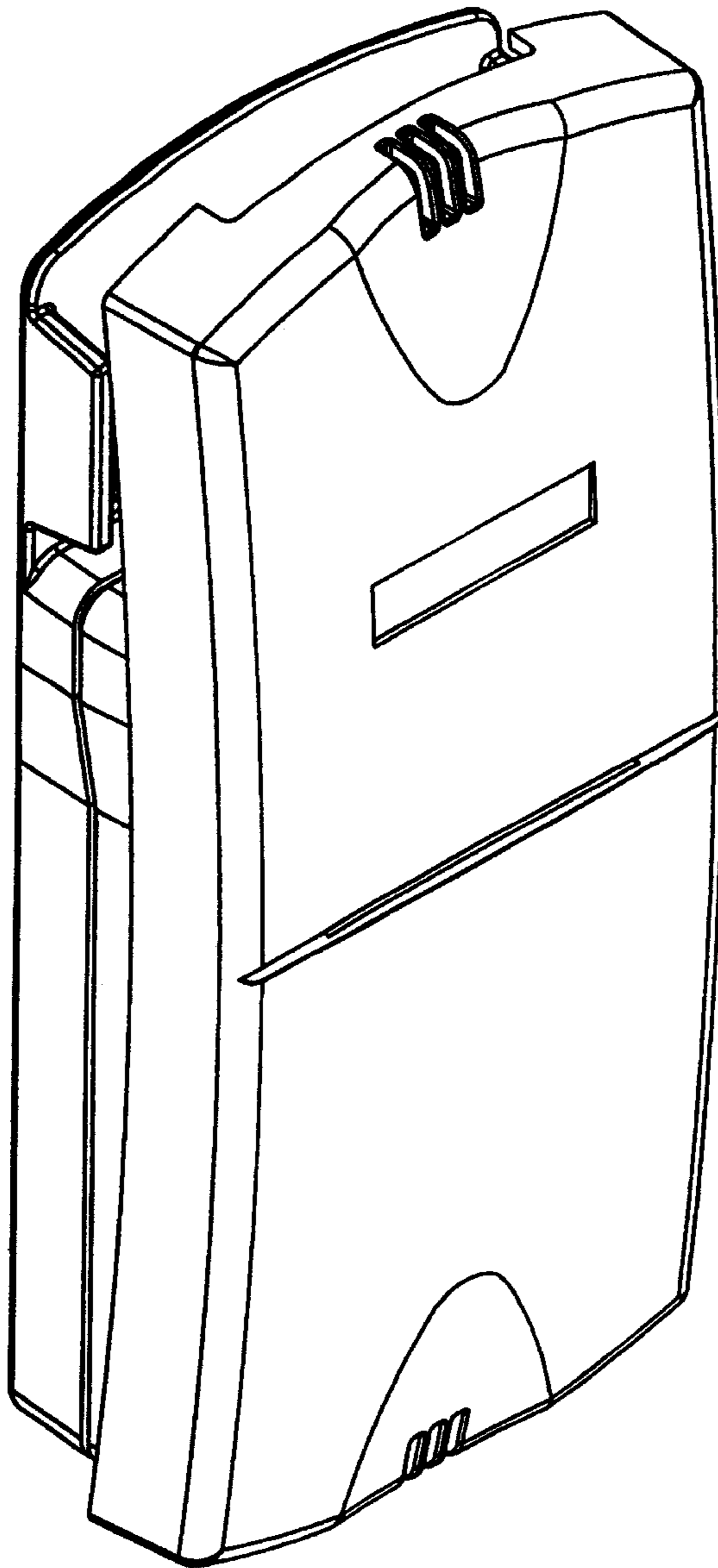


Figure 1

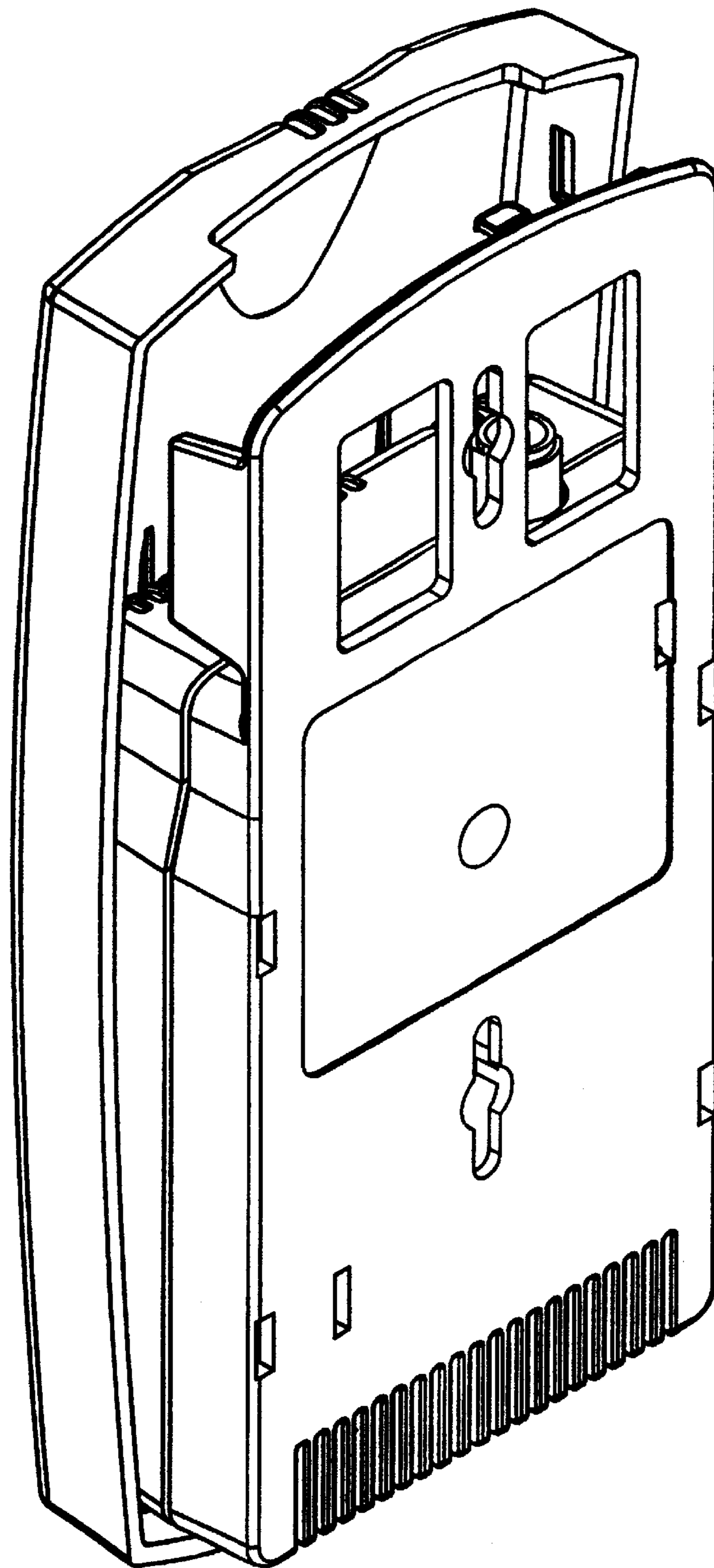


Figure 2

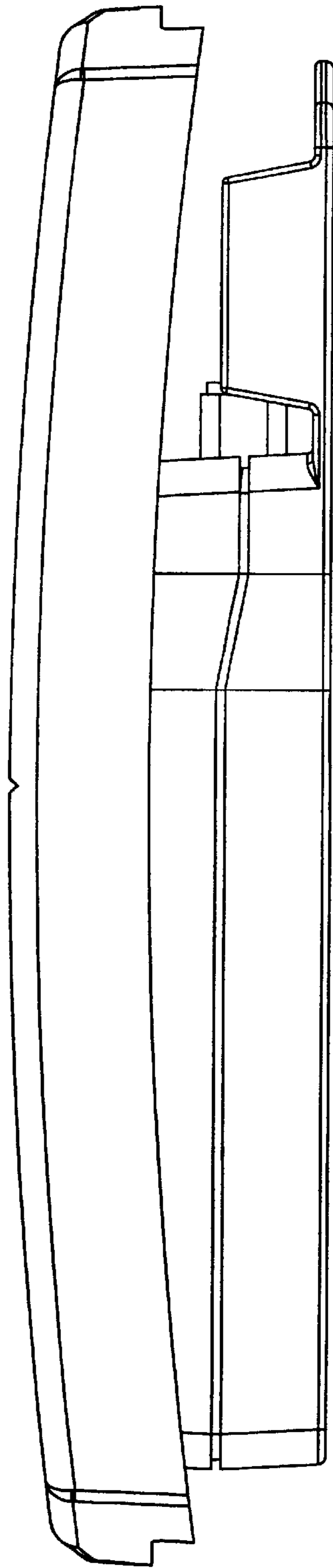


Figure 3

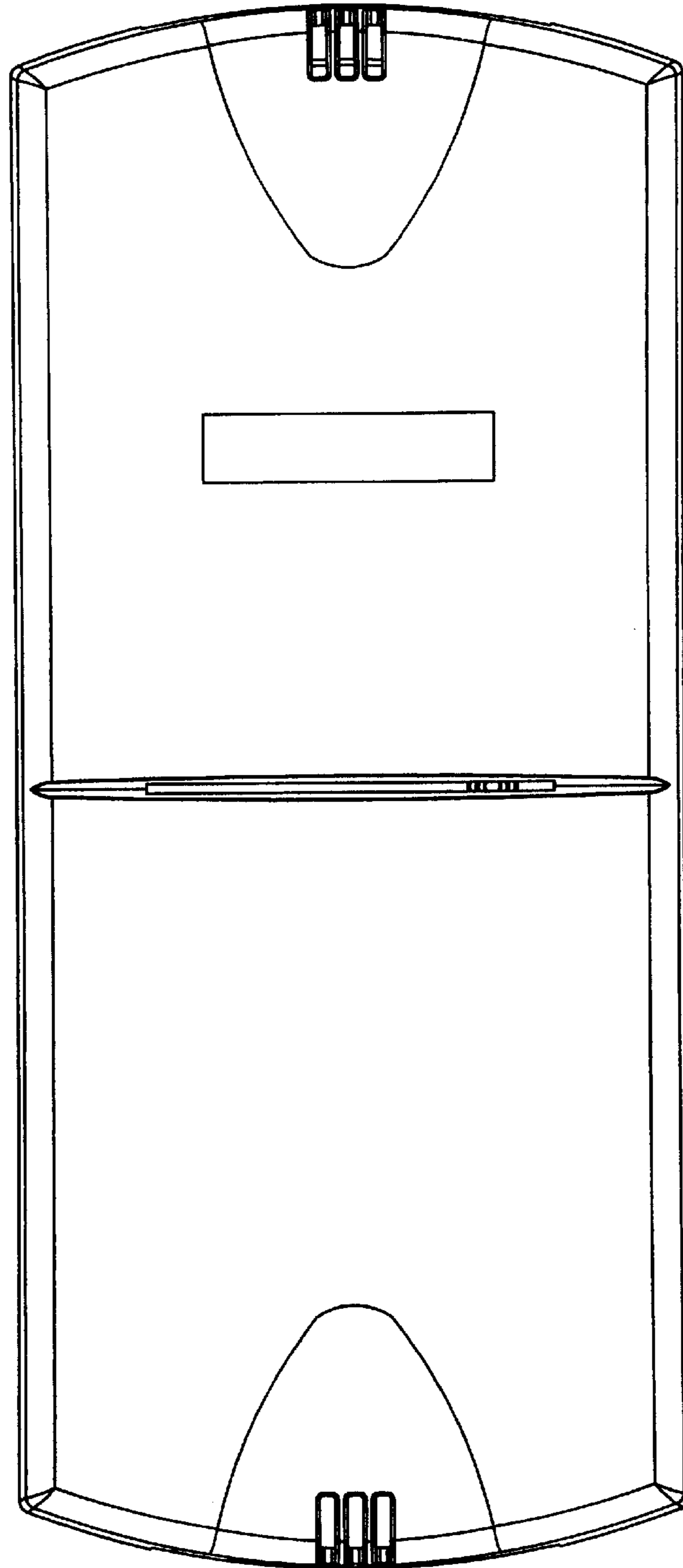


Figure 4

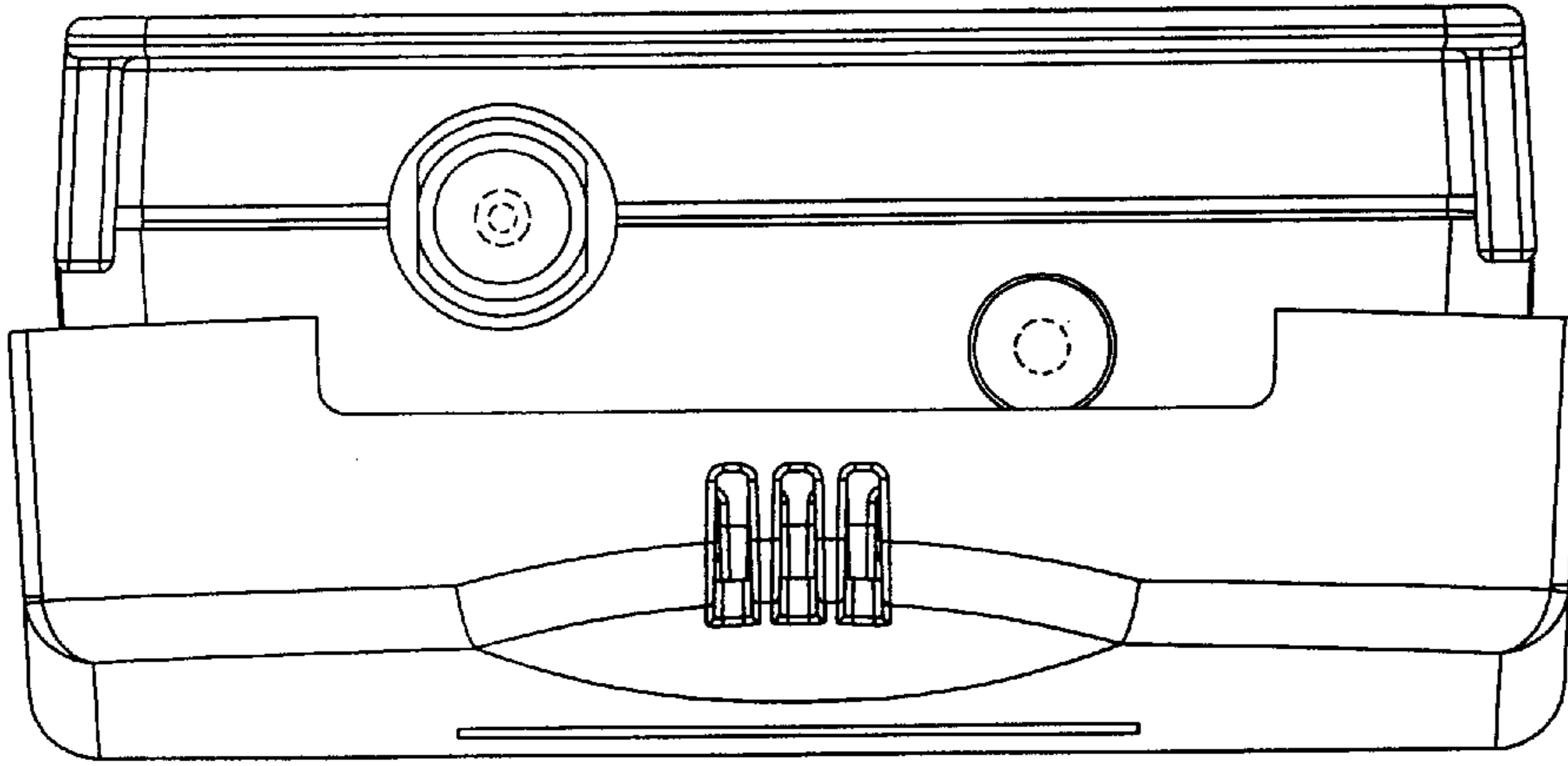


Figure 5

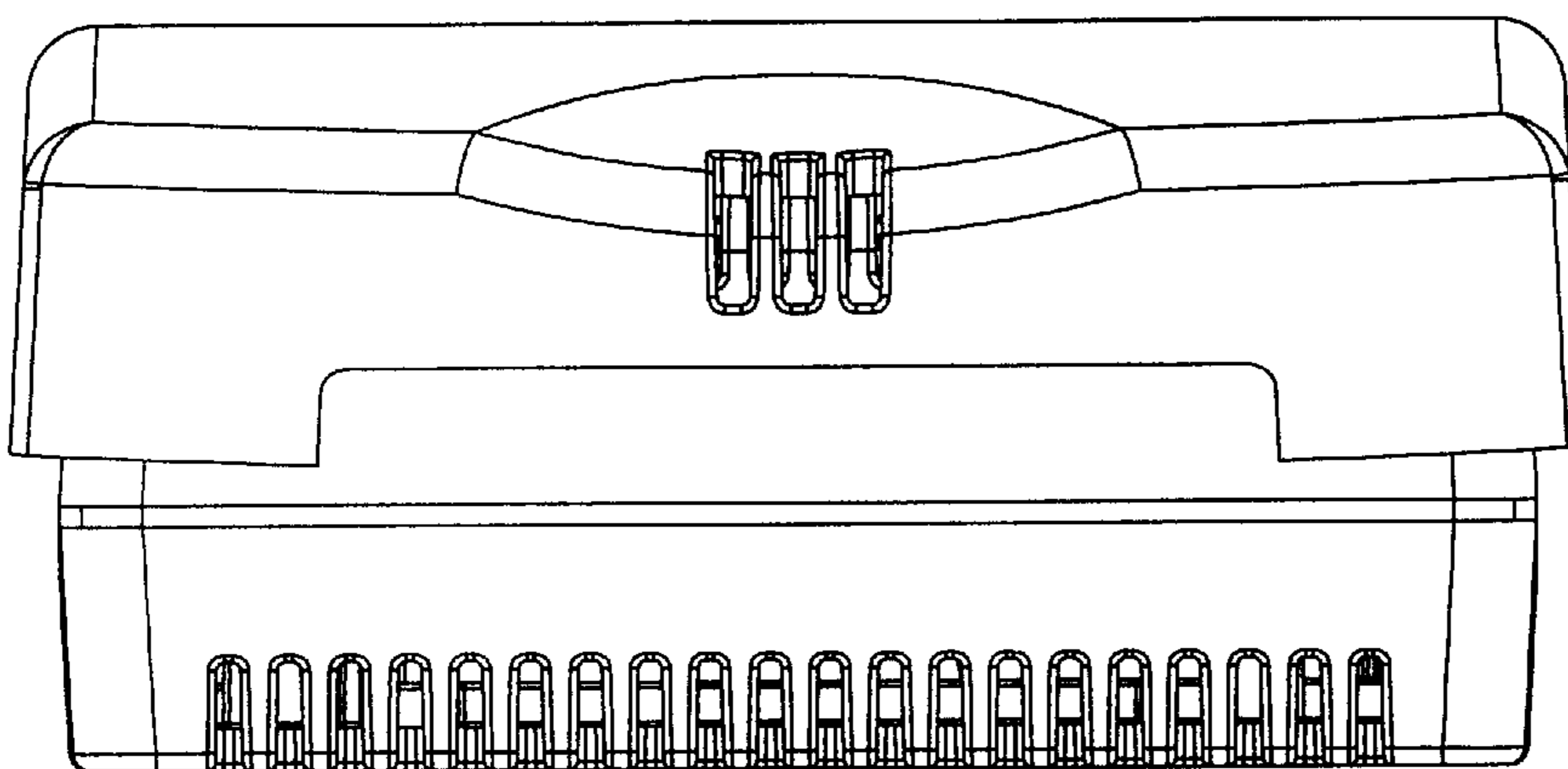


Figure 6

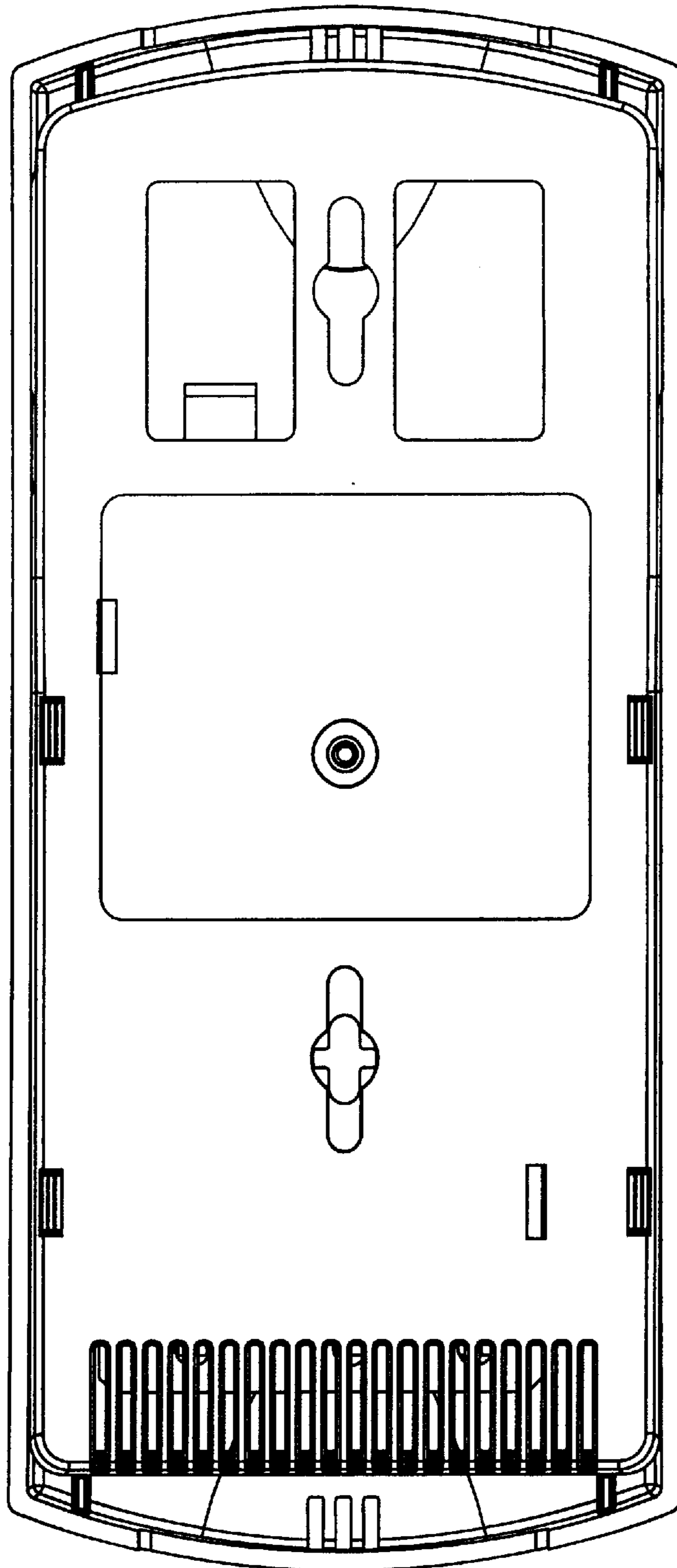


Figure 7