

US00D543512S

(12) **United States Design Patent**
Schürg et al.

(10) **Patent No.:** **US D543,512 S**

(45) **Date of Patent:** **** May 29, 2007**

(54) **FOOT-OPERATED SWITCH**

2005/0138727 A1 * 6/2005 Faux et al. 5/81.1 R

(75) Inventors: **Peter Schürg**, Mössingen (DE);
Roland Hundt, Neckartailfingen (DE)

* cited by examiner

Primary Examiner—Selina Sikder

(73) Assignee: **ERBE Elektromedizin GmbH**,
Tübingen (DE)

(74) *Attorney, Agent, or Firm*—Akin Gump Strauss Hauer
& Feld, LLP

(**) Term: **14 Years**

(57) **CLAIM**

The ornamental design for a foot-operated switch, as shown
and described.

(21) Appl. No.: **29/256,057**

(22) Filed: **Mar. 15, 2006**

DESCRIPTION

(51) **LOC (8) Cl.** **13-03**

(52) **U.S. Cl.** **D13/167**

(58) **Field of Classification Search** D13/167;
D15/72; D24/179; 5/600, 616; 74/512, 616;
200/43.01, 61.09, 61.89, 86.5, 86 R; 297/71,
297/330; 338/153; 433/101

See application file for complete search history.

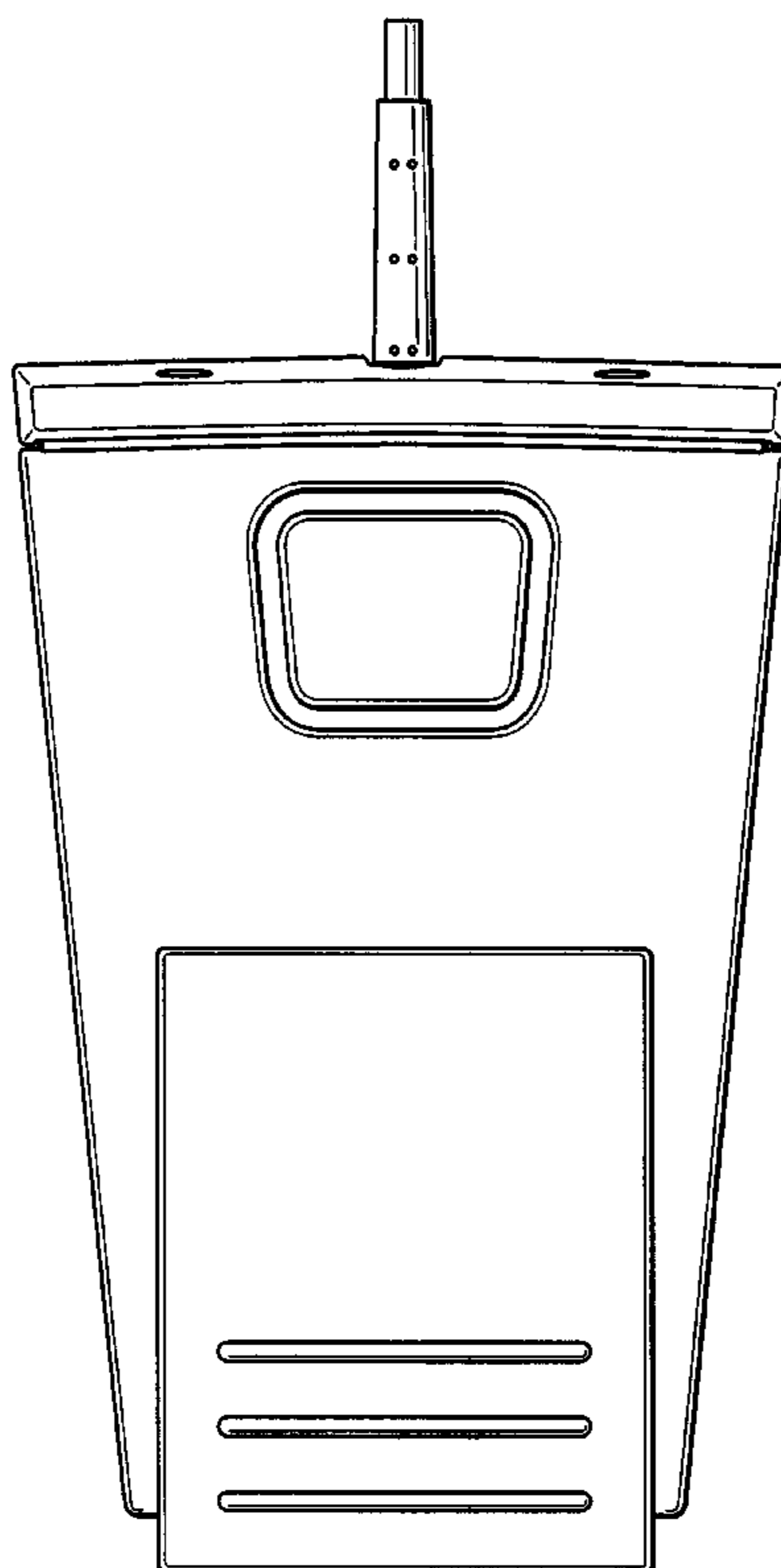
FIG. 1 is a top plan view of a first embodiment of a
foot-operated switch in accordance with our new design;
FIG. 2 is a side perspective view thereof;
FIG. 3 is a rear elevation view thereof;
FIG. 4 is a left elevation view thereof, the right elevation
view being a mirror image;
FIG. 5 is a bottom plan view thereof;
FIG. 6 is a front elevation view thereof;
FIG. 7 is a top plan view of a second embodiment of the
foot-operated switch in accordance with our new design;
FIG. 8 is a side perspective view thereof;
FIG. 9 is a rear elevation view thereof;
FIG. 10 is a left elevation view thereof, the right elevation
view being a mirror image;
FIG. 11 is a bottom plan view thereof; and,
FIG. 12 is a front elevation view thereof.

(56) **References Cited**

U.S. PATENT DOCUMENTS

- 5,422,521 A * 6/1995 Neer et al. 307/119
- 5,535,642 A * 7/1996 Moll 74/561
- 5,568,859 A * 10/1996 Levy et al. 200/43.01
- 6,064,015 A * 5/2000 Braaten 200/86.5
- 6,313,421 B1 * 11/2001 Abrahamsen 200/332.1
- 7,058,998 B2 * 6/2006 Diller et al. 5/614
- 2003/0004497 A1 * 1/2003 Chappuis 606/1
- 2005/0109595 A1 * 5/2005 Mezinsky et al. 200/86.5

1 Claim, 12 Drawing Sheets



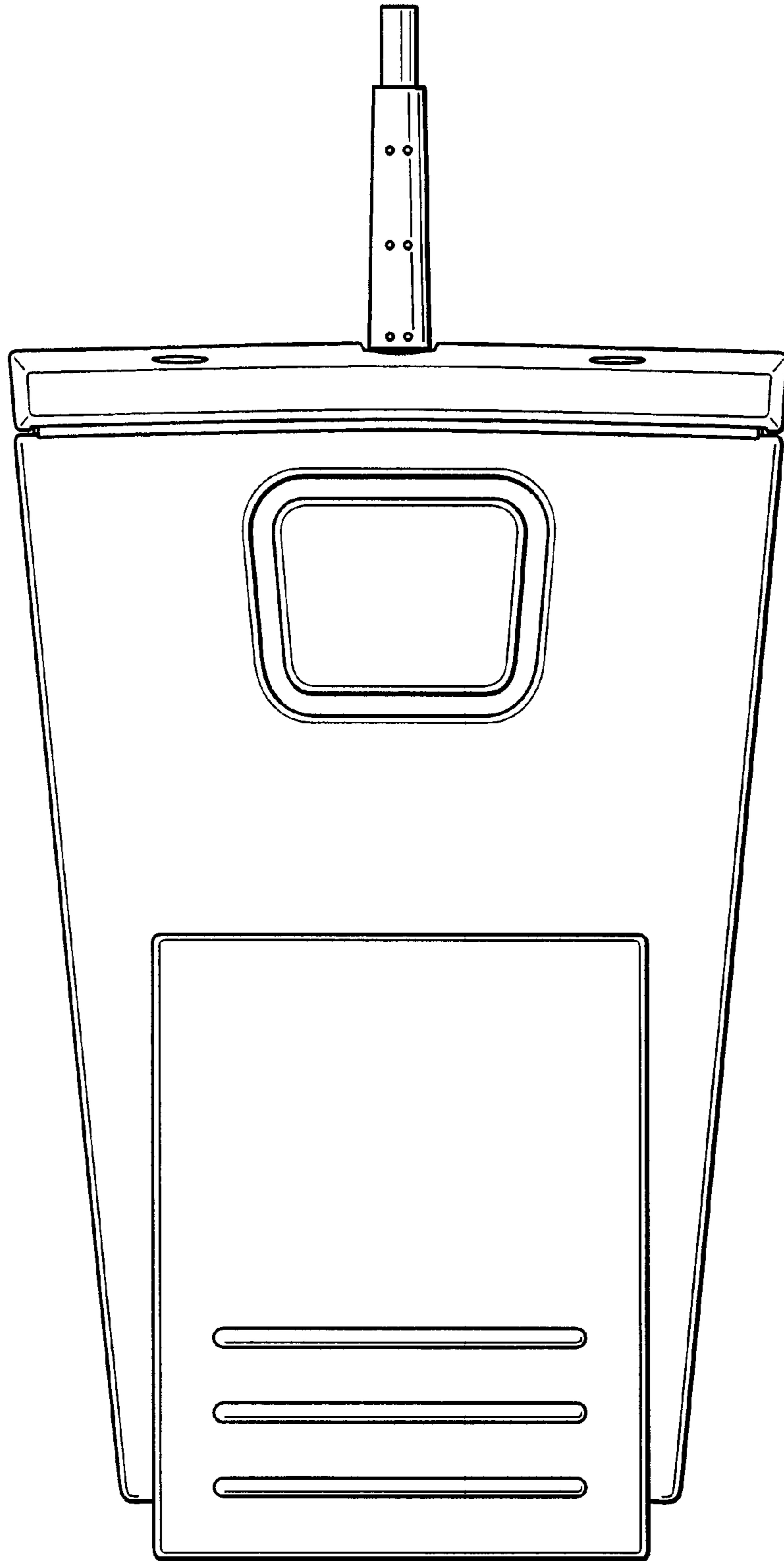


Fig. 1

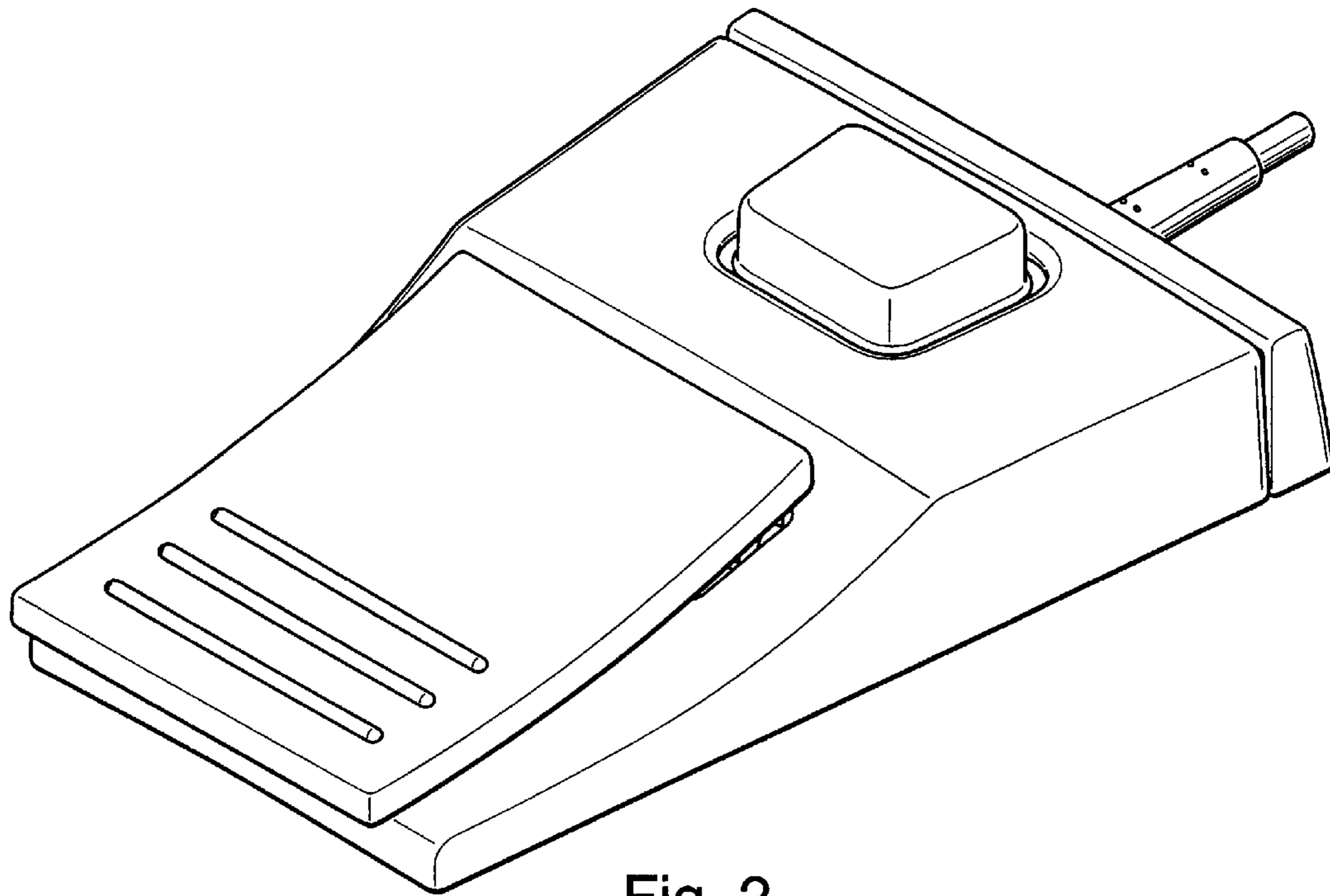


Fig. 2

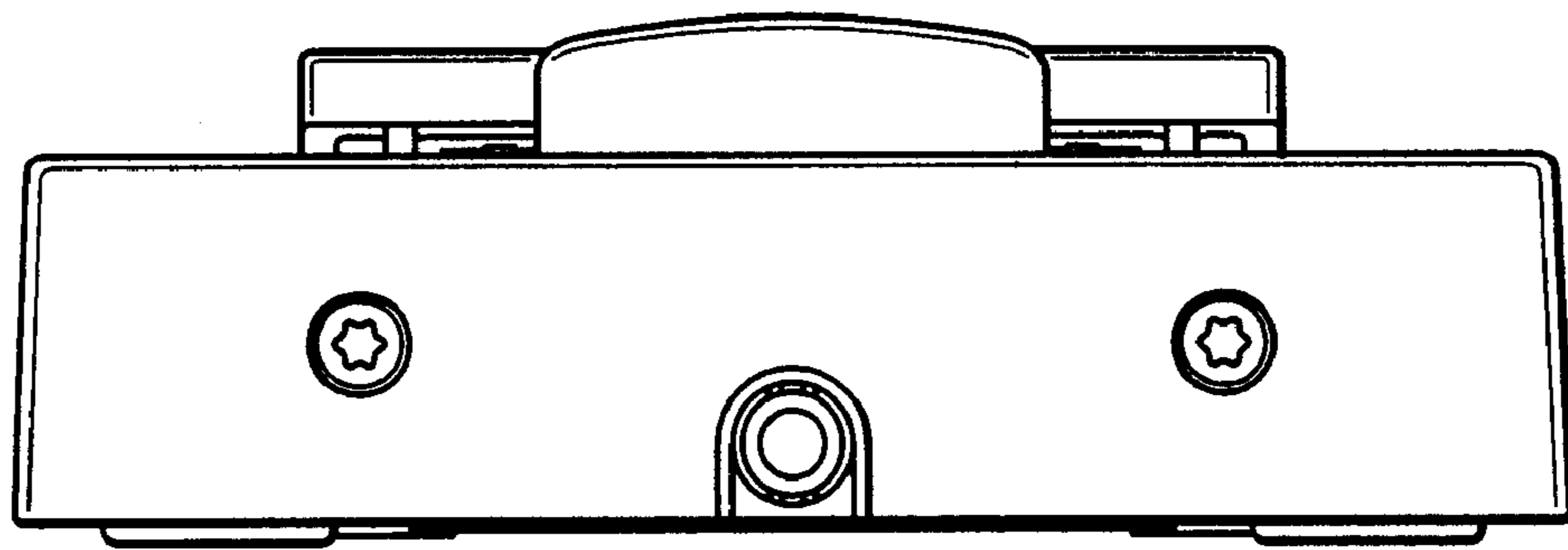


Fig. 3

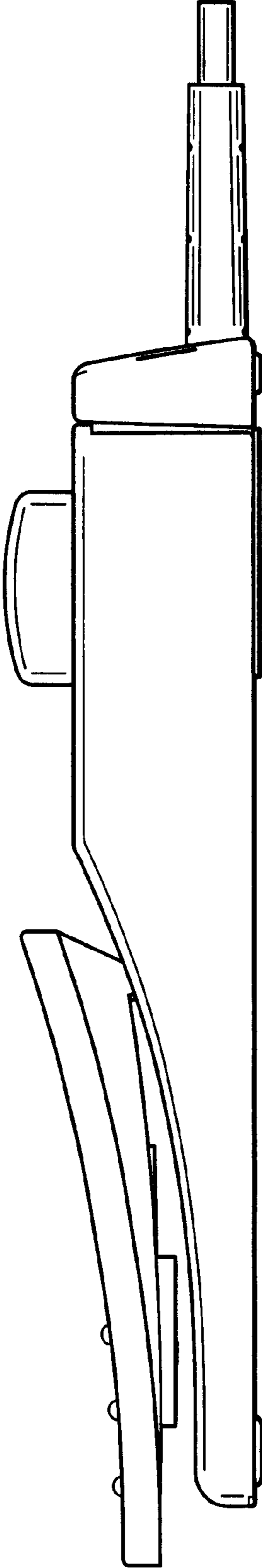


Fig. 4

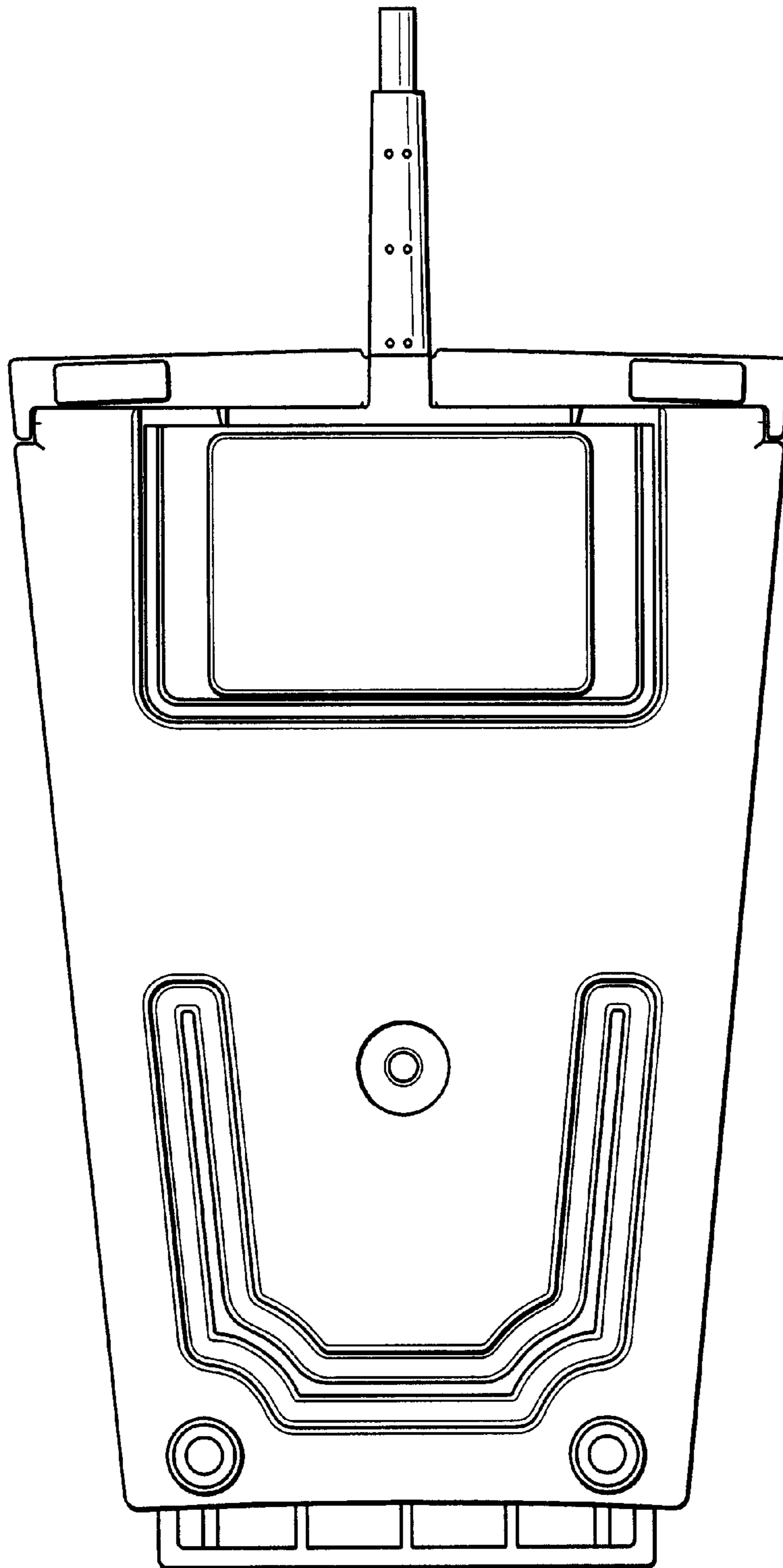


Fig. 5

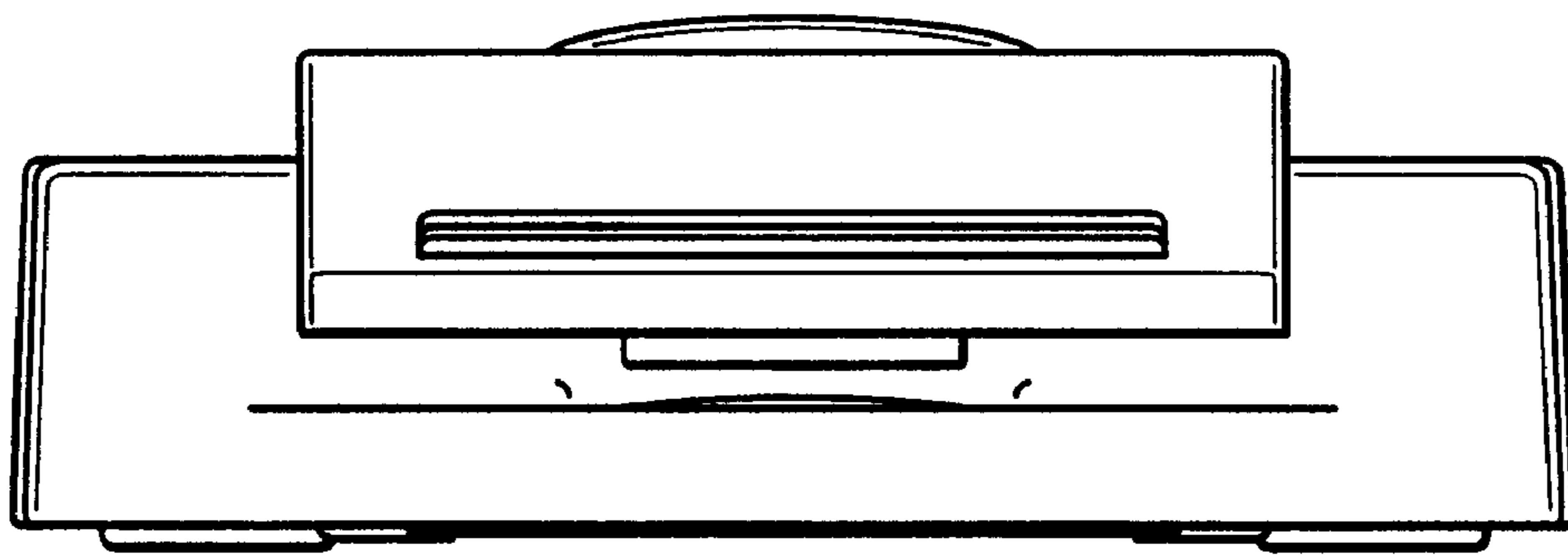


Fig. 6

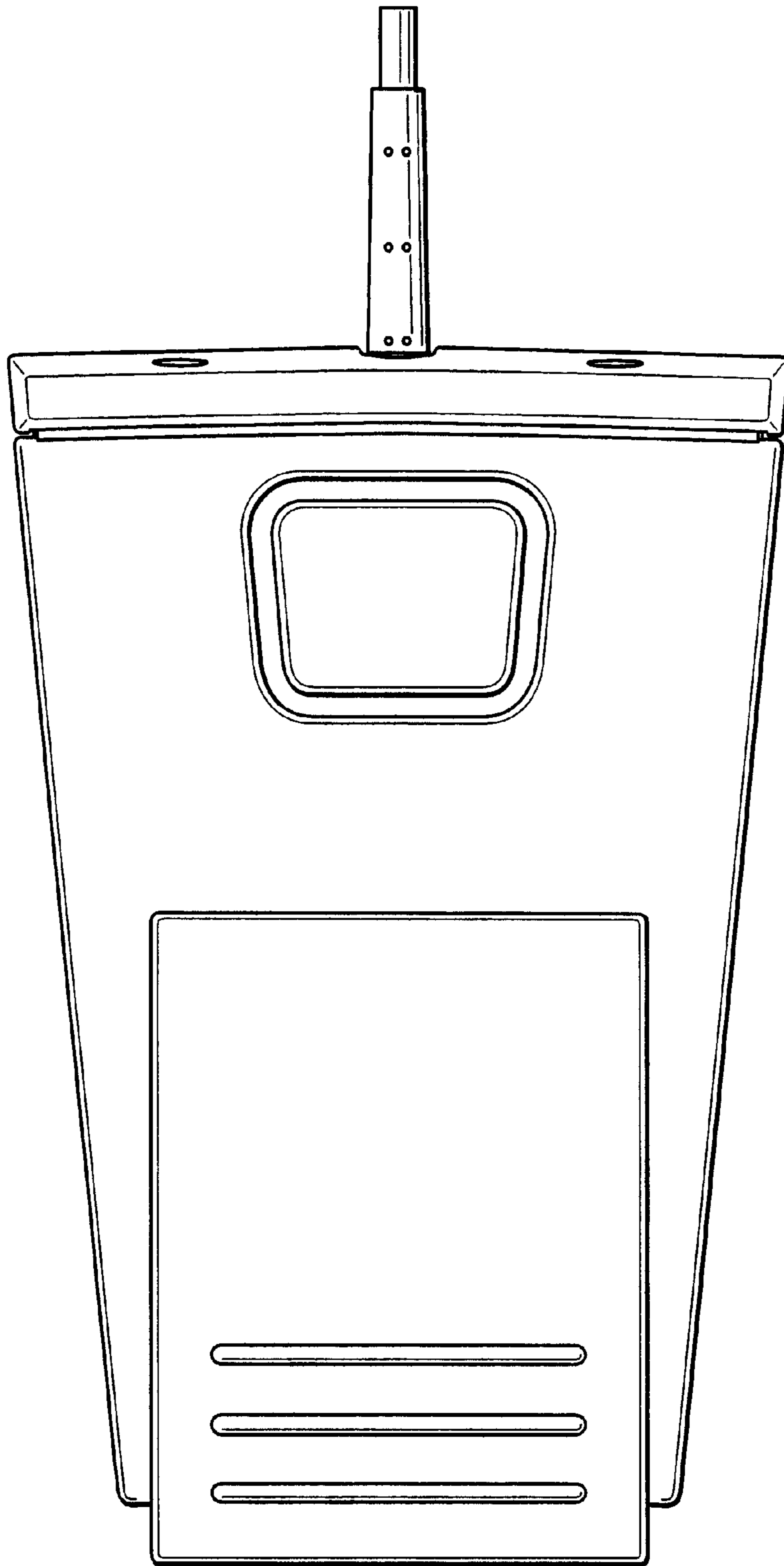


Fig. 7

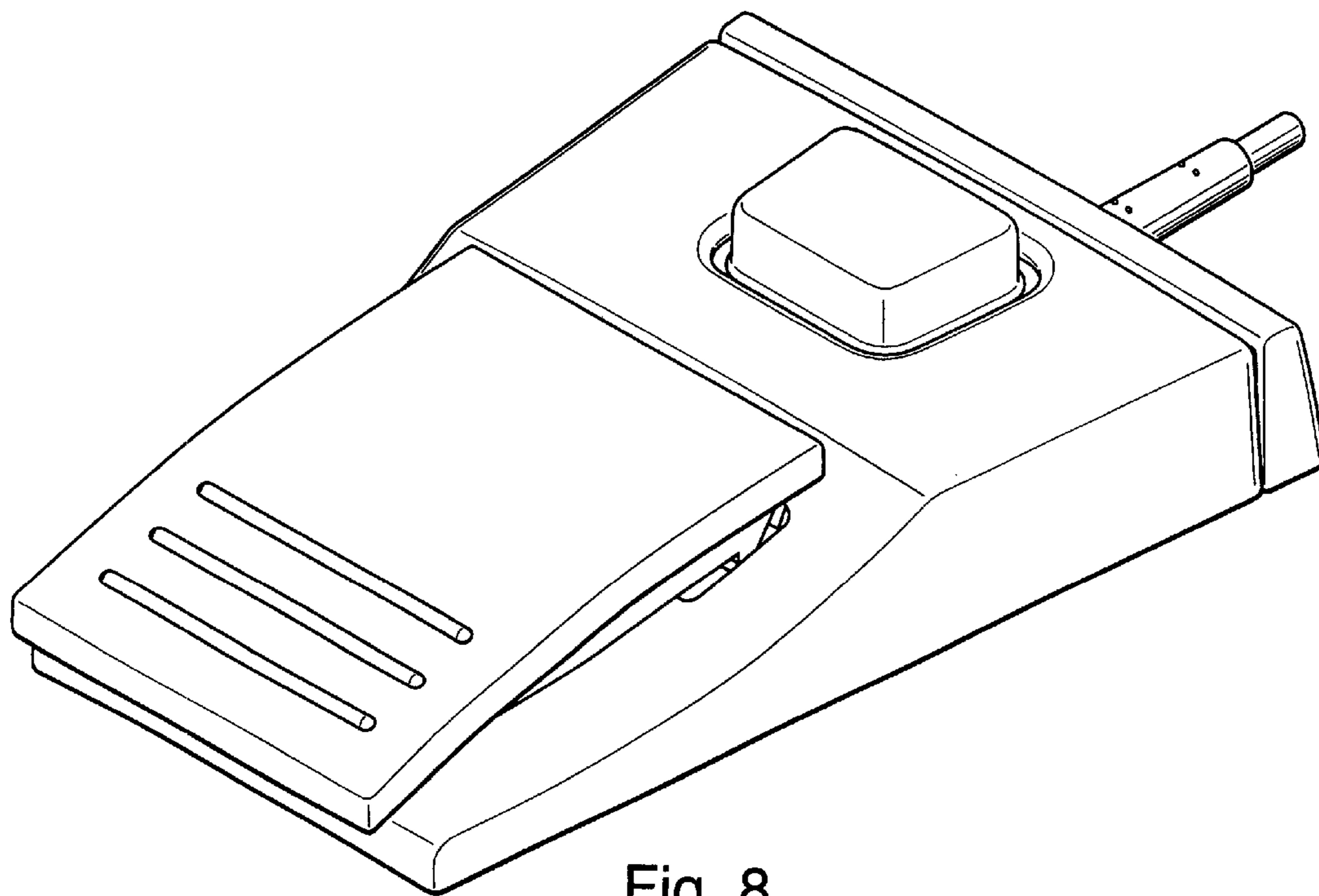


Fig. 8

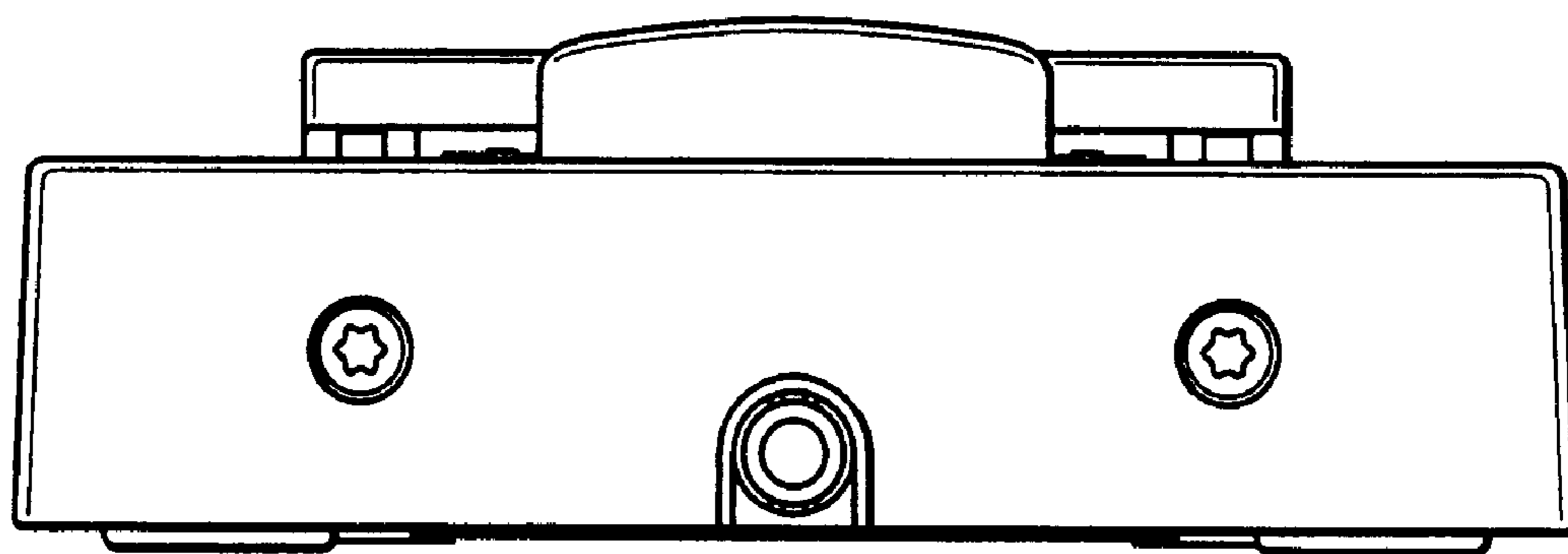


Fig. 9

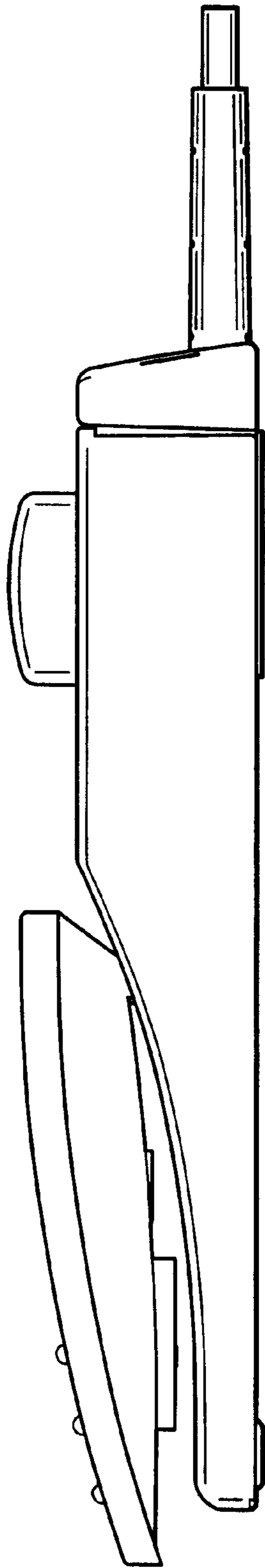


Fig. 10

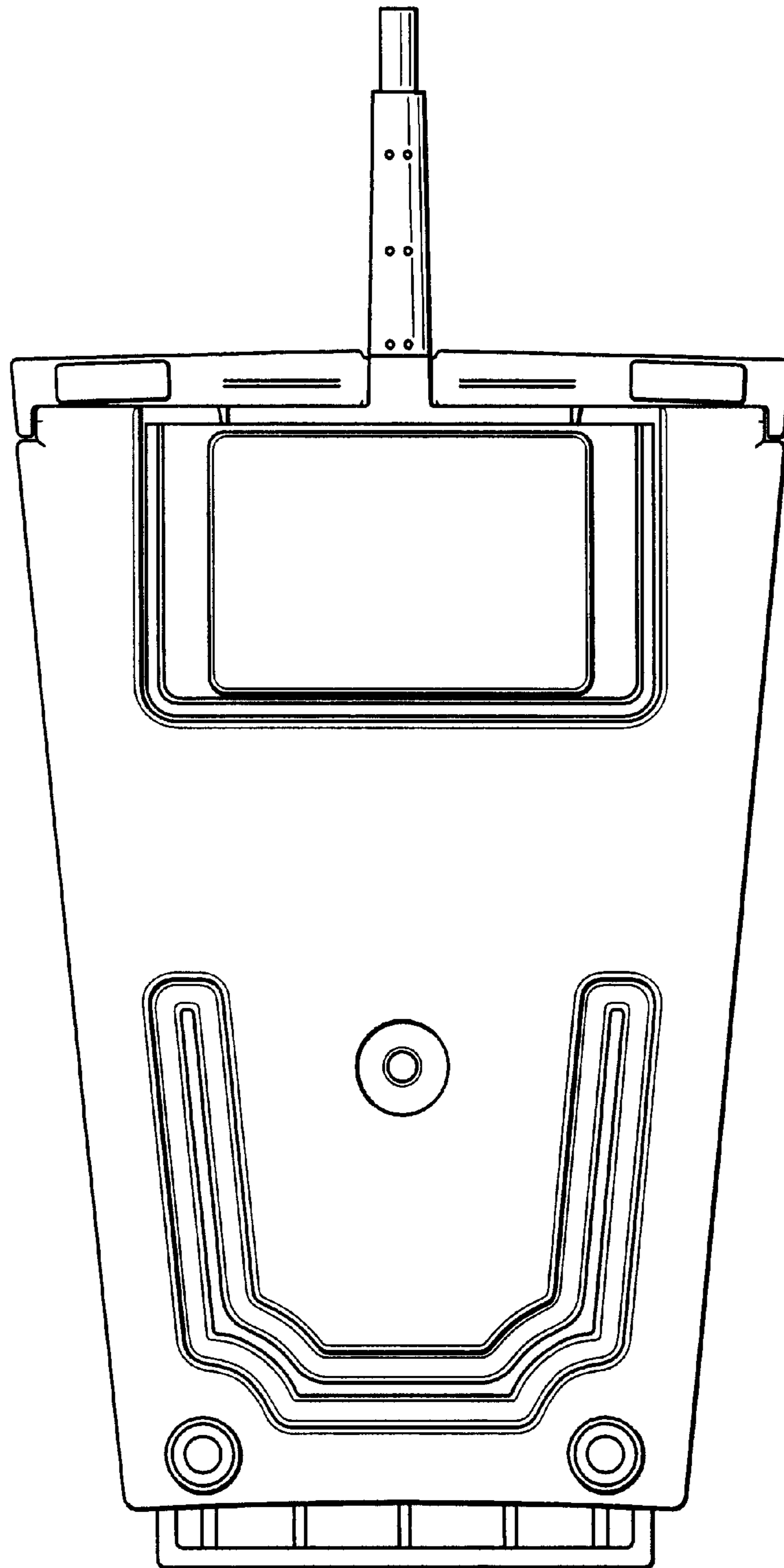


Fig. 11

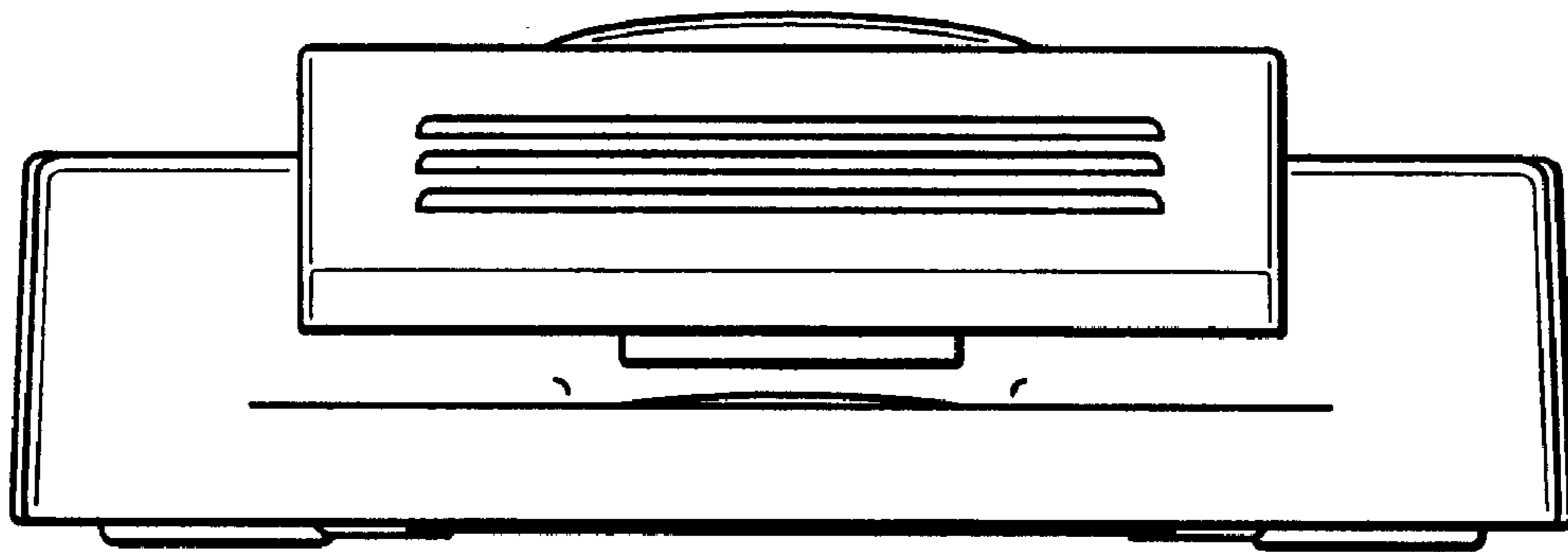


Fig. 12