

US00D543507S

(12) **United States Design Patent**
Peng

(10) **Patent No.:** **US D543,507 S**

(45) **Date of Patent:** **** May 29, 2007**

(54) **ELECTRICAL CONNECTOR**

(75) Inventor: **Bin Peng**, Kunshan (CN)

(73) Assignee: **Hon Hai Precision Ind. Co., Ltd.**,
Taipei Hsien (TW)

(**) Term: **14 Years**

(21) Appl. No.: **29/237,631**

(22) Filed: **Sep. 2, 2005**

(30) **Foreign Application Priority Data**

Apr. 19, 2005 (CN) 200530082748

(51) **LOC (8) Cl.** **13-03**

(52) **U.S. Cl.** **D13/147**

(58) **Field of Classification Search** D13/133,
D13/146-147, 154, 184, 199; 439/79, 108,
439/135, 291, 328, 607-610, 626, 629, 636
See application file for complete search history.

(56) **References Cited**

U.S. PATENT DOCUMENTS

D251,246 S * 3/1979 Thomas et al. D13/147
4,832,625 A * 5/1989 Puerner 439/681
5,194,017 A * 3/1993 Consoli 439/492

D502,143 S * 2/2005 Chiu et al. D13/147
D502,448 S * 3/2005 Wu D13/147
D518,437 S * 4/2006 Yoneyama et al. D13/147
D518,773 S * 4/2006 Kurasaki D13/133

* cited by examiner

Primary Examiner—Daniel Bui

(74) *Attorney, Agent, or Firm*—Wei Te Chung

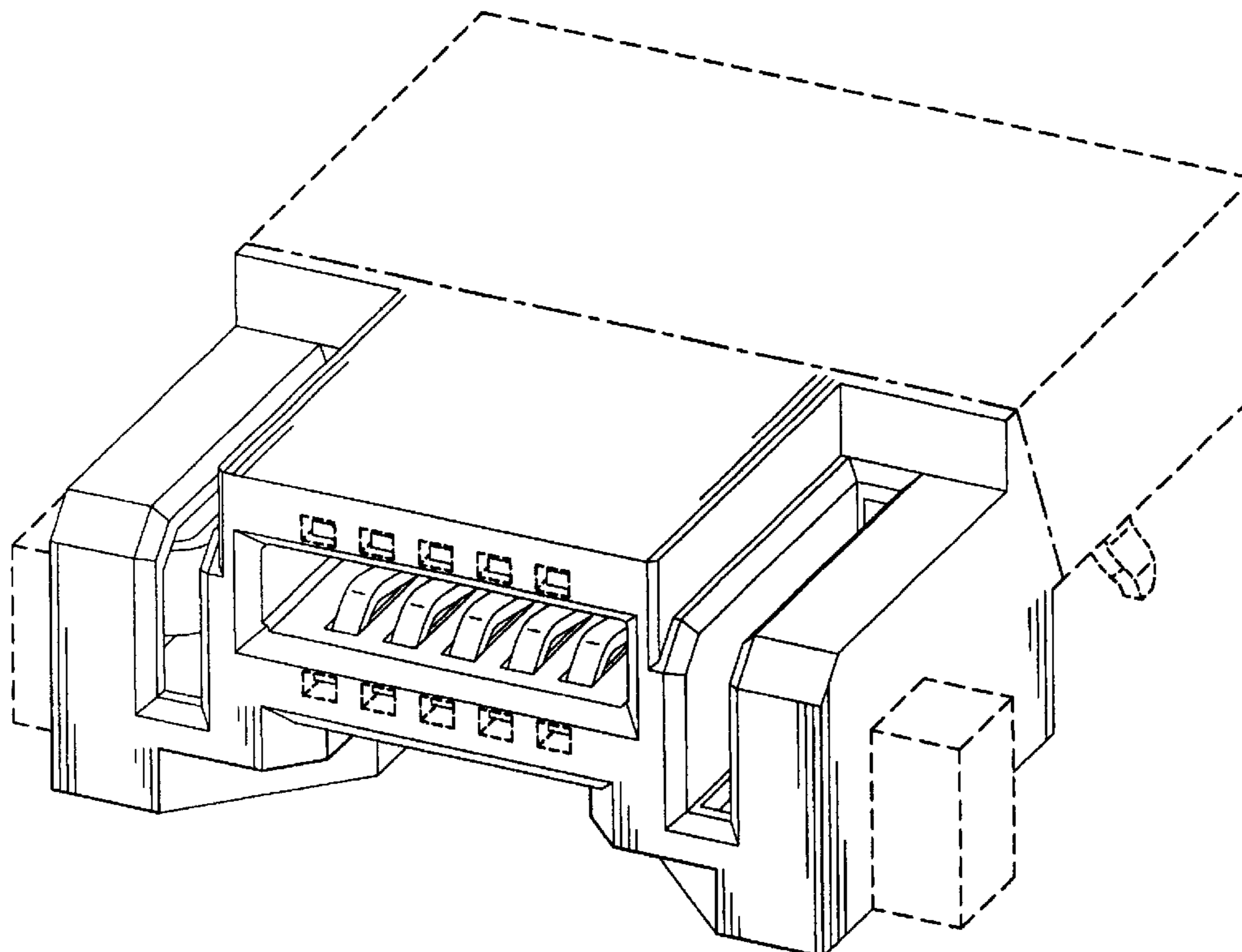
(57) **CLAIM**

The ornamental design for an electrical connector, as shown and described.

DESCRIPTION

FIG. 1 is a top, front and right side perspective view of an electrical connector, showing my new design;
FIG. 2 is a front elevation view thereof;
FIG. 3 is a left side elevation view thereof;
FIG. 4 is a right side elevation view thereof;
FIG. 5 is a top plan view thereof; and,
FIG. 6 is a bottom plan view thereof.
The dash-dot line represents the boundary of the claimed design. The broken line showing of the environment is for illustrative purposes only and form no part of the claimed design.

1 Claim, 6 Drawing Sheets



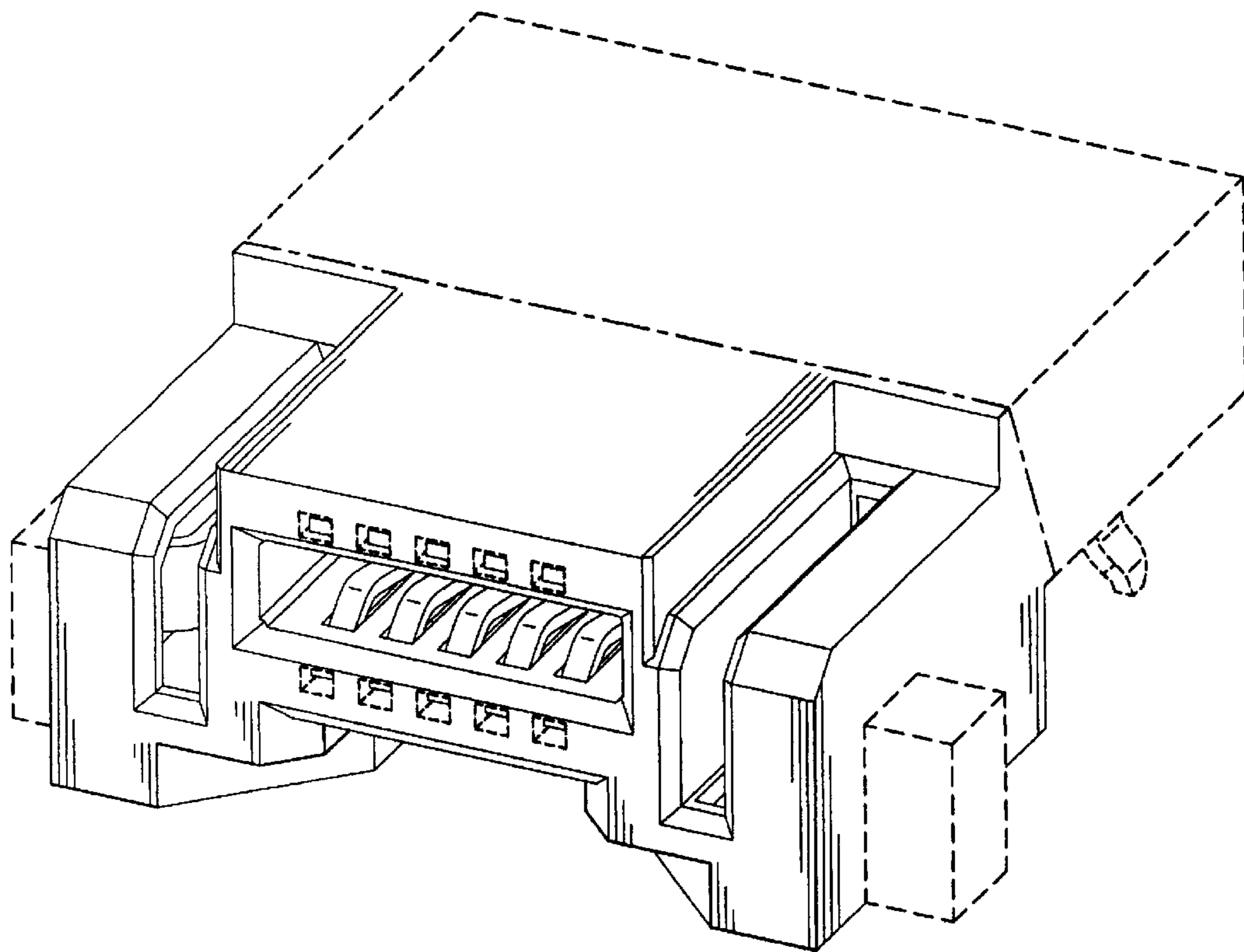


FIG. 1

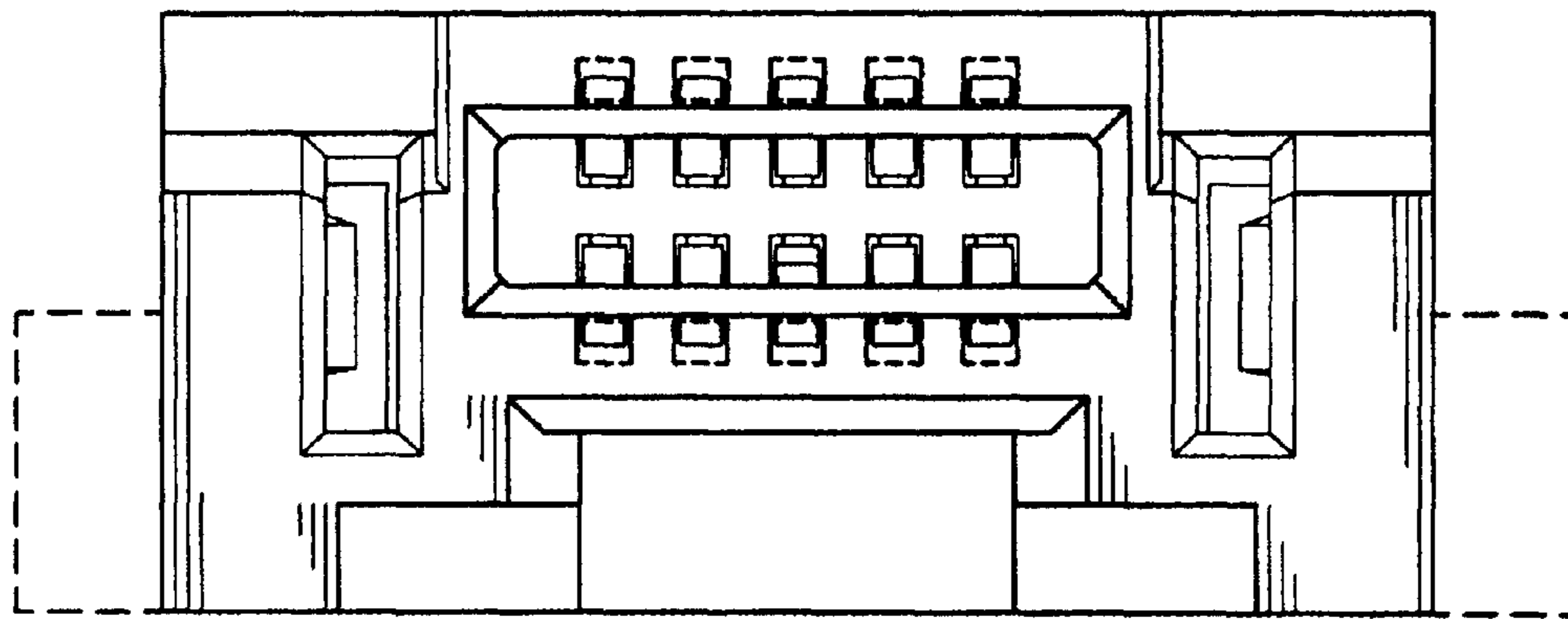


FIG. 2

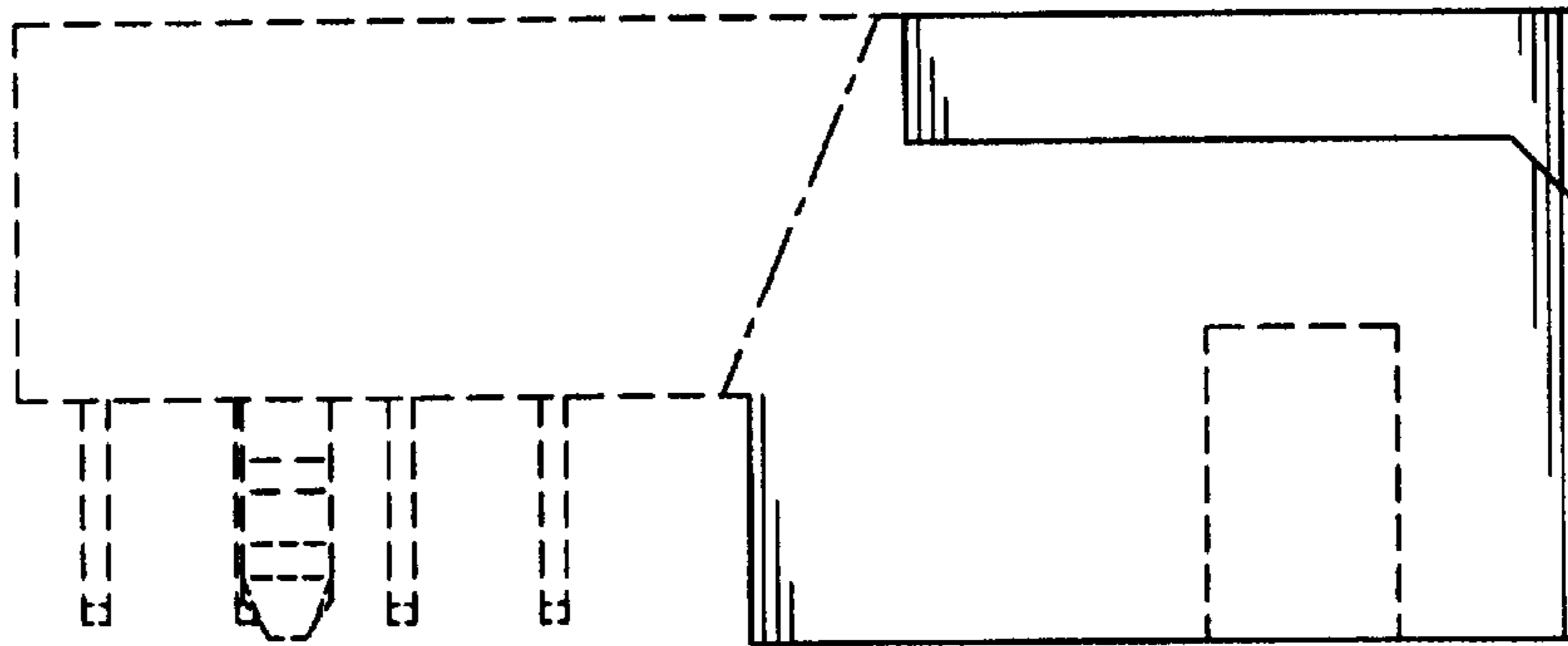


FIG. 3

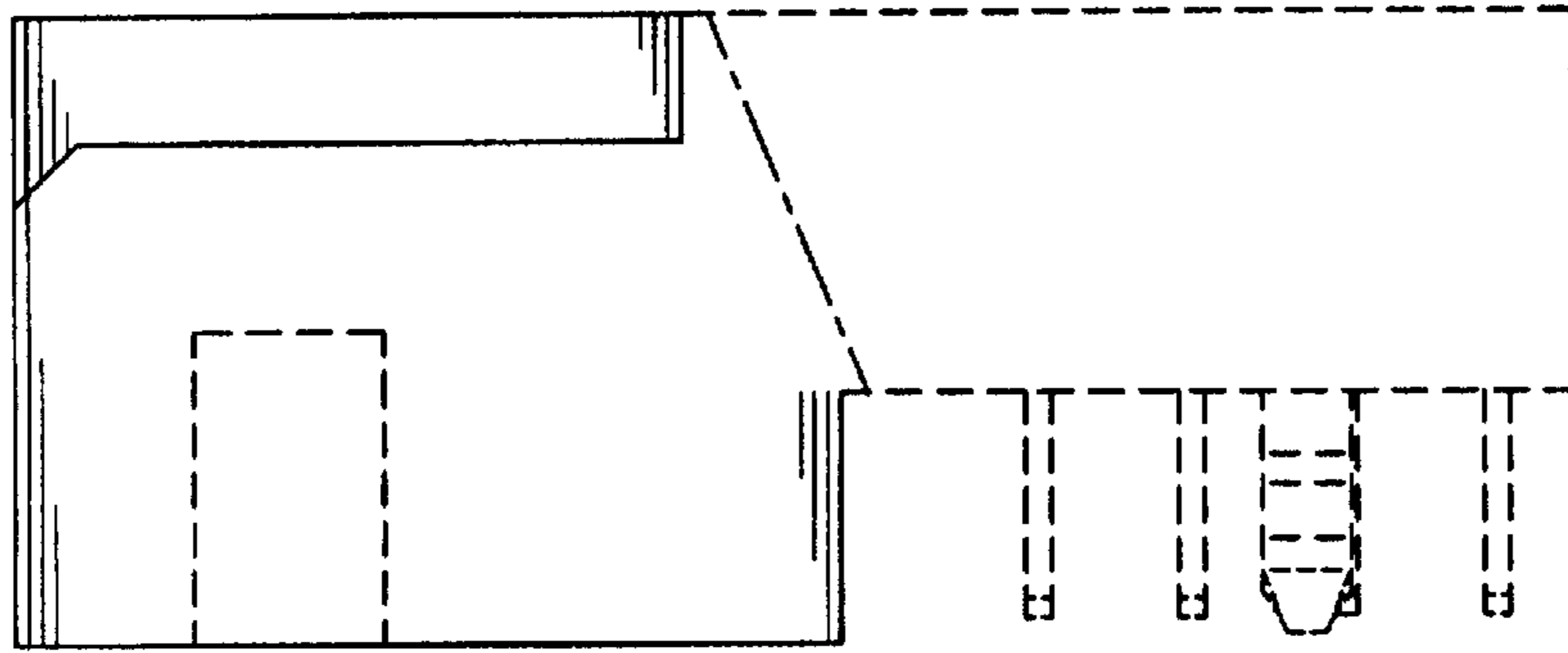


FIG. 4

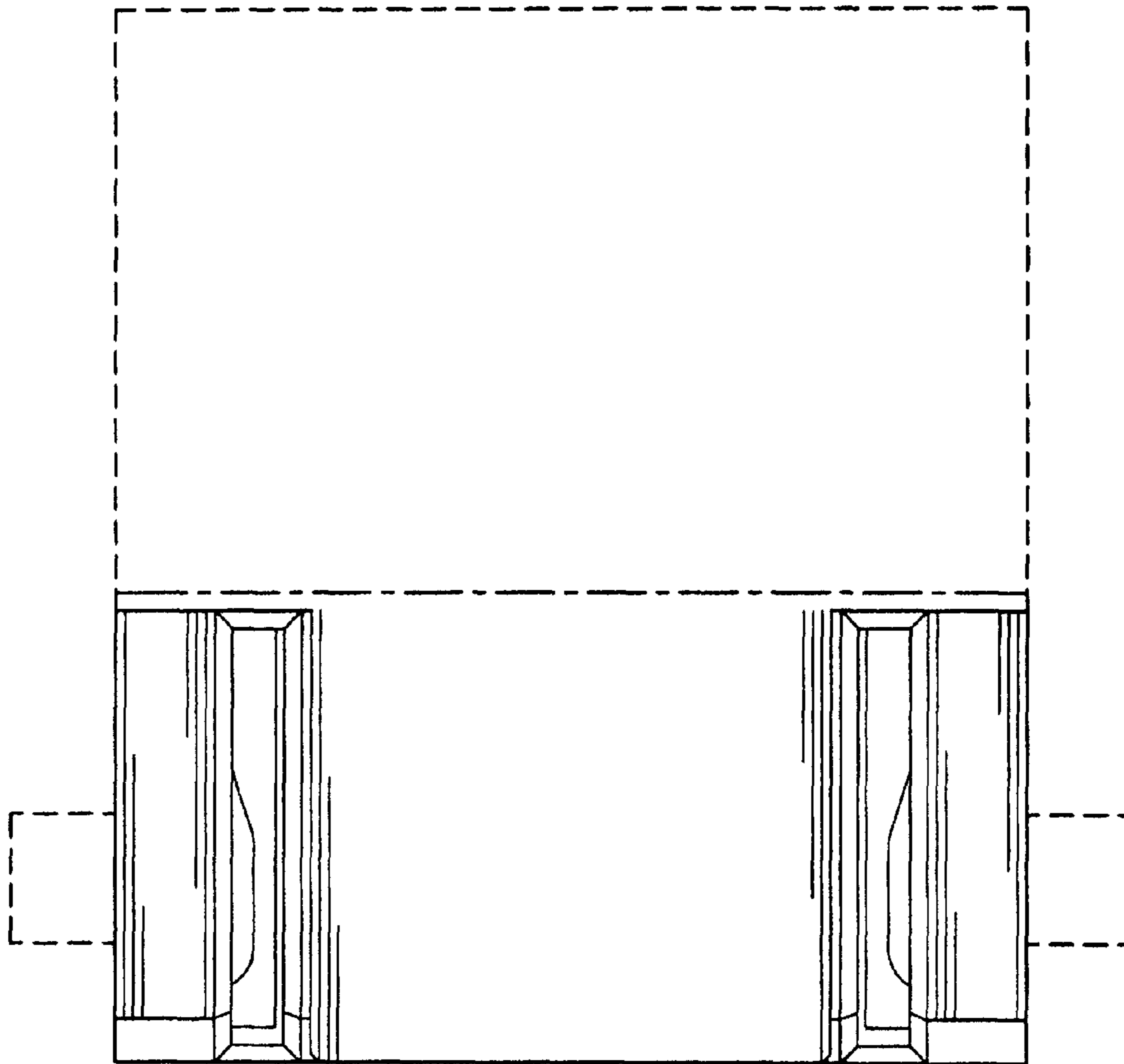


FIG. 5

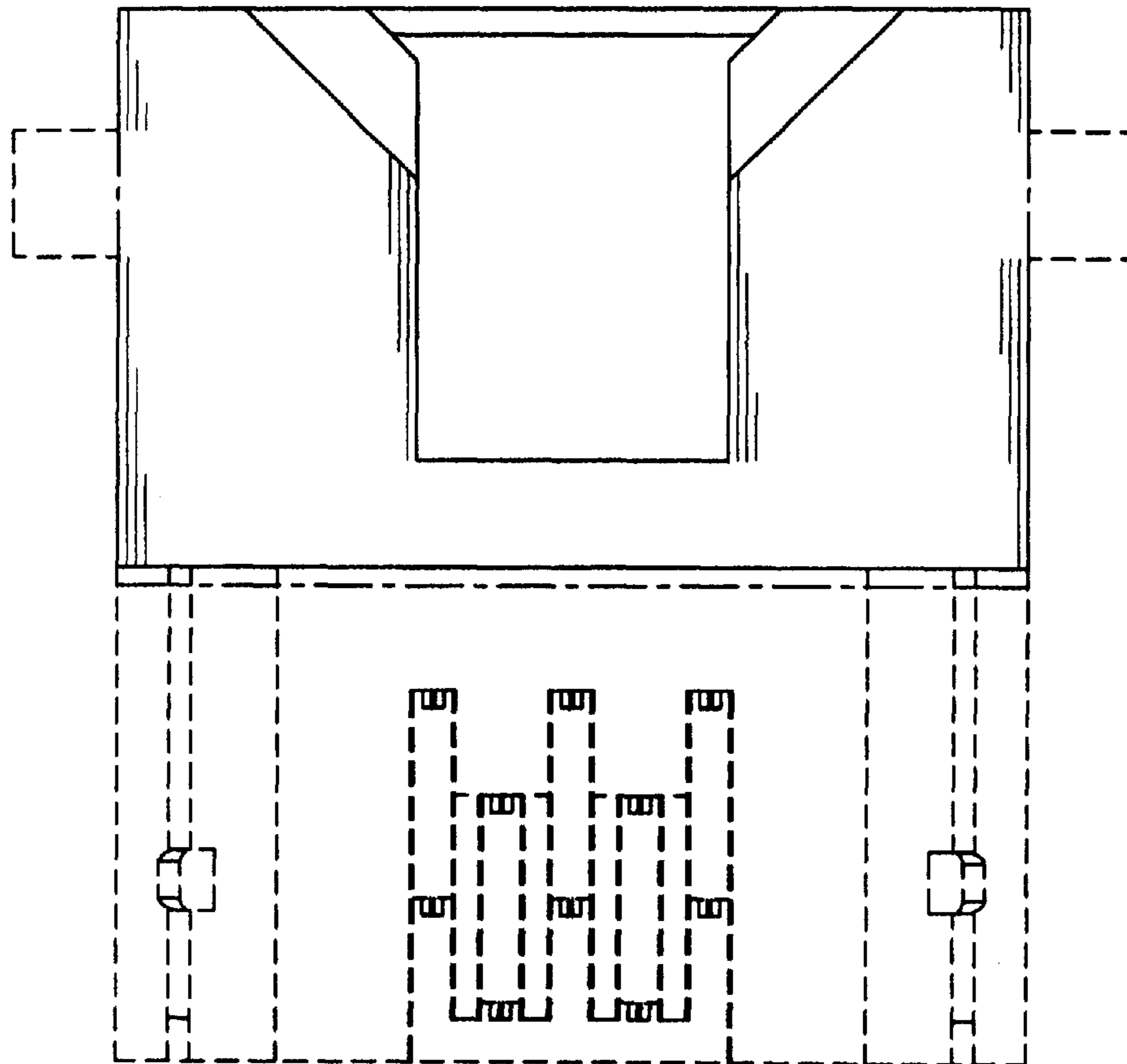


FIG. 6