



US00D543505S

(12) **United States Design Patent**  
**Wang**

(10) **Patent No.:** **US D543,505 S**

(45) **Date of Patent:** **\*\* May 29, 2007**

(54) **POWER PLUG CONNECTOR ASSEMBLY**

(75) Inventor: **Kai De Wang**, Tucheng (TW)

(73) Assignee: **Cheng Uei Precision Industry Co., Ltd.**, Taipei (TW)

(\*\*) Term: **14 Years**

(21) Appl. No.: **29/219,489**

(22) Filed: **Dec. 20, 2004**

(51) **LOC (8) Cl.** ..... **13-03**

(52) **U.S. Cl.** ..... **D13/147**

(58) **Field of Classification Search** ..... D13/133,  
D13/146-147, 154, 184, 199; 439/108, 353,  
439/358, 594, 597, 600, 606-610, 660, 677,  
439/680

See application file for complete search history.

(56) **References Cited**

**U.S. PATENT DOCUMENTS**

4,657,331 A \* 4/1987 Coldren ..... 439/571  
D306,011 S \* 2/1990 Komatsu ..... D13/147  
D384,643 S \* 10/1997 Nierlich et al. .... D13/147

5,876,248 A \* 3/1999 Brunder et al. .... 439/608

5,890,931 A \* 4/1999 Ittah et al. .... 439/679

D456,358 S \* 4/2002 Niklander et al. .... D13/146

D458,226 S \* 6/2002 Chin et al. .... D13/147

D515,510 S \* 2/2006 Huang ..... D13/147

\* cited by examiner

*Primary Examiner*—Daniel Bui

(74) *Attorney, Agent, or Firm*—Rosenberg, Klein & Lee

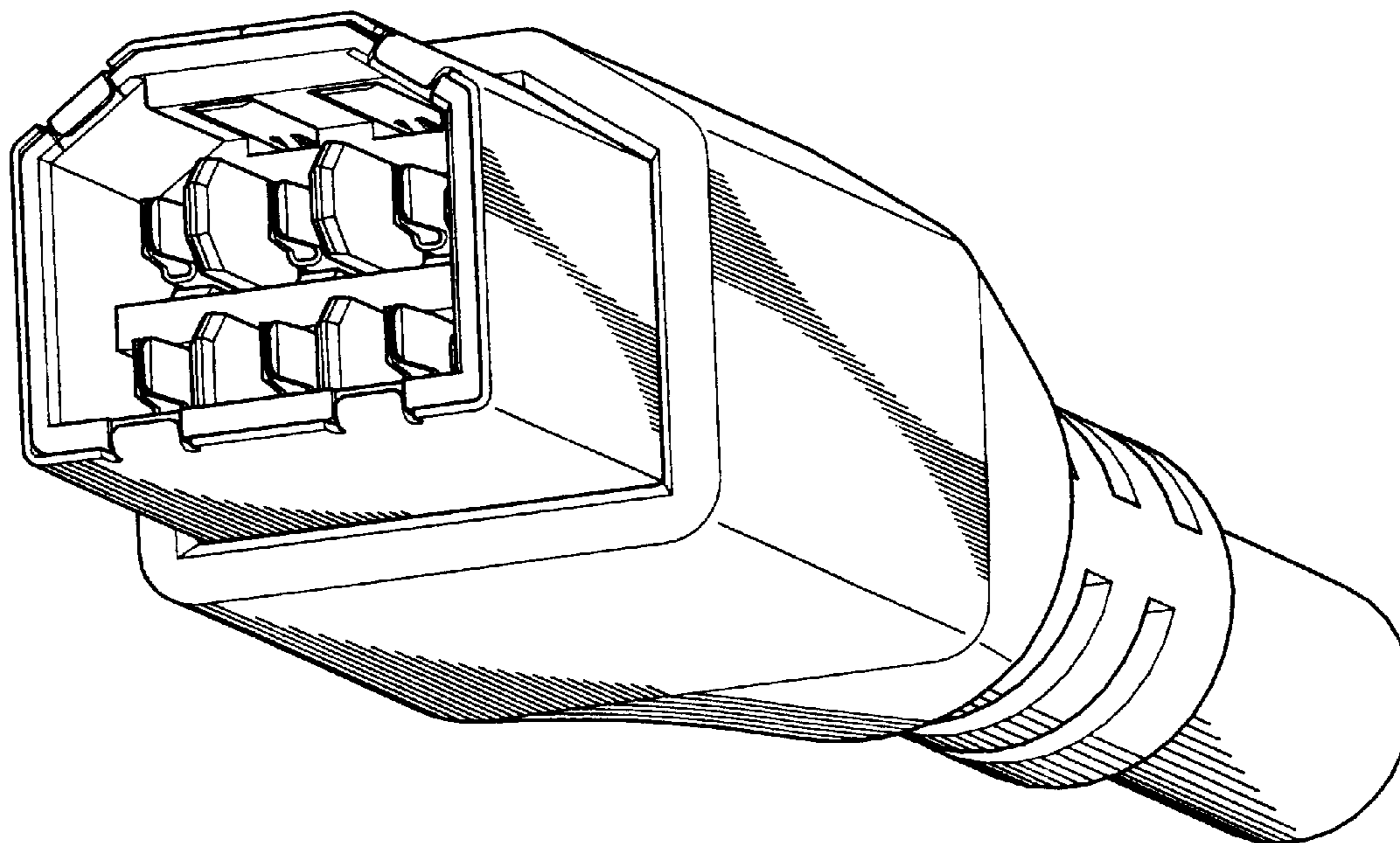
(57) **CLAIM**

The ornamental design for a power plug connector assembly, as shown and described.

**DESCRIPTION**

FIG. 1 is a front, bottom and right side perspective view of a power plug connector assembly, showing my new design; FIG. 2 is a front elevational view thereof; FIG. 3 is a rear elevational view thereof; FIG. 4 is a left side elevational view thereof; FIG. 5 is a right side elevational view thereof; FIG. 6 is a top plan view thereof; and, FIG. 7 is a bottom plan view thereof.

**1 Claim, 5 Drawing Sheets**



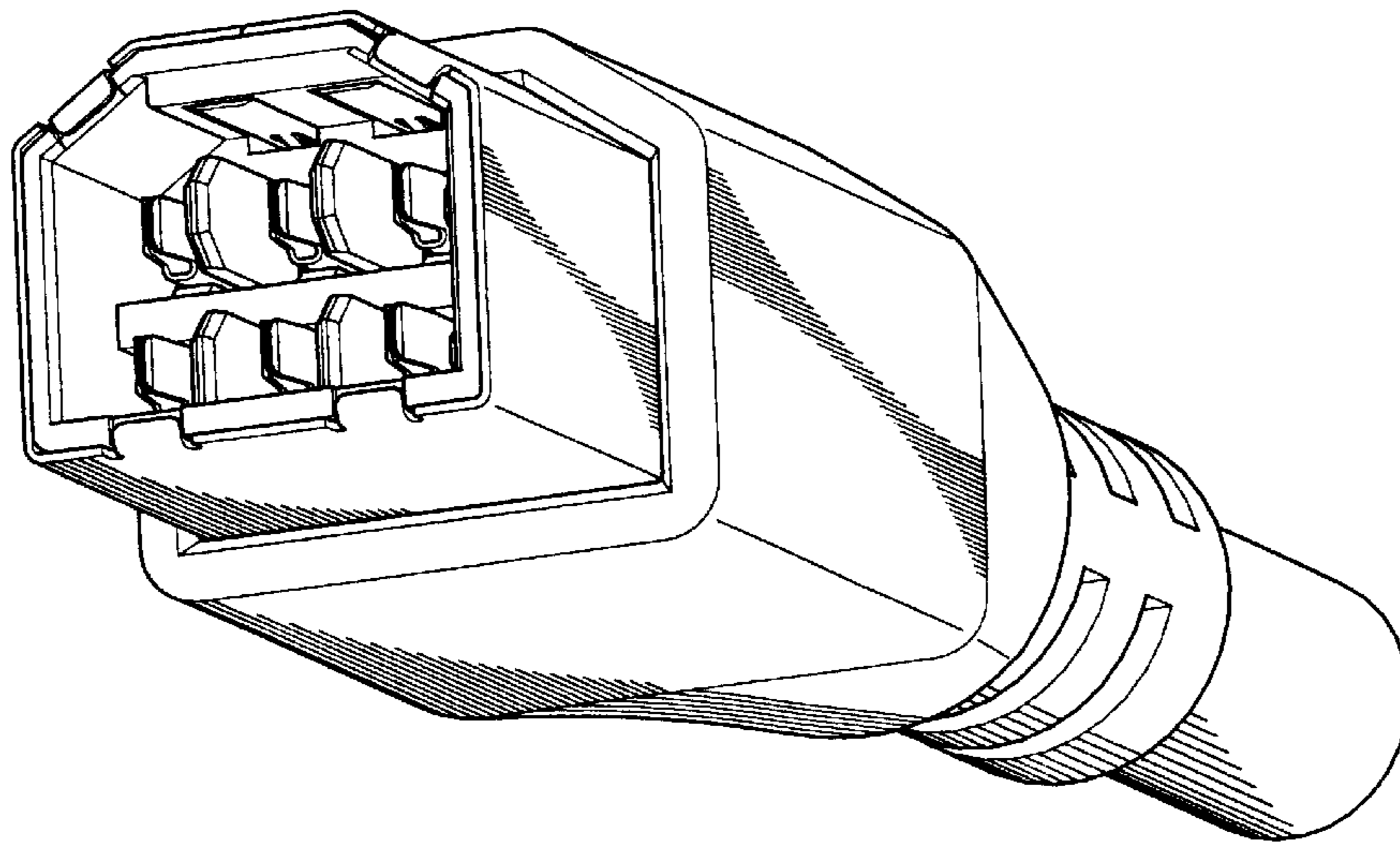


FIG.1

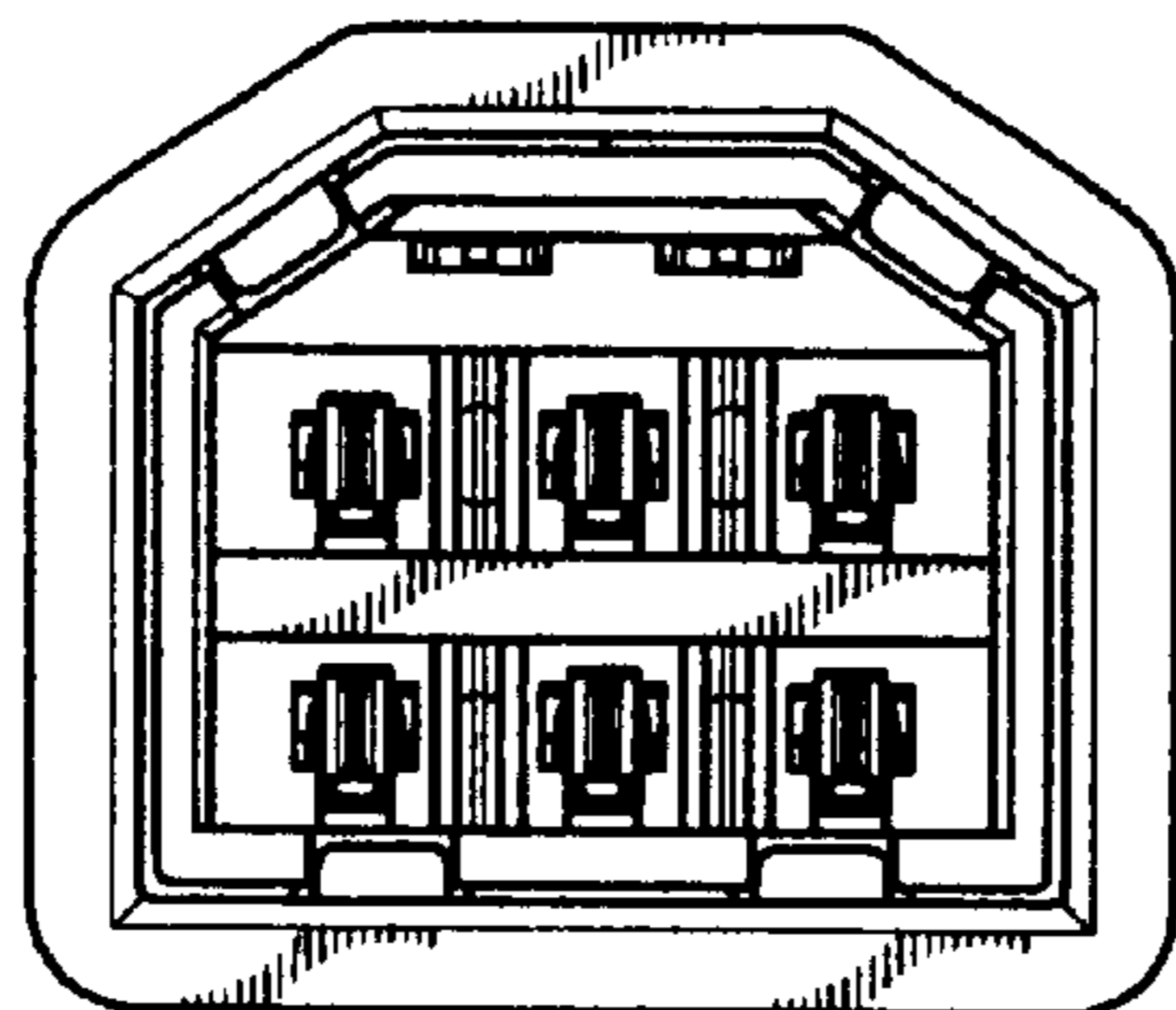


FIG. 2

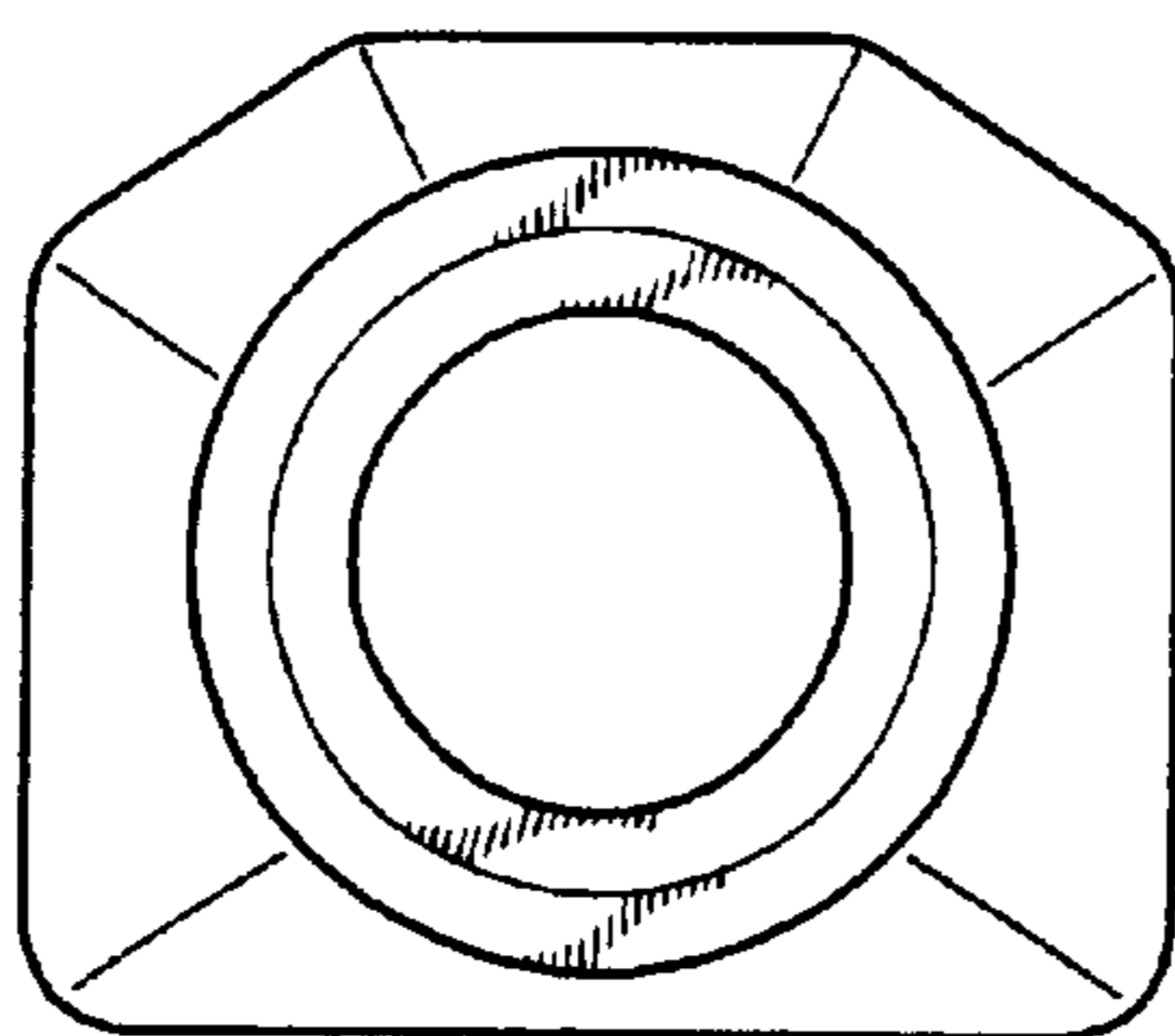


FIG. 3

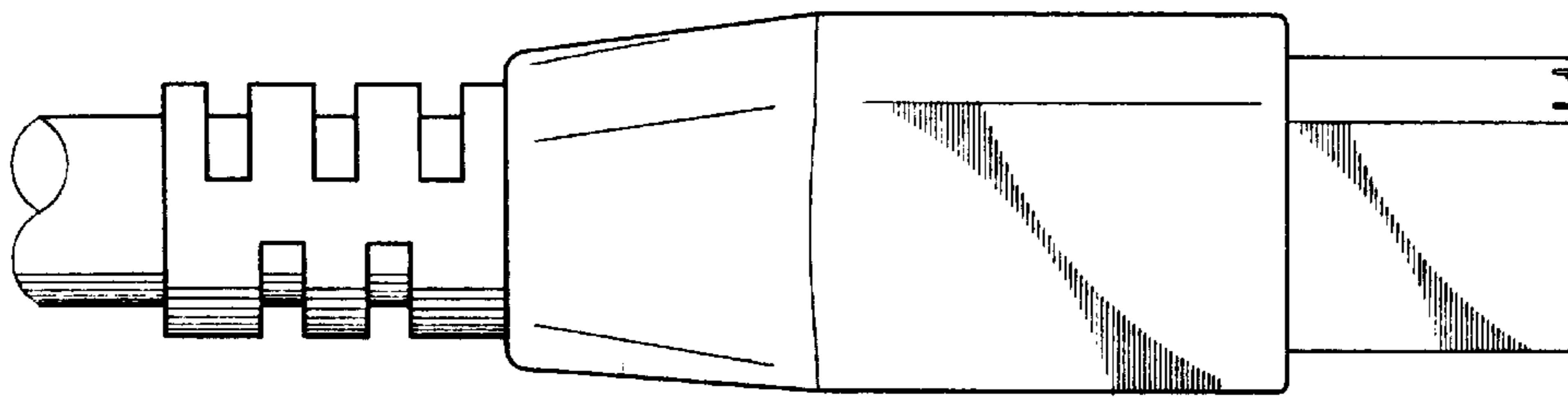


FIG.4

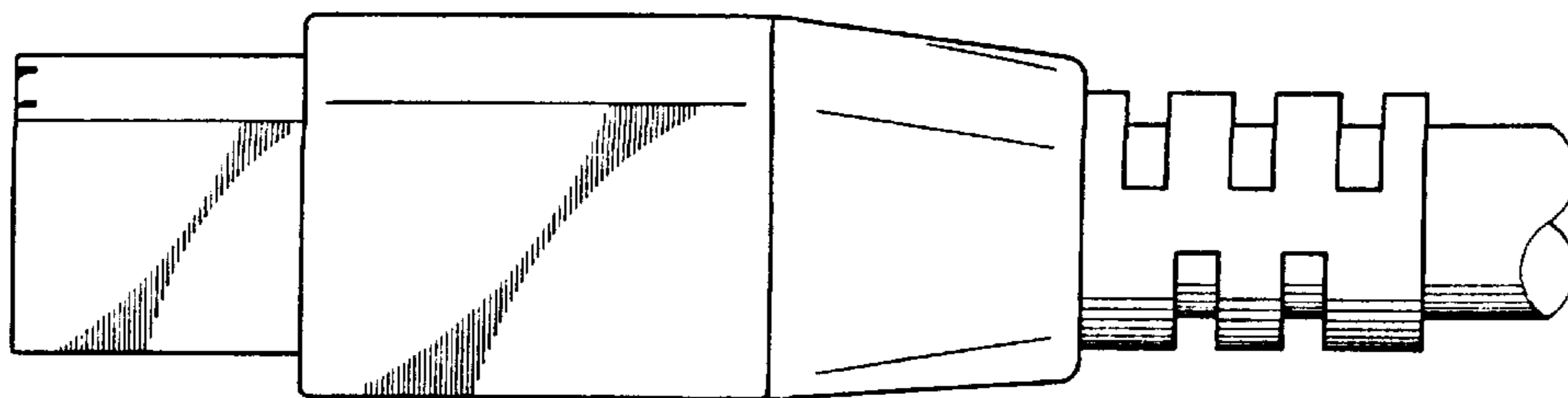


FIG.5

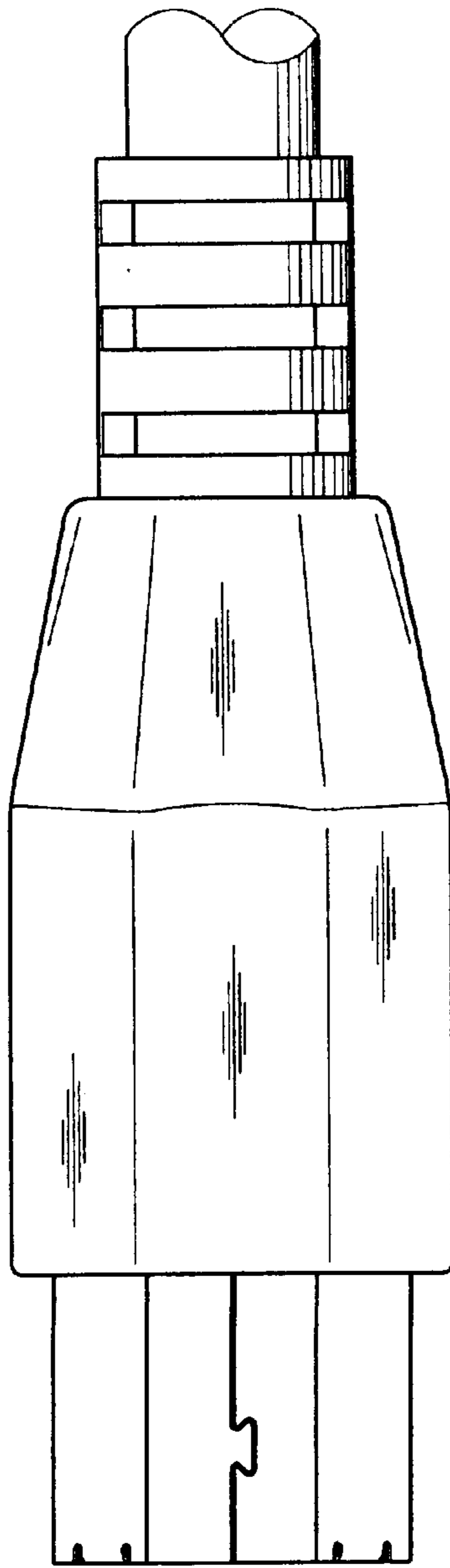


FIG.6

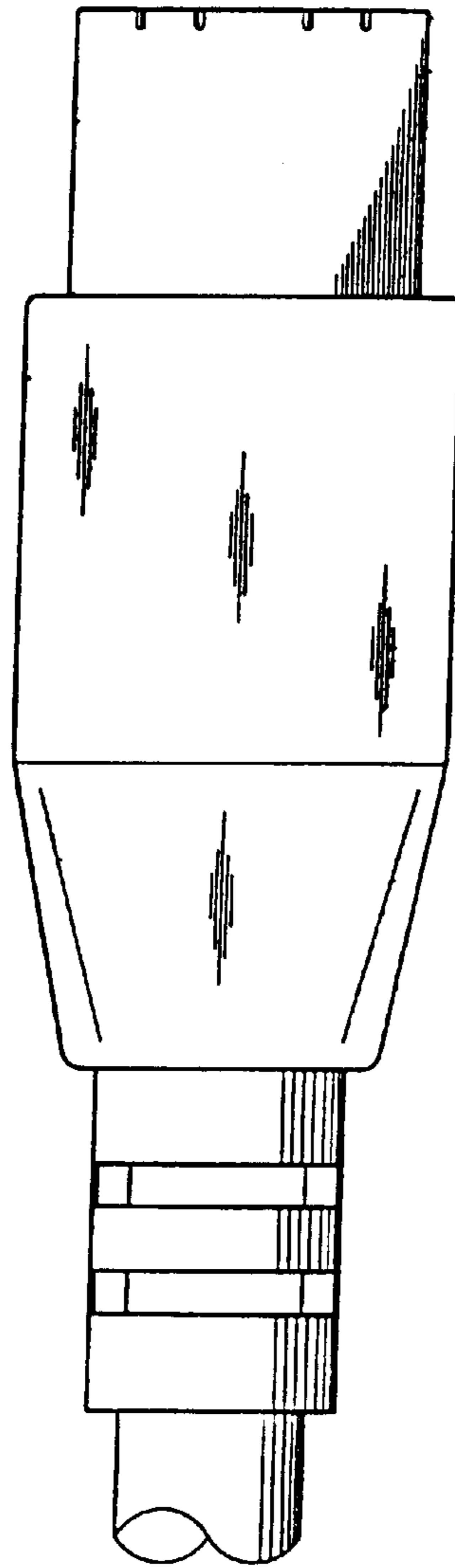


FIG.7