

US00D543503S

(12) **United States Design Patent**
Suzuki

(10) **Patent No.:** **US D543,503 S**

(45) **Date of Patent:** **** May 29, 2007**

(54) **DIRECT CURRENT STABILIZATION
POWER SOURCE DEVICE**

(75) Inventor: **Jun Suzuki**, Tokyo (JP)

(73) Assignee: **Sun Automobile Co., Ltd.**, Tokyo (JP)

(**) Term: **14 Years**

(21) Appl. No.: **29/223,554**

(22) Filed: **Feb. 15, 2005**

(30) **Foreign Application Priority Data**

Aug. 18, 2004 (JP) 2004-27956

(51) **LOC (8) Cl.** **13-02**

(52) **U.S. Cl.** **D13/110**

(58) **Field of Classification Search** D13/110,
D13/101, 114, 117, 199; D15/5, 149; 310/68 D;
361/18, 30, 31

See application file for complete search history.

(56) **References Cited**

U.S. PATENT DOCUMENTS

3,778,650 A * 12/1973 Tharman 310/68 D

D245,611 S * 8/1977 Jones D15/149
4,682,101 A * 7/1987 Cattaneo 324/117 H
5,999,077 A * 12/1999 Hammond et al. 336/134
6,201,674 B1 * 3/2001 Warita et al. 361/18
6,355,369 B1 * 3/2002 Iarochenko et al. 429/27
6,619,122 B1 * 9/2003 Nozoe 73/504.16

* cited by examiner

Primary Examiner—Prabhakar Deshmukh

Assistant Examiner—Derrick Holland

(74) *Attorney, Agent, or Firm*—Townsend & Banta

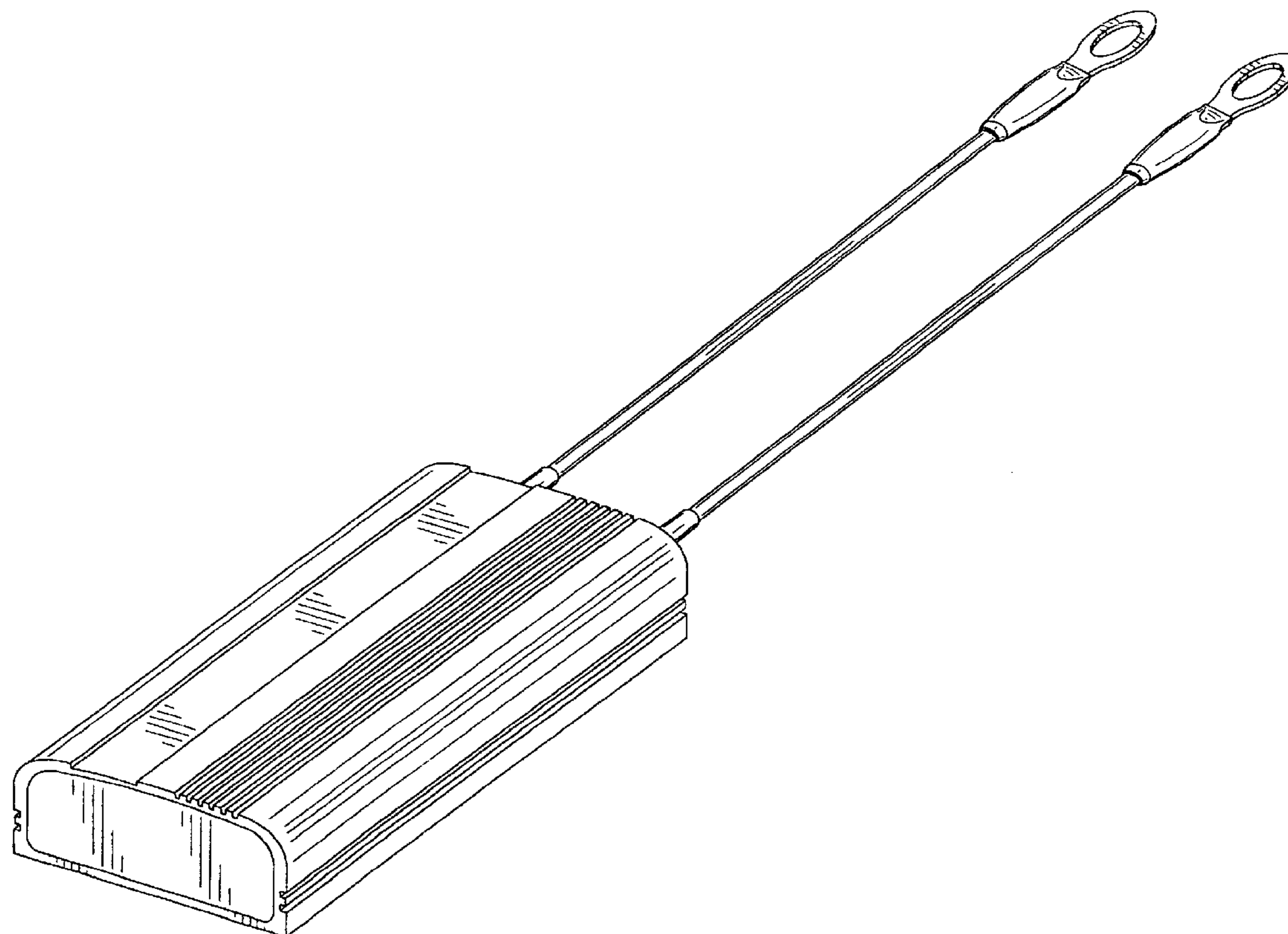
(57) **CLAIM**

The ornamental design for a direct current stabilization power source device, as shown.

DESCRIPTION

FIG. 1 is a bottom view of a direct current stabilization power source device, showing my new design;
FIG. 2 is a front view thereof;
FIG. 3 is a side view thereof;
FIG. 4 is a top plan view thereof;
FIG. 5 is a perspective view thereof; and,
FIG. 6 is a elevated rear view thereof.

1 Claim, 6 Drawing Sheets



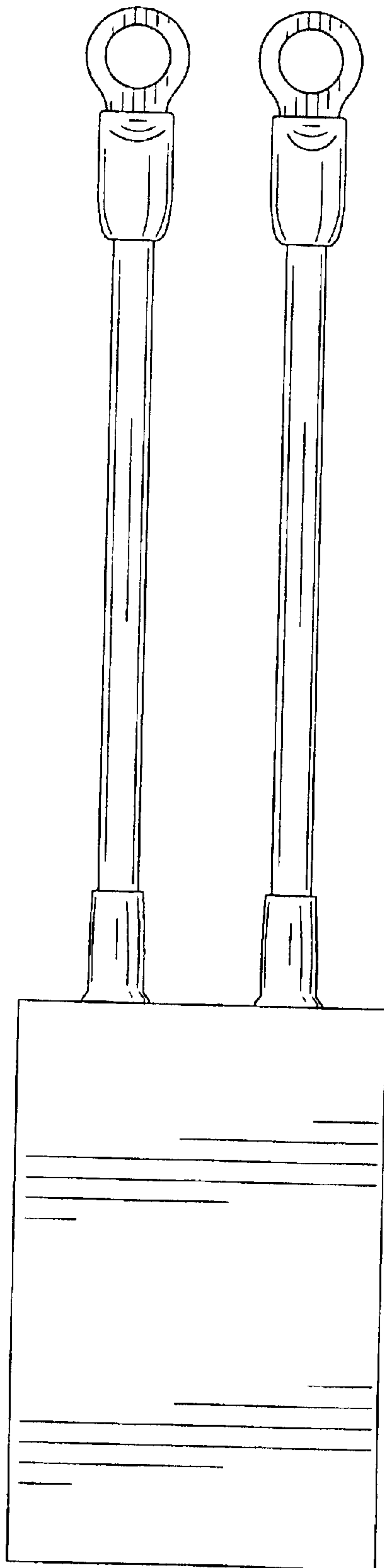


FIG. 1

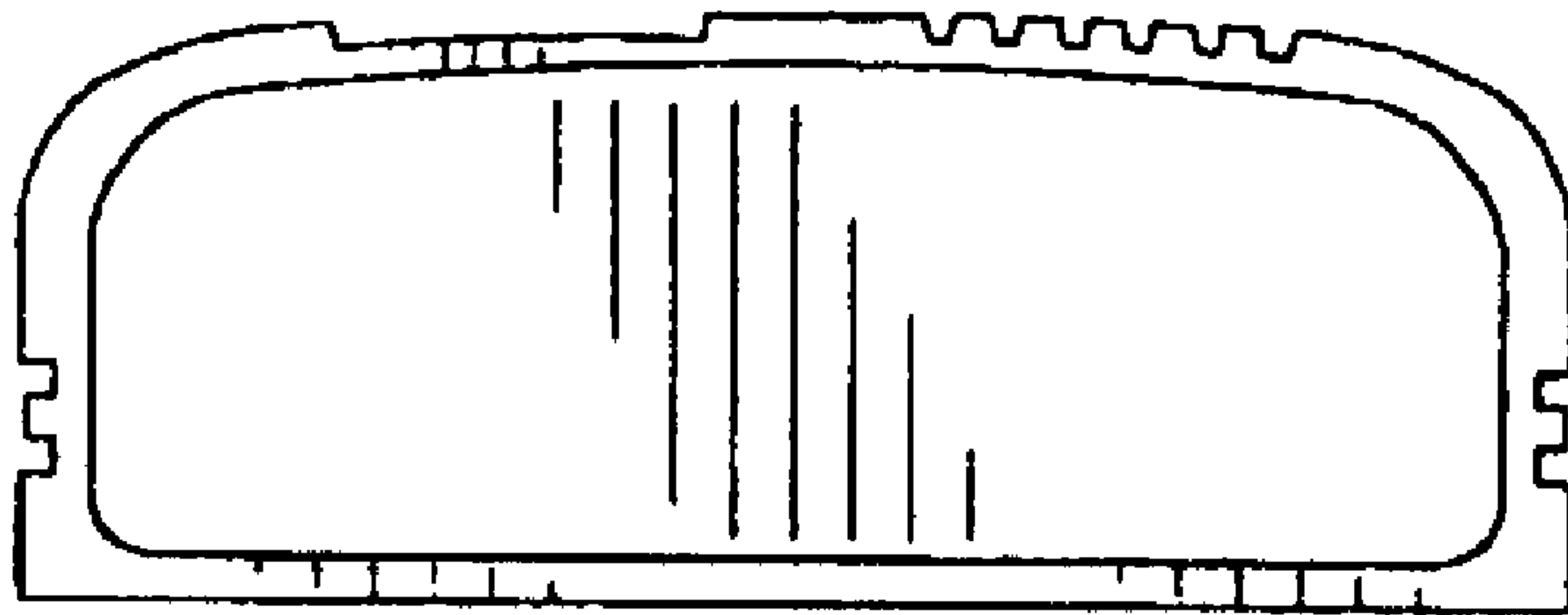


FIG. 2

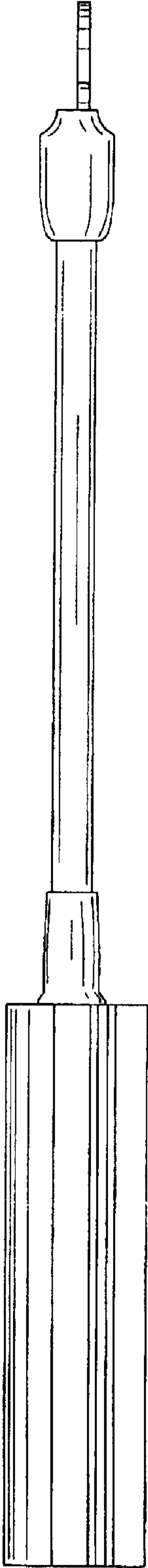


FIG. 3

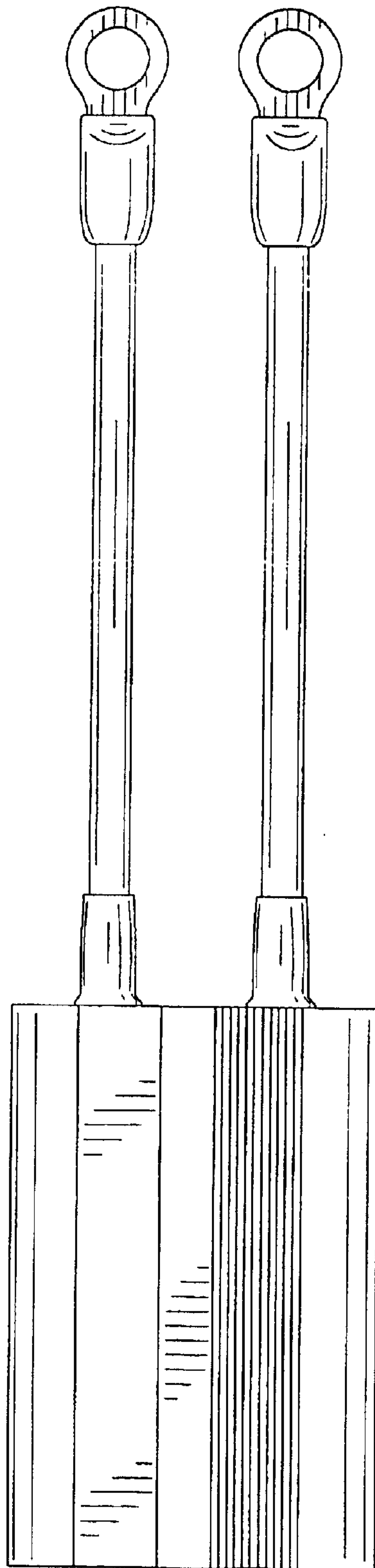


FIG. 4

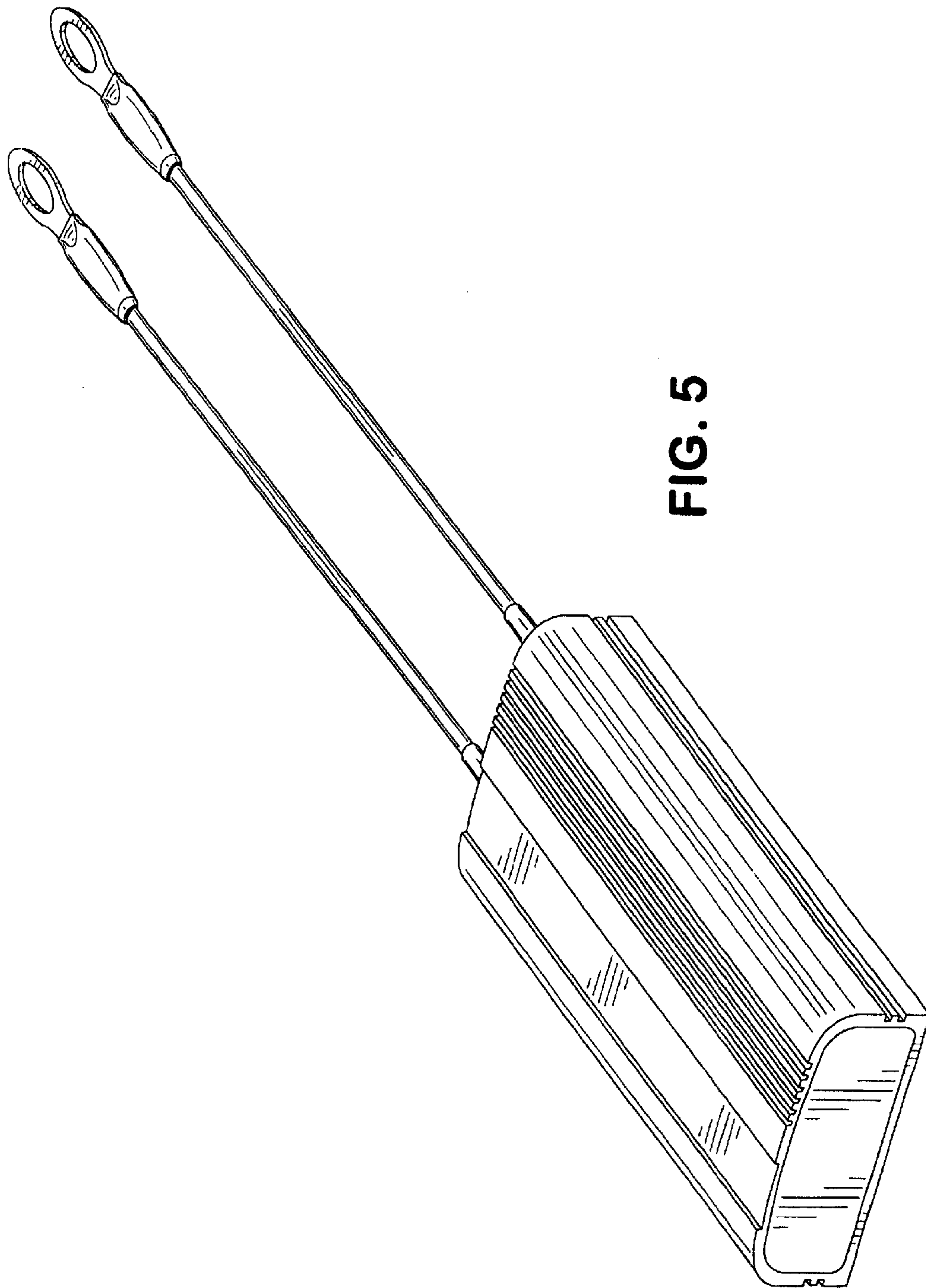


FIG. 5

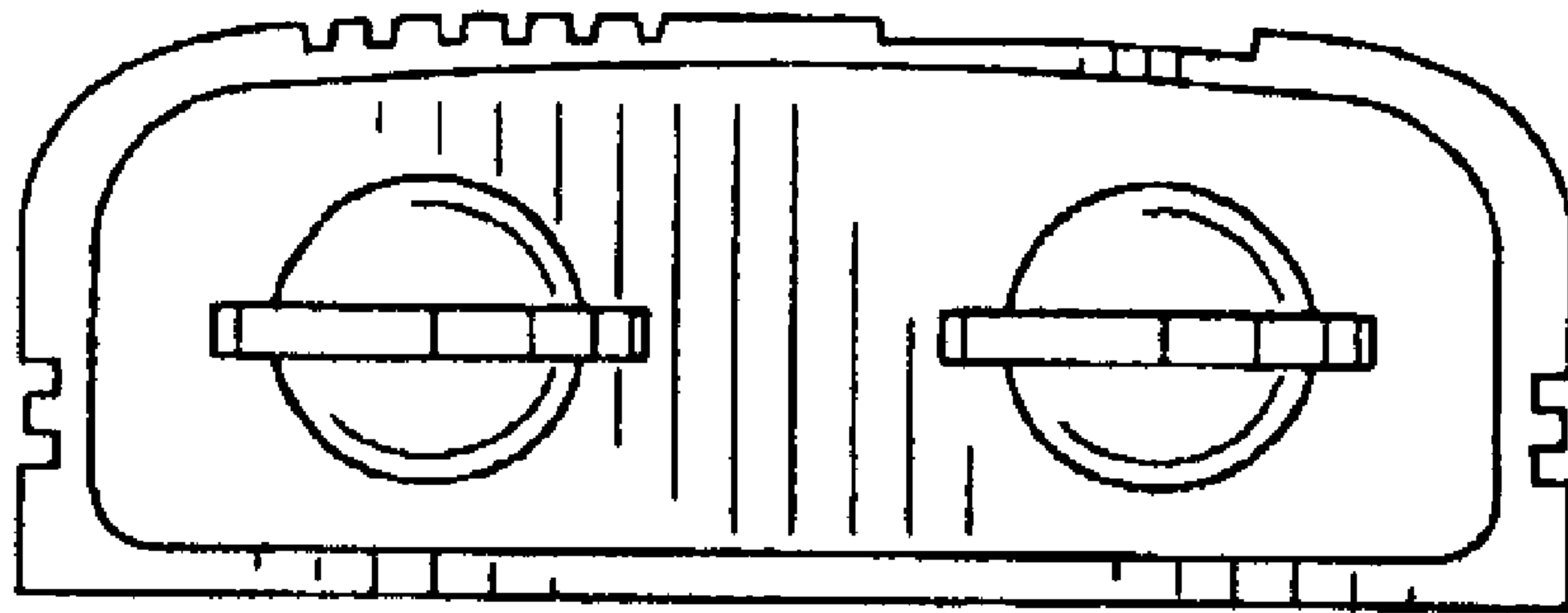


FIG. 6