



US00D543495S

(12) **United States Design Patent**
Williams

(10) **Patent No.:** **US D543,495 S**

(45) **Date of Patent:** **** May 29, 2007**

(54) **OPEN CENTER TURBINE**

D312,686 S * 12/1990 Weber D23/377
D419,518 S * 1/2000 Harrison D12/214

(76) Inventor: **Herbert L. Williams**, 109 Rivers Edge
Dr., East Palatka, FL (US) 32131

* cited by examiner

(**) Term: **14 Years**

Primary Examiner—Marcus A. Jackson

(74) *Attorney, Agent, or Firm*—Thomas C. Saitta

(21) Appl. No.: **29/264,025**

(57) **CLAIM**

(22) Filed: **Aug. 1, 2006**

The ornamental design for an open center turbine, as shown
and described.

(51) **LOC (8) Cl.** **12-07**

(52) **U.S. Cl.** **D12/345**

(58) **Field of Classification Search** D12/319–345;
114/162, 166; 440/47, 66
See application file for complete search history.

DESCRIPTION

FIG. 1 is a perspective view of the invention.

FIG. 2 is a front view of the invention, the rear view being
identical; and,

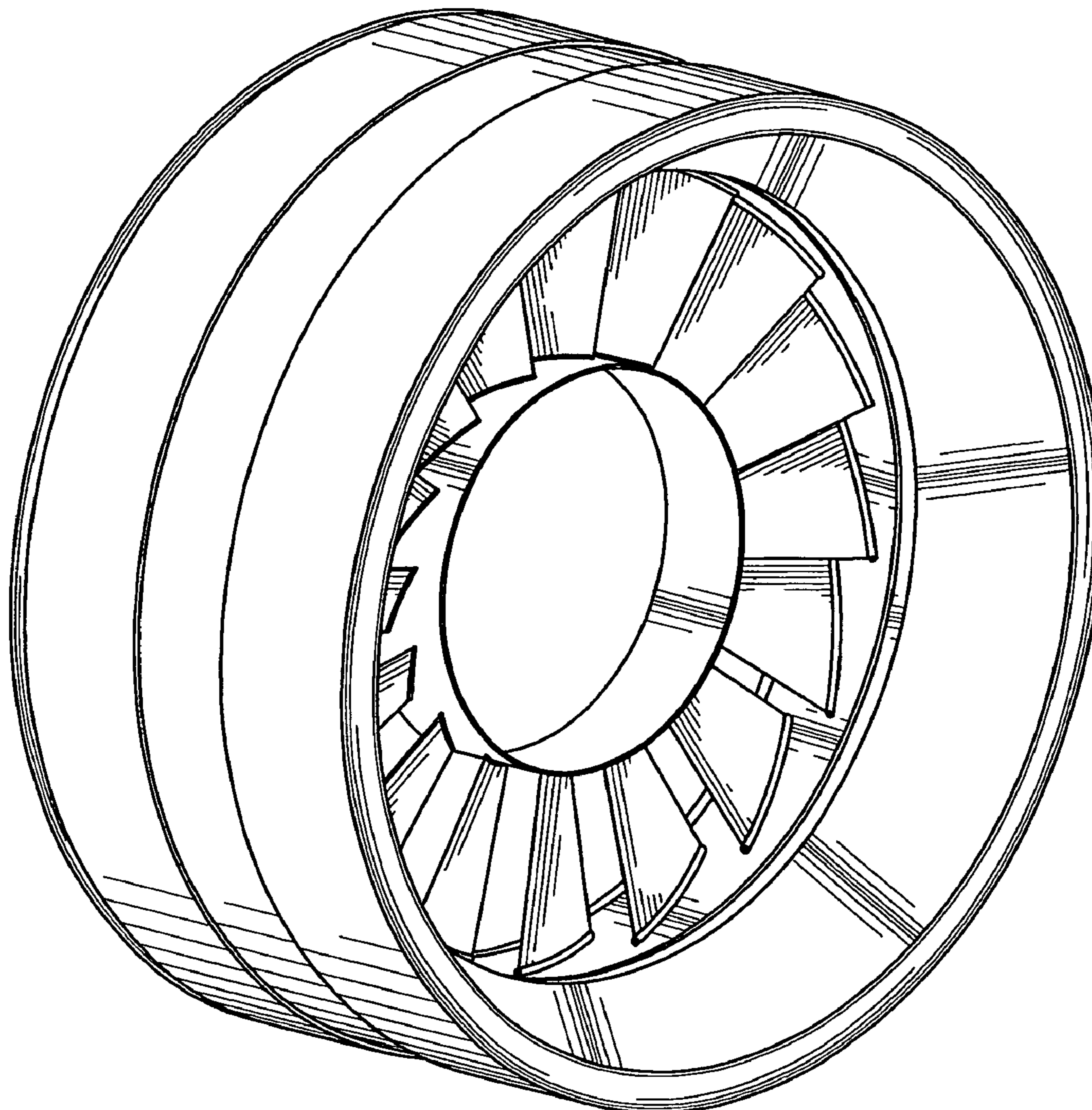
FIG. 3 is a left side view of the invention, the right side view,
top view and bottom view being identical.

(56) **References Cited**

U.S. PATENT DOCUMENTS

D273,579 S * 4/1984 Martin et al. D12/345

1 Claim, 3 Drawing Sheets



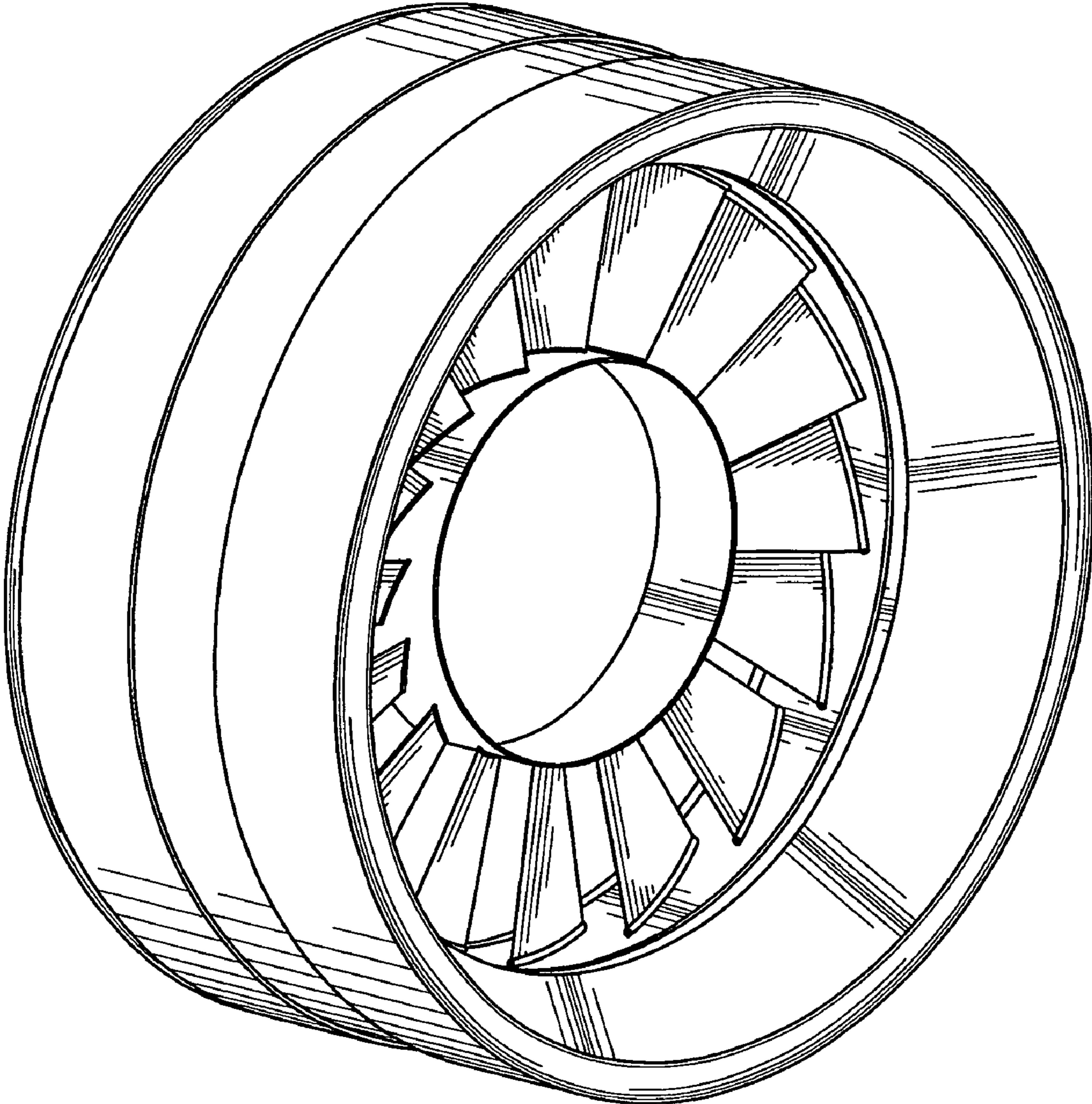


Fig. 1

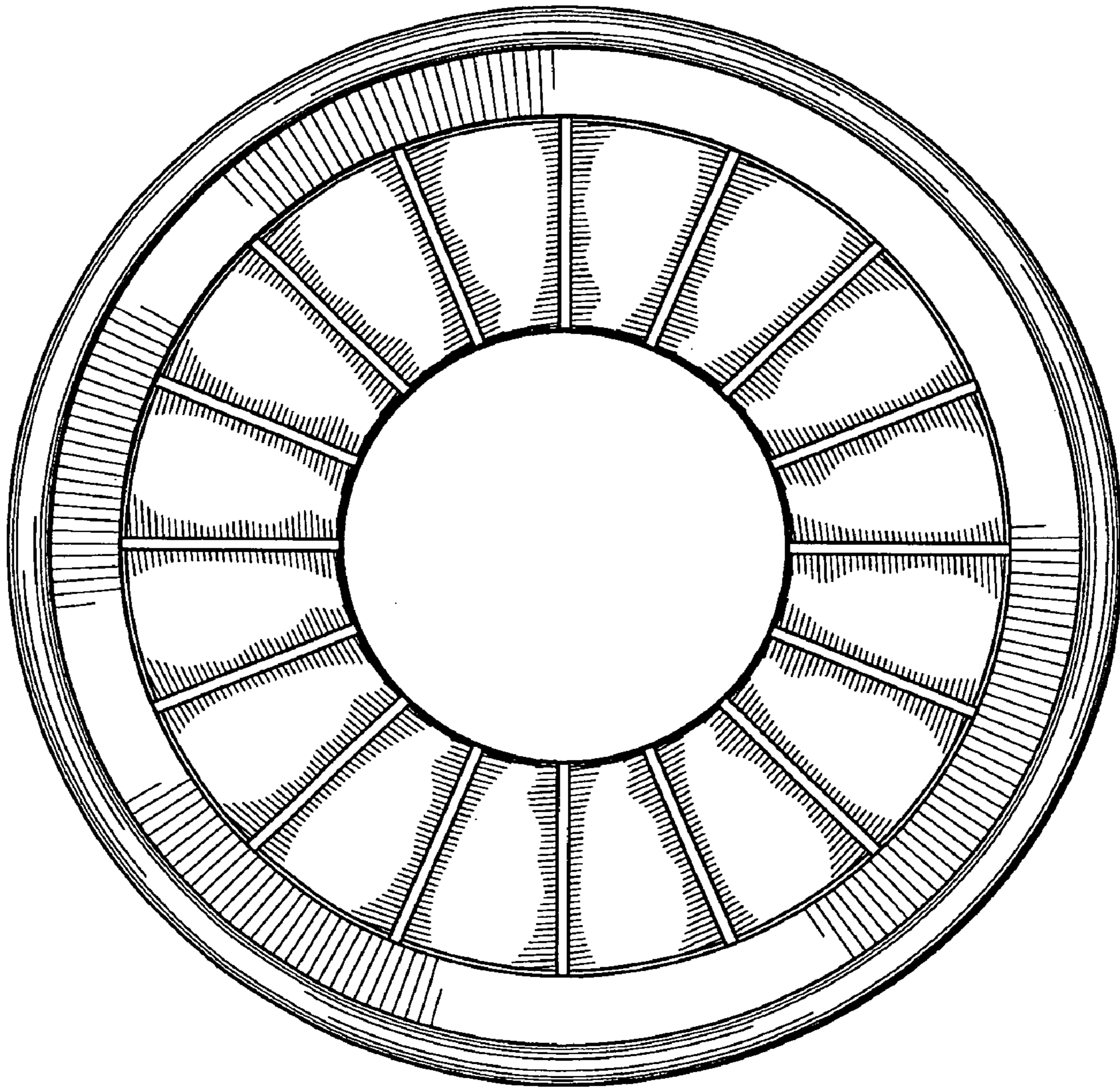


Fig. 2

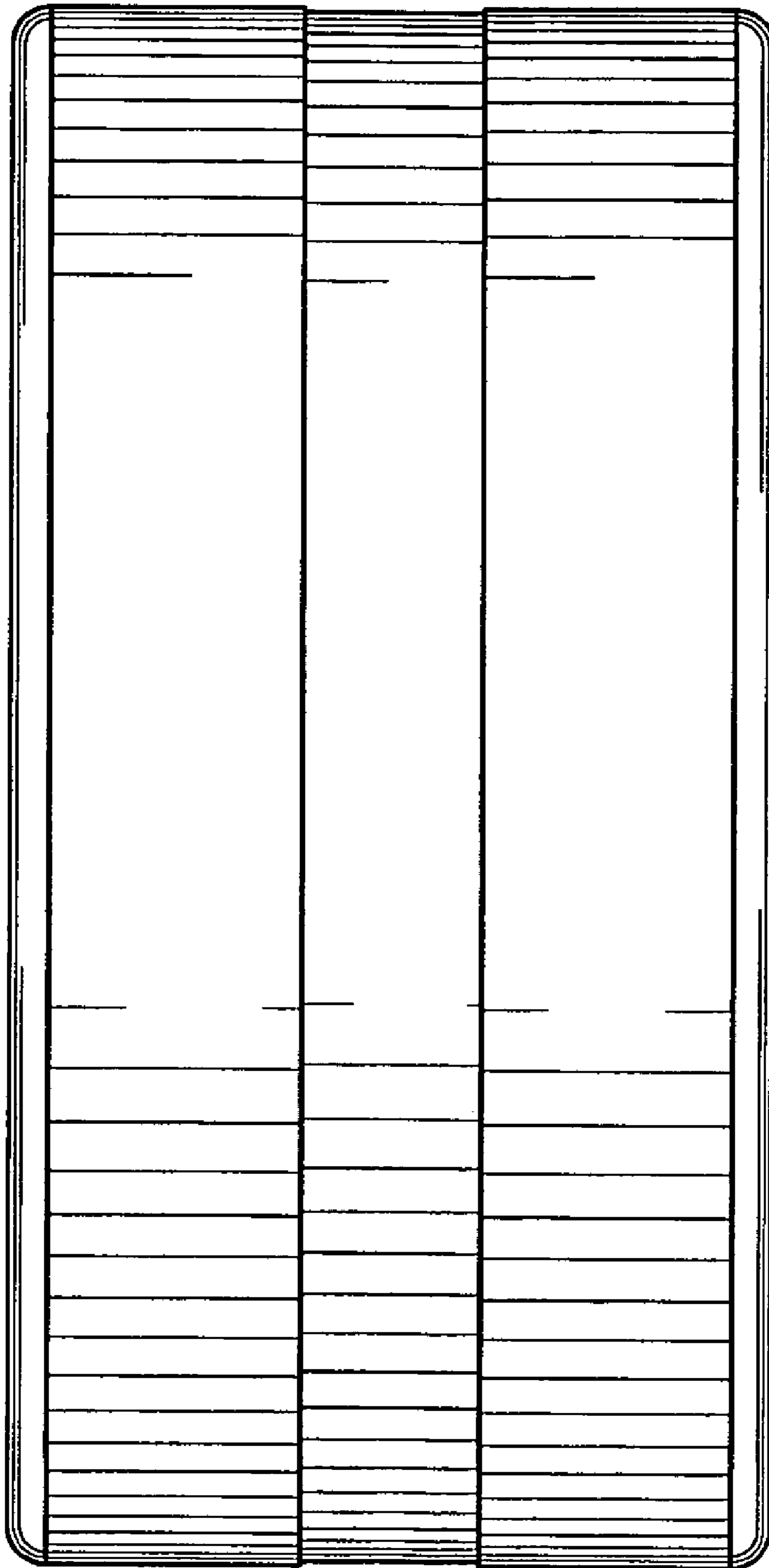


Fig. 3