



US00D543493S

(12) **United States Design Patent**  
**Kim**

(10) **Patent No.:** **US D543,493 S**

(45) **Date of Patent:** **\*\* May 29, 2007**

(54) **AUTOMOTIVE WHEEL**

(75) **Inventor:** **Young H. Kim**, La Habra, CA (US)

(73) **Assignee:** **The Wheel Group**, Industry, CA (US)

(\*\*) **Term:** **14 Years**

(21) **Appl. No.:** **29/269,198**

(22) **Filed:** **Nov. 22, 2006**

(51) **LOC (8) Cl.** ..... **12-16**

(52) **U.S. Cl.** ..... **D12/209**

(58) **Field of Classification Search** ..... D12/204-213;  
301/37.101, 64.101, 65

See application file for complete search history.

(56) **References Cited**

**U.S. PATENT DOCUMENTS**

D500,004 S	*	12/2004	Szavits	.....	D12/211
D515,490 S	*	2/2006	Pfeiffer	.....	D12/209
D519,901 S	*	5/2006	Panano	.....	D12/209
D520,432 S	*	5/2006	Metros et al.	.....	D12/211
D521,437 S	*	5/2006	Long	.....	D12/209
D522,436 S	*	6/2006	Long	.....	D12/209
D522,952 S	*	6/2006	Nakahara	.....	D12/211

D526,267 S	*	8/2006	Looho	.....	D12/211
D526,949 S	*	8/2006	Viandante	.....	D12/211
D528,062 S	*	9/2006	Hosoi	.....	D12/211
D528,955 S	*	9/2006	Kim	.....	D12/209
D530,253 S	*	10/2006	Coutts	.....	D12/209
D531,104 S	*	10/2006	Kim	.....	D12/209

\* cited by examiner

*Primary Examiner*—Stacia Cadmus

(57) **CLAIM**

The ornamental design for an automotive wheel, as shown and described.

**DESCRIPTION**

FIG. 1 is a perspective view of an automotive wheel showing my new design.

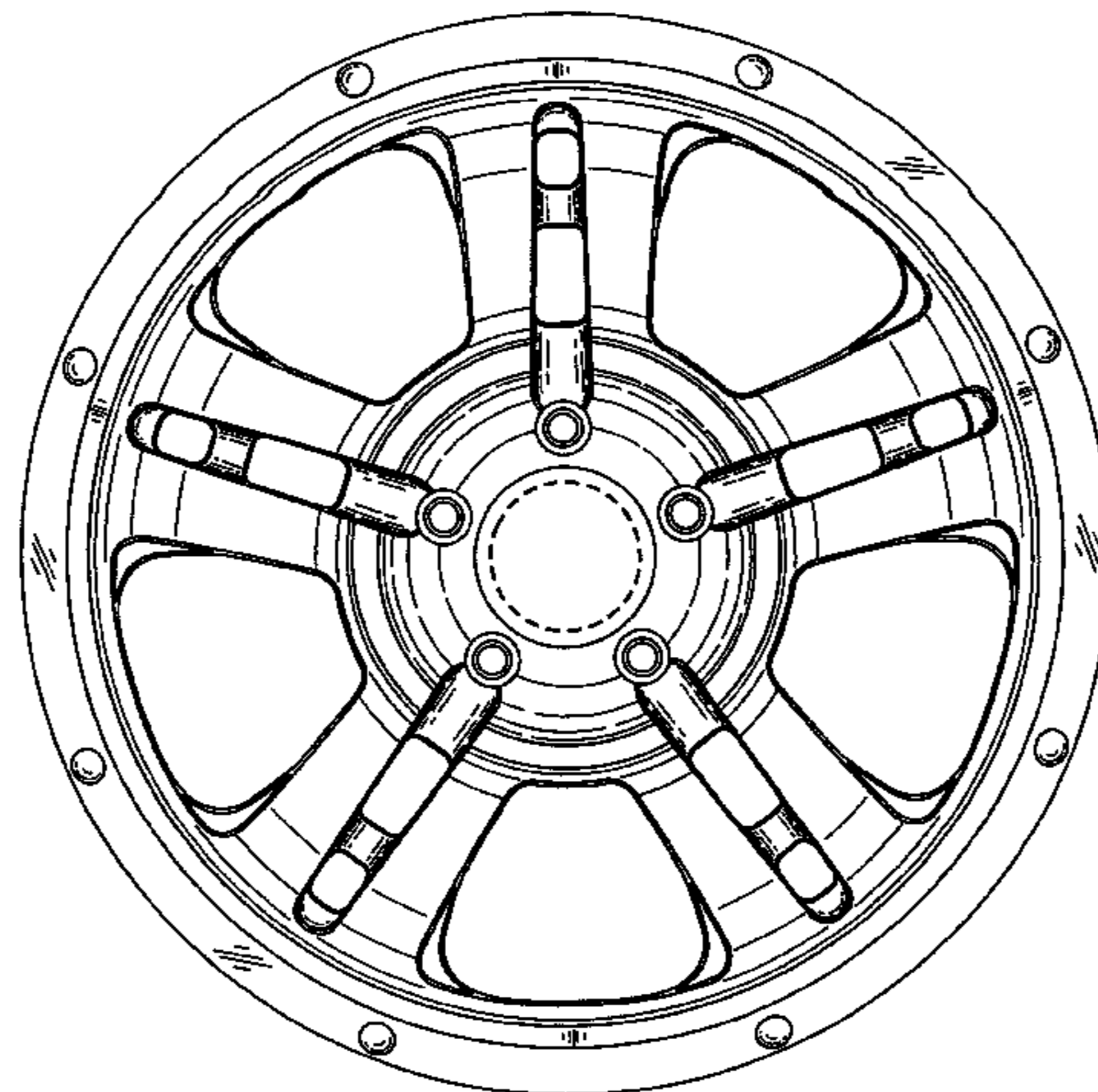
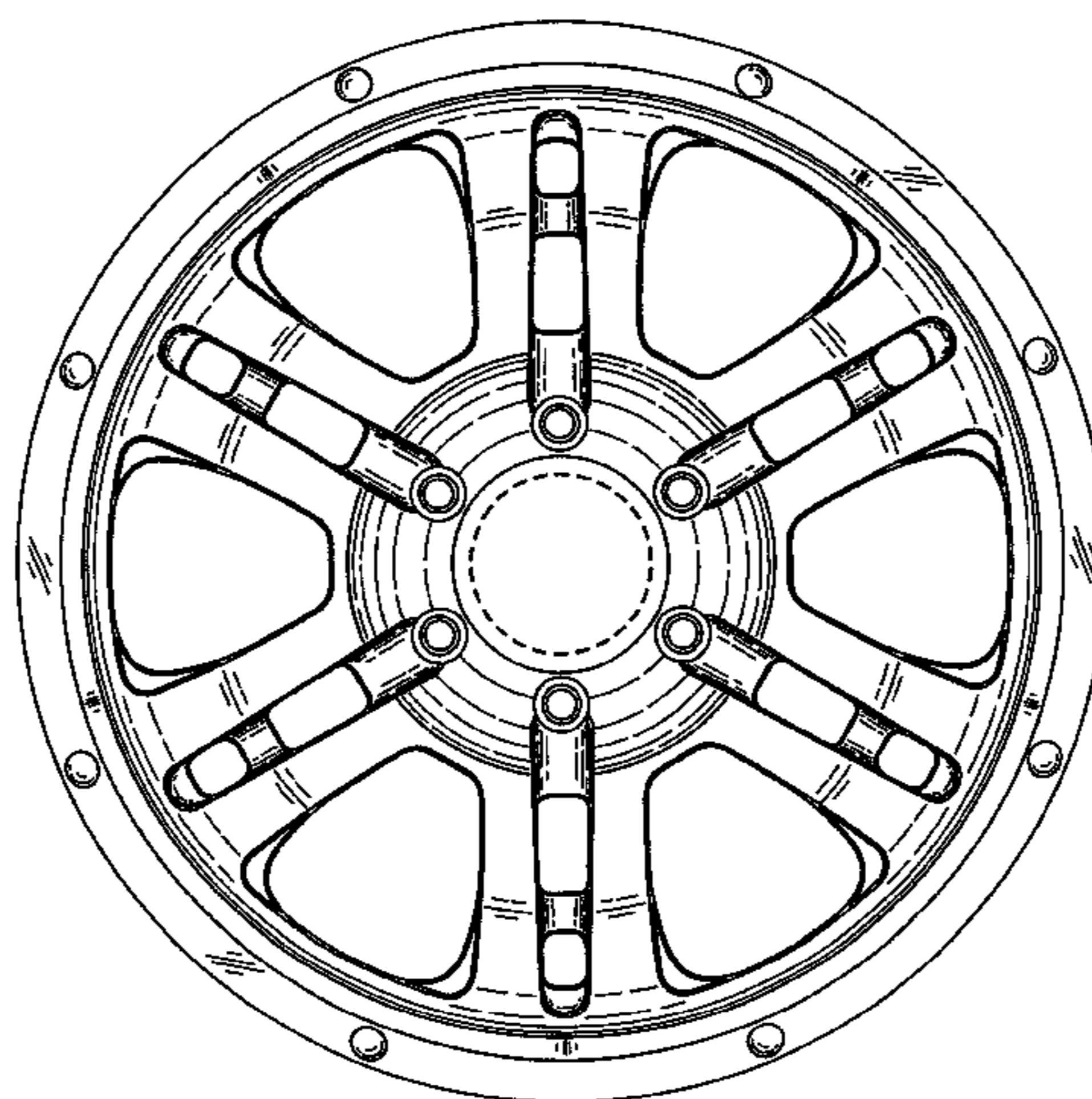
FIG. 2 is a front elevational view thereof.

FIG. 3 is a perspective view of a second embodiment of my design; and,

FIG. 4 is a front elevational view of the second embodiment of my design.

The broken lines are for illustrative purposes only, and form no part of the claimed design.

**1 Claim, 4 Drawing Sheets**



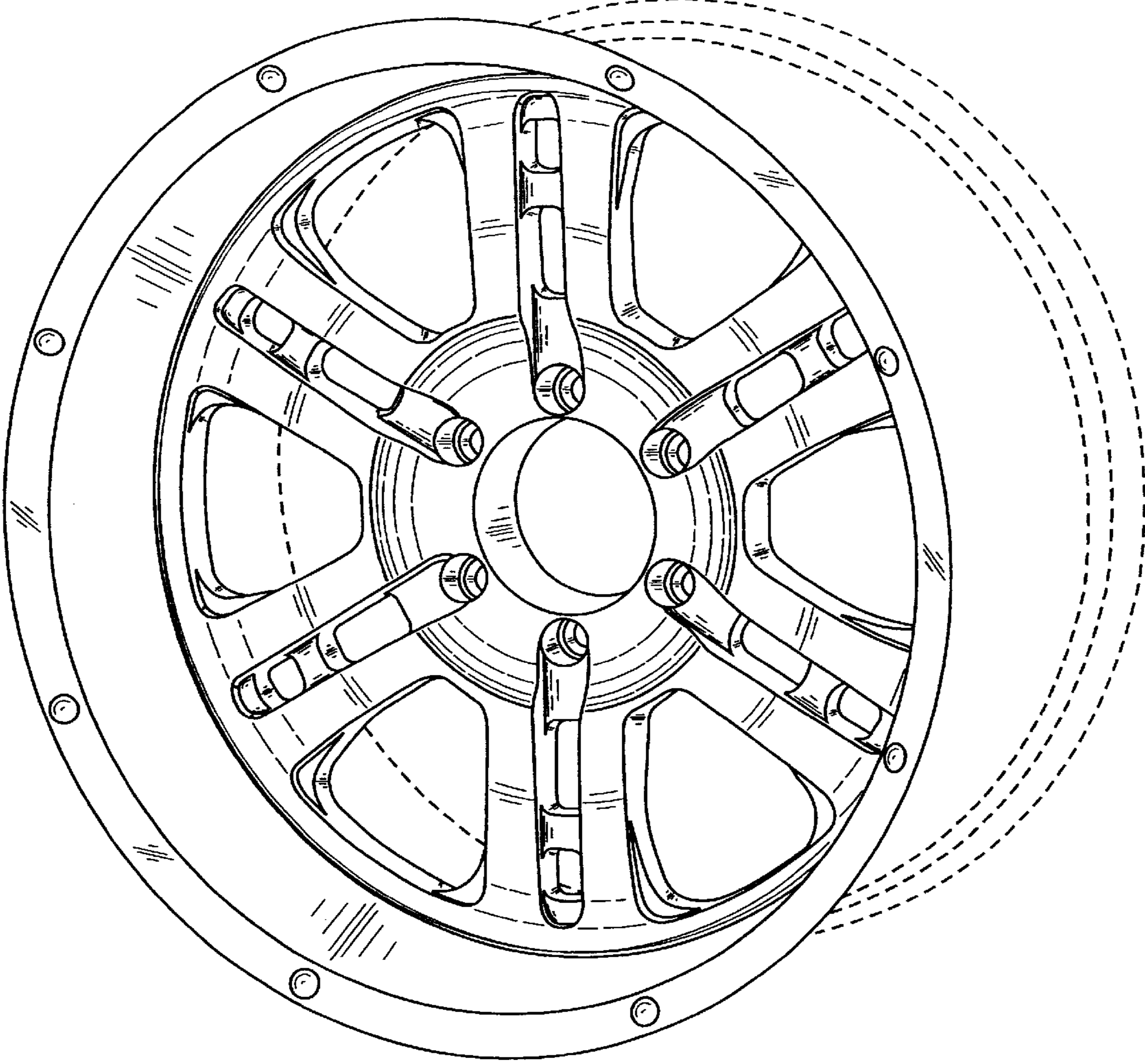


Fig. 1

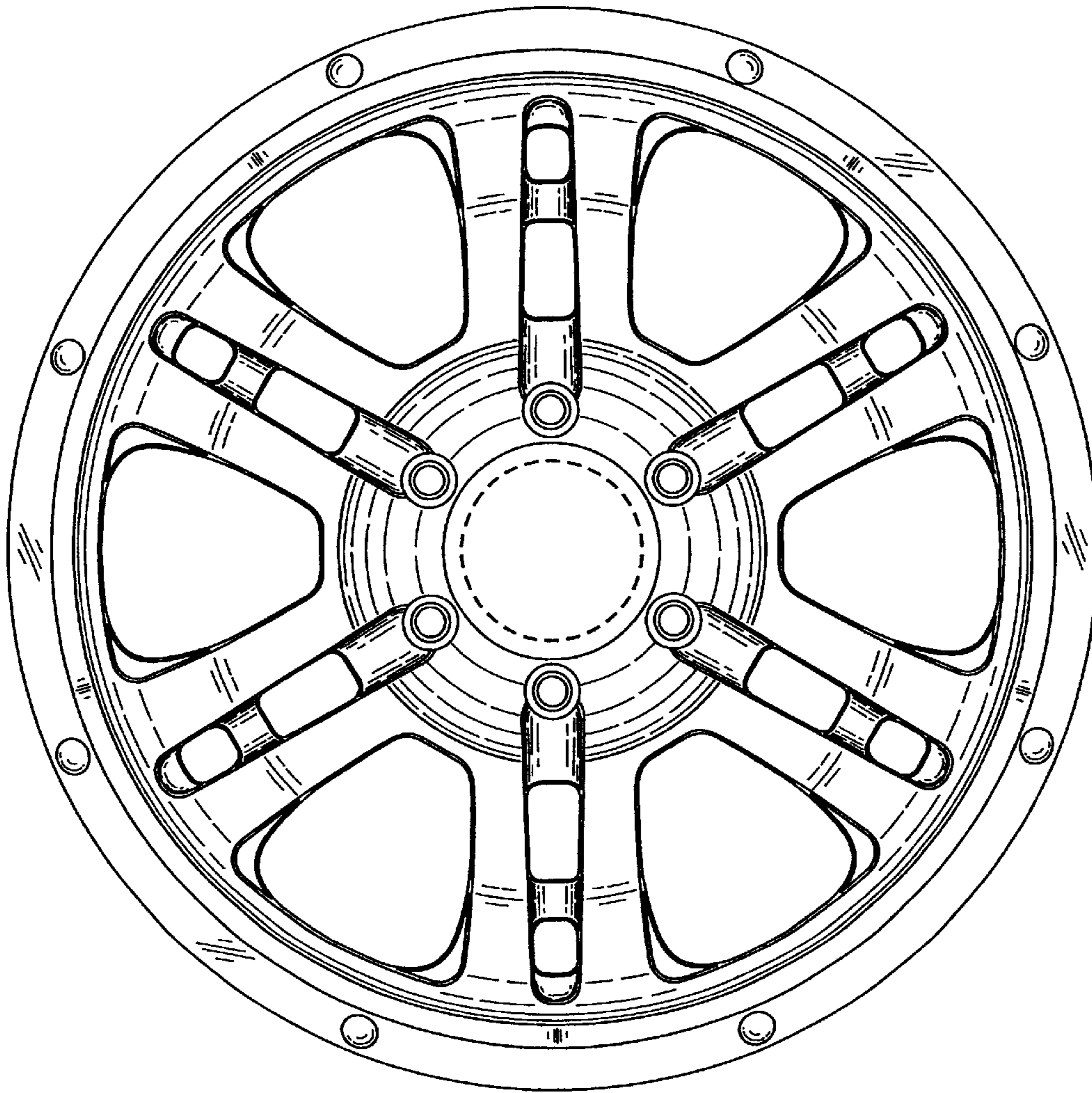


Fig. 2

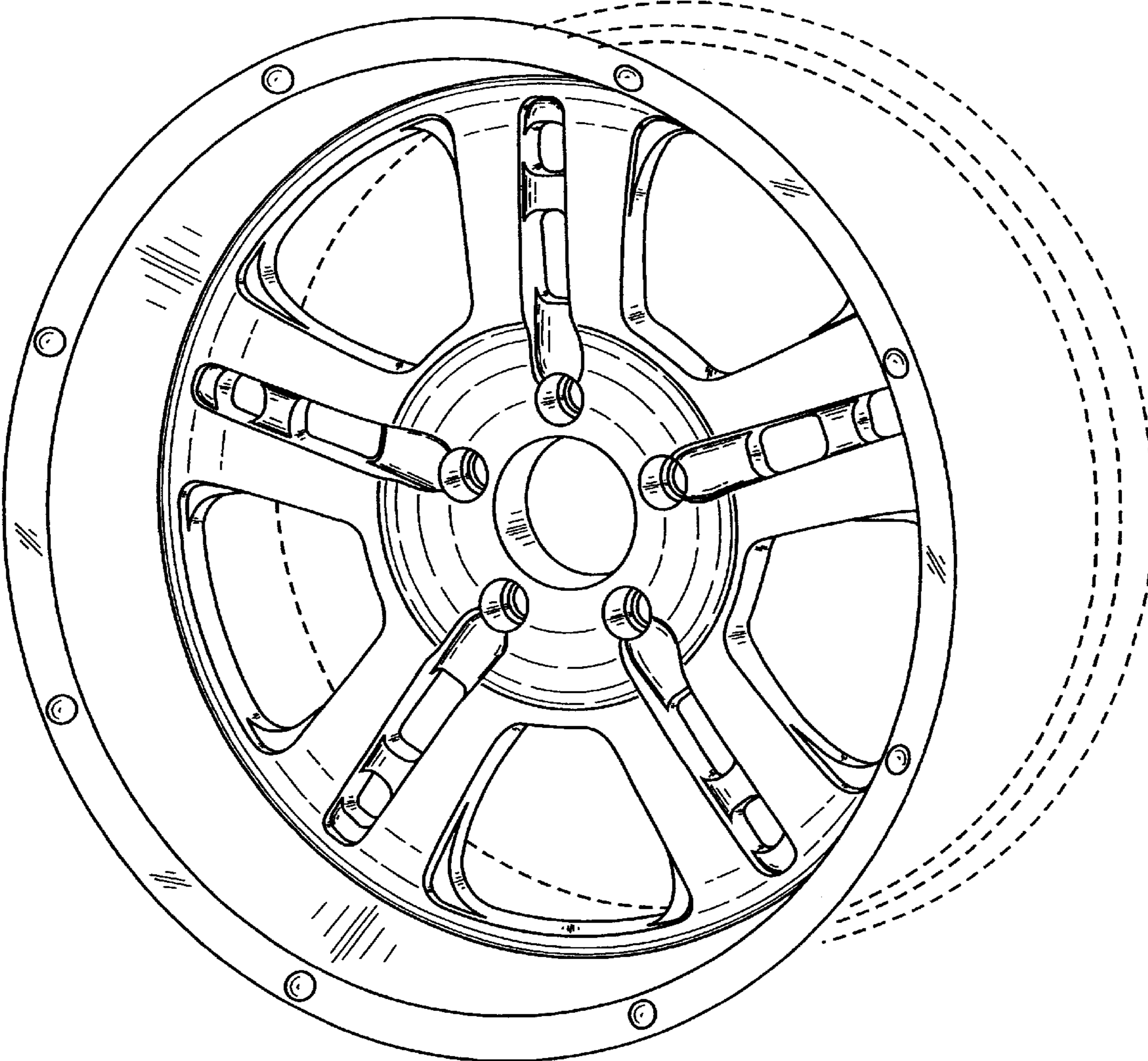


Fig. 3

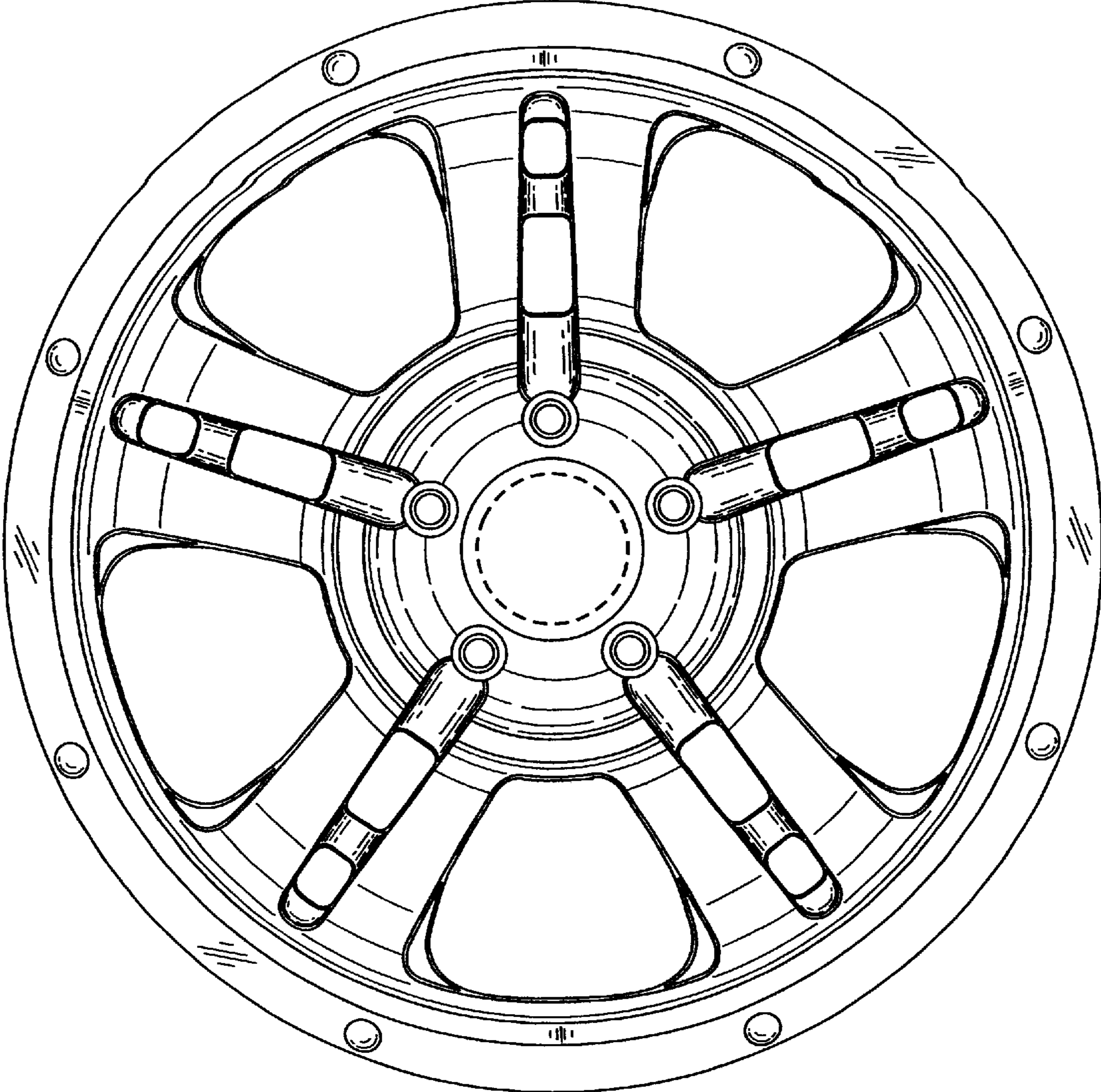


Fig. 4