



US00D543477S

(12) **United States Design Patent** (10) **Patent No.:** **US D543,477 S**
So et al. (45) **Date of Patent:** **** May 29, 2007**

(54) **COMBINED BRACELET OR RING JEWELRY LINKAGE**
(75) Inventors: **Mike So**, Kwai Chung (HK); **Asher Hoffman**, New York, NY (US)
(73) Assignee: **The Simmons Jewelry Co.**, New York, NY (US)
(**) Term: **14 Years**
(21) Appl. No.: **29/260,626**
(22) Filed: **May 30, 2006**
(51) **LOC (8) Cl.** **11-01**
(52) **U.S. Cl.** **D11/13; D11/26**
(58) **Field of Classification Search** D11/1-25, D11/81; D8/499; D12/114; 63/3, 4; 59/78, 59/79, 81, 82-83, 95
See application file for complete search history.

D400,468 S * 11/1998 Norman D11/81
D412,058 S * 7/1999 Edworthy D3/208
6,085,550 A 7/2000 Ishida 63/15.65
D438,813 S * 3/2001 Yellen D11/3
D441,692 S 5/2001 Niblett et al. D12/95
D443,843 S 6/2001 Schopfer D11/3
D445,055 S 7/2001 Subilia D11/3
D446,469 S 8/2001 Roden D11/3
D460,698 S * 7/2002 Jamin D10/32
D471,482 S 3/2003 Calvani D11/3
6,598,382 B1 7/2003 Yoo 59/80
D479,768 S * 9/2003 Macevicz D3/211
D489,020 S 4/2004 Hill D11/3
D491,828 S 6/2004 Chang D11/3
D492,613 S 7/2004 Kim et al. D11/12
D495,616 S 9/2004 Fountoulakis D11/26
D510,291 S 10/2005 Calvani D11/16
2002/0069670 A1 6/2002 Rosenberg
2003/0014996 A1 1/2003 Feuer

(56) **References Cited**

U.S. PATENT DOCUMENTS

522,247 A * 7/1894 Wilson 59/78
D25,557 S * 6/1896 Sturdy D11/79
D39,049 S 2/1908 Scullin
1,344,111 A 6/1920 Benson
D82,091 S 9/1930 Hill
D100,147 S 6/1936 Braun
D102,842 S * 1/1937 Ritter D11/12
D131,373 S * 2/1942 Chernow D11/12
3,022,648 A 2/1962 Thaler
3,147,586 A * 9/1964 Archer 59/78
3,633,357 A 1/1972 King 59/35
D246,830 S * 1/1978 Lossini D11/12
D246,960 S * 1/1978 Lossini D11/4
D247,103 S * 1/1978 Lossini D11/12
D265,067 S 6/1982 Grosskopf D11/30
D279,462 S 7/1985 Weikel D11/38
D298,422 S 11/1988 Messa D11/34
D299,815 S 2/1989 Shapiro D11/35
D299,912 S 2/1989 Goldman et al. D11/38
D301,121 S 5/1989 Messa D11/34
D339,081 S 9/1993 Pandel D11/3
D341,102 S 11/1993 Wunderman D11/3
D352,476 S 11/1994 Lefevre D11/25
D358,355 S 5/1995 Fernandez
D399,161 S 10/1998 Mougnot D11/3

* cited by examiner

Primary Examiner—Louis Zarfaz
Assistant Examiner—Michael Pratt

(74) *Attorney, Agent, or Firm*—Levisohn, Berger & Langsam, LLP

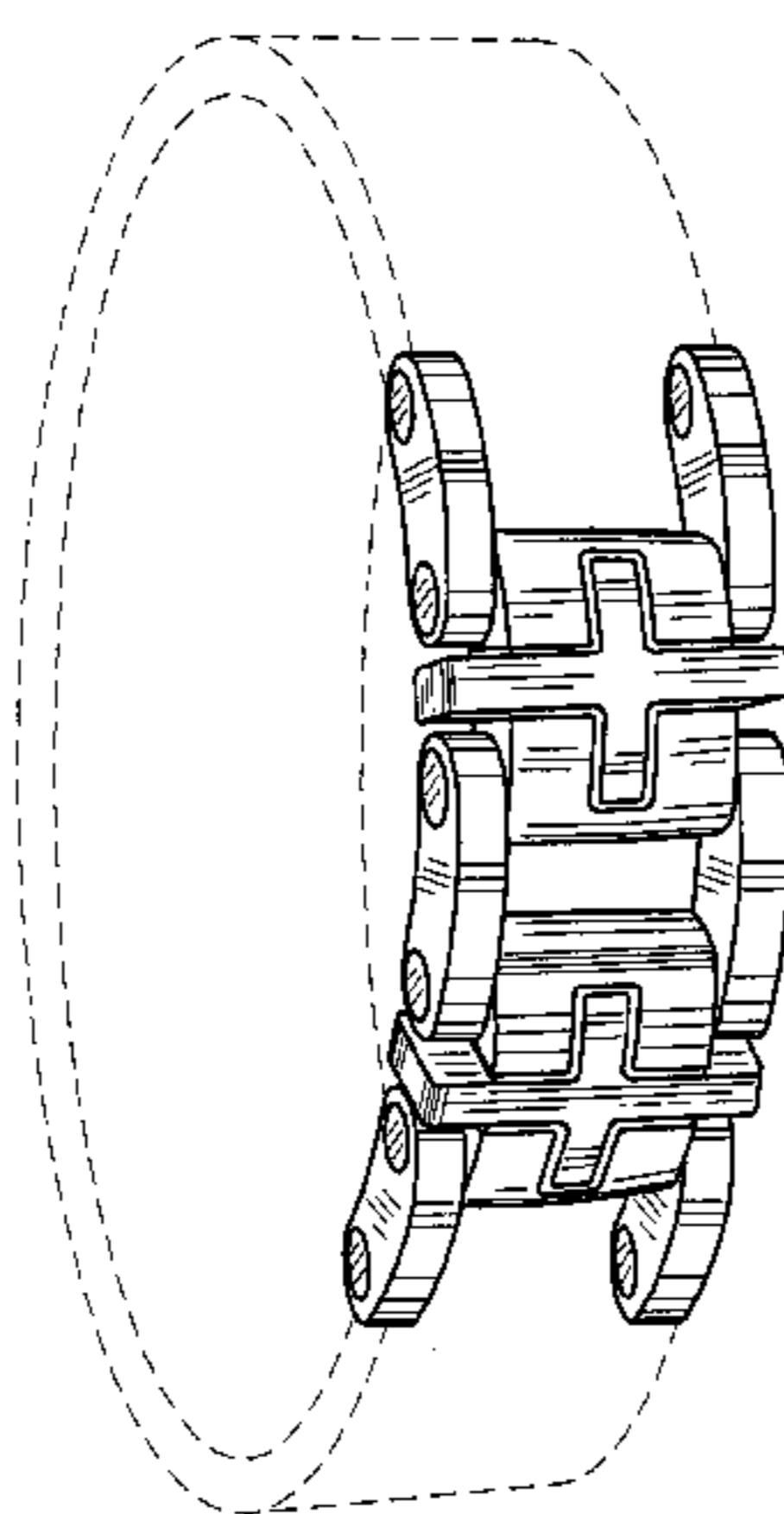
(57) **CLAIM**

The ornamental design for combined bracelet or ring jewelry linkage, as shown and described.

DESCRIPTION

FIG. 1 is a perspective view of a first embodiment of the present invention;
FIG. 2 is a top plan view of the invention of FIG. 1;
FIG. 3 is a bottom plan view of the invention of FIG. 1;
FIG. 4 is a right side plan view of the invention of FIG. 1, the left side plan view being substantially identical; and,
FIG. 5 is a top plan view of a second embodiment of the present invention, the remaining views being substantially identical with those of the first embodiment except for the extension of the rivets and the difference in proportional relationships.
The broken lines are for illustrative purposes only and form no part of the claimed design.

1 Claim, 5 Drawing Sheets



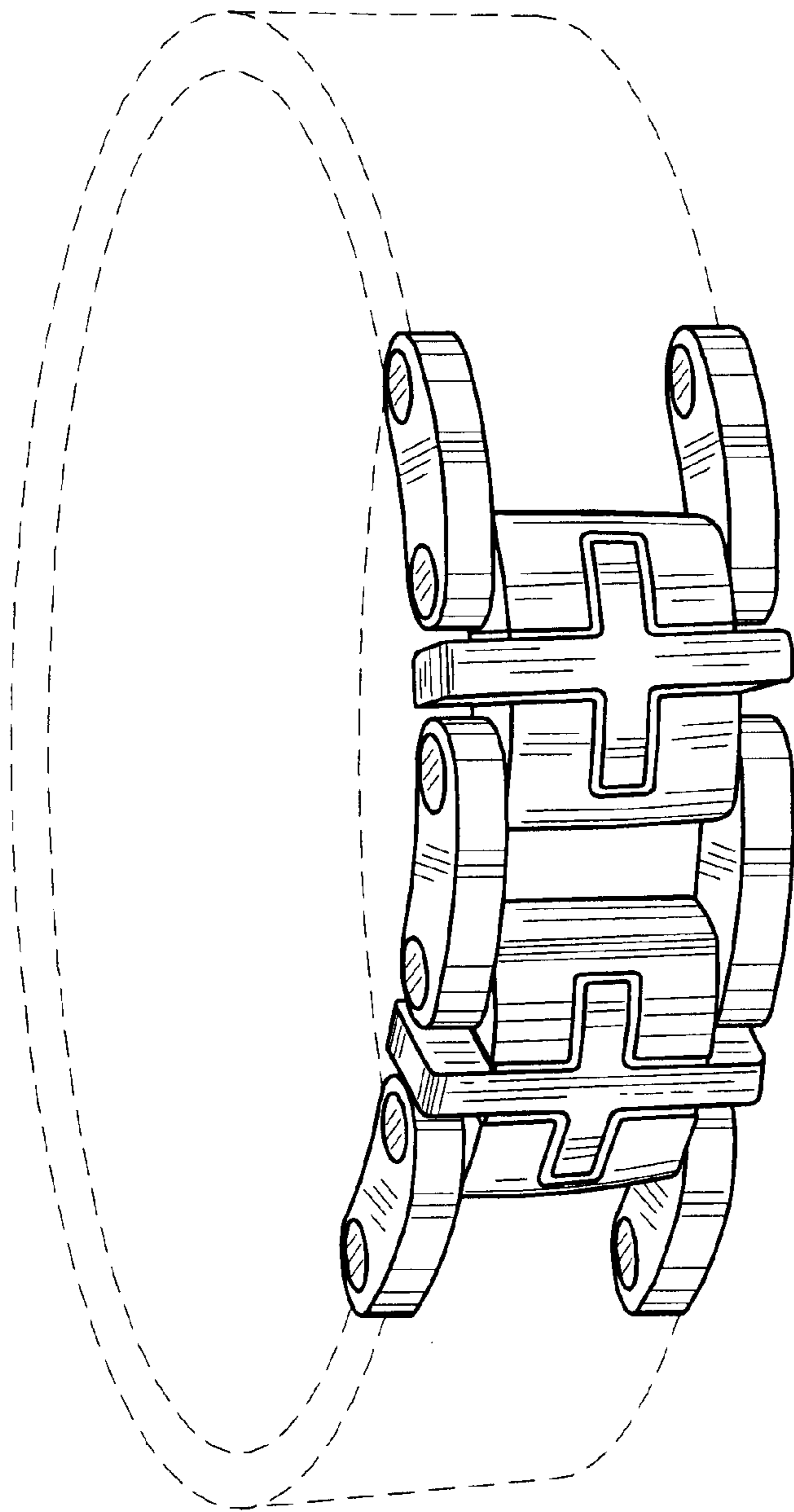


FIG. 1

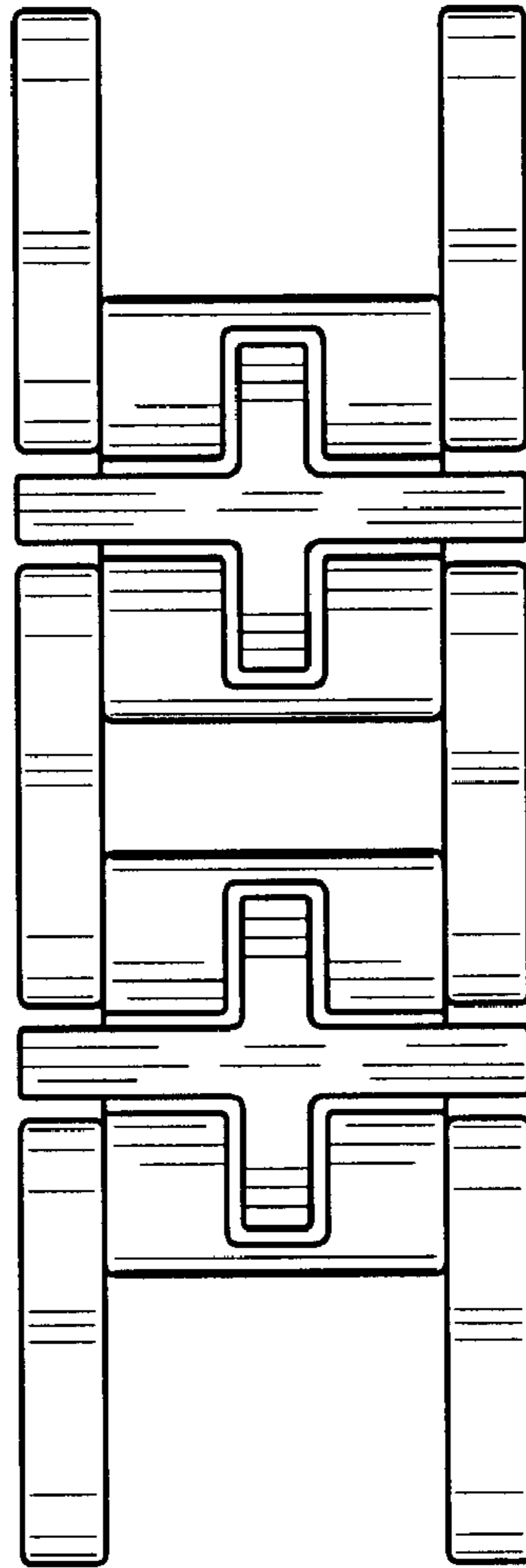


FIG. 2

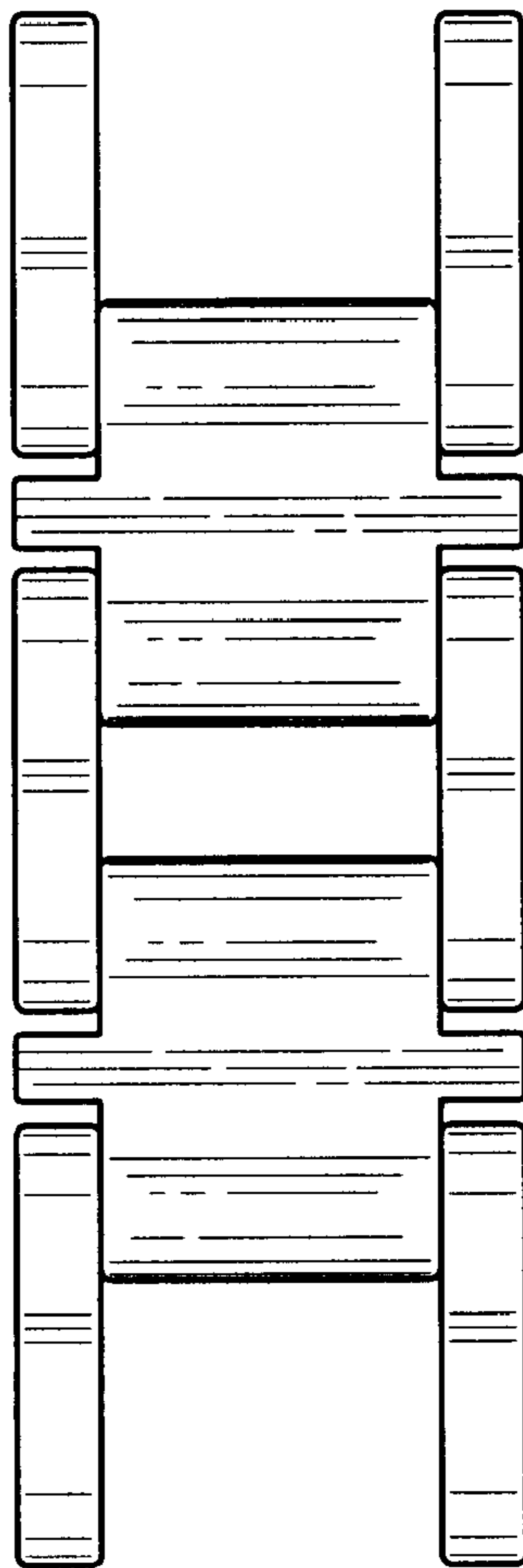


FIG. 3

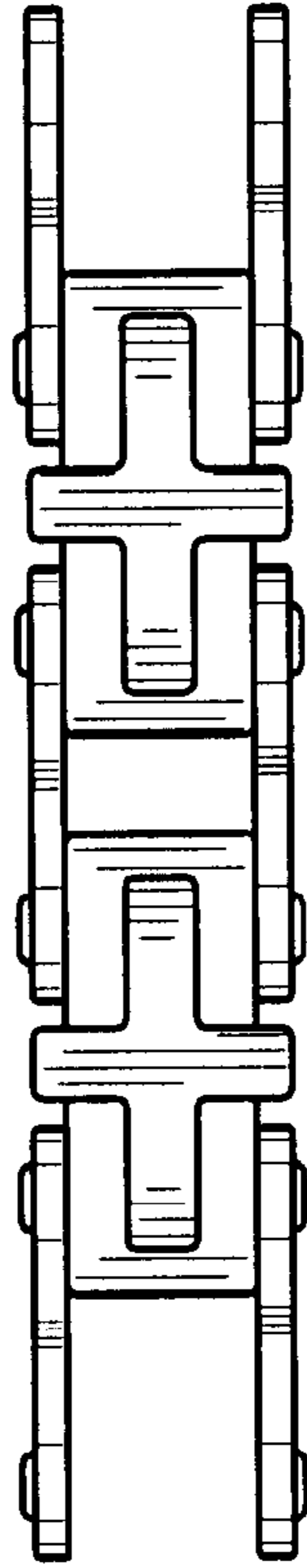


FIG. 4

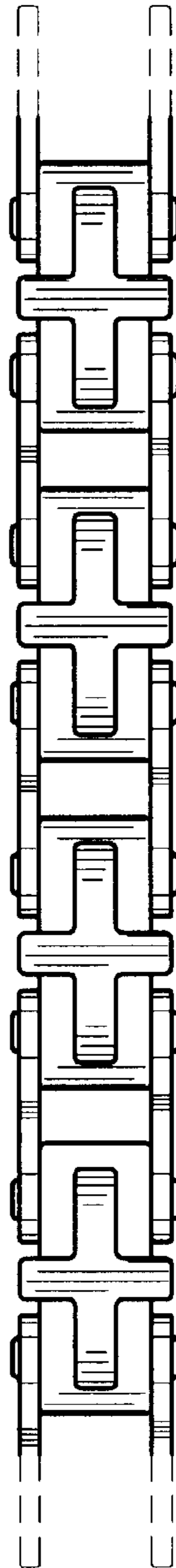


FIG. 5

UNITED STATES PATENT AND TRADEMARK OFFICE
CERTIFICATE OF CORRECTION

PATENT NO. : Des. 543,477 S
APPLICATION NO. : 29/260626
DATED : May 29, 2007
INVENTOR(S) : Mike So and Asher Hoffman

Page 1 of 1

It is certified that error appears in the above-identified patent and that said Letters Patent is hereby corrected as shown below:

Title Page

DESCRIPTION

Fig. 1 is a perspective view of a first embodiment of the present invention;

Fig. 2 is a top plan view of the invention of Fig. 1;

Fig. 3 is a bottom plan view of the invention of Fig. 1;

Fig. 4 is a top plan view of a second embodiment of the present invention, the remaining views being substantially identical with those of the first embodiment except for the extension of the rivets and the difference in proportional relationships.

Delete Fig. 5.

The broken lines are for illustrative purposes only and form no part of the claimed design.

Signed and Sealed this

Twenty-third Day of October, 2007

A handwritten signature in black ink on a light gray dotted background. The signature reads "Jon W. Dudas" in a cursive, stylized script.

JON W. DUDAS

Director of the United States Patent and Trademark Office