

US00D543476S

(12) **United States Design Patent**
Barmettler et al.

(10) **Patent No.:** **US D543,476 S**

(45) **Date of Patent:** **** May 29, 2007**

(54) **PRESSURE GAGE WITH AXIAL CONNECTOR**

5,286,931 A * 2/1994 Murphy et al. 73/733
6,763,725 B1 * 7/2004 Huang 73/732

(75) Inventors: **Peter Barmettler**, Hunenberg (CH);
Andreas Arnold, Hitzkirch (CH); **Kurt Grunder**, Burg (CH)

* cited by examiner

Primary Examiner—Antoine D. Davis

(74) *Attorney, Agent, or Firm*—W. Norman Roth

(73) Assignee: **WIKA Alexander Wiegand GmbH & Co. KG**, Main (DE)

(57) **CLAIM**

(**) Term: **14 Years**

The ornamental design for a pressure gage with axial connector, as show.

(21) Appl. No.: **29/233,499**

DESCRIPTION

(22) Filed: **Jul. 1, 2005**

(51) **LOC (8) Cl.** **10-04**

FIG. 1 is a perspective view showing the front of our new design;

(52) **U.S. Cl.** **D10/85**

FIG. 2 is a perspective view showing the rear of our new design;

(58) **Field of Classification Search** D10/85;

73/715–722, 431, 732–733; 200/83, 83 B,
200/83 C, 83 L; 324/110–116, 119

FIG. 3 is a right side elevation view of our new design, the left side being a mirror image thereof; and,

See application file for complete search history.

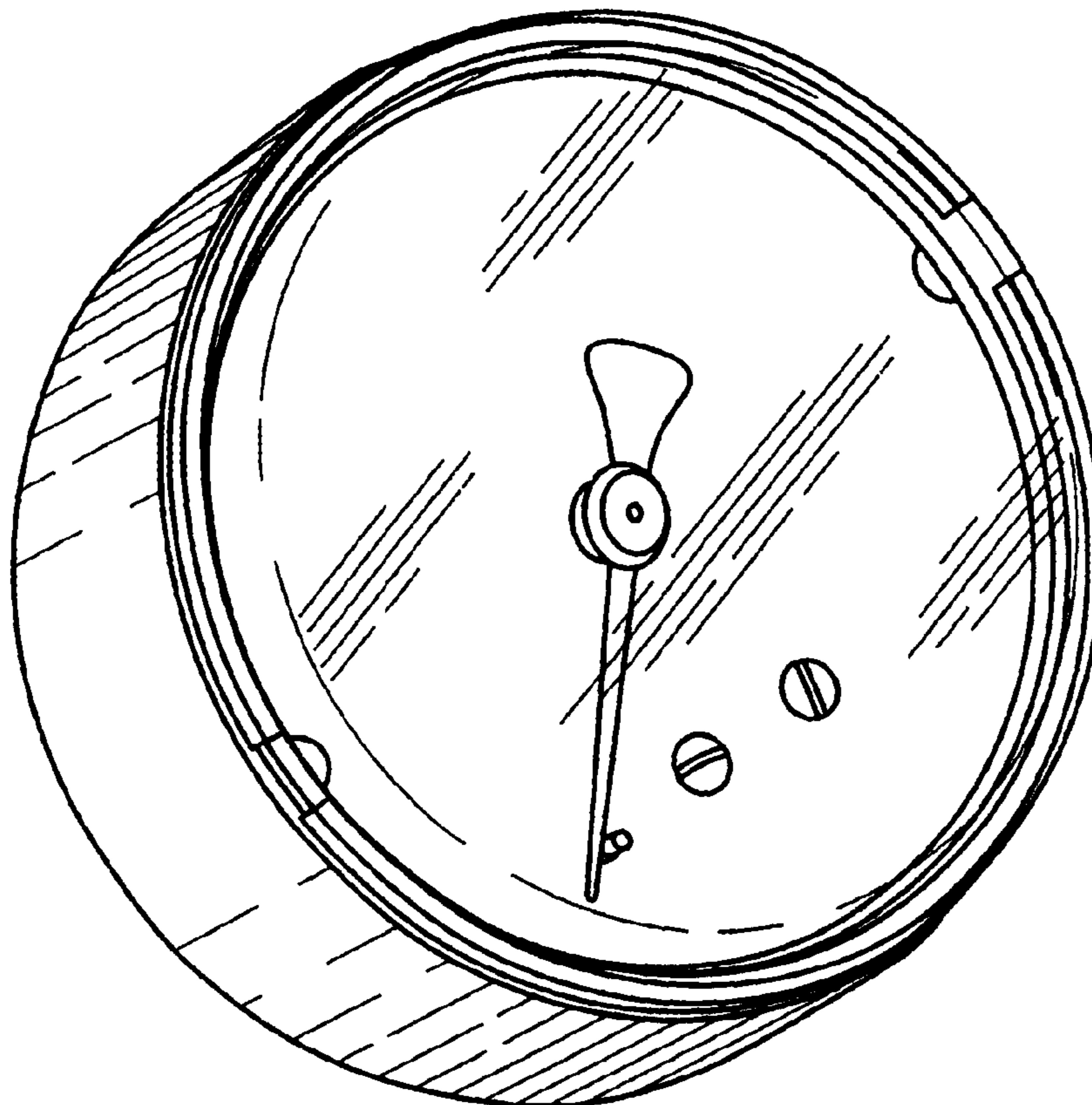
FIG. 4 is a top plan view of our new design, the bottom plan being a mirror image thereof.

(56) **References Cited**

U.S. PATENT DOCUMENTS

D225,268 S * 11/1972 Waite D10/85

1 Claim, 2 Drawing Sheets



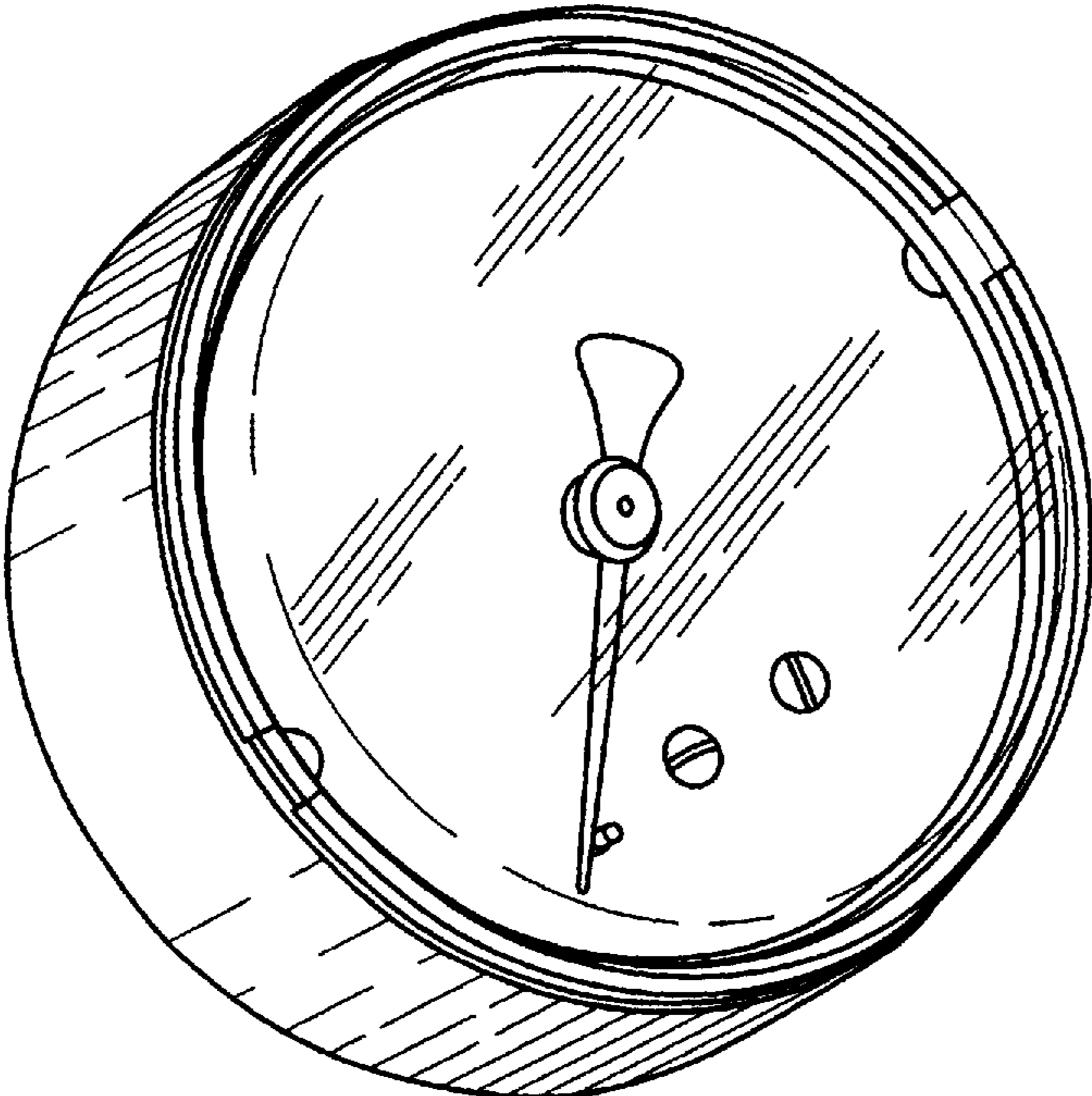


FIG. 1

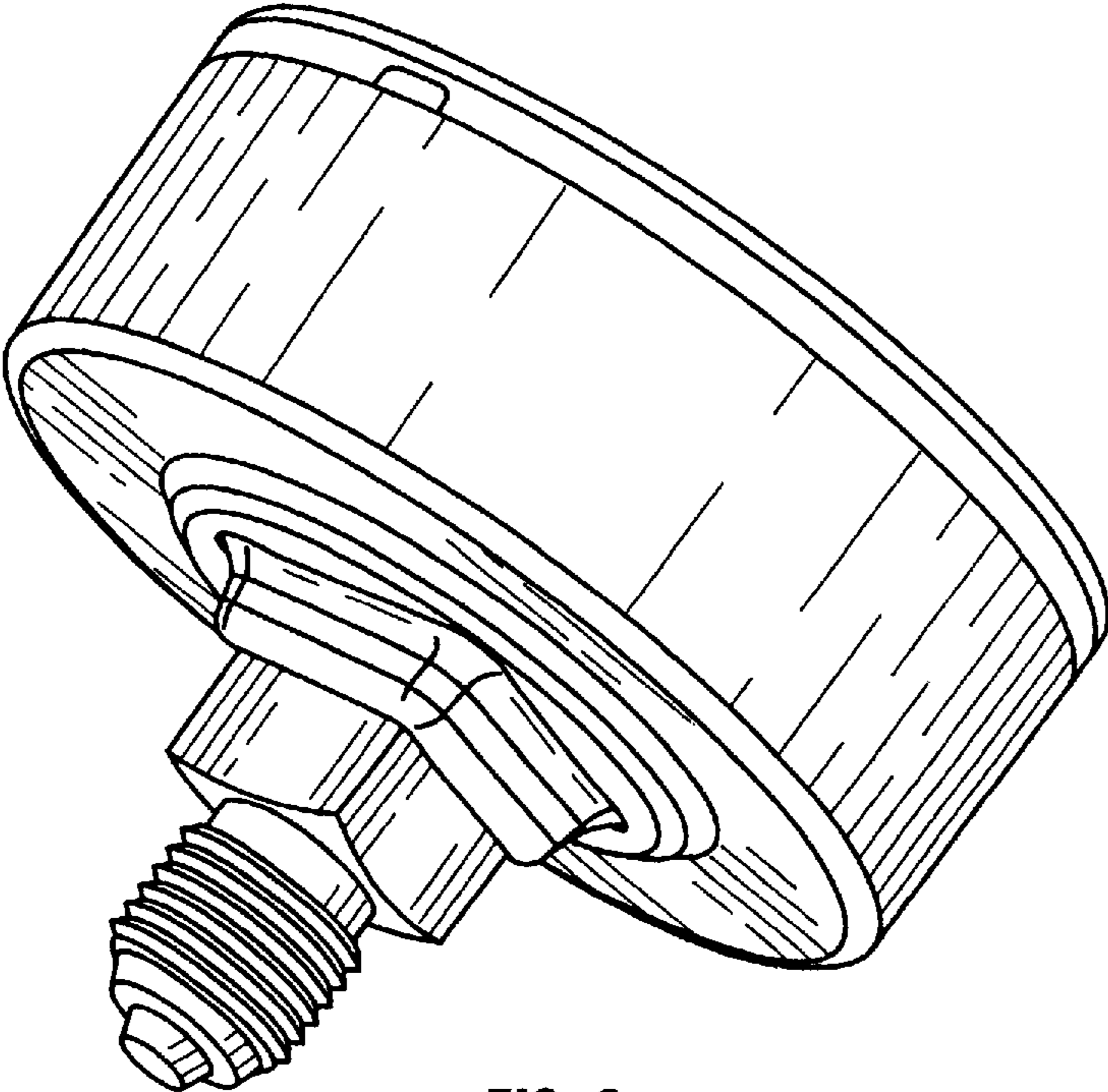


FIG. 2

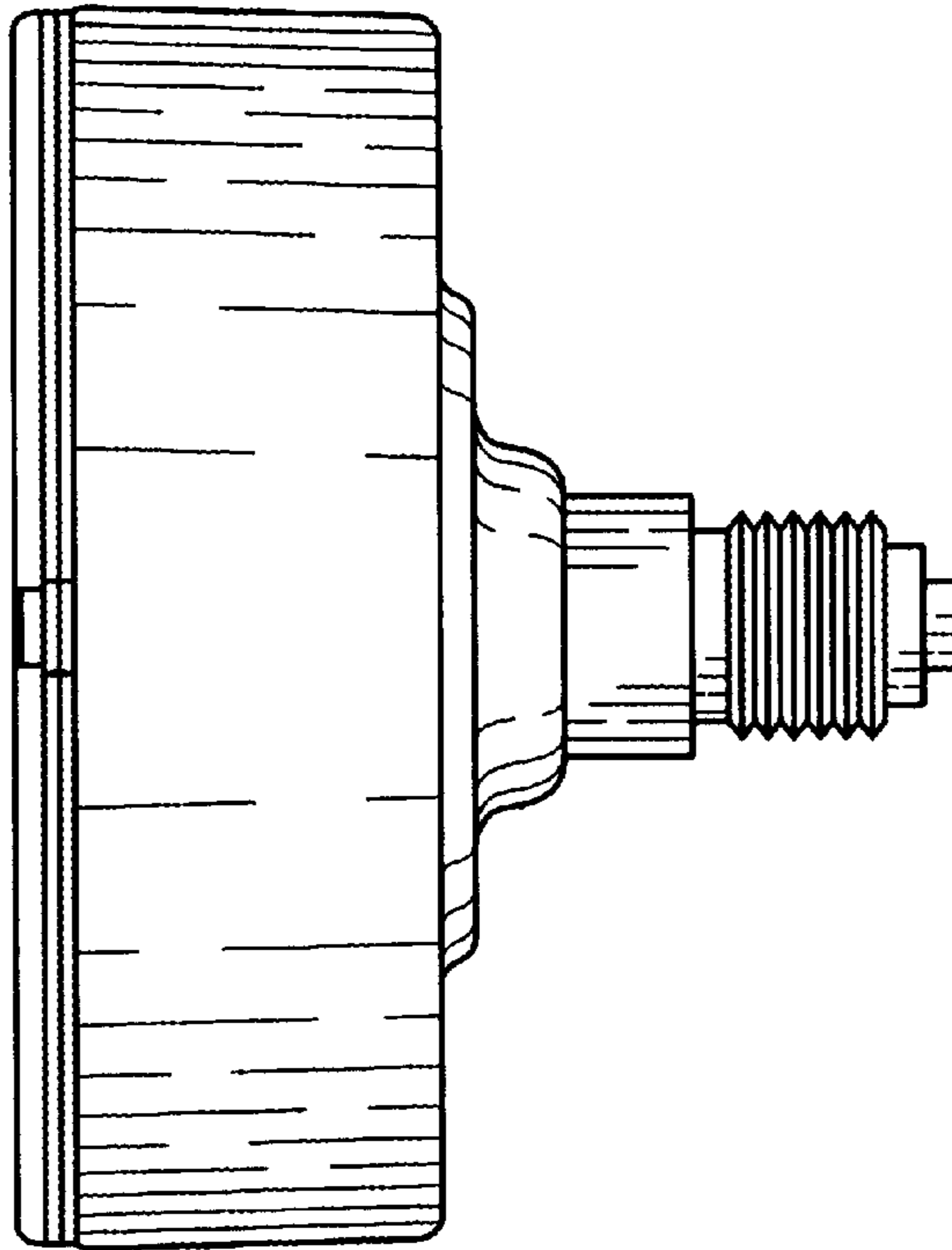


FIG. 3

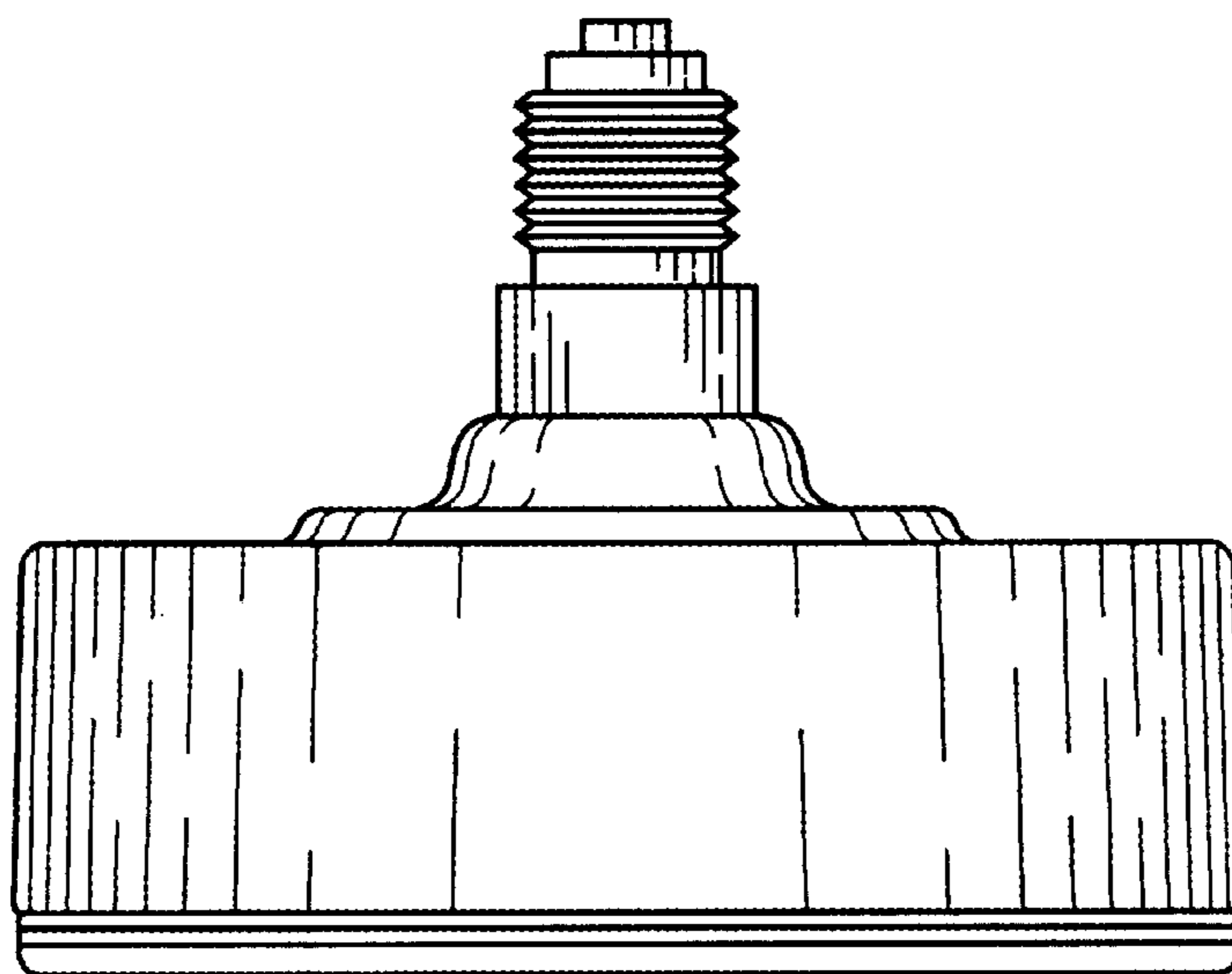


FIG. 4