



US00D543467S

(12) **United States Design Patent**  
**Dorn**

(10) **Patent No.:** **US D543,467 S**

(45) **Date of Patent:** **\*\* May 29, 2007**

(54) **PLASTIC CONTAINER**

(75) Inventor: **James C. Dorn**, Norton, OH (US)

(73) Assignee: **Plastipak Packaging, Inc.**, Plymouth, MI (US)

(\*\*) Term: **14 Years**

(21) Appl. No.: **29/236,343**

(22) Filed: **Aug. 15, 2005**

(51) **LOC (8) Cl.** ..... **09-01**

(52) **U.S. Cl.** ..... **D9/543**

(58) **Field of Classification Search** ..... D9/516,  
D9/522-523, 528, 530-531, 541, 543, 563-564,  
D9/569-570, 575; D7/543, 601-602, 612,  
D7/615; 215/379, 382-384; 220/660, 669-670  
See application file for complete search history.

(56) **References Cited**

**U.S. PATENT DOCUMENTS**

D209,018 S	*	10/1967	Holtz	.....	D9/543
D269,948 S	*	8/1983	Janssen	.....	D9/523
D284,728 S	*	7/1986	Trivison	.....	D7/629
D350,876 S	*	9/1994	VanValkenburg et al.	....	D7/612
D369,755 S	*	5/1996	Burcham et al.	.....	D7/612
D370,850 S	*	6/1996	Beaver	.....	D9/543
D396,808 S	*	8/1998	Maria Camps et al.	.....	D9/527
5,823,345 A	*	10/1998	Nask et al.	.....	222/143

D413,200 S	*	8/1999	Baker	.....	D3/23
D462,012 S	*	8/2002	Manderfield, Jr.	.....	D9/530
D473,142 S	*	4/2003	Beaver	.....	D9/530
D476,898 S	*	7/2003	Schuller et al.	.....	D9/537
D480,007 S	*	9/2003	Mungur et al.	.....	D9/538
D500,679 S	*	1/2005	Walsh et al.	.....	D9/543
D500,953 S	*	1/2005	Nottingham et al.	.....	D9/528
D530,617 S	*	10/2006	Little et al.	.....	D9/543

\* cited by examiner

*Primary Examiner*—Ian Simmons

*Assistant Examiner*—Dana Sipos

(74) *Attorney, Agent, or Firm*—Robert H. Bachman

(57) **CLAIM**

The ornamental design for a plastic container, as shown and described.

**DESCRIPTION**

FIG. 1 is a top, rear, right side perspective view of a plastic container showing our new design;

FIG. 2 is a right side elevational view thereof;

FIG. 3 is a left side elevational view thereof;

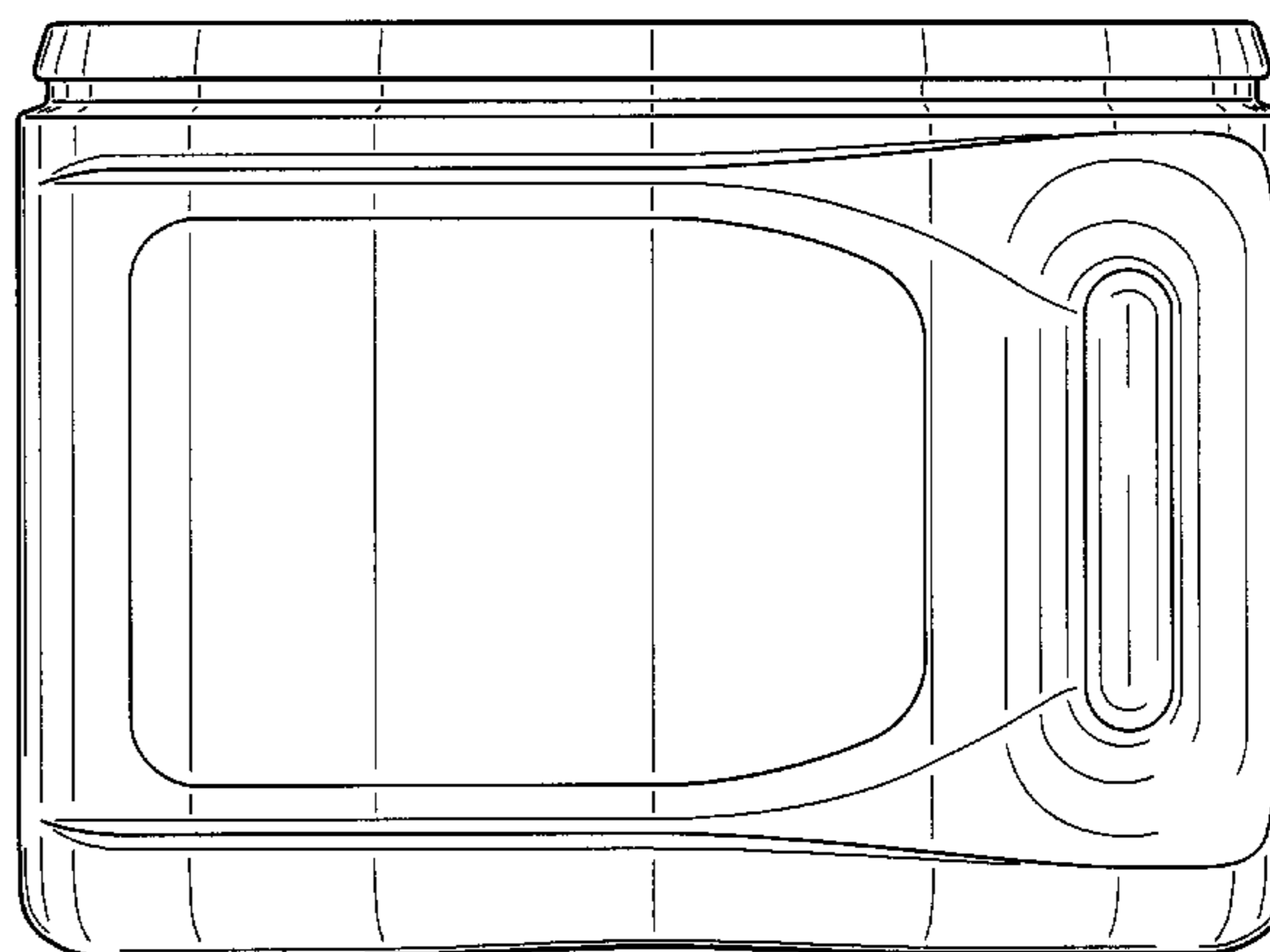
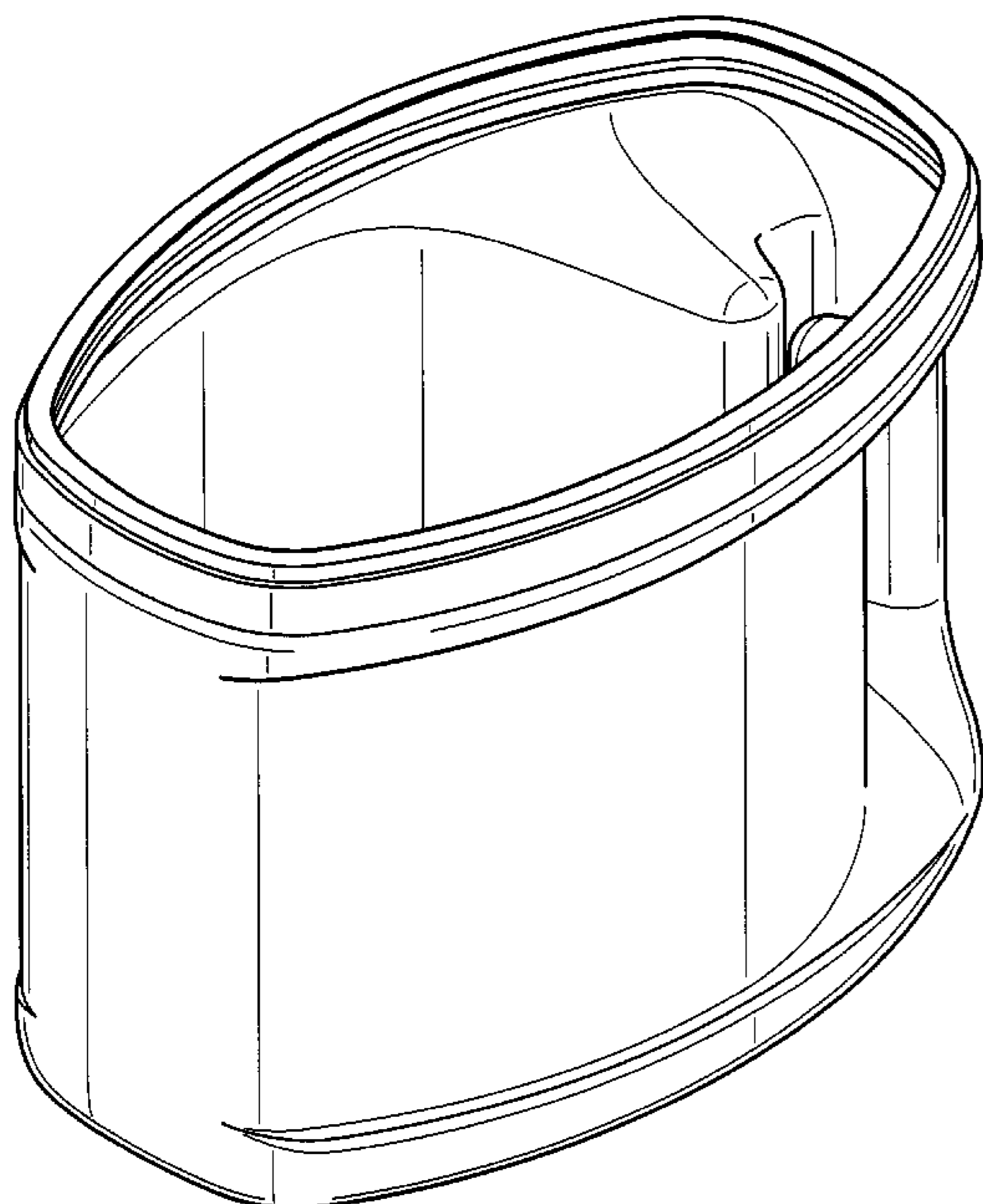
FIG. 4 is a rear elevational view thereof;

FIG. 5 is a front elevational view thereof; and,

FIG. 6 is a top plan view thereof.

The broken lines shown in the drawings are for illustrative purposes only and form no part of the claimed design.

**1 Claim, 4 Drawing Sheets**



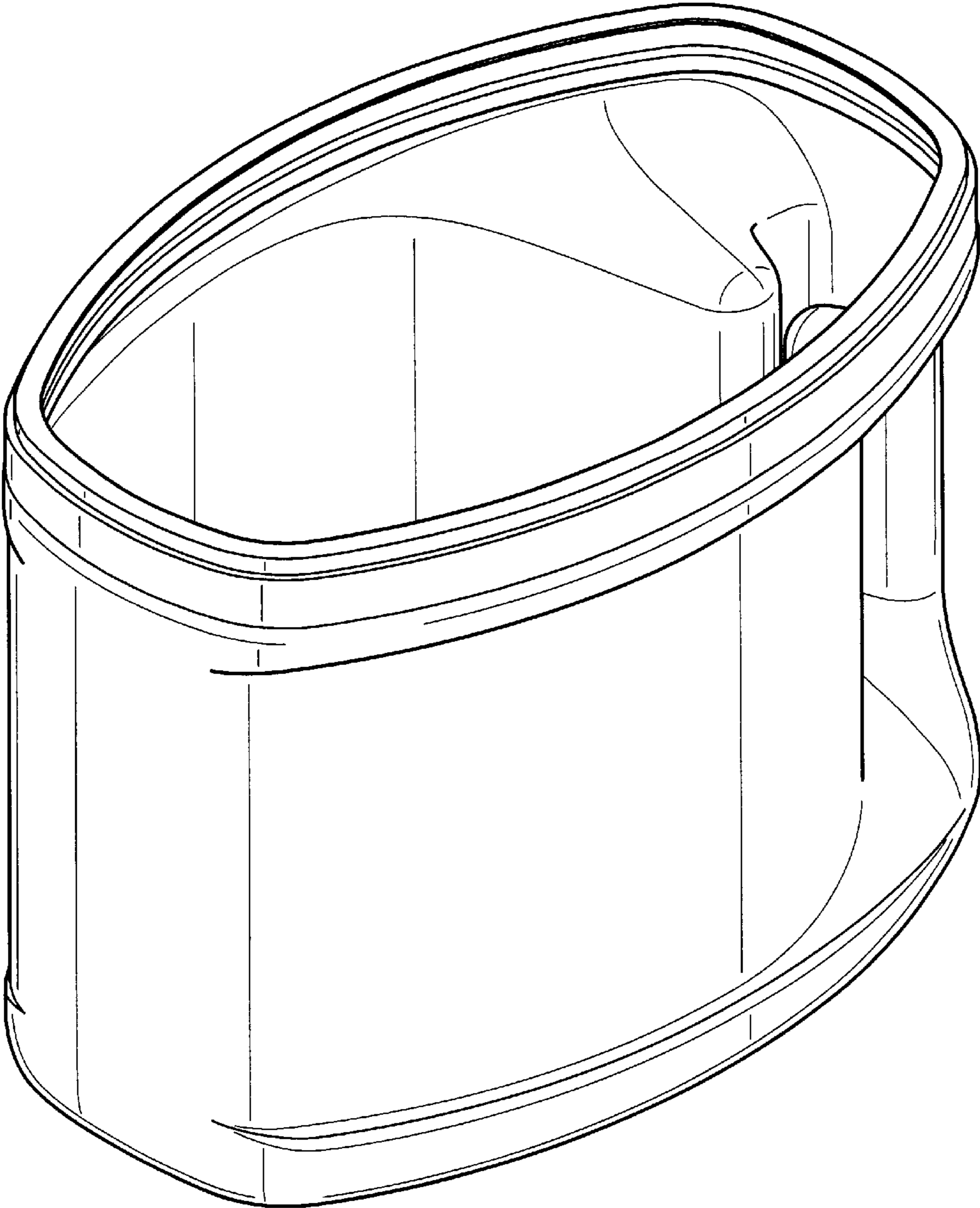


FIG. 1

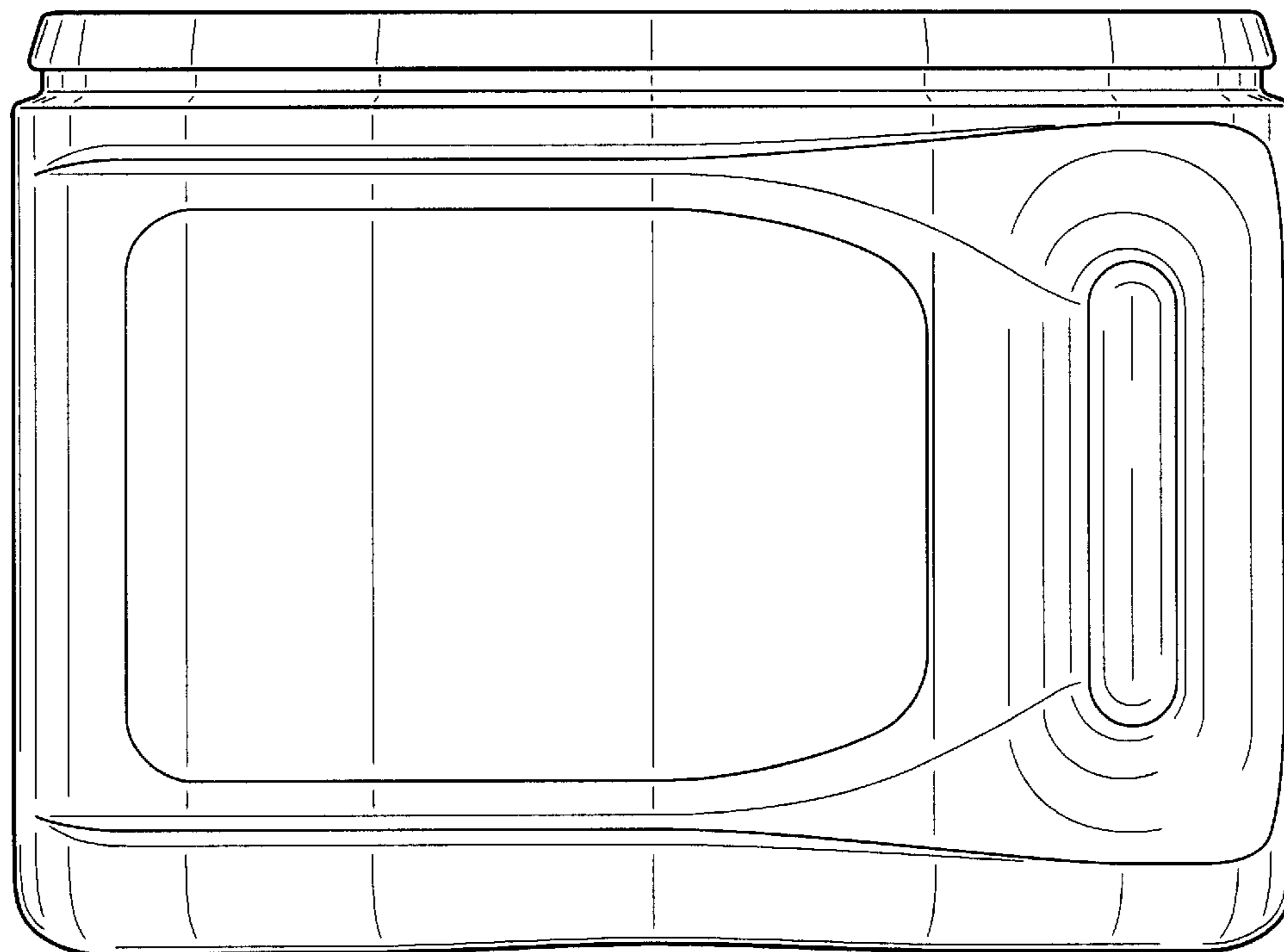


FIG. 2

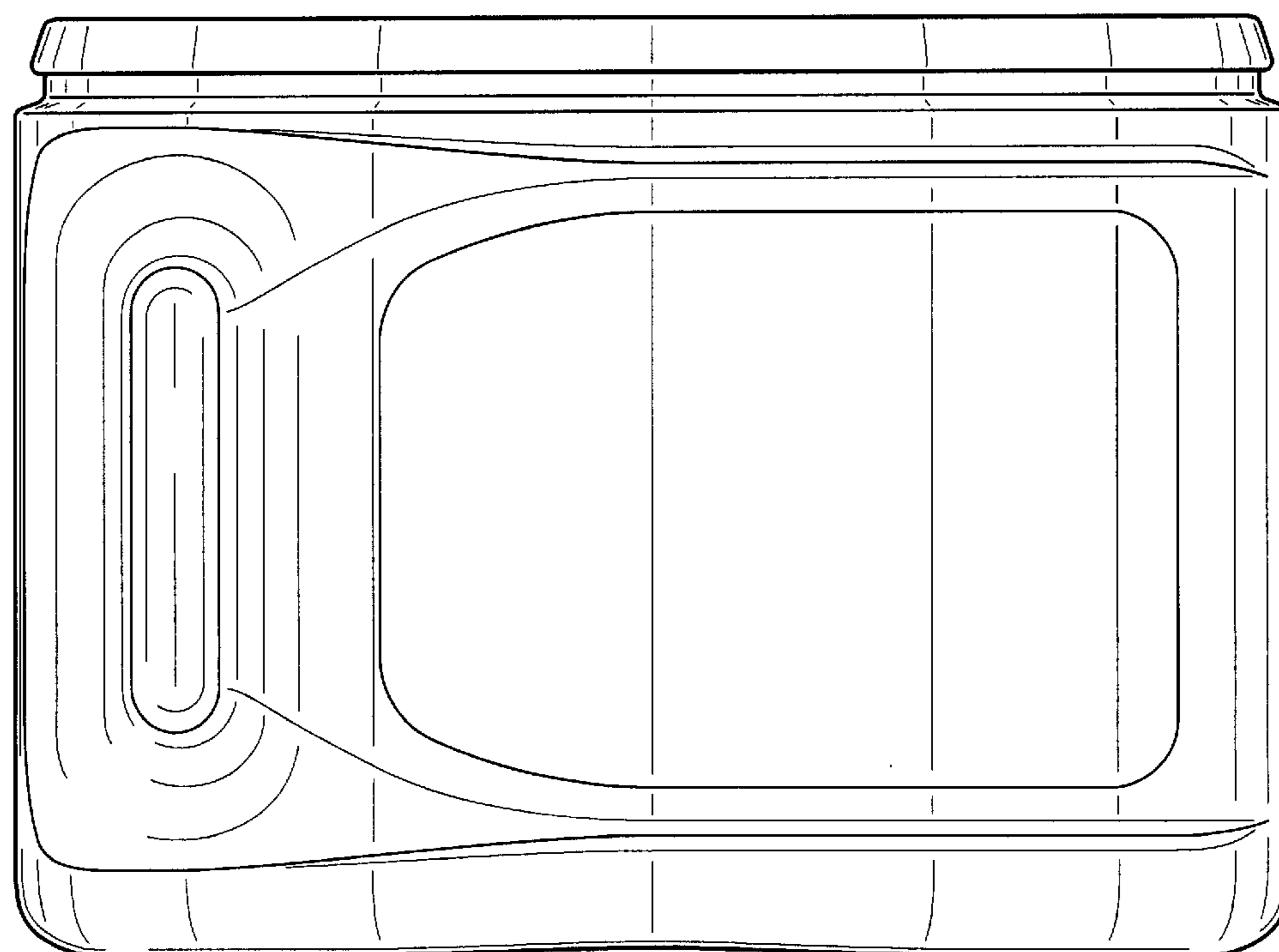


FIG. 3

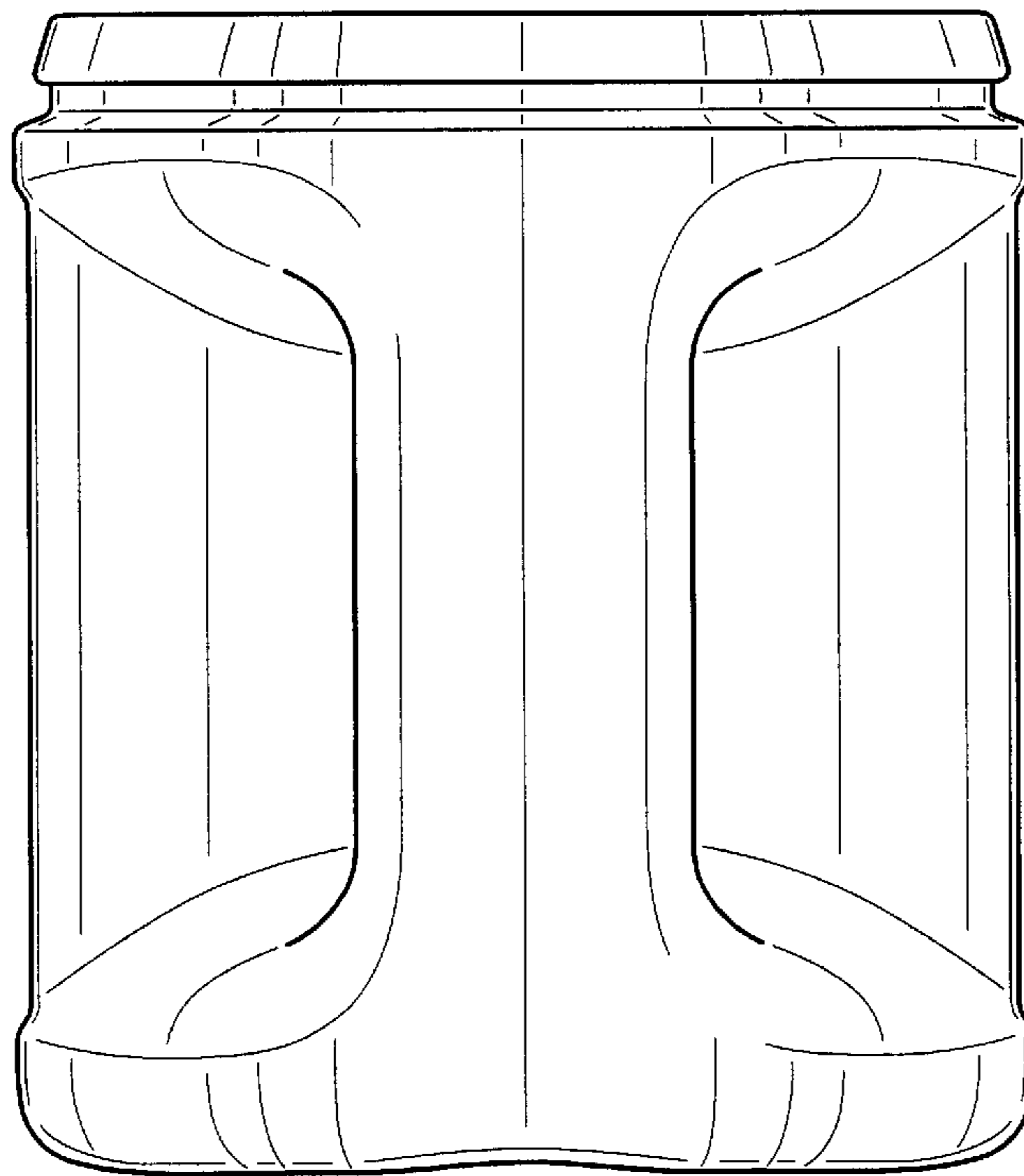


FIG. 4

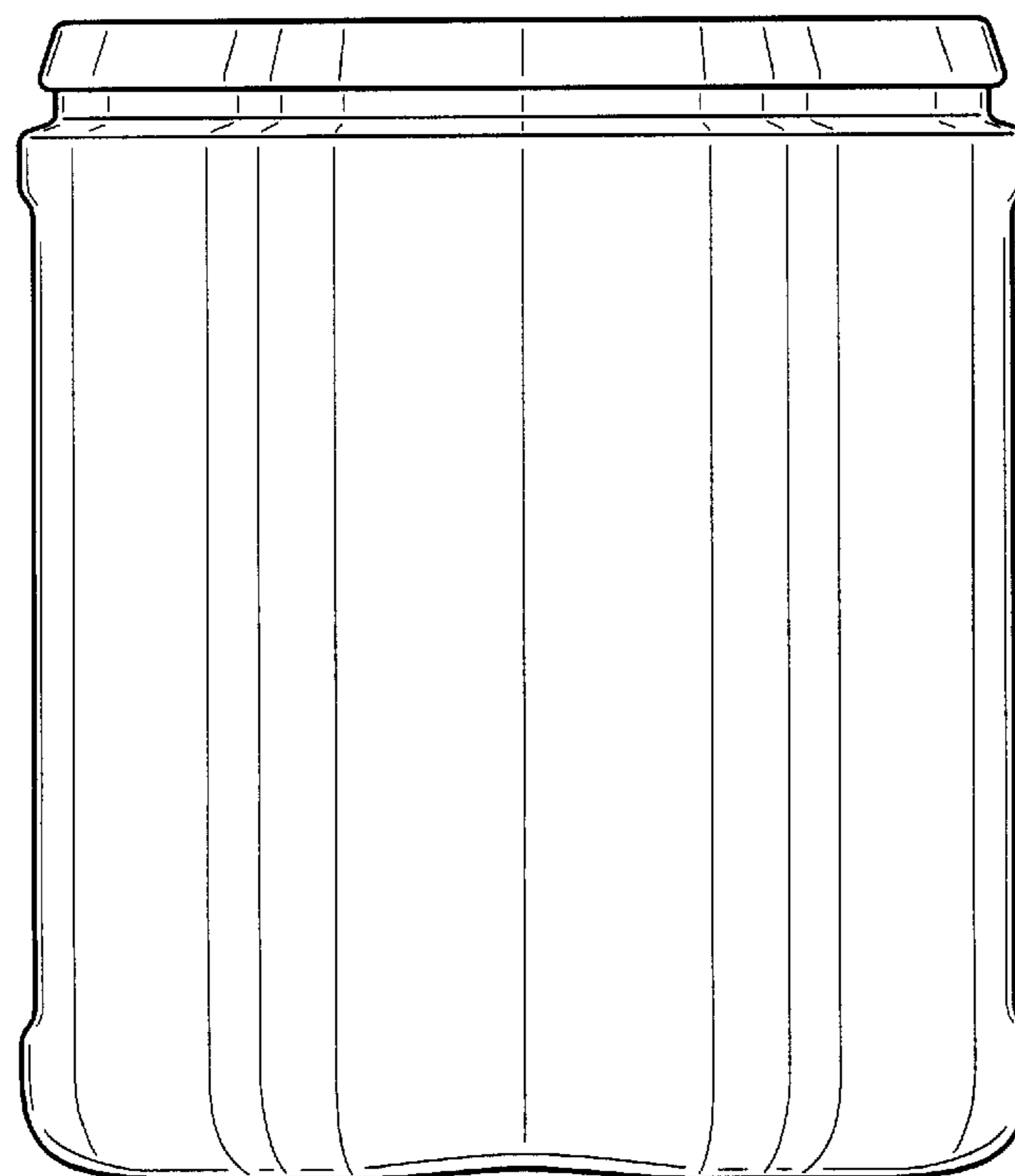


FIG. 5

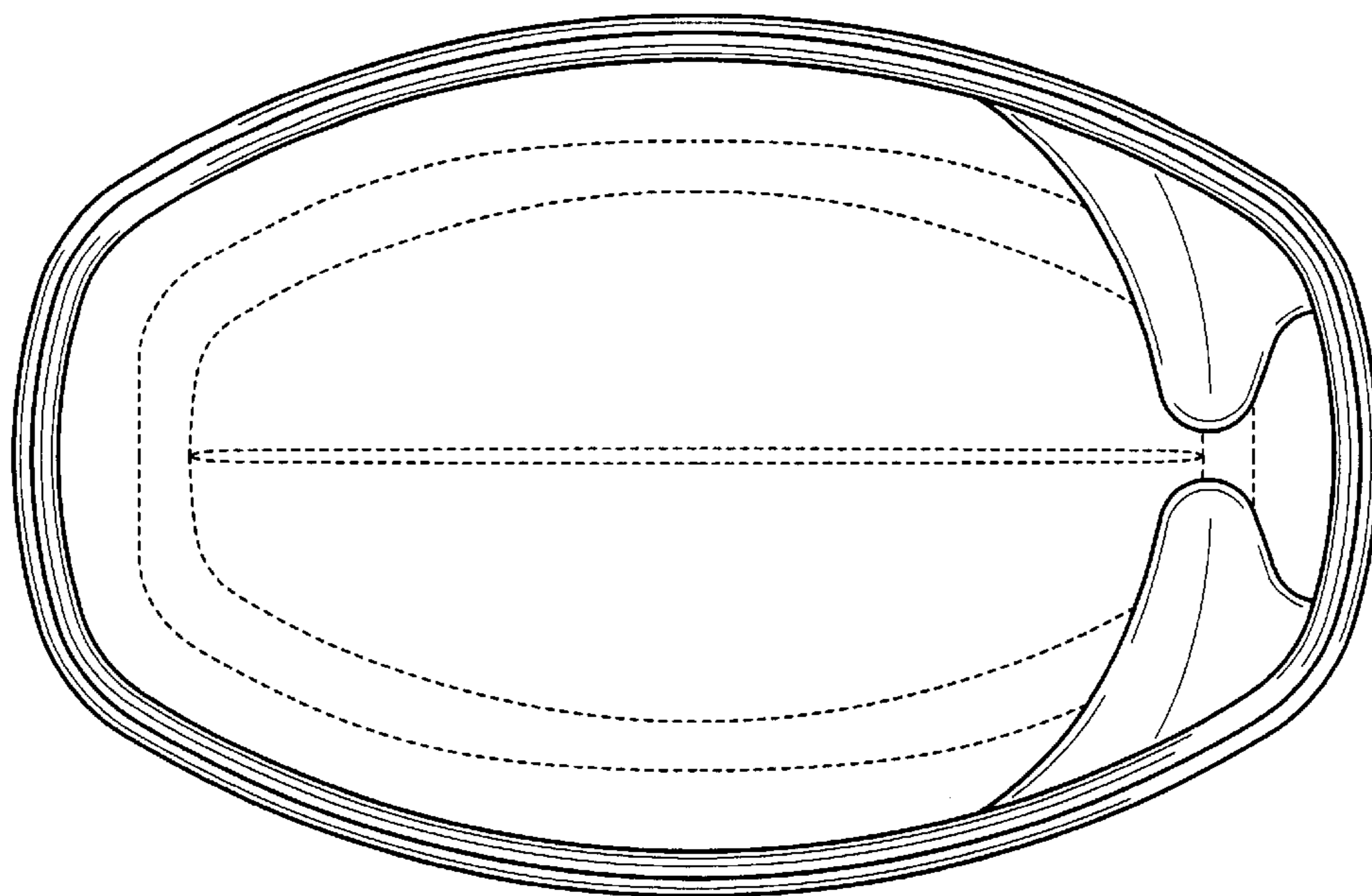


FIG. 6