

US00D543464S

(12) **United States Design Patent**
Lora

(10) **Patent No.:** **US D543,464 S**
(45) **Date of Patent:** **** May 29, 2007**

- (54) **BOTTLE**
- (75) Inventor: **Raul L. Lora**, St. Petersburg, FL (US)
- (73) Assignee: **American Homehealth, Inc.**, St. Petersburg, FL (US)
- (**) Term: **14 Years**
- (21) Appl. No.: **29/241,078**
- (22) Filed: **Oct. 21, 2005**
- (51) **LOC (8) Cl.** **09-01**
- (52) **U.S. Cl.** **D9/523**
- (58) **Field of Classification Search** D9/523,
D9/562, 516, 522, 557, 570, 502; 215/382-384;
220/669

See application file for complete search history.

(56) **References Cited**

U.S. PATENT DOCUMENTS

- D16,712 S 5/1886 Underwood
- D22,423 S 5/1893 Hofmann et al.
- D24,324 S 5/1895 Estes
- D67,100 S 4/1925 Schwenck
- D74,828 S 4/1928 Gatchell
- D85,233 S 9/1931 Fuerst
- D85,689 S 12/1931 Dole
- D86,306 S 2/1932 Fuerst
- D87,048 S 5/1932 Cumming
- D93,974 S 12/1934 Fuerst
- D95,787 S 6/1935 Ahrens
- D102,268 S 12/1936 Flannery
- D103,774 S * 3/1937 Funkey D9/562
- D109,311 S 4/1938 Calleson et al.
- D112,532 S 12/1938 Meier, Jr.
- D117,723 S 11/1939 Rising
- D120,750 S 5/1940 Foster
- D124,641 S 1/1941 Levy
- D128,627 S 8/1941 Ireys
- D145,645 S 9/1946 Runnels
- D152,959 S 3/1949 Graf
- D158,332 S 4/1950 Schmidt
- D159,616 S 8/1950 Hoffman

- D160,096 S 9/1950 Lodes
- D160,098 S 9/1950 Lodes
- D177,761 S 5/1956 Reinhardt
- D181,618 S 12/1957 Barton
- D190,889 S 7/1961 Koenigsberg
- D193,913 S 10/1962 Roberts
- D193,955 S 10/1962 Livingston Alexander
- D195,369 S 6/1963 Koenigsberg
- D197,308 S 1/1964 Sterges
- D209,476 S 12/1967 Trombley et al.
- D240,593 S 7/1976 Koenigsberg
- 3,995,572 A 12/1976 Saunders
- D246,030 S 10/1977 Sexton et al.
- D246,229 S 11/1977 Saunders
- D250,394 S 11/1978 Menius
- D257,958 S 1/1981 Sexton et al.
- D268,325 S 3/1983 Lang
- D273,092 S 3/1984 Kretz
- D297,308 S 8/1988 Lyons
- D302,522 S * 8/1989 Charboneau et al. D9/523
- D304,159 S * 10/1989 Kleinert D9/523
- D312,775 S 12/1990 Tacconelli

(Continued)

FOREIGN PATENT DOCUMENTS

- GB 2102825 8/2001
- WO DM/063368 1/2003

Primary Examiner—Stella Reid
Assistant Examiner—Keli' L. Acker
(74) *Attorney, Agent, or Firm*—David W. Pettis, Jr., P.A.

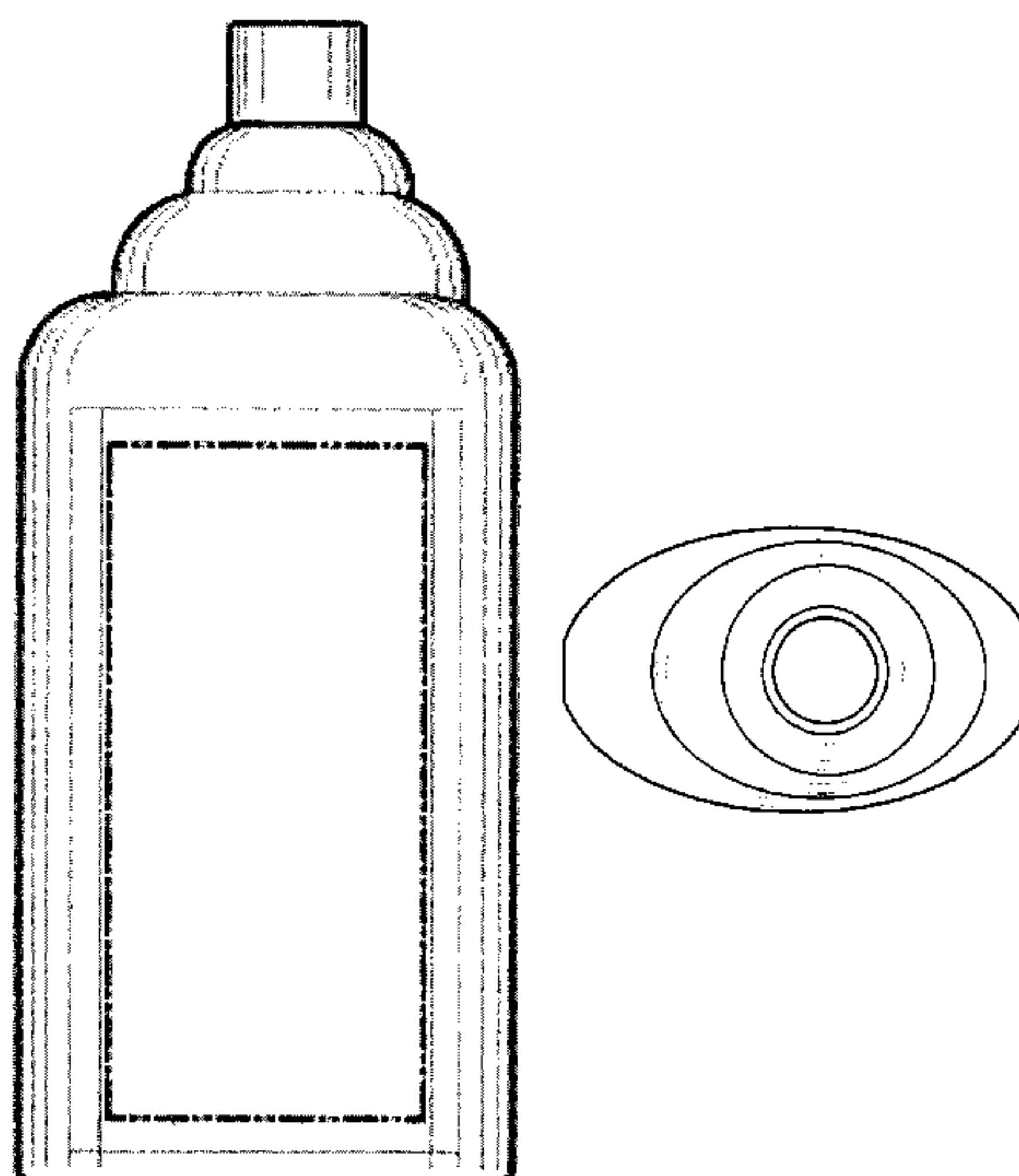
(57) **CLAIM**

The ornamental design for a bottle, as shown and described.

DESCRIPTION

FIG. 1 is a front elevation view of my bottle;
FIG. 2 is a left side elevation view thereof;
FIG. 3 is a right side elevation view thereof;
FIG. 4 is a back elevation view thereof;
FIG. 5 is a top plan view thereof; and,
FIG. 6 is a bottom plan view thereof.

1 Claim, 2 Drawing Sheets



US D543,464 S

Page 2

U.S. PATENT DOCUMENTS

D313,931 S	1/1991	Malvoisin		D417,850 S	12/1999	Miller	
D321,129 S	10/1991	Giuseppe		D419,886 S	2/2000	Gans	
D323,780 S	2/1992	Addante		D424,444 S	5/2000	Lefebvre	
D337,274 S	7/1993	Thatcher		D430,804 S	9/2000	Bulsink	
D342,680 S	12/1993	Pereira et al.		6,138,847 A	10/2000	Johnson	
D346,329 S	4/1994	Biesecker, II		D441,291 S	5/2001	Lichtman et al.	
D349,045 S	7/1994	Schmitt		D443,202 S	6/2001	Boussiquet et al.	
D356,248 S	3/1995	Wilkinson		D444,700 S	7/2001	Ebert	
D369,977 S	5/1996	Sexton, Jr.		D446,126 S	8/2001	Bretz et al.	
D375,266 S	11/1996	Hiro et al.		D450,250 S	11/2001	Burleson et al.	
D375,684 S	11/1996	Hope		D457,066 S	5/2002	Weick	
D382,806 S	8/1997	Wilson et al.		D458,543 S	6/2002	Burleson et al.	
D384,888 S	10/1997	Diekhoff		D462,272 S	9/2002	Bajjnath et al.	
D386,085 S	11/1997	Green		D465,149 S	11/2002	Bennett et al.	
5,718,352 A *	2/1998	Diekhoff et al.	220/669	D472,459 S	4/2003	Stadermann et al.	
5,778,723 A	7/1998	Diekhoff		D487,017 S	2/2004	Kurumada et al.	
5,822,843 A	10/1998	Diekhoff et al.		D488,719 S	4/2004	Evans et al.	
D406,527 S *	3/1999	Anderson et al.	D9/523	D493,368 S	7/2004	Goda	
D407,632 S	4/1999	Kunesh		D515,424 S *	2/2006	Lora	D9/503
D415,031 S	10/1999	Mahlmann		D521,869 S *	5/2006	Lora	D9/503
D415,964 S	11/1999	Manderfield, Jr. et al.					

* cited by examiner

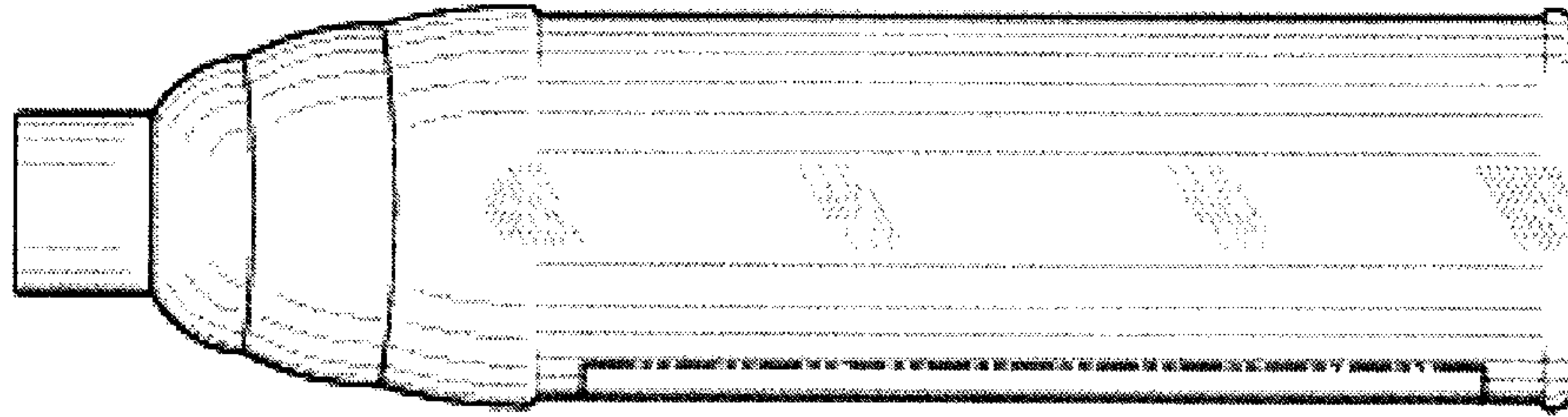


FIG. 3

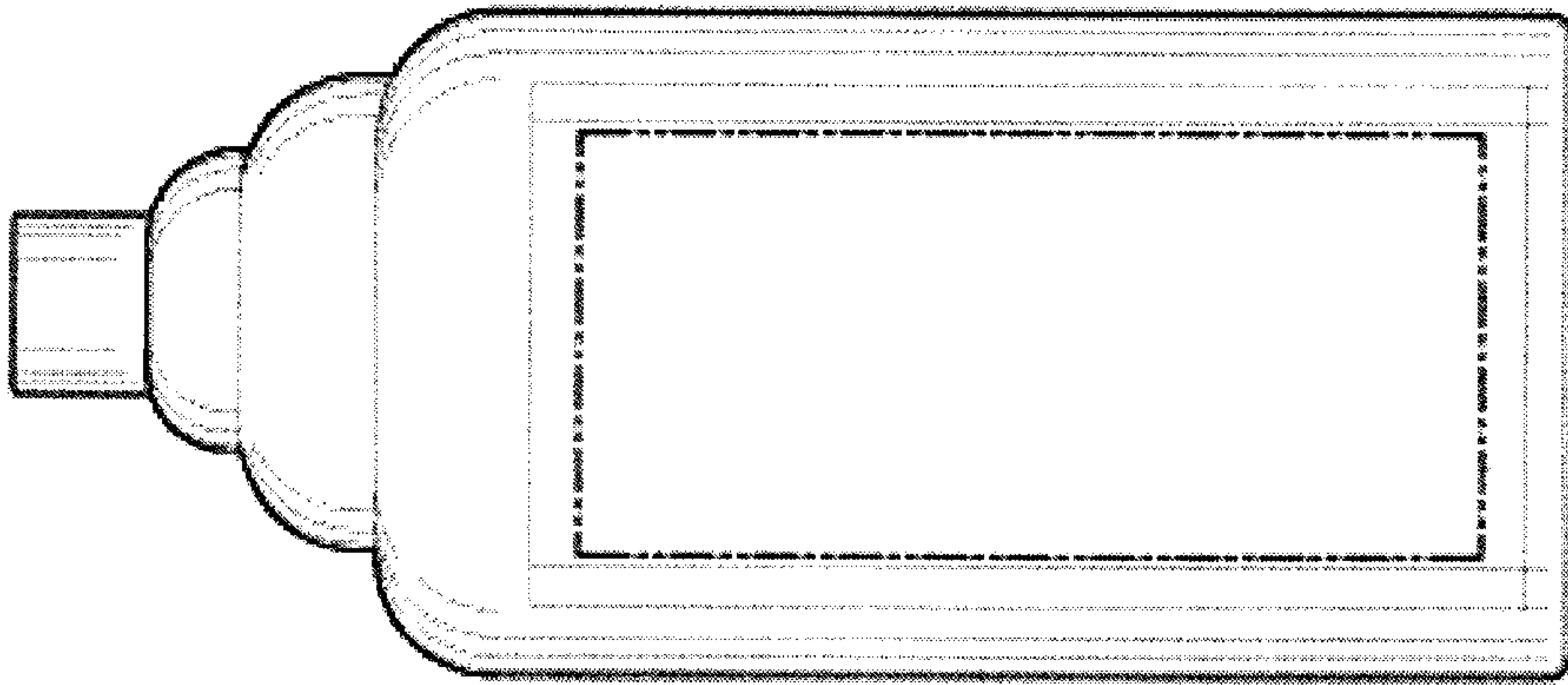


FIG. 1

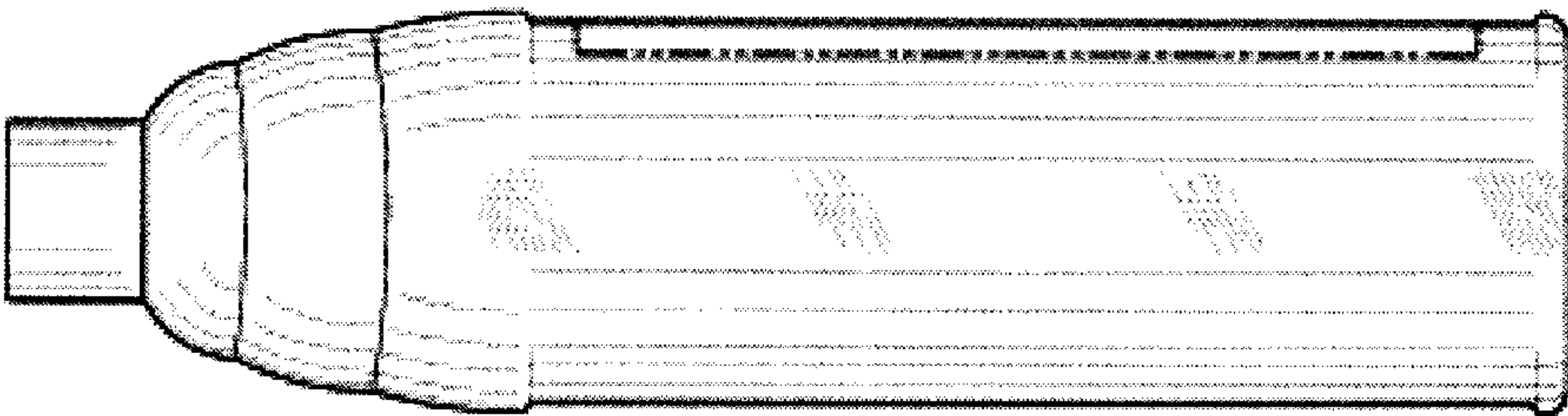


FIG. 2

FIG. 5

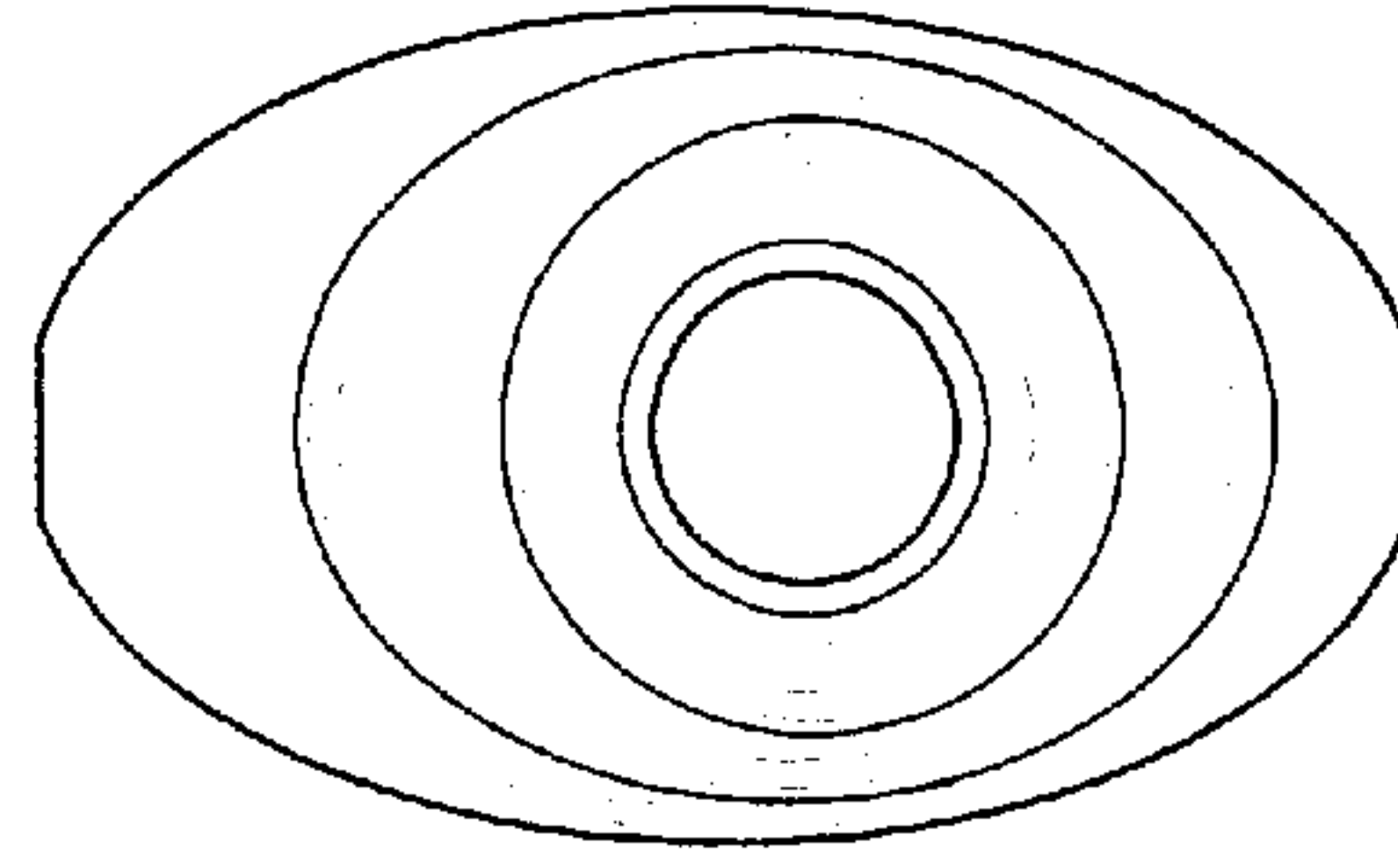


FIG. 4

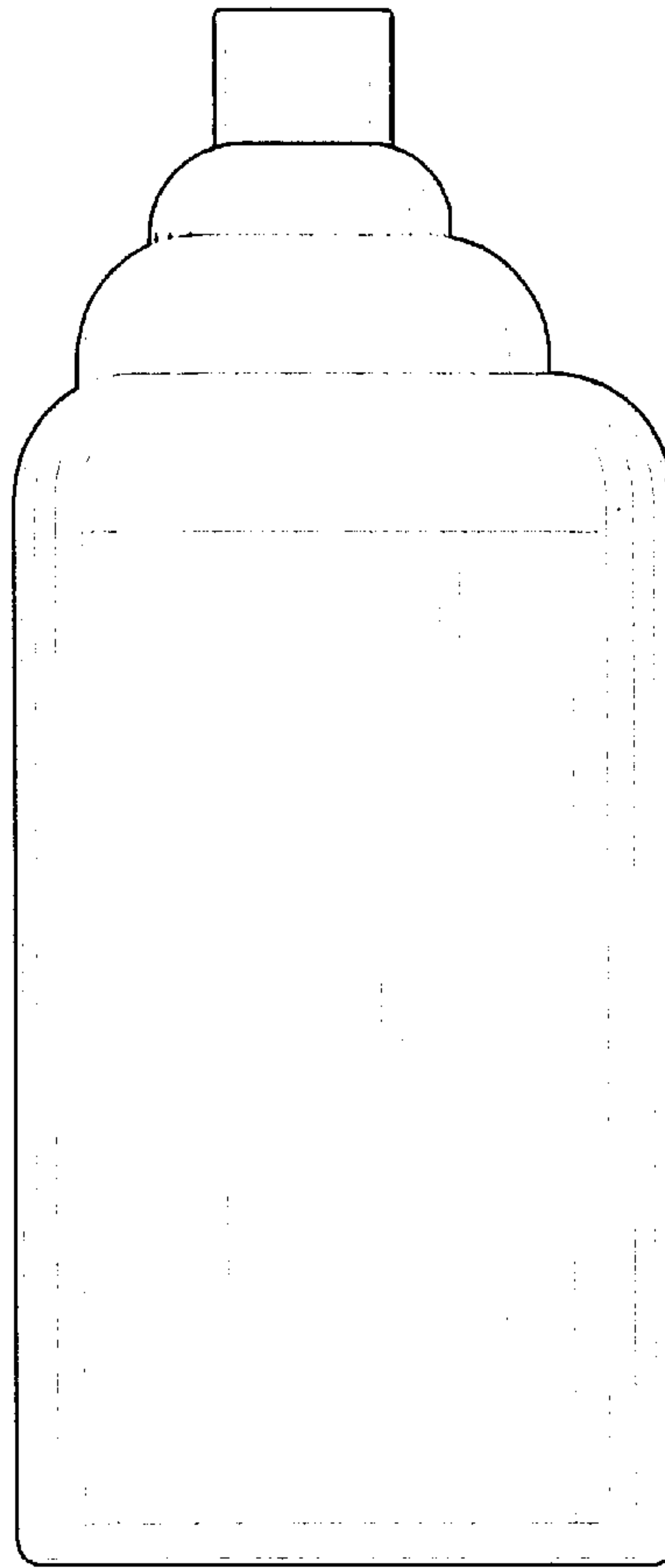


FIG. 6

