



US00D543462S

(12) **United States Design Patent**  
**Pedmo et al.**

(10) **Patent No.:** **US D543,462 S**

(45) **Date of Patent:** **\*\* May 29, 2007**

(54) **PLASTIC CONTAINER**

(75) Inventors: **Marc A. Pedmo**, Brunswick, OH (US);  
**Richard C. Darr**, Medina, OH (US);  
**Christopher E. Kaminski**, North  
Royalton, OH (US)

(73) Assignee: **Plastipak Packaging, Inc.**, Plymouth,  
MI (US)

(\*\*) Term: **14 Years**

(21) Appl. No.: **29/235,870**

(22) Filed: **Aug. 8, 2005**

(51) **LOC (8) Cl.** ..... **09-01**

(52) **U.S. Cl.** ..... **D9/520; D9/557**

(58) **Field of Classification Search** ..... D9/500,  
D9/502-504, 516, 520, 529, 549-552, 557-558;  
215/379-382; 220/660-663, 669-671  
See application file for complete search history.

(56) **References Cited**

U.S. PATENT DOCUMENTS

D301,203 S *	5/1989	Jolly et al. ....	D9/500
D363,026 S *	10/1995	Sillince et al. ....	D9/500
D364,347 S *	11/1995	Sillince et al. ....	D9/500
D374,176 S *	10/1996	Sillince et al. ....	D9/719
D422,490 S *	4/2000	Nemeth et al. ....	D9/649
D450,243 S *	11/2001	Toms et al. ....	D9/502
D450,589 S *	11/2001	Haake et al. ....	D9/502
D472,811 S *	4/2003	Deubel et al. ....	D9/502
D476,896 S *	7/2003	Cheng et al. ....	D9/520

D477,533 S *	7/2003	Kornick et al. ....	D9/500
D477,534 S *	7/2003	Kornick et al. ....	D9/500
6,585,123 B1	7/2003	Pedmo et al.	
6,634,517 B2 *	10/2003	Cheng et al. ....	215/373
D489,983 S *	5/2004	Futral et al. ....	D9/500
D504,321 S	4/2005	Slat et al.	
D508,651 S *	8/2005	Harrell et al. ....	D9/531
2004/0173565 A1 *	9/2004	Semersky et al. ....	215/382

FOREIGN PATENT DOCUMENTS

WO DM/062281 \* 12/2002

\* cited by examiner

*Primary Examiner*—Ian Simmons

*Assistant Examiner*—Dana Sipos

(74) *Attorney, Agent, or Firm*—Robert H. Bachman

(57) **CLAIM**

The ornamental design for a plastic container, as shown and described.

**DESCRIPTION**

FIG. 1 is a top, front perspective view of a plastic container of the present invention;

FIG. 2 is a rear elevational view thereof;

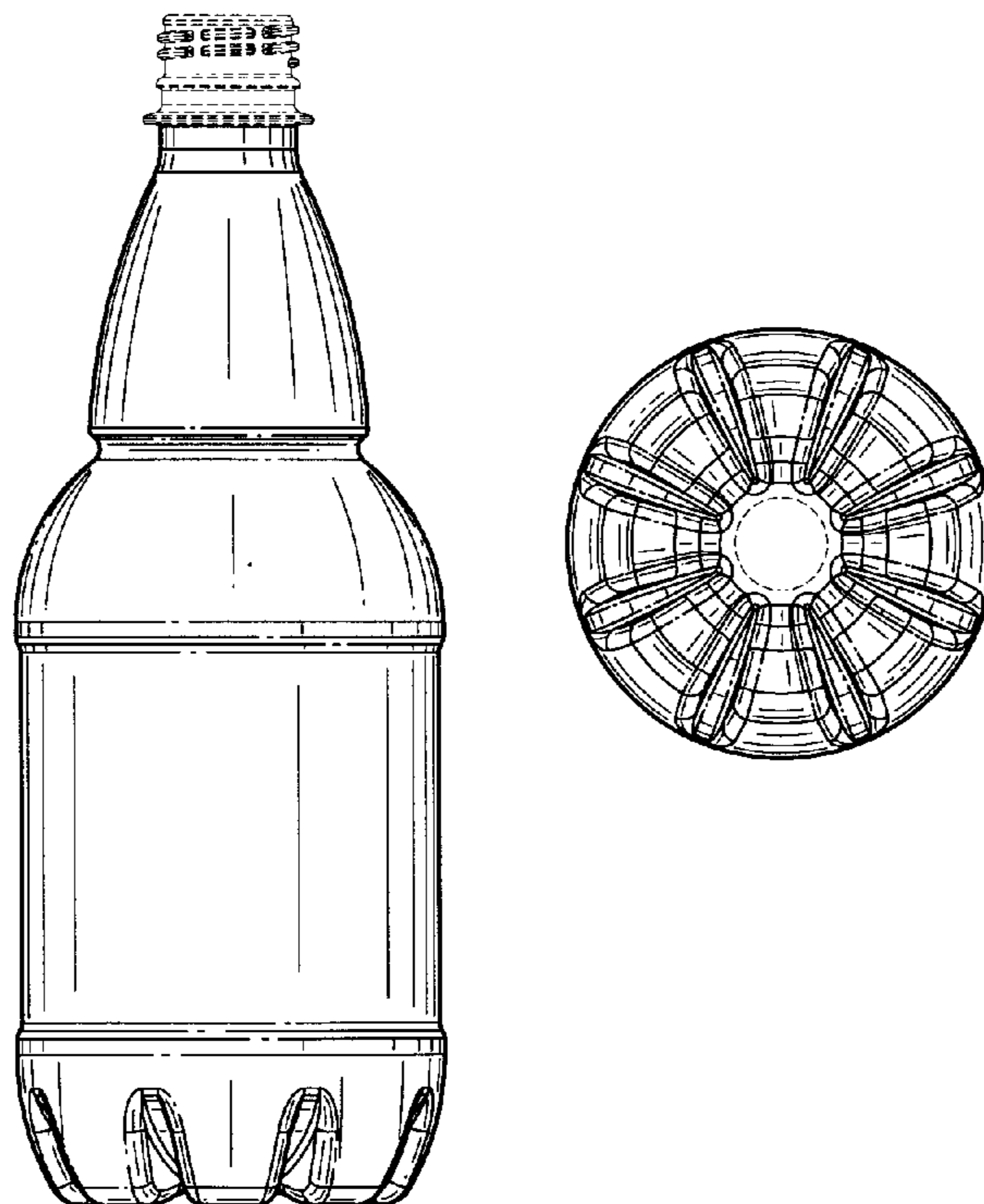
FIG. 3 is a bottom, front and side perspective view thereof;

FIG. 4 is a top plan view thereof; and,

FIG. 5 is a bottom plan view thereof.

The broken lines in the drawings depict probable environment only, and form no part of the claimed design.

**1 Claim, 1 Drawing Sheet**



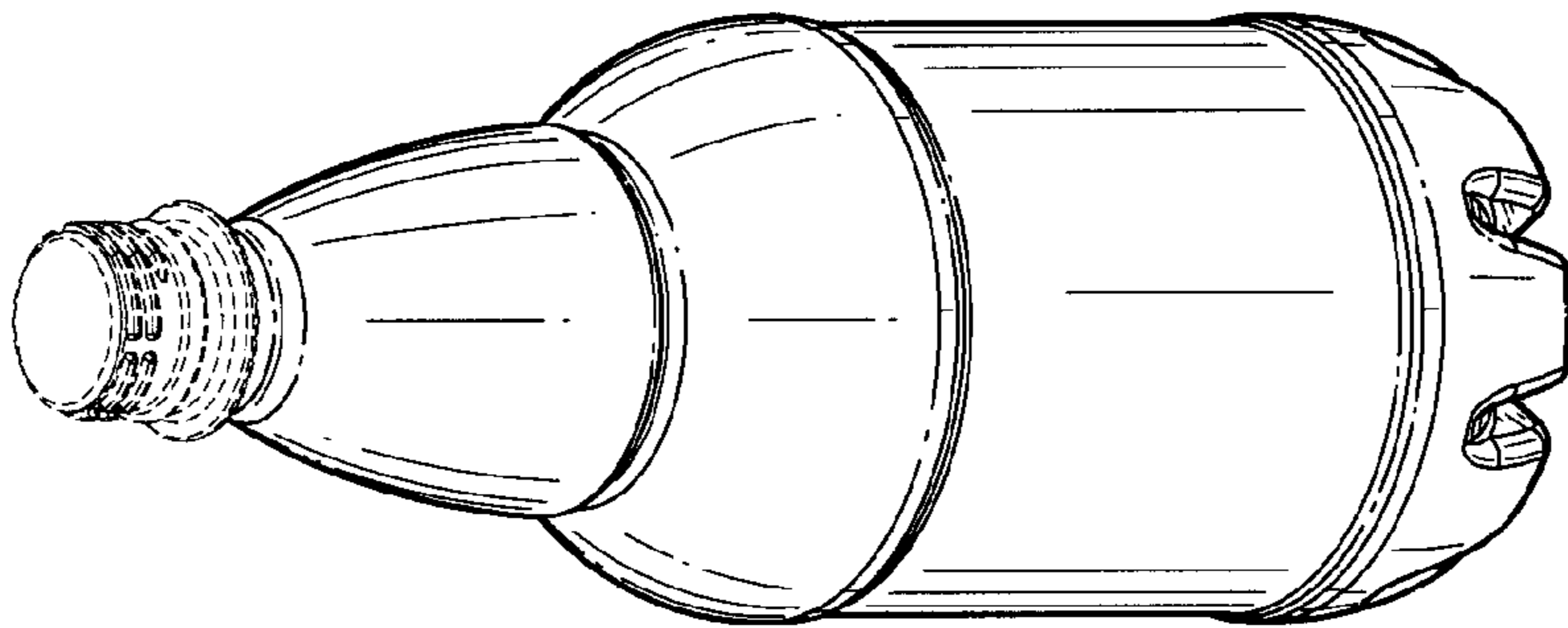


FIG. 1

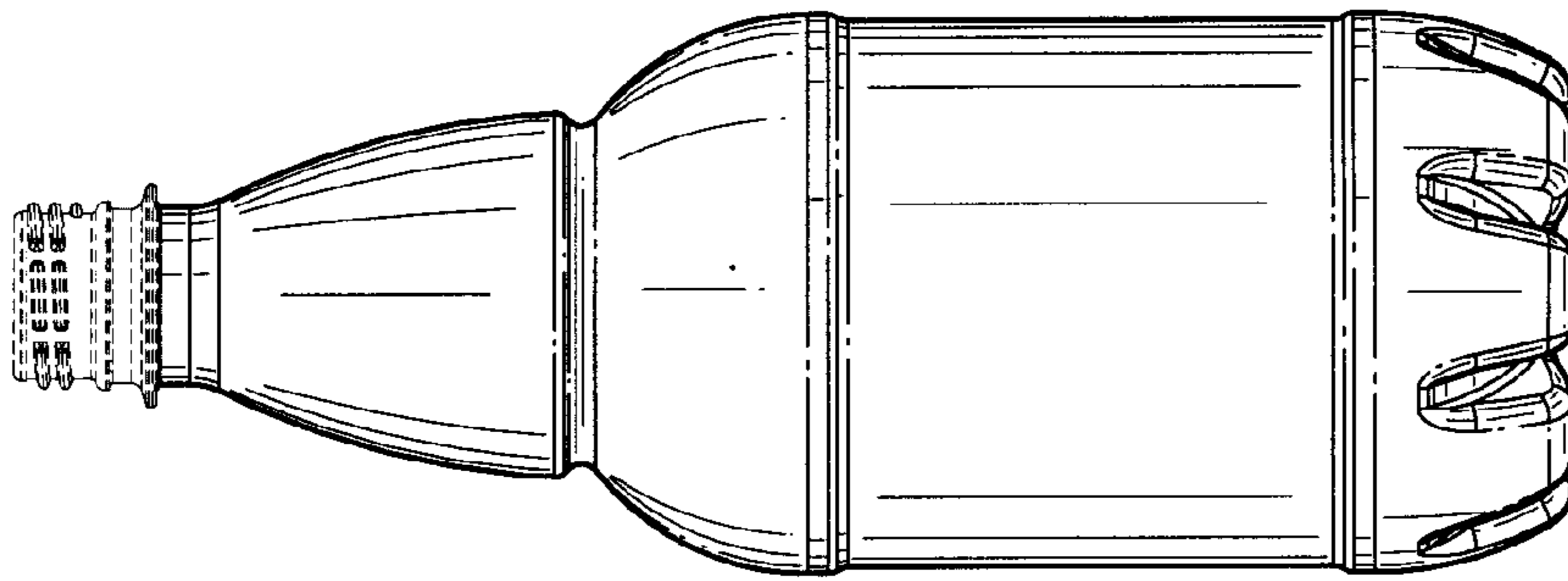


FIG. 2

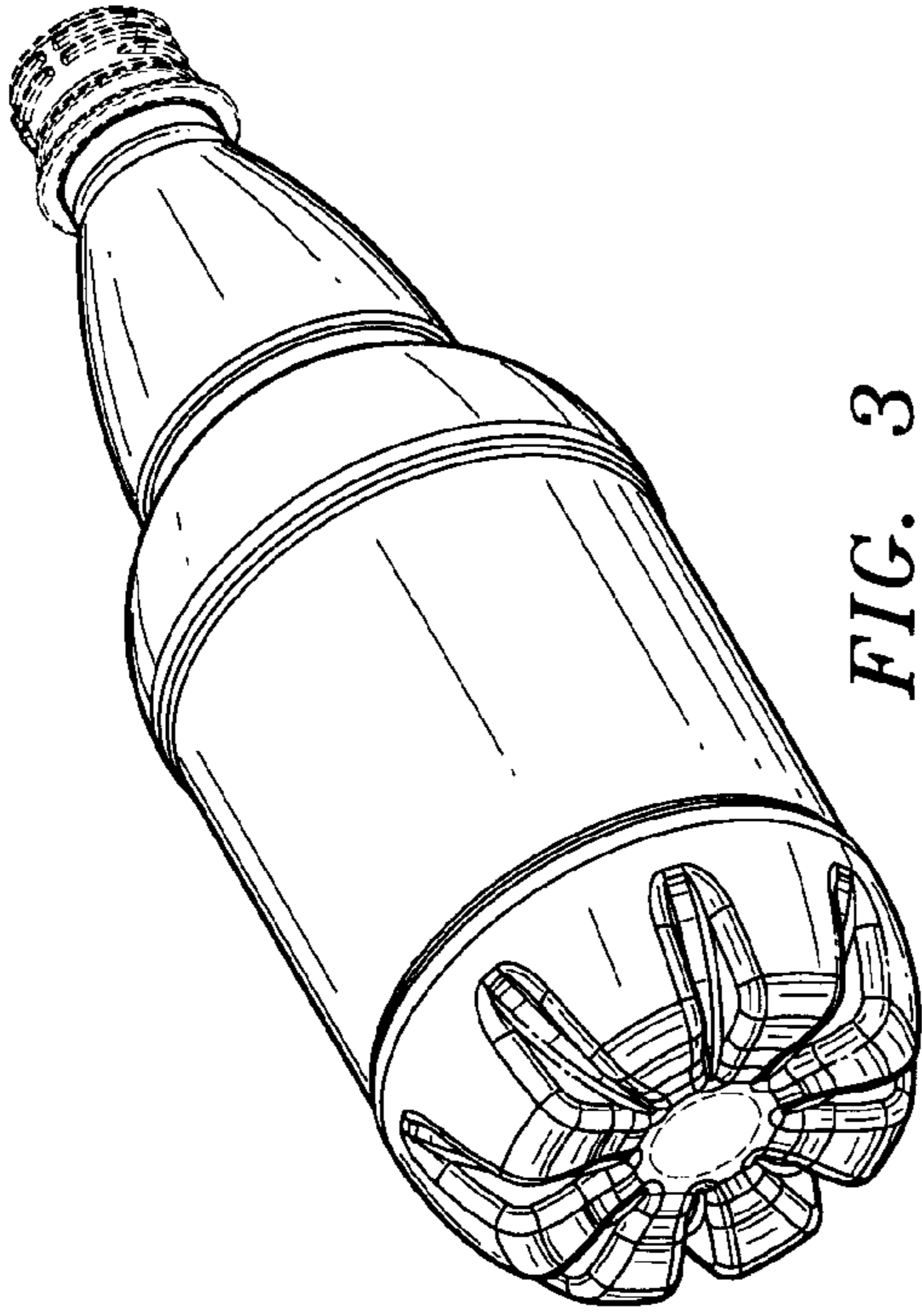


FIG. 3

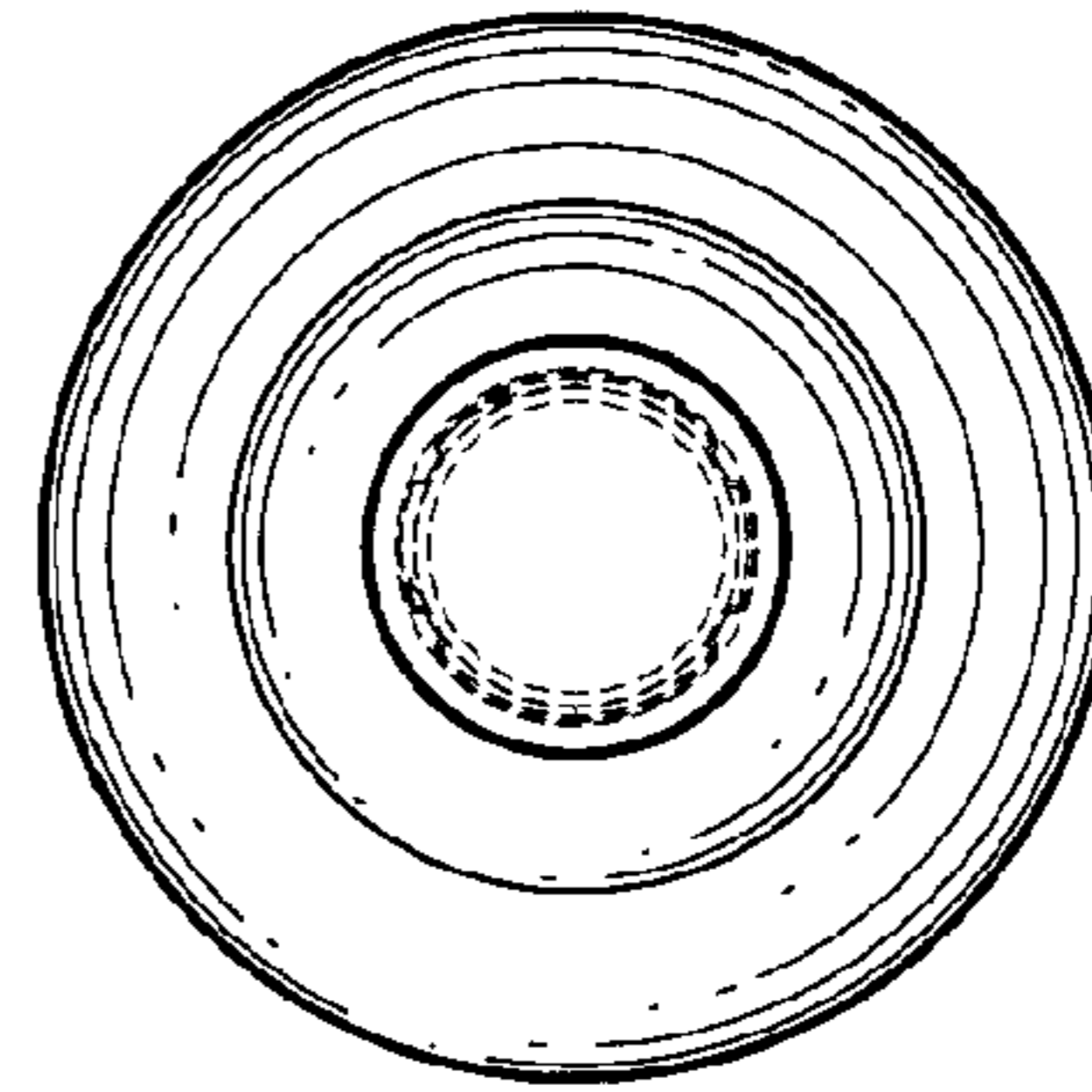


FIG. 4

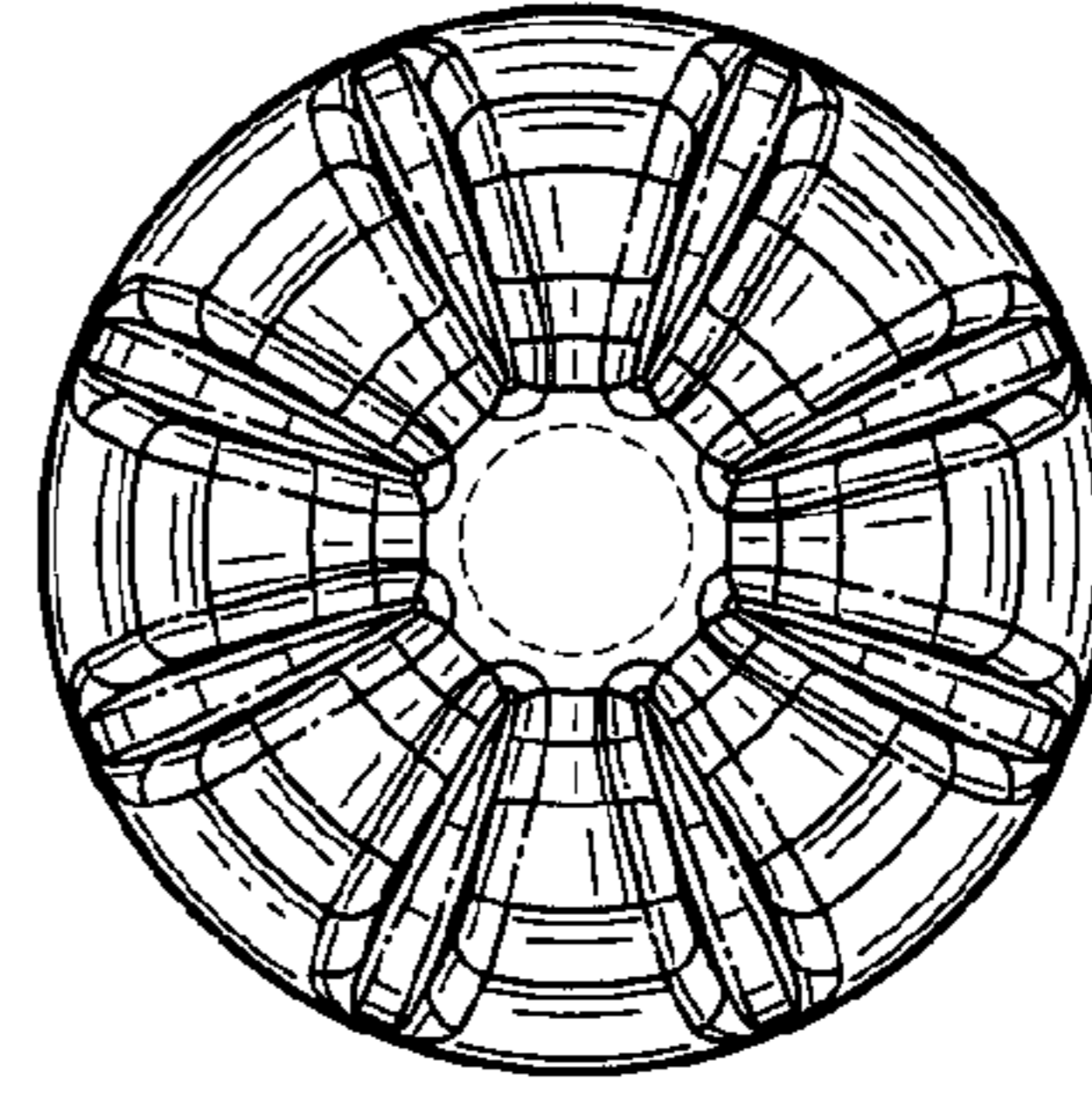


FIG. 5