



US00D543459S

(12) **United States Design Patent**
Konieczny

(10) **Patent No.:** **US D543,459 S**

(45) **Date of Patent:** **** May 29, 2007**

(54) **BEVERAGE BOTTLE**

(76) **Inventor:** **Ryszard Konieczny**, 29 Wilson Pl.,
Lindenhurst, NY (US) 11757

(**) **Term:** **14 Years**

(21) **Appl. No.:** **29/254,416**

(22) **Filed:** **Feb. 23, 2006**

(51) **LOC (8) Cl.** **09-01**

(52) **U.S. Cl.** **D9/505; D9/439; D9/551**

(58) **Field of Classification Search** D9/439,
D9/500, 502–503, 505, 516, 544, 545, 549,
D9/551, 558, 682, 686, 688–692, 600, 716,
D9/719, 900; 215/379–380; 220/660–663
See application file for complete search history.

(56) **References Cited**

U.S. PATENT DOCUMENTS

D23,381 S	*	6/1894	Tatum	D9/545
D33,986 S	*	1/1901	Clark	D9/545
D36,480 S	*	8/1903	Gordon	D9/500
D82,992 S	*	1/1931	Jones	D9/505
D117,266 S	*	10/1939	Gerhart	D9/500
D124,880 S	*	1/1941	Teunisz	D9/500
2,774,501 A	*	12/1956	Robb	215/364
D184,391 S	*	2/1959	Du Pree	D9/632
D186,413 S	*	10/1959	Vullemenot	D9/542
D213,690 S	*	4/1969	Eckstrom	D3/207
D231,685 S	*	5/1974	Beckman	D7/317
D237,926 S	*	12/1975	Katzander	D6/529
D358,985 S	*	6/1995	Rubin	D9/741
D359,688 S	*	6/1995	Rosen	D9/504
D380,677 S	*	7/1997	Joergensen	D9/439
D386,412 S	*	11/1997	Heinz	D9/500
D404,647 S	*	1/1999	Federighi	D9/439
D414,811 S	*	10/1999	Base et al.	D9/503

D474,406 S	*	5/2003	Kaposi	D9/505
D484,055 S	*	12/2003	Feigenbaum	D9/500
D485,885 S	*	1/2004	Bonelli et al.	D23/207
D520,571 S	*	5/2006	Seelig et al.	D21/369

* cited by examiner

Primary Examiner—Ian Simmons

Assistant Examiner—Dana Sipos

(74) *Attorney, Agent, or Firm*—Steven Horowitz

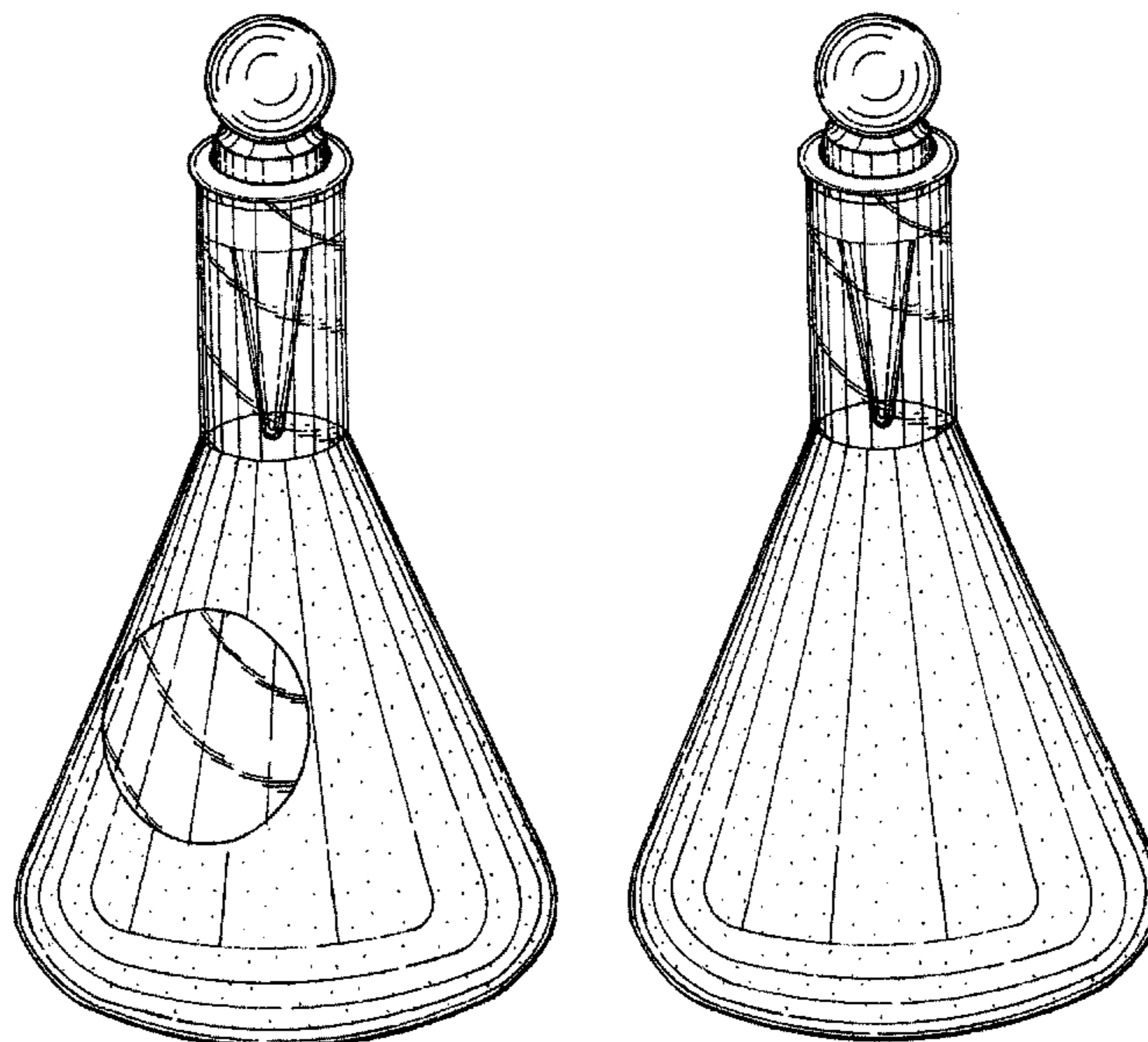
(57) **CLAIM**

The ornamental design for a beverage bottle, as shown and described.

DESCRIPTION

FIG. 1 is a perspective view of a beverage bottle of the present invention showing my new design;
 FIG. 2 is a top view thereof;
 FIG. 3 is a bottom view thereof;
 FIG. 4 is a left side view thereof, the right side view being identical thereto;
 FIG. 5 is a front view thereof;
 FIG. 6 is a rear view thereof;
 FIG. 7 is a perspective view of a second embodiment of a beverage bottle showing my new design;
 FIG. 8 is a top view of the alternative embodiment shown in FIG. 7;
 FIG. 9 is a bottom view of the alternative embodiment shown in FIG. 7;
 FIG. 10 is a left side view of the alternative embodiment shown in FIG. 7, the right side view being identical thereto;
 FIG. 11 is a front view of the alternative embodiment shown in FIG. 7; and,
 FIG. 12 is a rear view of the alternative embodiment shown in FIG. 7.

1 Claim, 4 Drawing Sheets



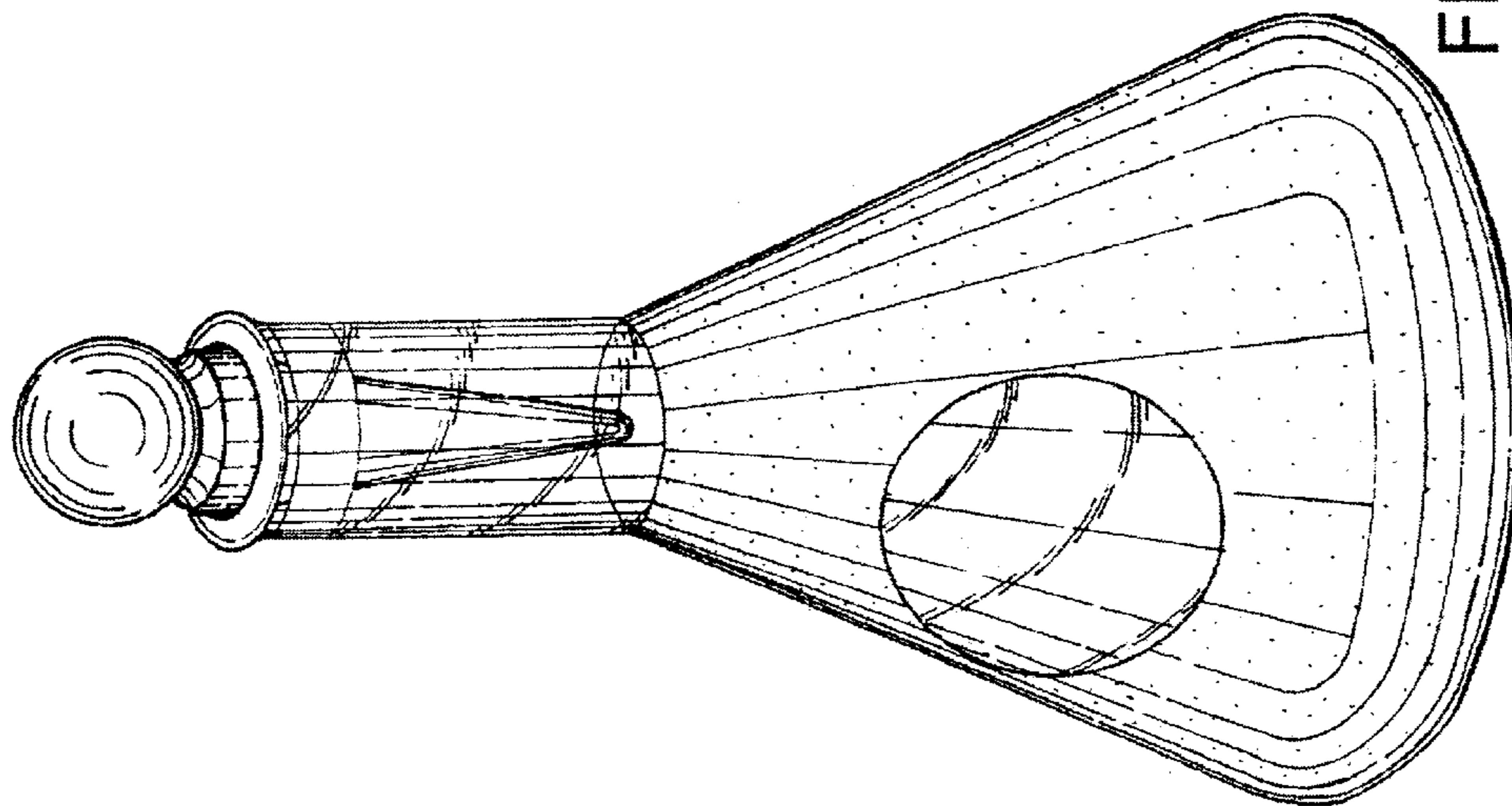


FIG. 1

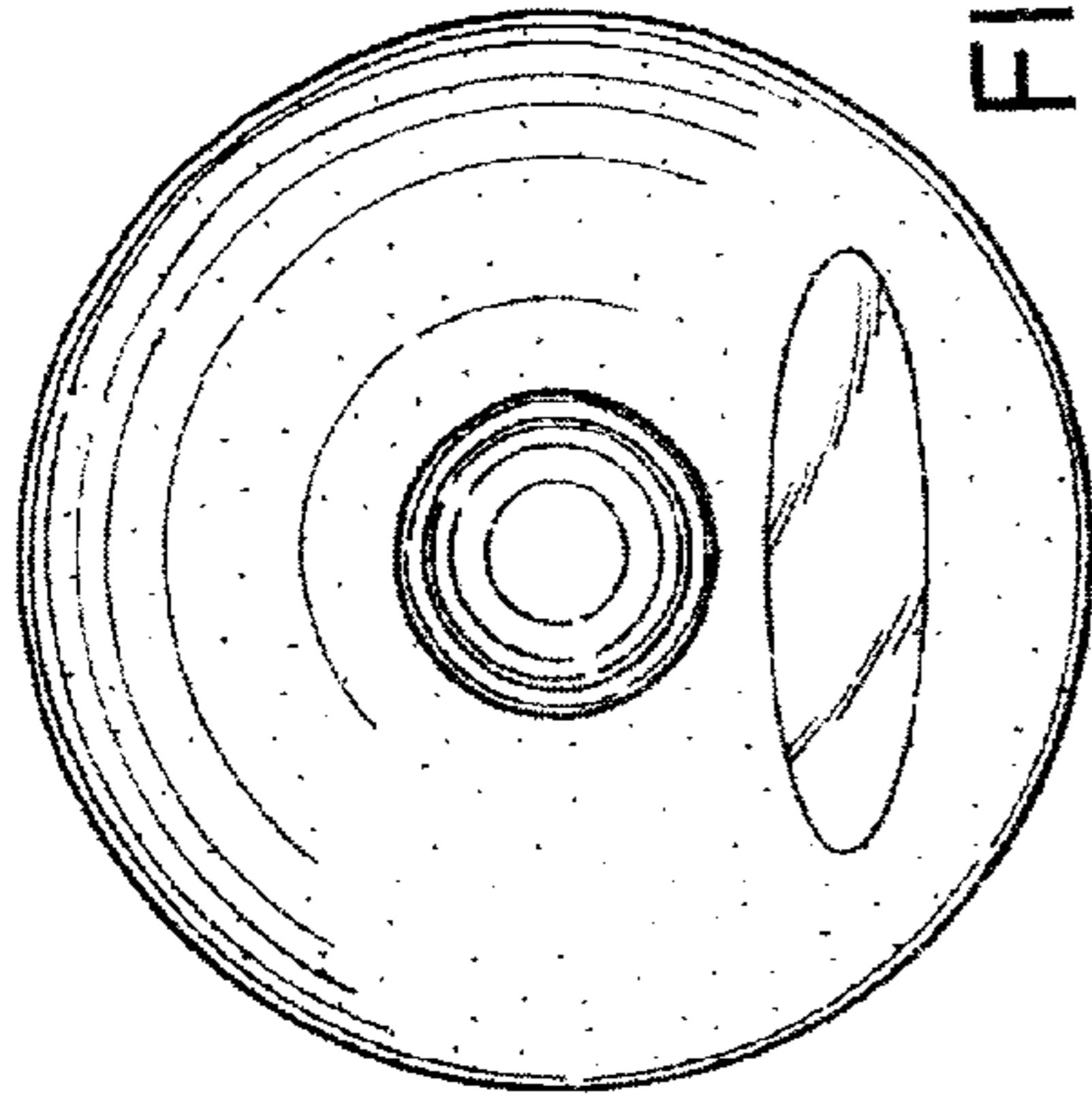


FIG. 2

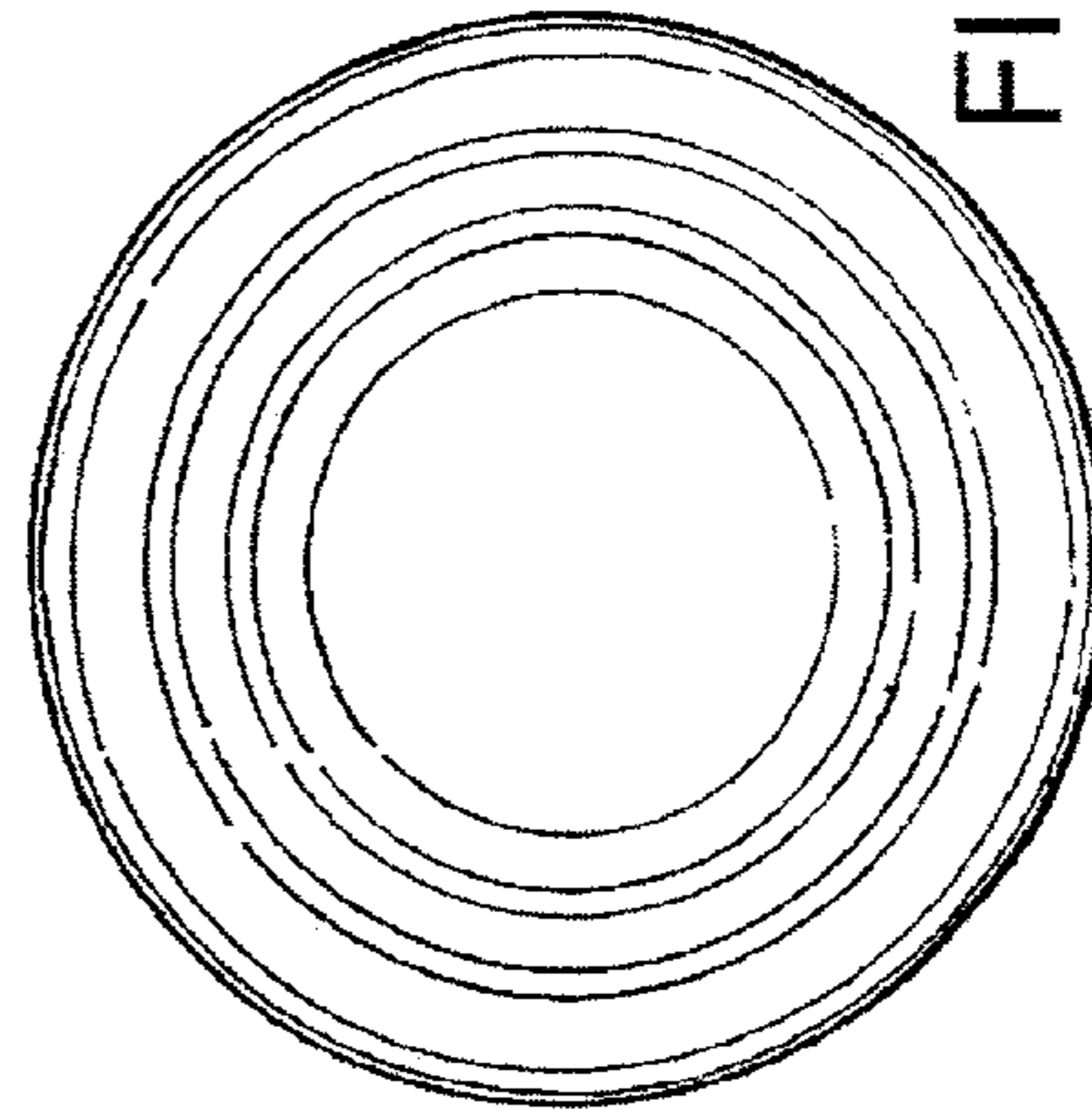


FIG. 3

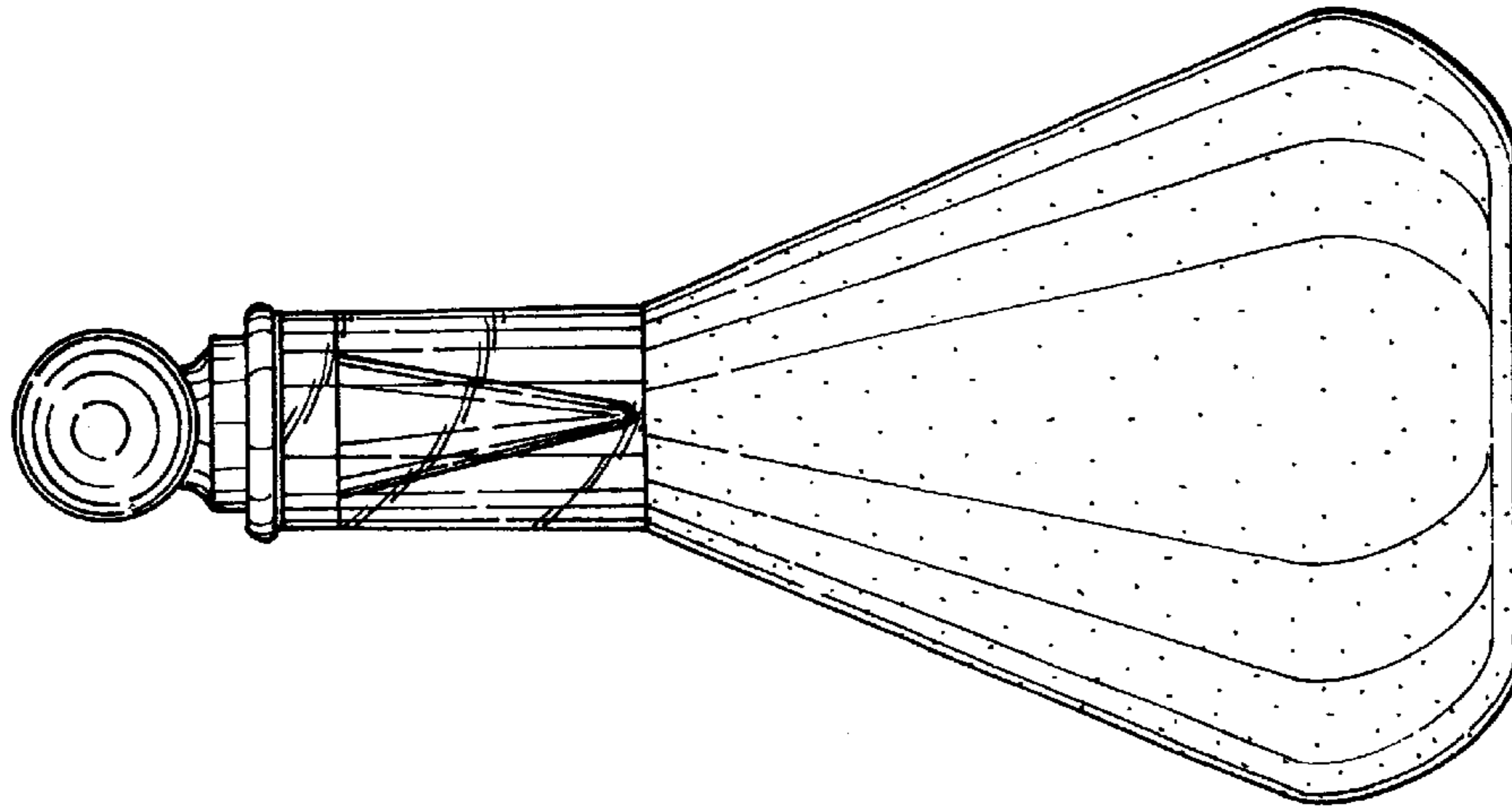


FIG. 6

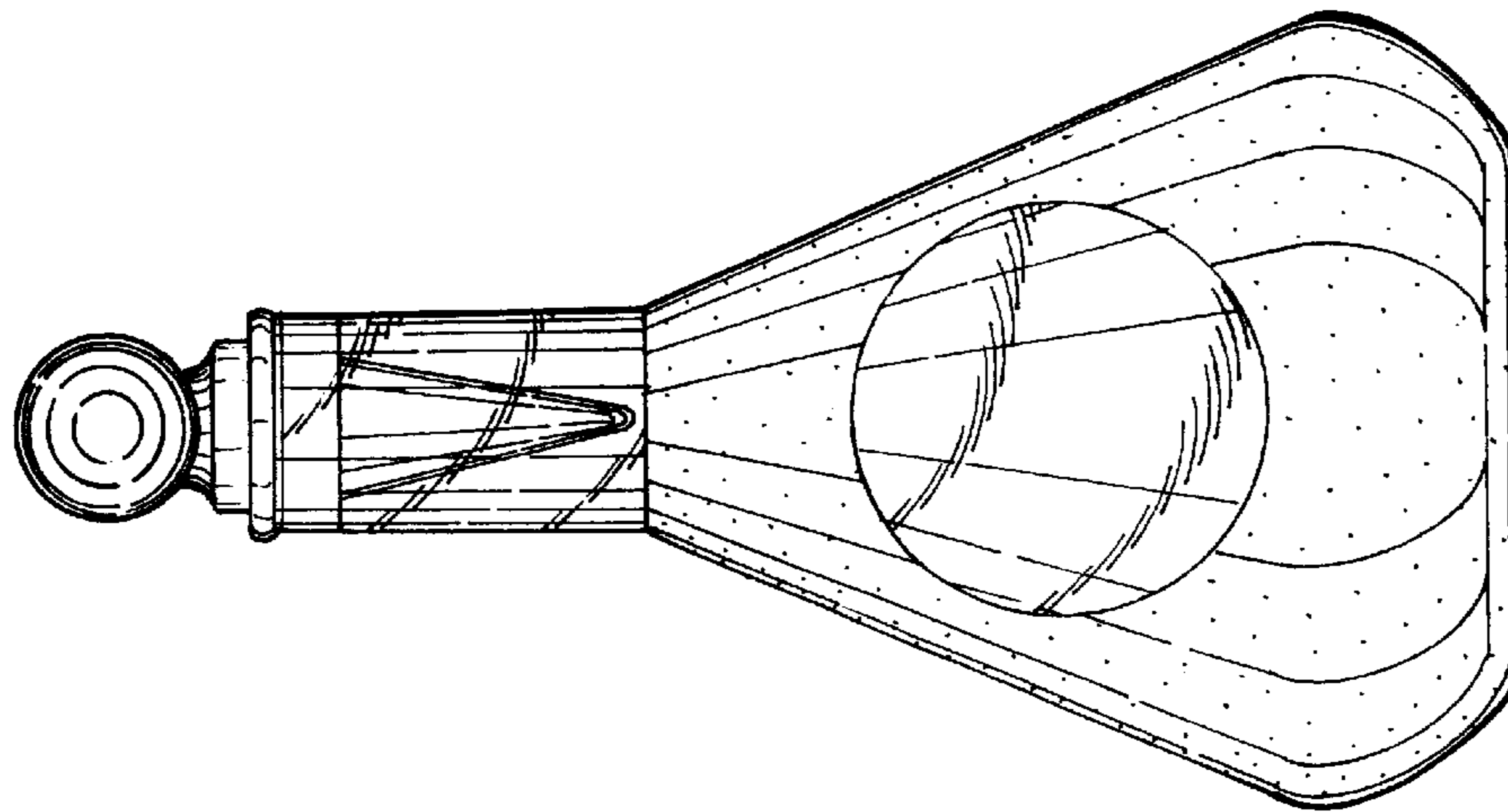


FIG. 5

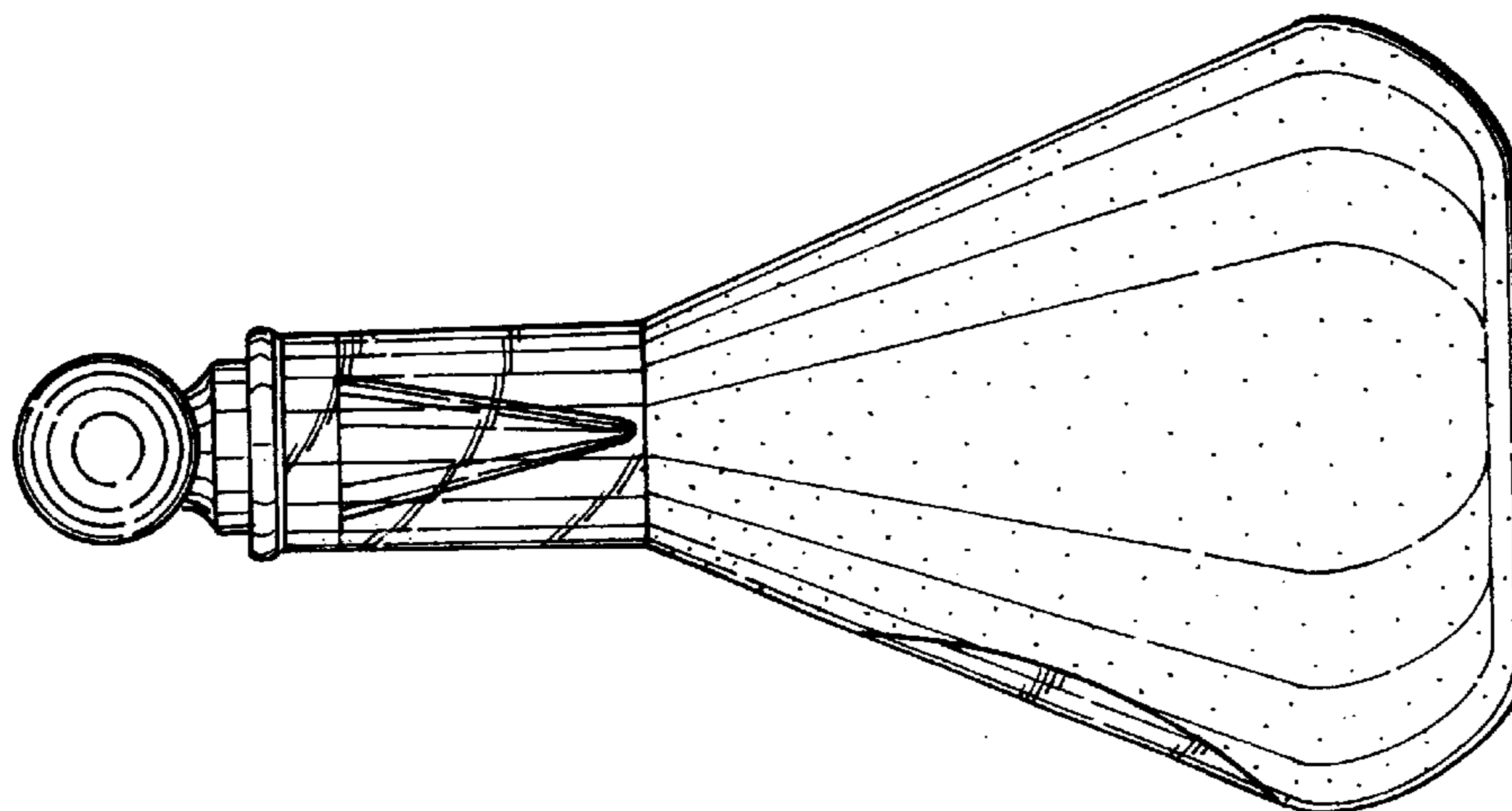


FIG. 4

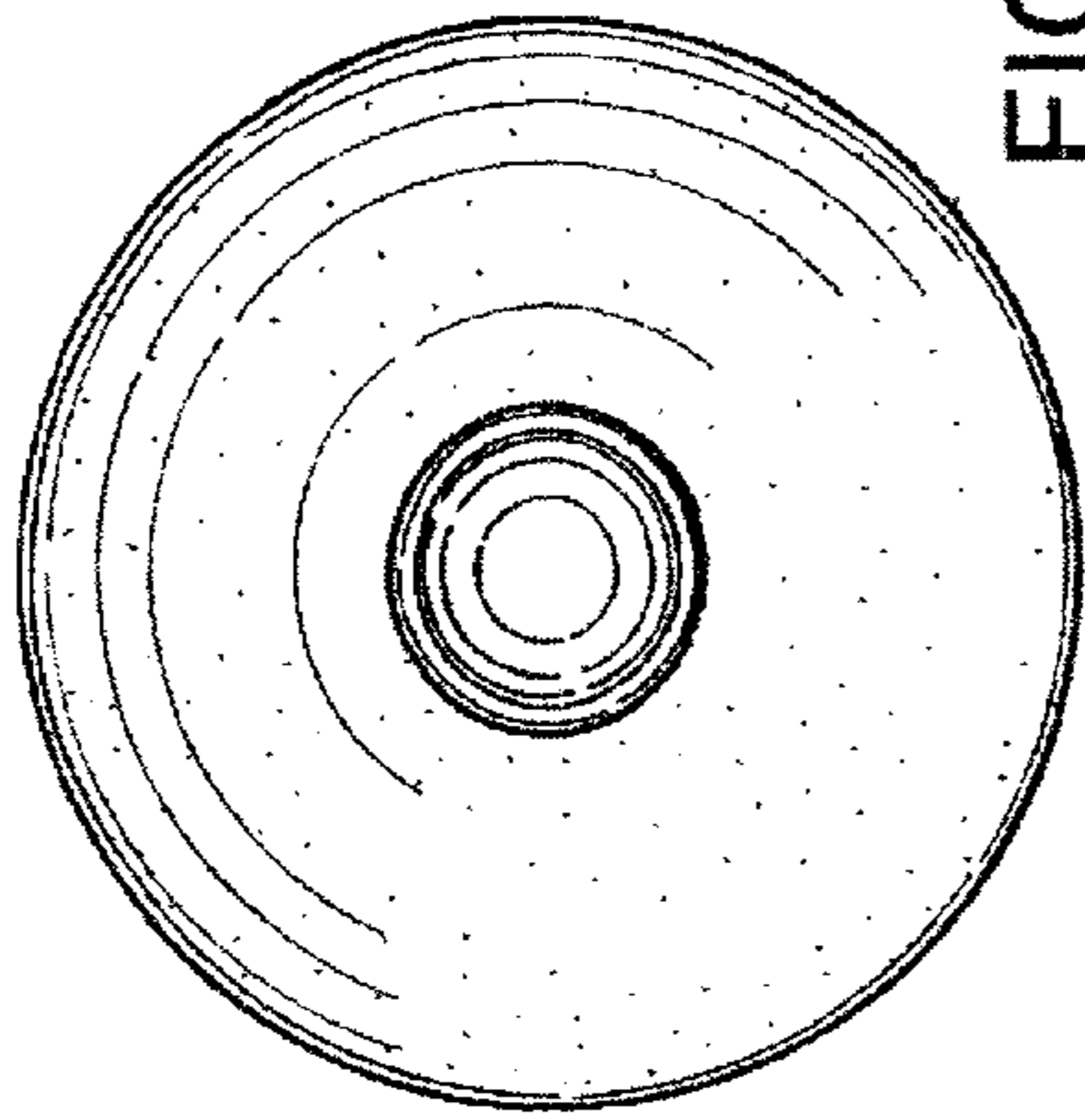


FIG. 8

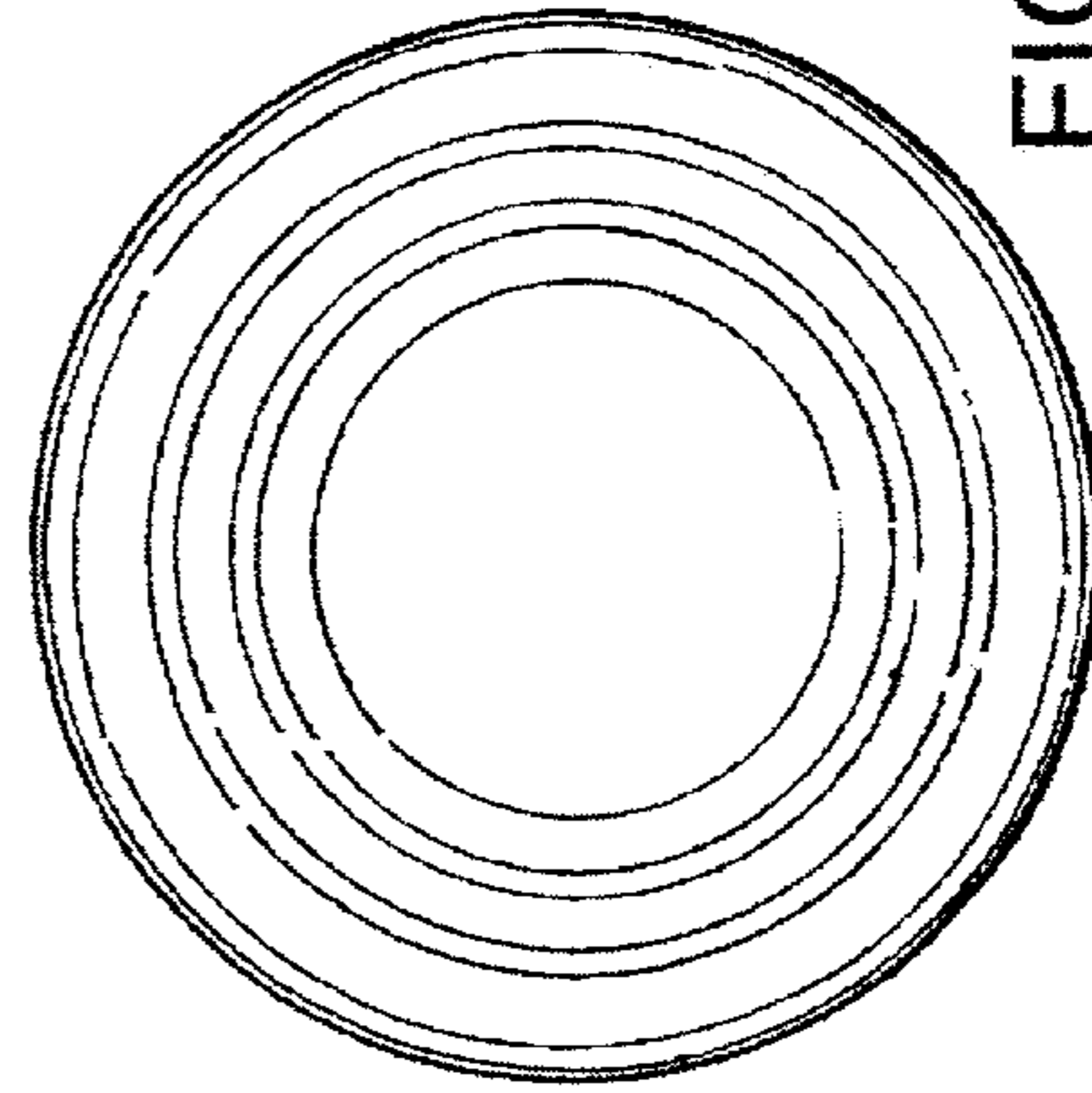


FIG. 9

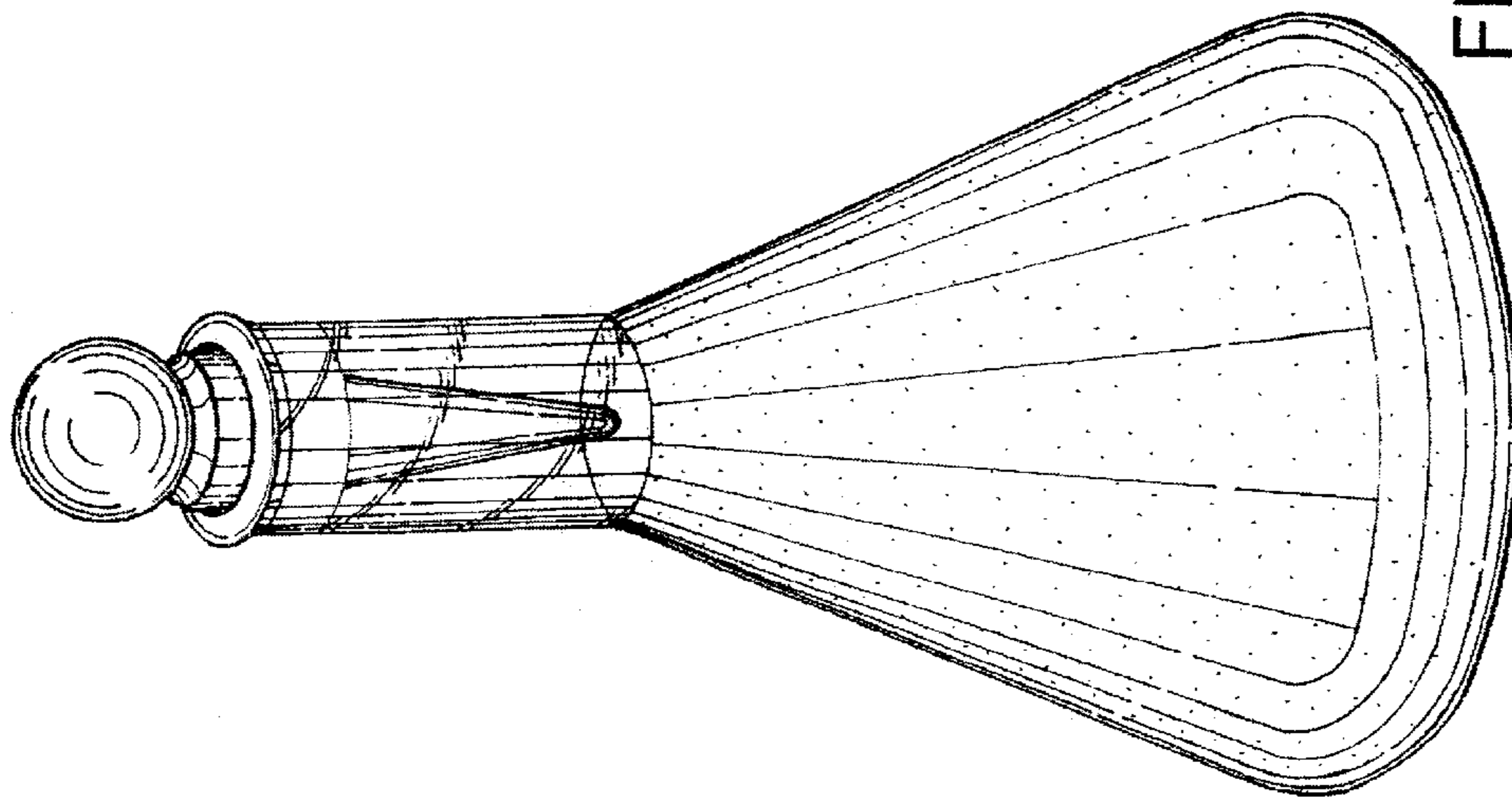


FIG. 7

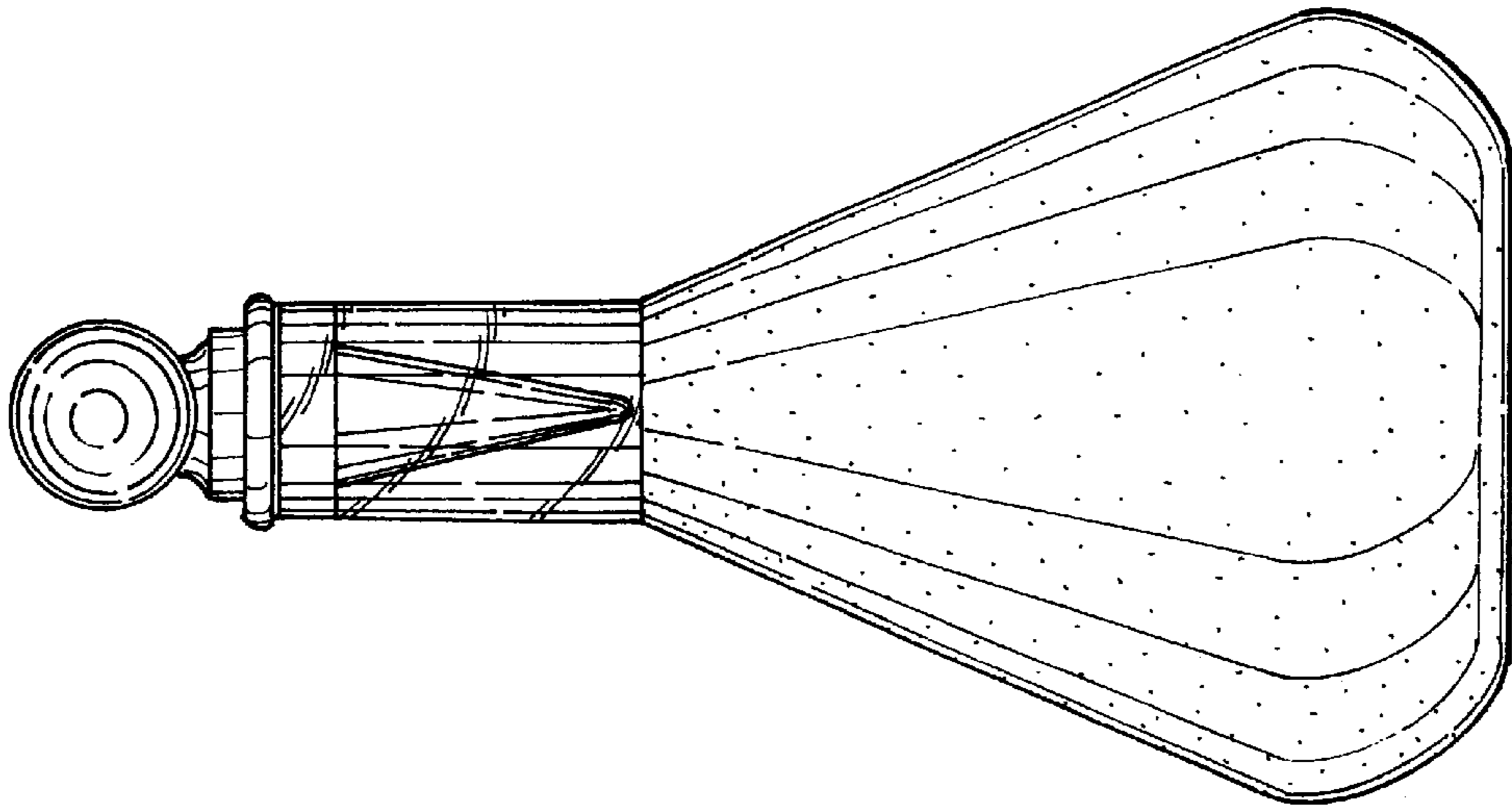


FIG. 10

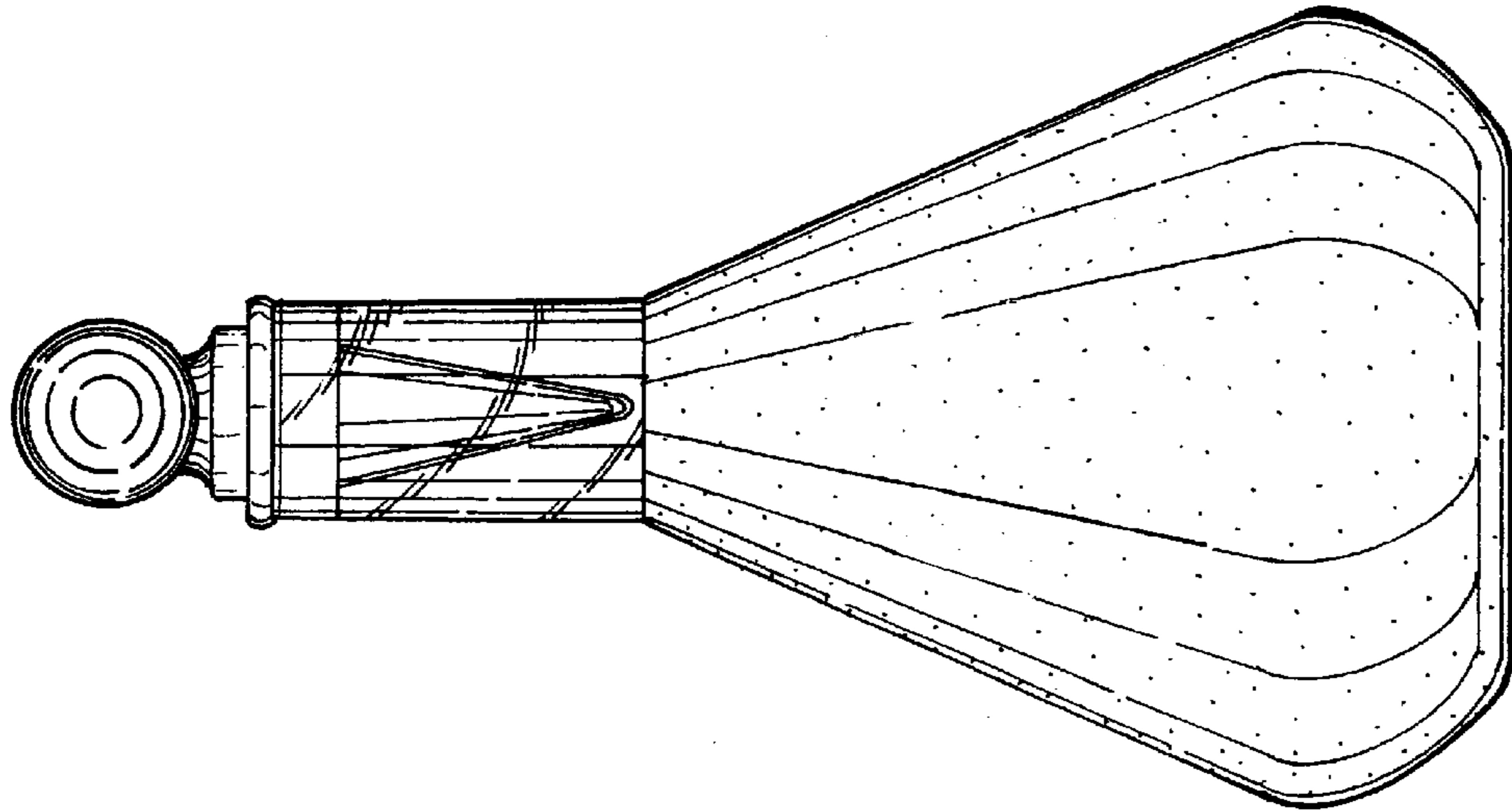


FIG. 11

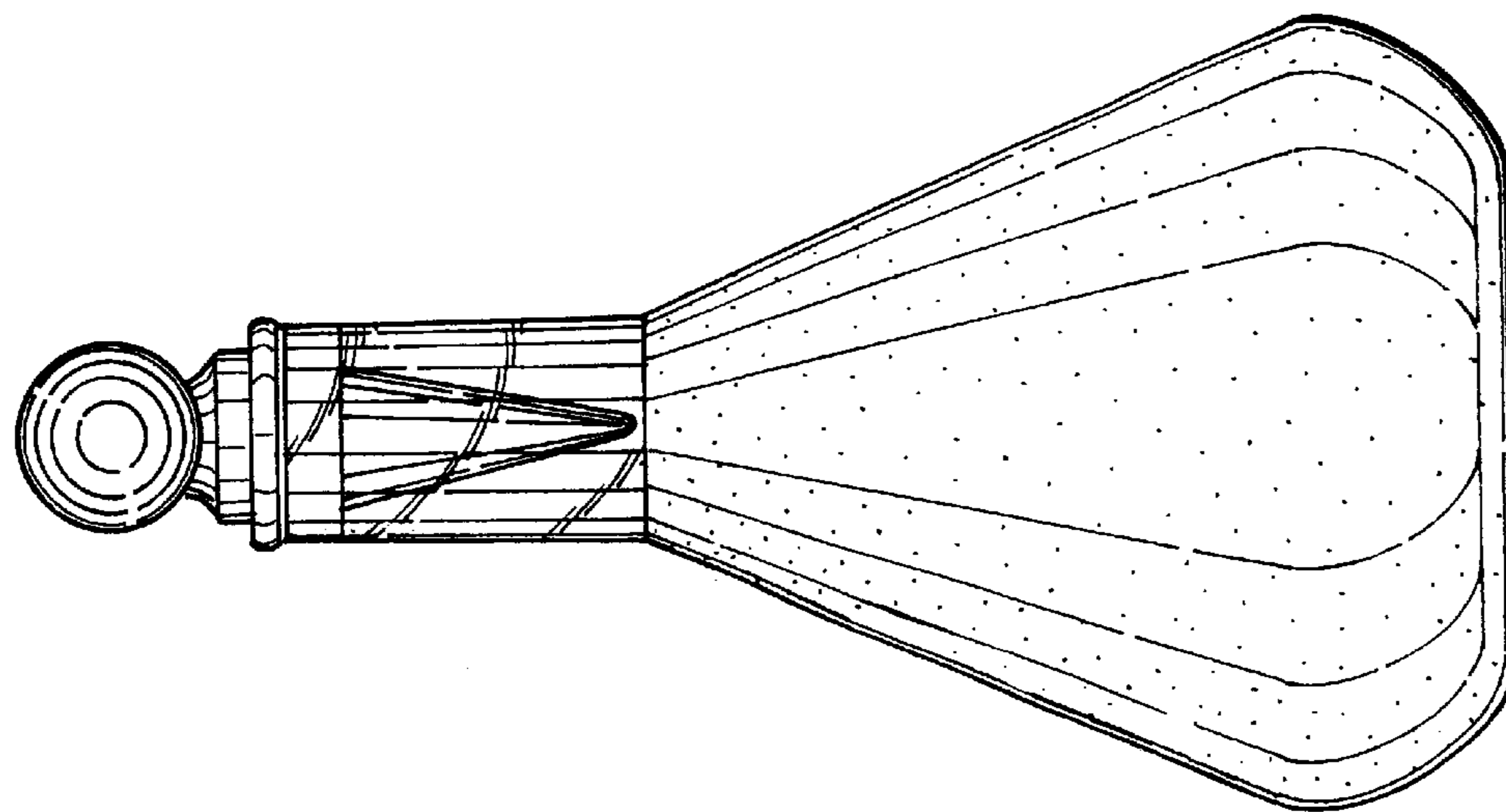


FIG. 12