



US00D543458S

(12) **United States Design Patent** (10) **Patent No.:** **US D543,458 S**  
**Dittmer et al.** (45) **Date of Patent:** **\*\* May 29, 2007**

(54) **CONTAINER**

(75) Inventors: **Jay R. Dittmer**, Ada, MI (US); **Mark K. White**, Grand Rapids, MI (US); **Olivier J. P. van Doorne**, New York, NY (US); **Joe D. Doucet**, New York, NY (US)

(73) Assignee: **Access Business Group International LLC**, Ada, MI (US)

(\*\*) Term: **14 Years**

(21) Appl. No.: **29/245,673**

(22) Filed: **Dec. 28, 2005**

(51) **LOC (8) Cl.** ..... **09-01**

(52) **U.S. Cl.** ..... **D9/504**

(58) **Field of Classification Search** ..... D9/500,  
D9/503-504, 516, 529-530, 537, 539, 549,  
D9/558, 682, 686, 688-691, 723-729; D28/4,  
D28/76, 78, 82; 215/379, 382-384; 220/660,  
220/669-670

See application file for complete search history.

(56) **References Cited**

U.S. PATENT DOCUMENTS

D26,218 S \* 10/1896 Miller ..... D9/504  
3,265,238 A \* 8/1966 Teuber et al. .... 220/281

D303,584 S \* 9/1989 Bakic ..... D28/91  
D314,449 S \* 2/1991 Bakic ..... D28/82  
D350,192 S \* 8/1994 Patel et al. .... D23/369  
D396,329 S \* 7/1998 Litton ..... D28/82  
D398,079 S \* 9/1998 Denison ..... D28/82  
D442,338 S \* 5/2001 Roman ..... D28/82  
D483,671 S \* 12/2003 Pinnavaia ..... D9/500

\* cited by examiner

*Primary Examiner*—Ian Simmons

*Assistant Examiner*—Dana Sipos

(74) *Attorney, Agent, or Firm*—Warner Norcross & Judd LLP

(57) **CLAIM**

The ornamental design for a container, as shown and described.

**DESCRIPTION**

FIG. 1 is a top perspective view of a container embodying the new design;

FIG. 2 is a bottom perspective view thereof;

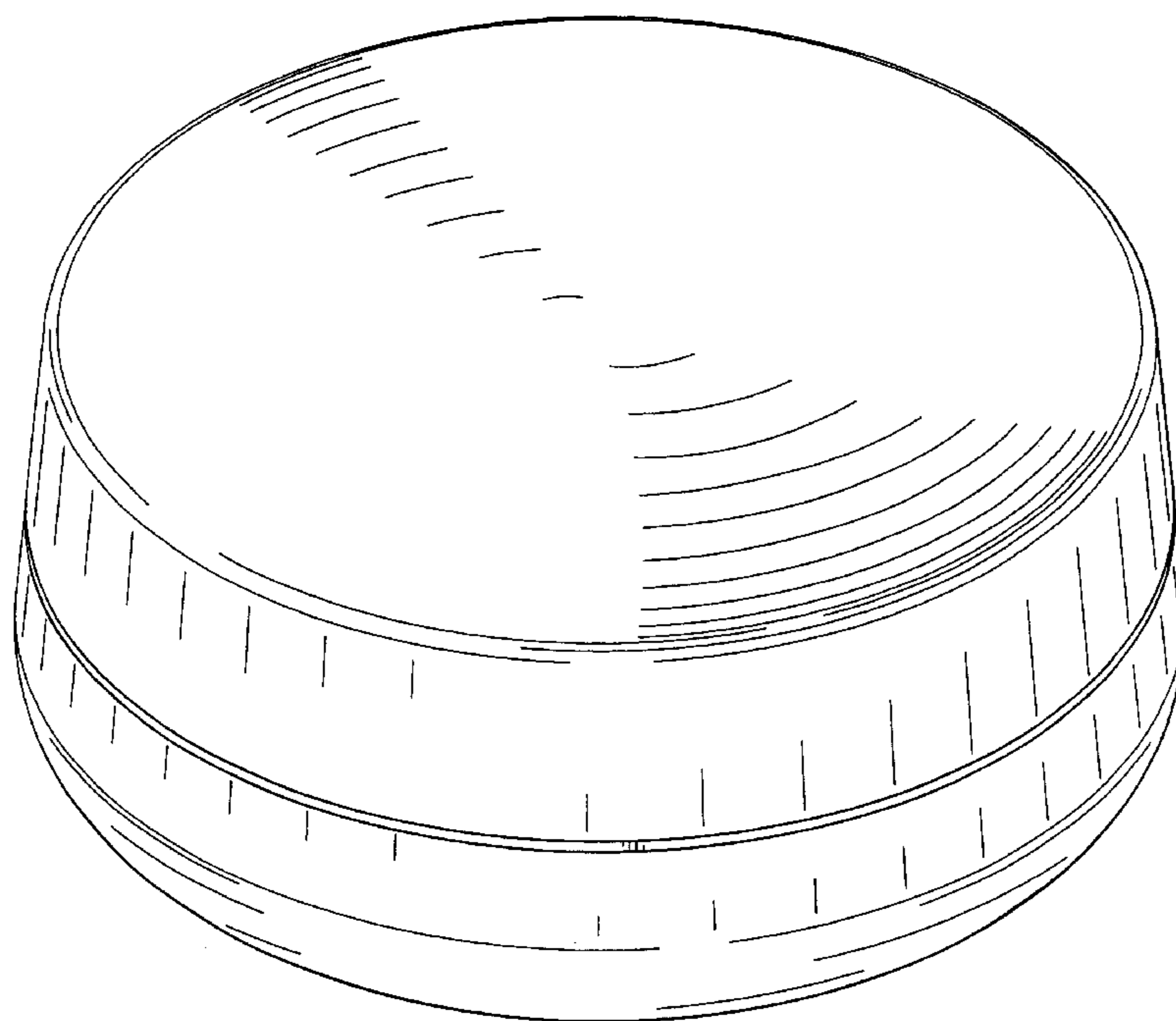
FIG. 3 is a left side elevational view, the right side, front and rear elevational views being identical thereto;

FIG. 4 is a top plan view thereof; and,

FIG. 5 is a bottom plan view thereof.

The broken lines shown in the drawings are for illustrative purposes only and form no part of the claimed design.

**1 Claim, 5 Drawing Sheets**



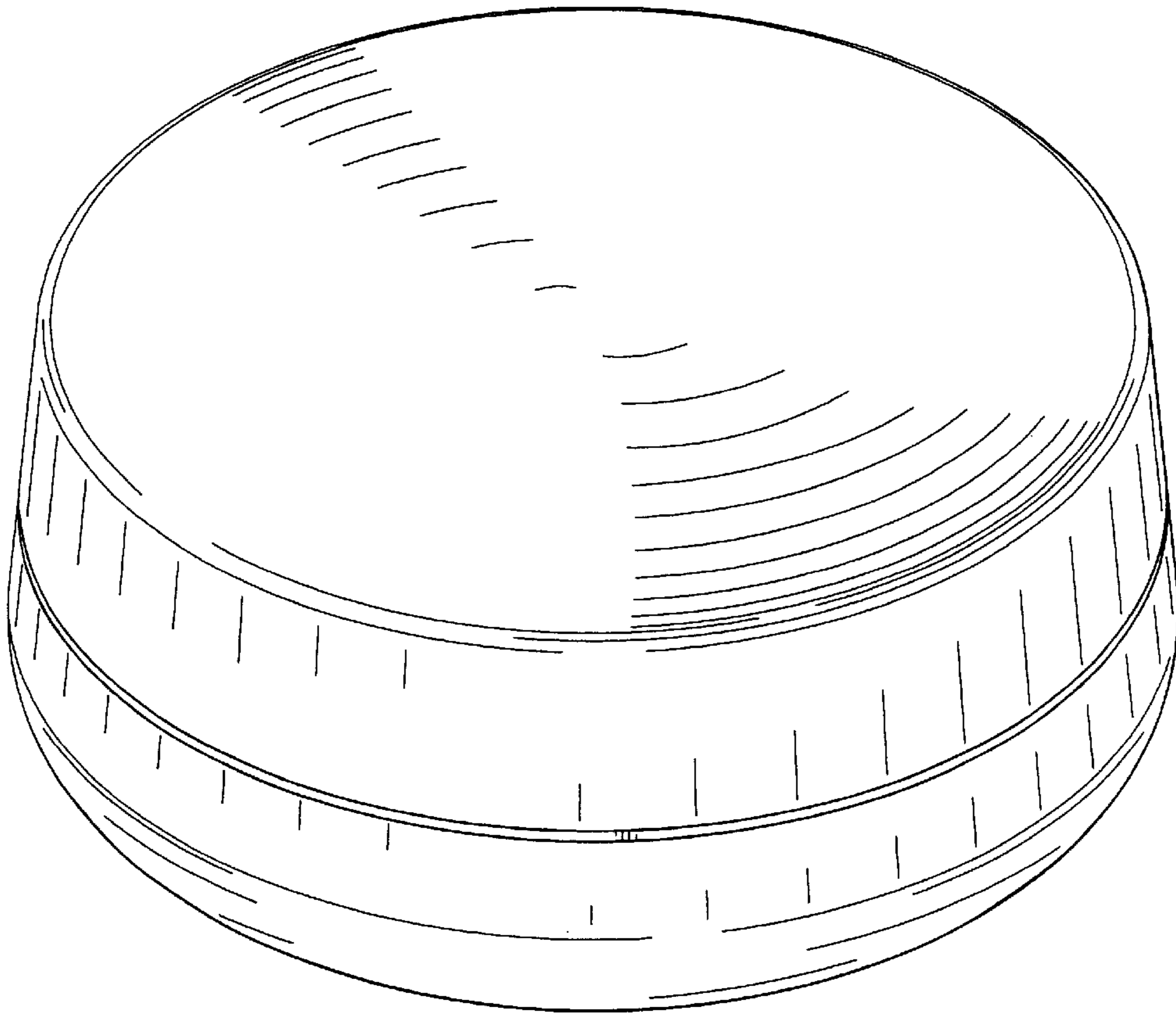


FIG. 1

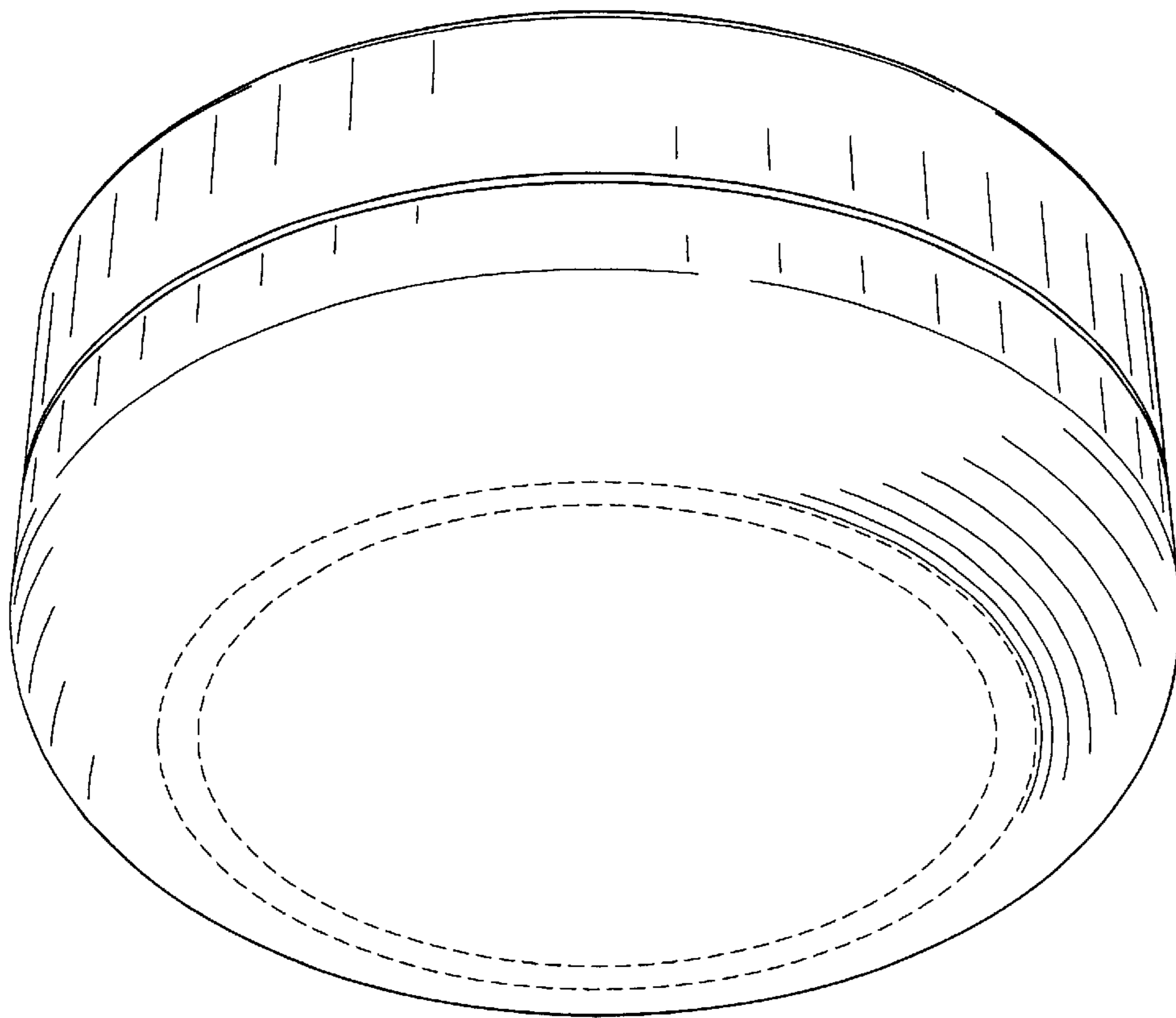


FIG. 2

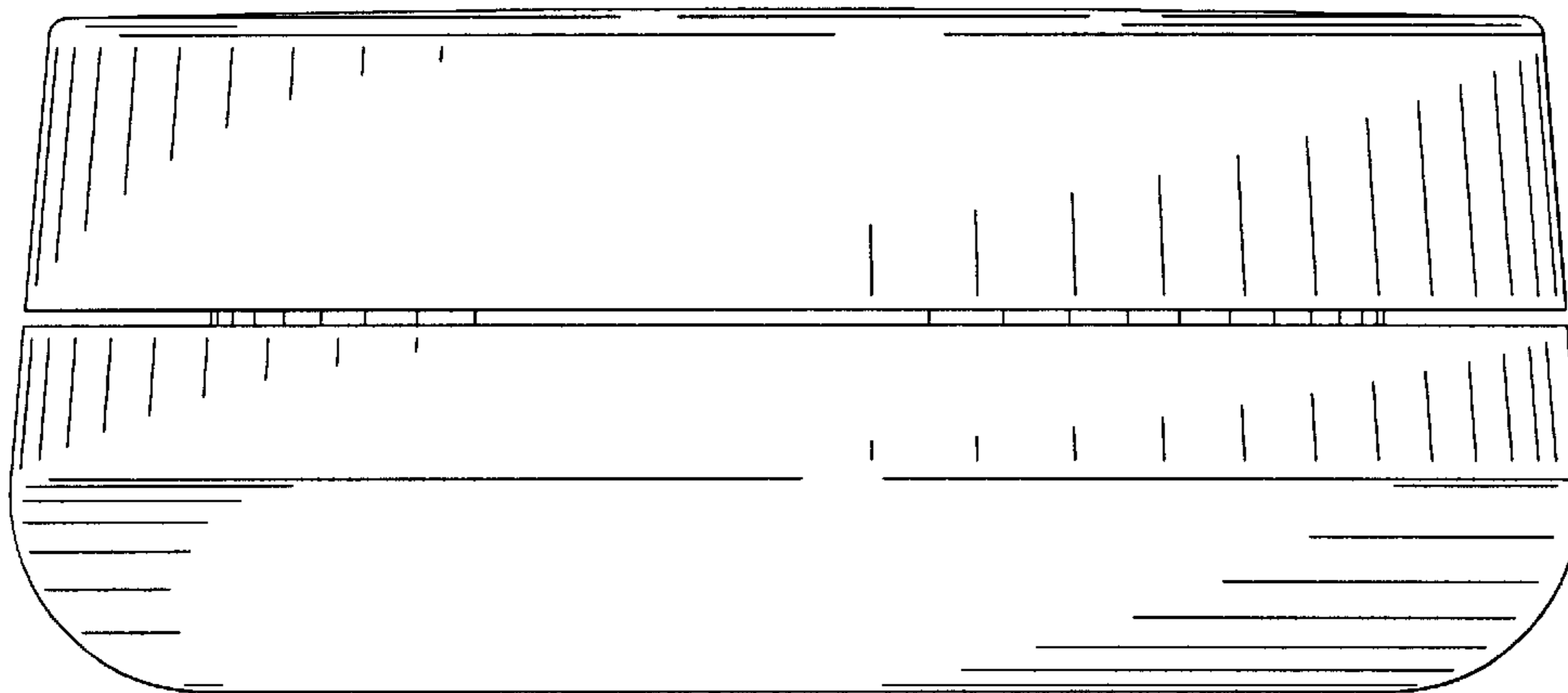


FIG. 3

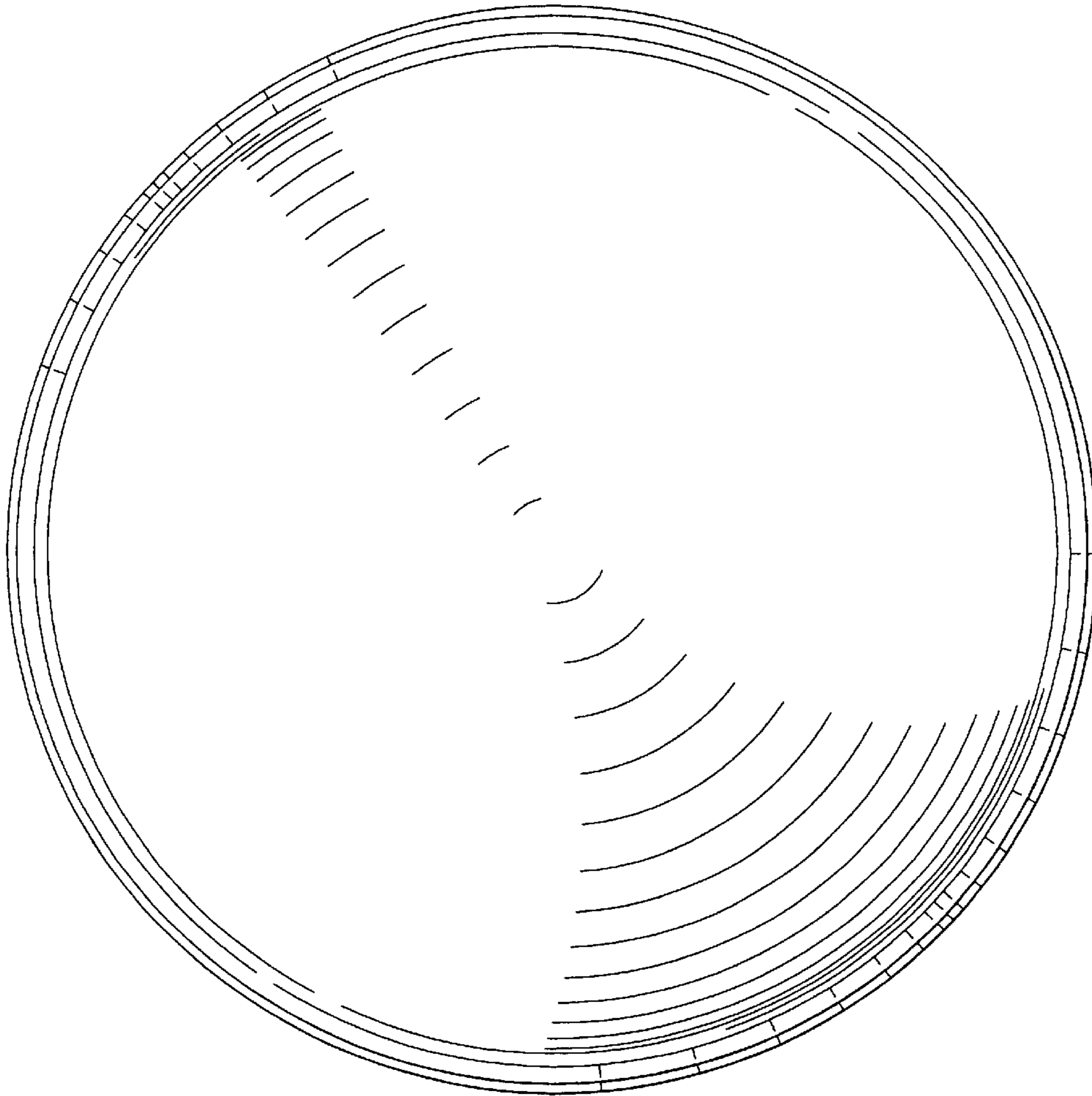


FIG. 4

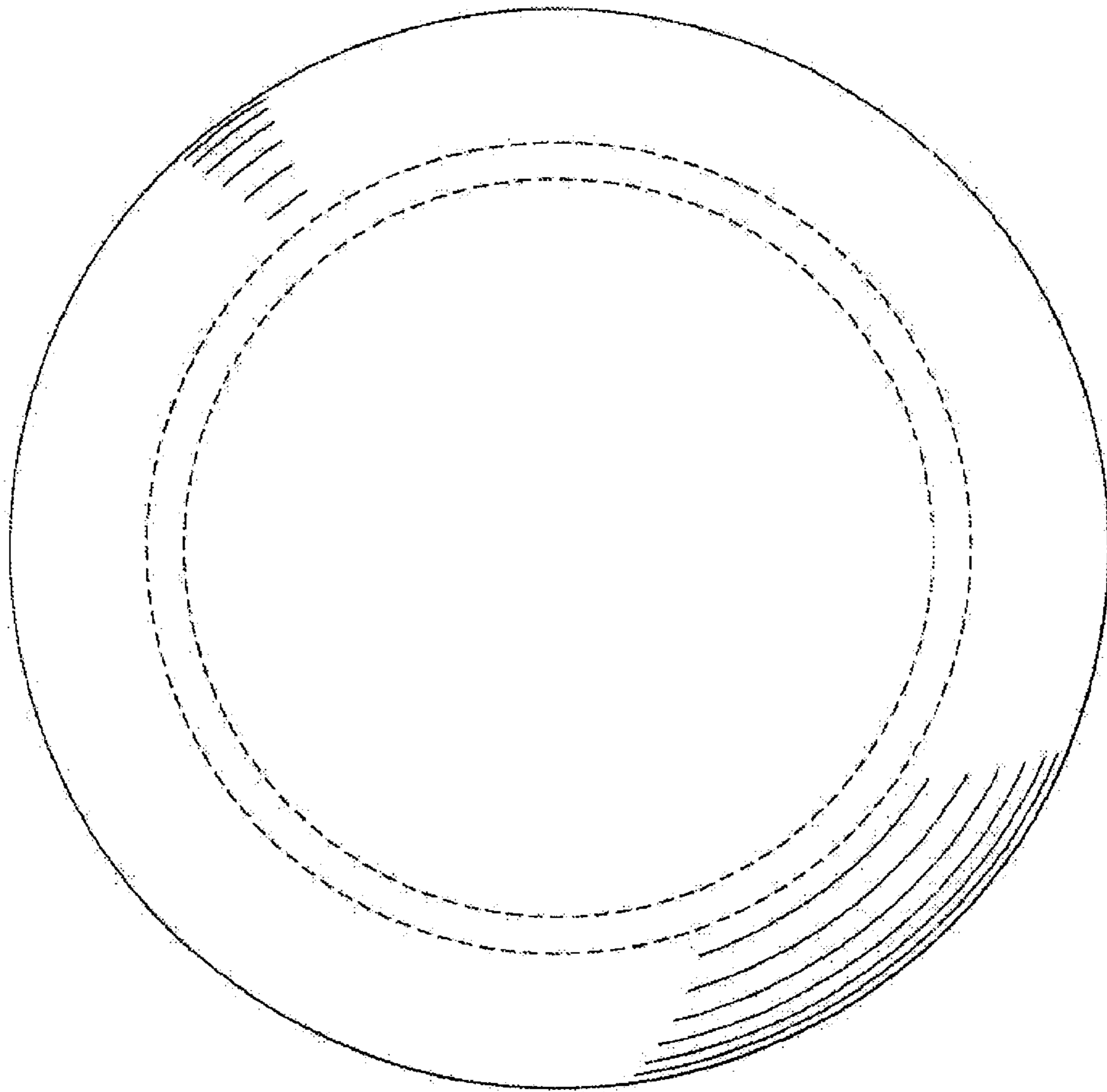


FIG. 5