

US00D543457S

(12) **United States Design Patent**
Ben-Shlomo et al.

(10) **Patent No.:** **US D543,457 S**

(45) **Date of Patent:** **** May 29, 2007**

(54) **DISPENSER**

D295,024 S * 4/1988 Trick D9/436
D433,631 S * 11/2000 Walsh D9/516
D530,613 S * 10/2006 Farrow et al. D9/502

(75) Inventors: **Tal Eldar Ben-Shlomo**,
Ramat-Hasharon (IL); **Itamar Burstein**,
Tel Aviv (IL); **Guy Ben Zur**, Skokie,
IL (US)

* cited by examiner

(73) Assignees: **Golden G.T., LLC**, Chicago, IL (US);
Ben-David Shlomo, Chicago, IL (US)

Primary Examiner—Ian Simmons
Assistant Examiner—Dana Sipos
(74) *Attorney, Agent, or Firm*—Pearl Cohen Zedek Latzer,
LLP

(**) Term: **14 Years**

(21) Appl. No.: **29/253,547**

(57) **CLAIM**

(22) Filed: **Feb. 9, 2006**

The ornamental design for a dispenser, as shown and described.

(51) **LOC (8) Cl.** **09-03**

(52) **U.S. Cl.** **D9/503; D9/523; D9/905**

(58) **Field of Classification Search** D9/500,
D9/502–505, 516, 523–524, 526, 529, 549–550,
D9/556–558, 655–656, 658–659, 737–738,
D9/741, 901–905; 215/379, 382; 220/660,
220/669

DESCRIPTION

See application file for complete search history.

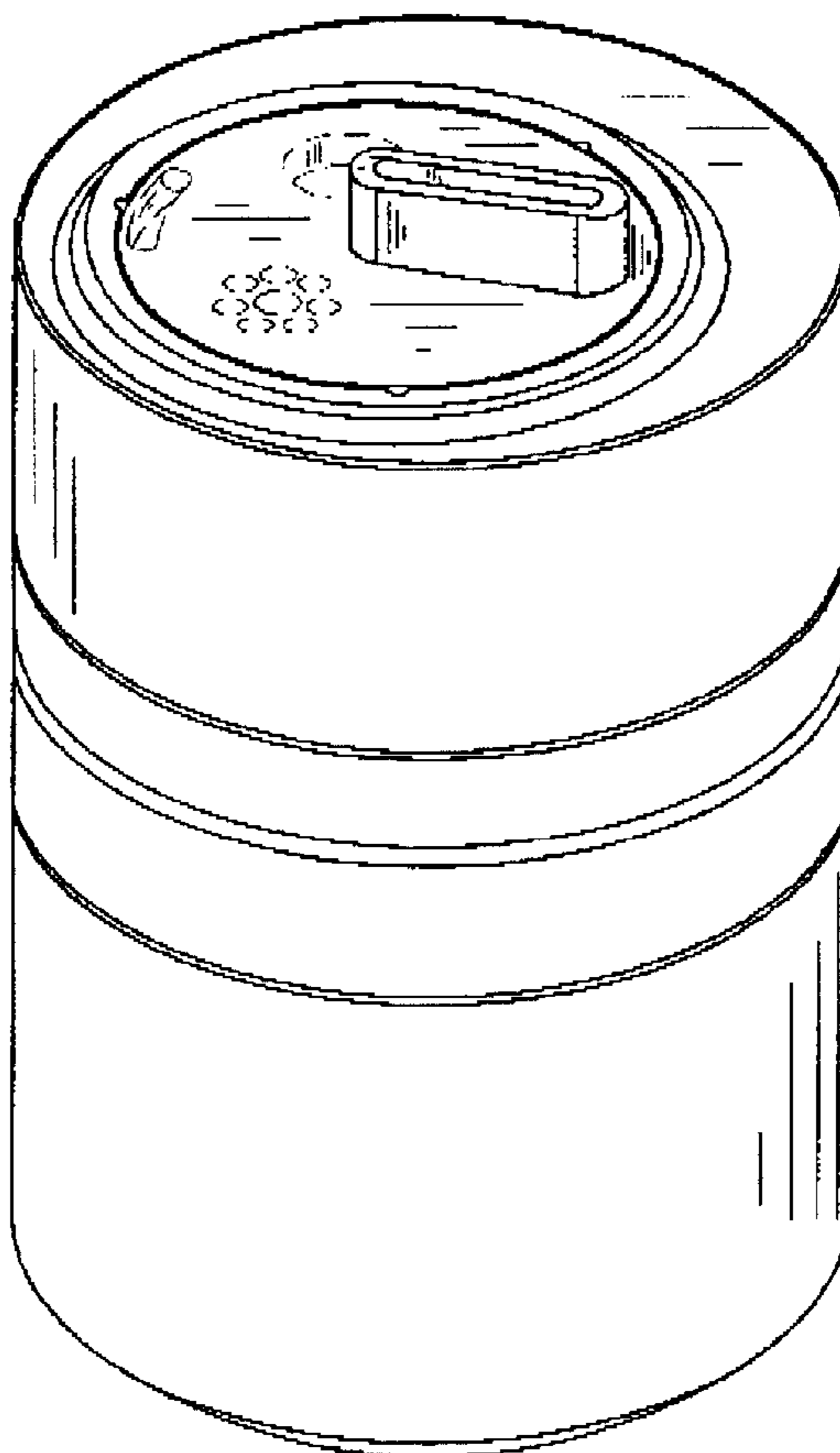
FIG. 1 is a top, perspective view of a dispenser;
FIG. 2 is a side view of the dispenser shown in FIG. 1;
FIG. 3 is a top view of the dispenser shown in FIG. 1; and,
FIG. 4 is a bottom view of the dispenser shown in FIG. 1.

(56) **References Cited**

U.S. PATENT DOCUMENTS

D265,628 S * 8/1982 Redaelli et al. D9/418

1 Claim, 4 Drawing Sheets



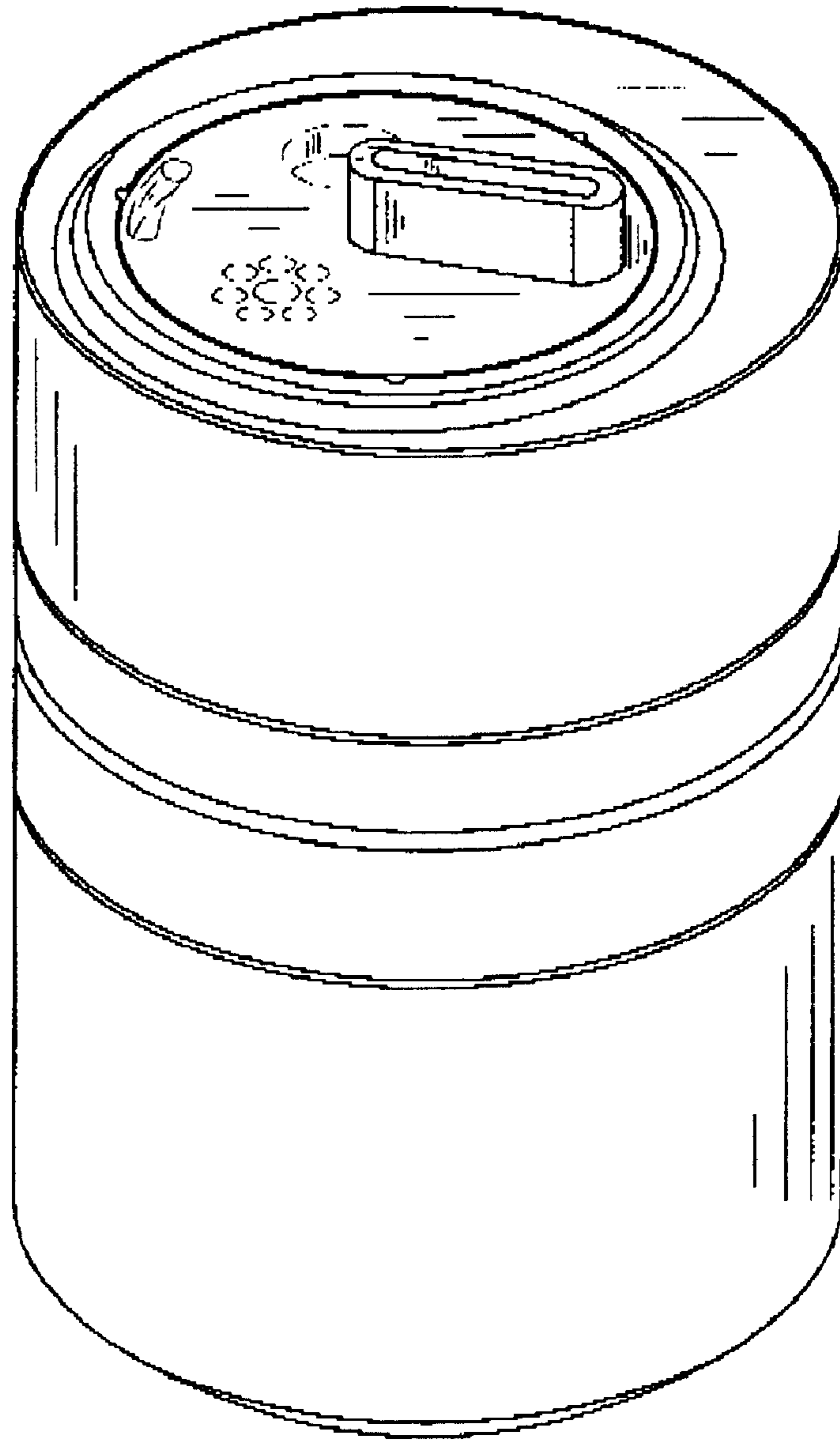


FIG. 1

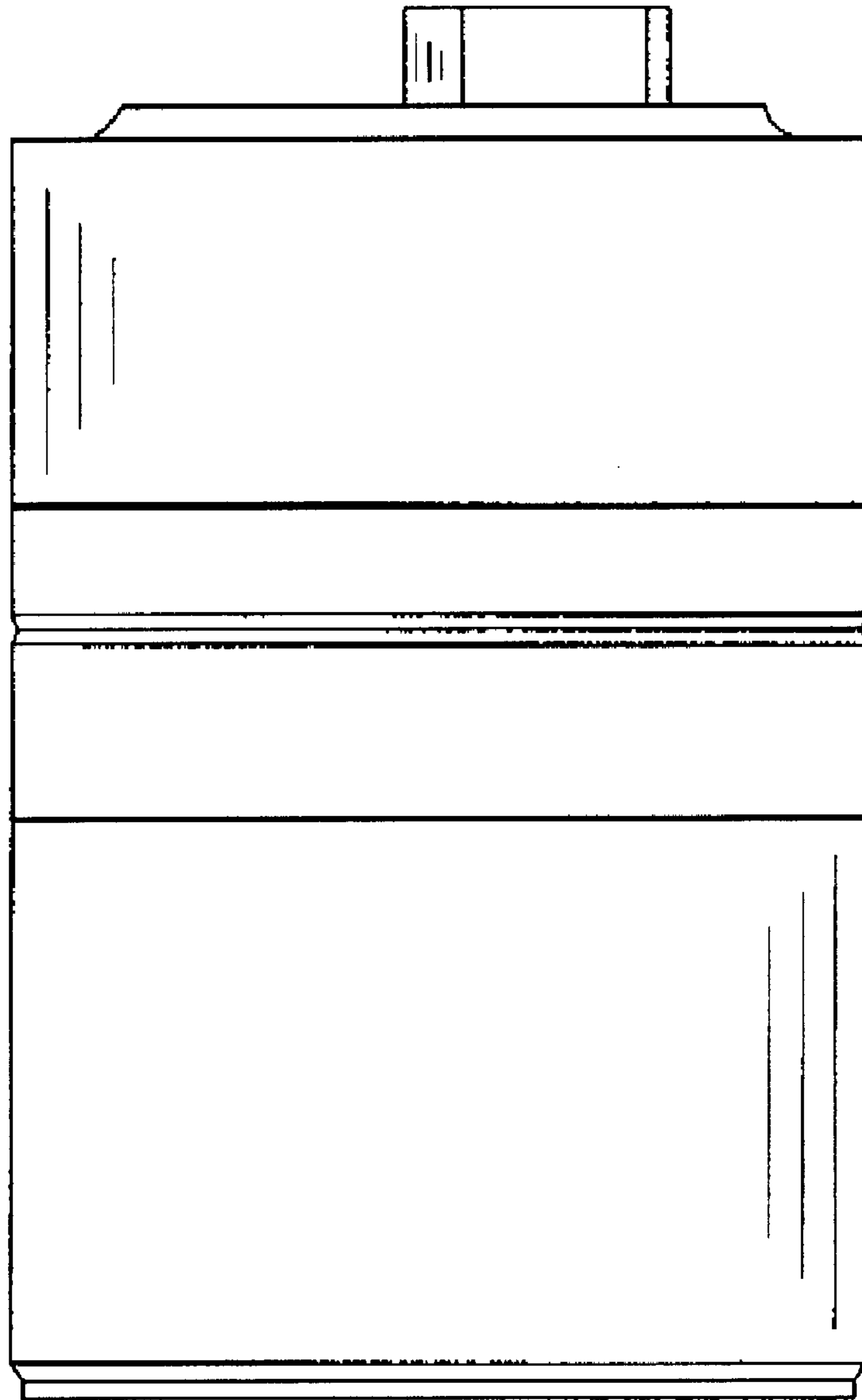


FIG. 2

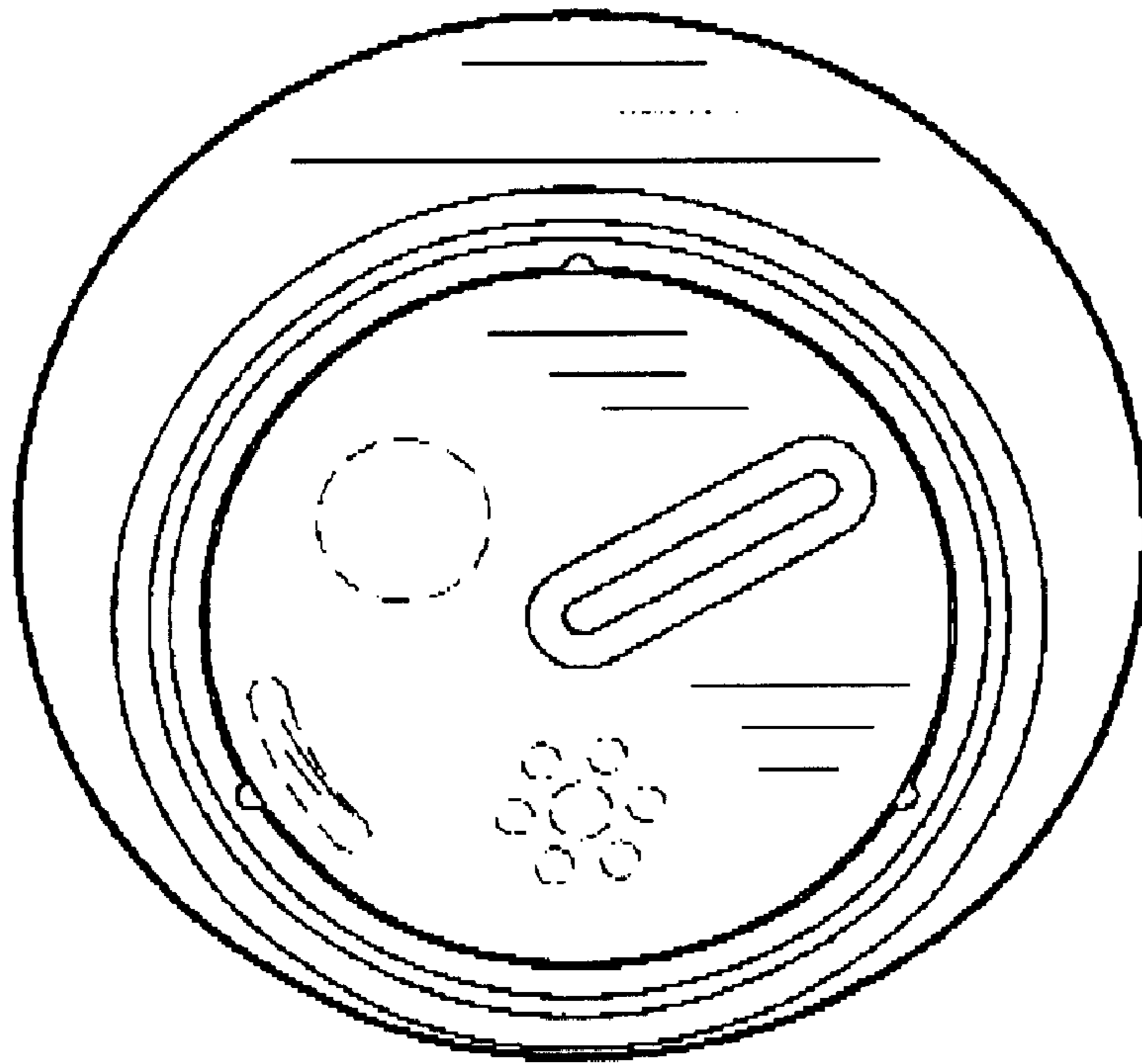


FIG. 3

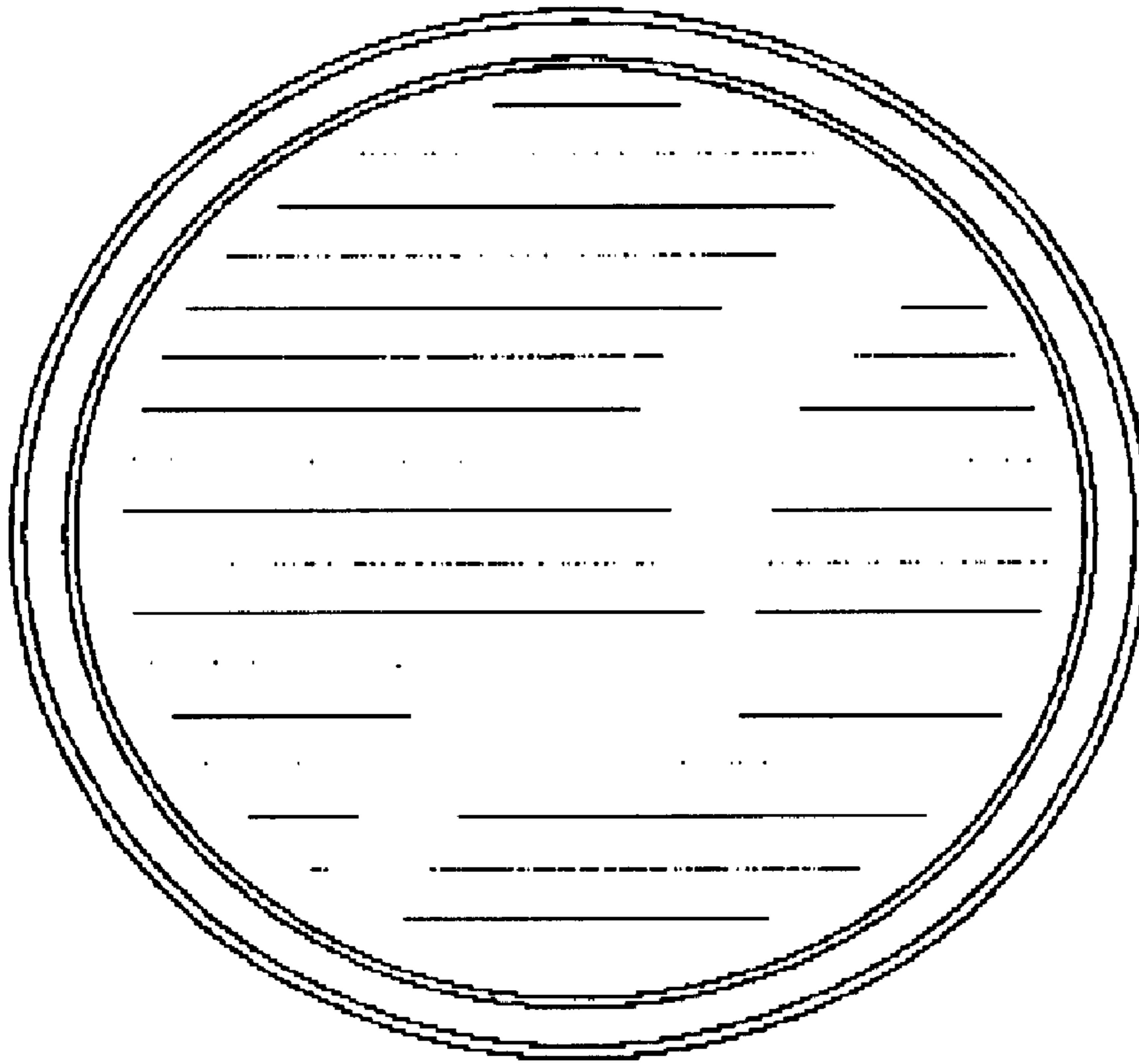


FIG. 4