

US00D543455S

(12) **United States Design Patent**  
**Winner**

(10) **Patent No.:** **US D543,455 S**

(45) **Date of Patent:** **\*\* May 29, 2007**

(54) **PORTION OF A CONTAINER**

(75) Inventor: **Douglas Winner**, Oxford, CT (US)

(73) Assignee: **Punch Products USA, Inc.**, Rahway, NJ (US)

(\*\*) Term: **14 Years**

(21) Appl. No.: **29/233,886**

(22) Filed: **Jul. 11, 2005**

(51) **LOC (8) Cl.** ..... **09-07**

(52) **U.S. Cl.** ..... **D9/449**

(58) **Field of Classification Search** ..... D9/544,  
D9/529, 521, 518, 454, 453, 449, 447, 446,  
D9/444, 440, 438, 435, 434; D7/511, 510,  
D7/396.2, 900, 392.1; 222/562, 556, 544;  
220/288; 215/316, 235, 200

See application file for complete search history.

(56) **References Cited**

**U.S. PATENT DOCUMENTS**

- D357,863 S \* 5/1995 Picozza ..... D9/436
- D418,363 S \* 1/2000 Barnes et al. .... D7/392
- D418,364 S \* 1/2000 Demore ..... D7/392.1
- D519,029 S \* 4/2006 Hicks et al. .... D9/453

**OTHER PUBLICATIONS**

Four Color Photographs of large container available as early as Sep. 2004.

Four Color Photographs of small container available as early as Sep. 2004.

\* cited by examiner

*Primary Examiner*—Robert M. Spear

*Assistant Examiner*—Susan Bennett Hattan

(74) *Attorney, Agent, or Firm*—SAIDMAN DesignLaw Group

(57) **CLAIM**

The ornamental design for a portion of a container, as shown and described.

**DESCRIPTION**

FIG. 1 is an exploded perspective view of a portion of a container showing my new design, where the lid is shown in a closed state;

FIG. 2 is an exploded perspective view thereof, where the lid is shown in an open state;

FIG. 3 is a front unexploded view of FIG. 1;

FIG. 4 is a rear view thereof;

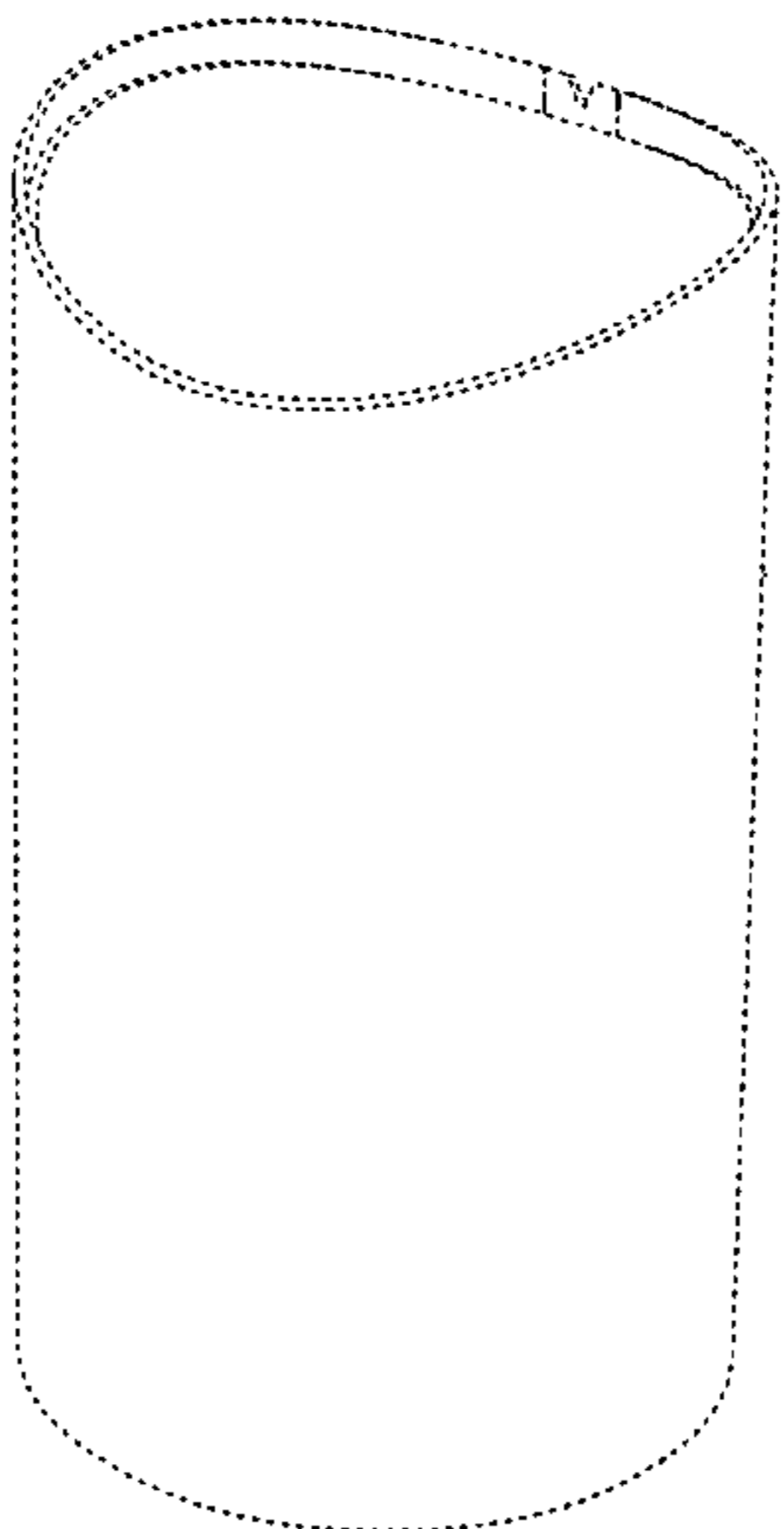
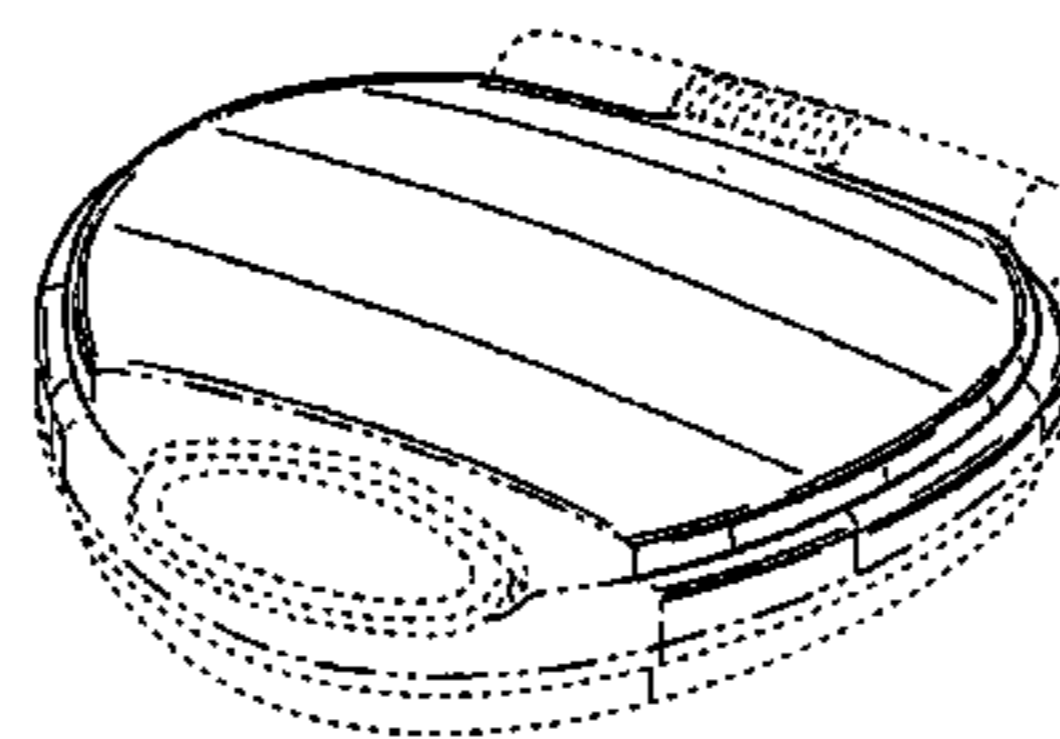
FIG. 5 is a right side view thereof, the left side view being a mirror image; and,

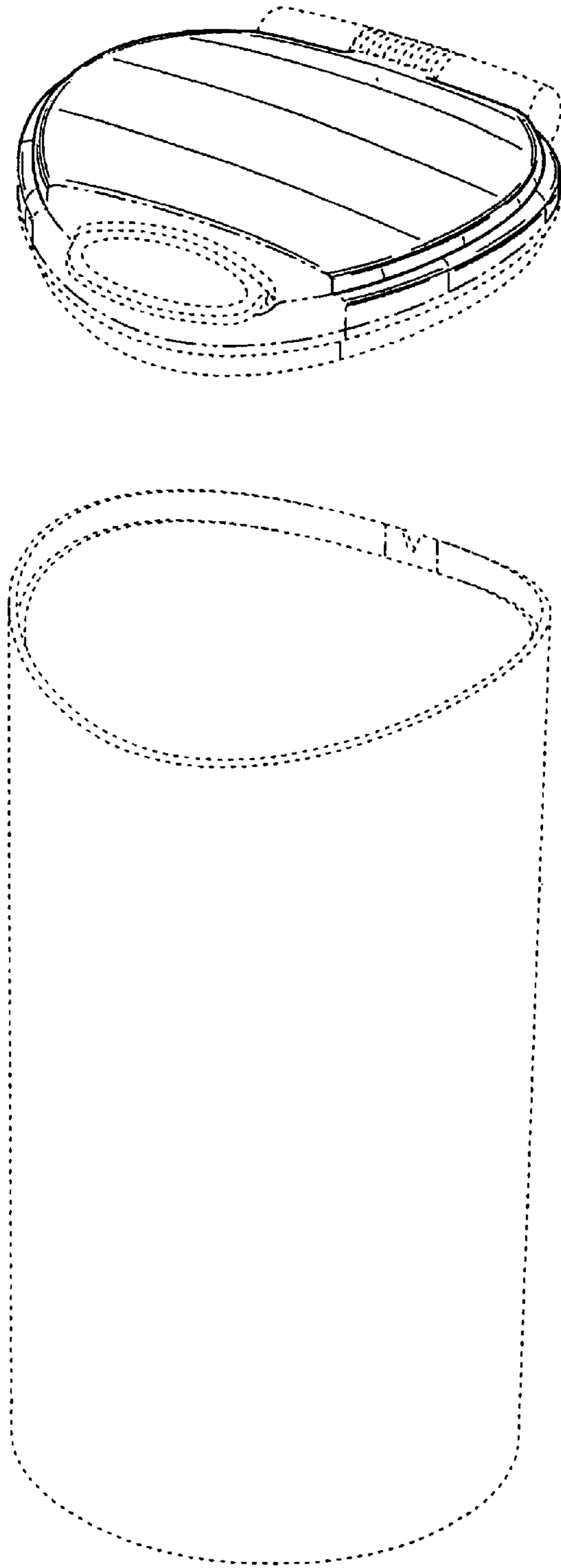
FIG. 6 is a top view thereof.

The lid is shaded to indicate a translucent material. The translucent material can be a variety of colors.

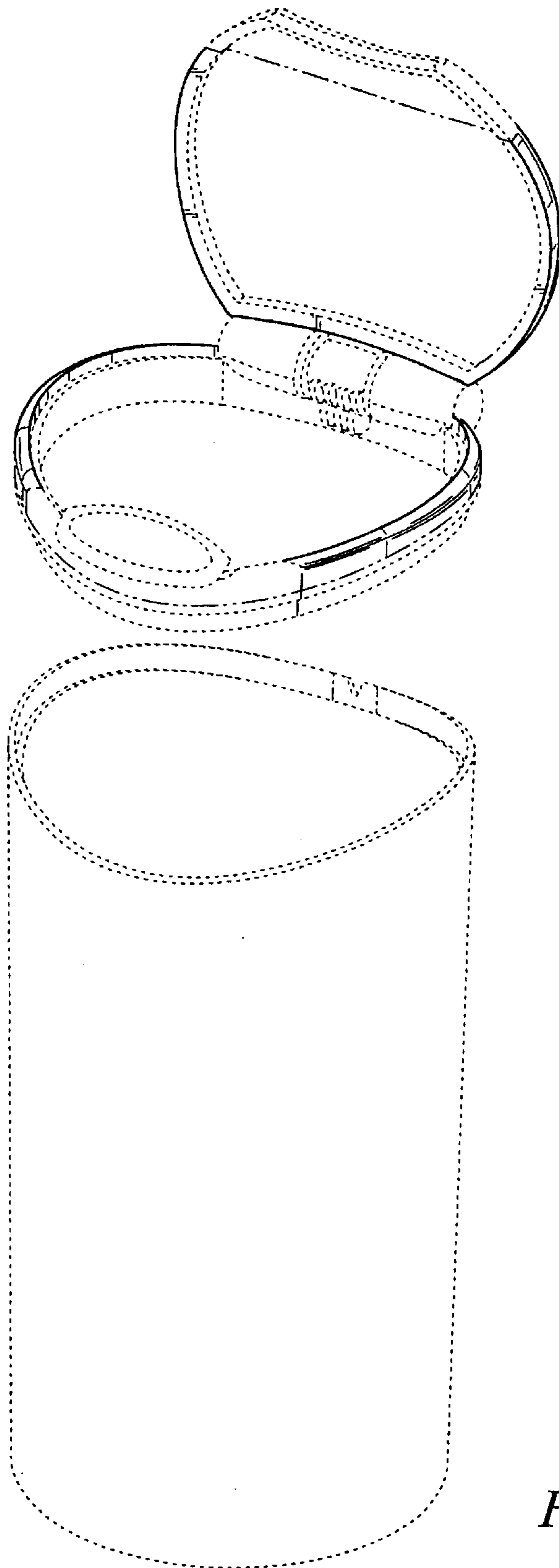
The dashed broken lines represent boundaries of the claimed design and form no part of the claimed design. The dotted broken lines represent disclosed but unclaimed subject matter and form no part of the claimed design.

**1 Claim, 4 Drawing Sheets**

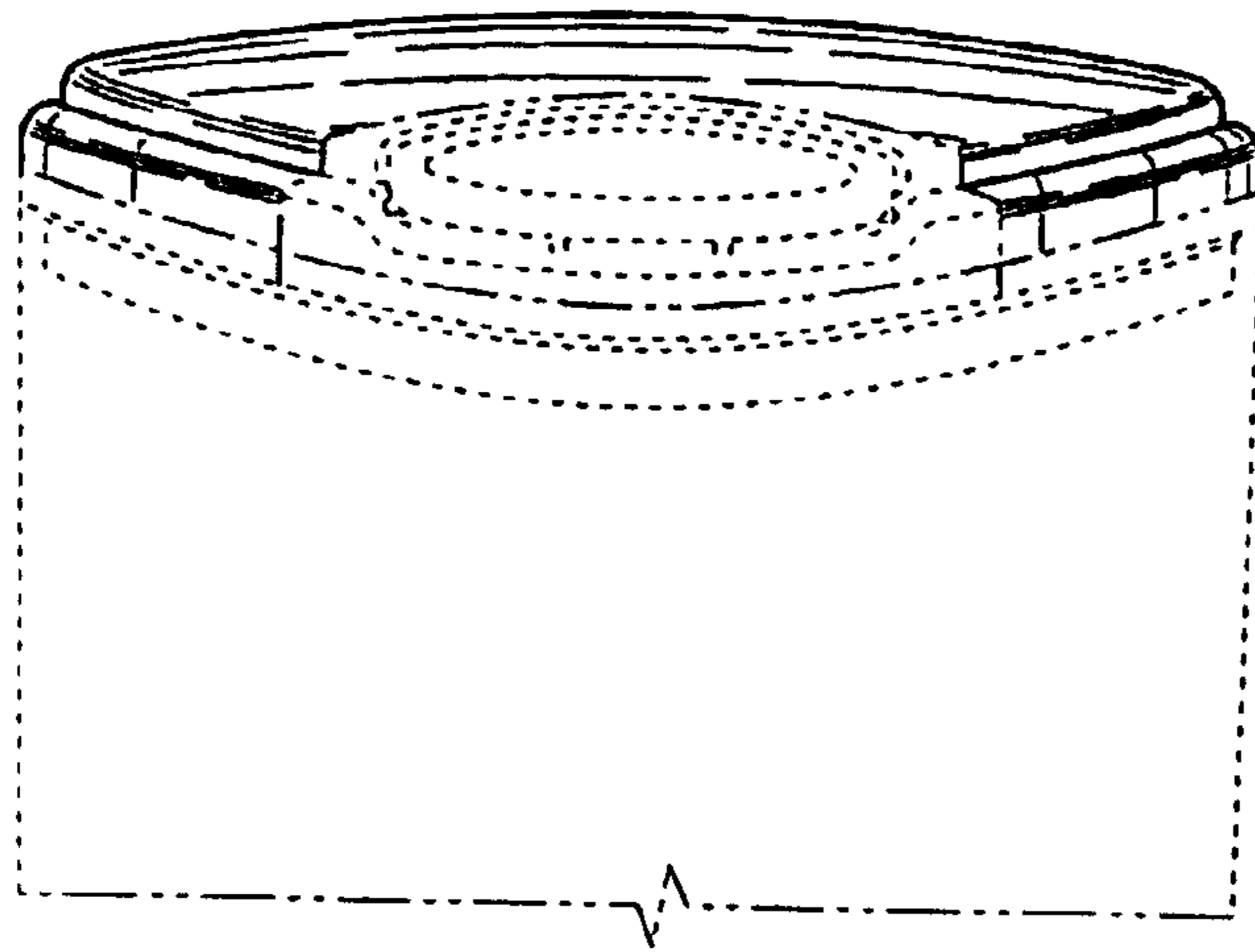




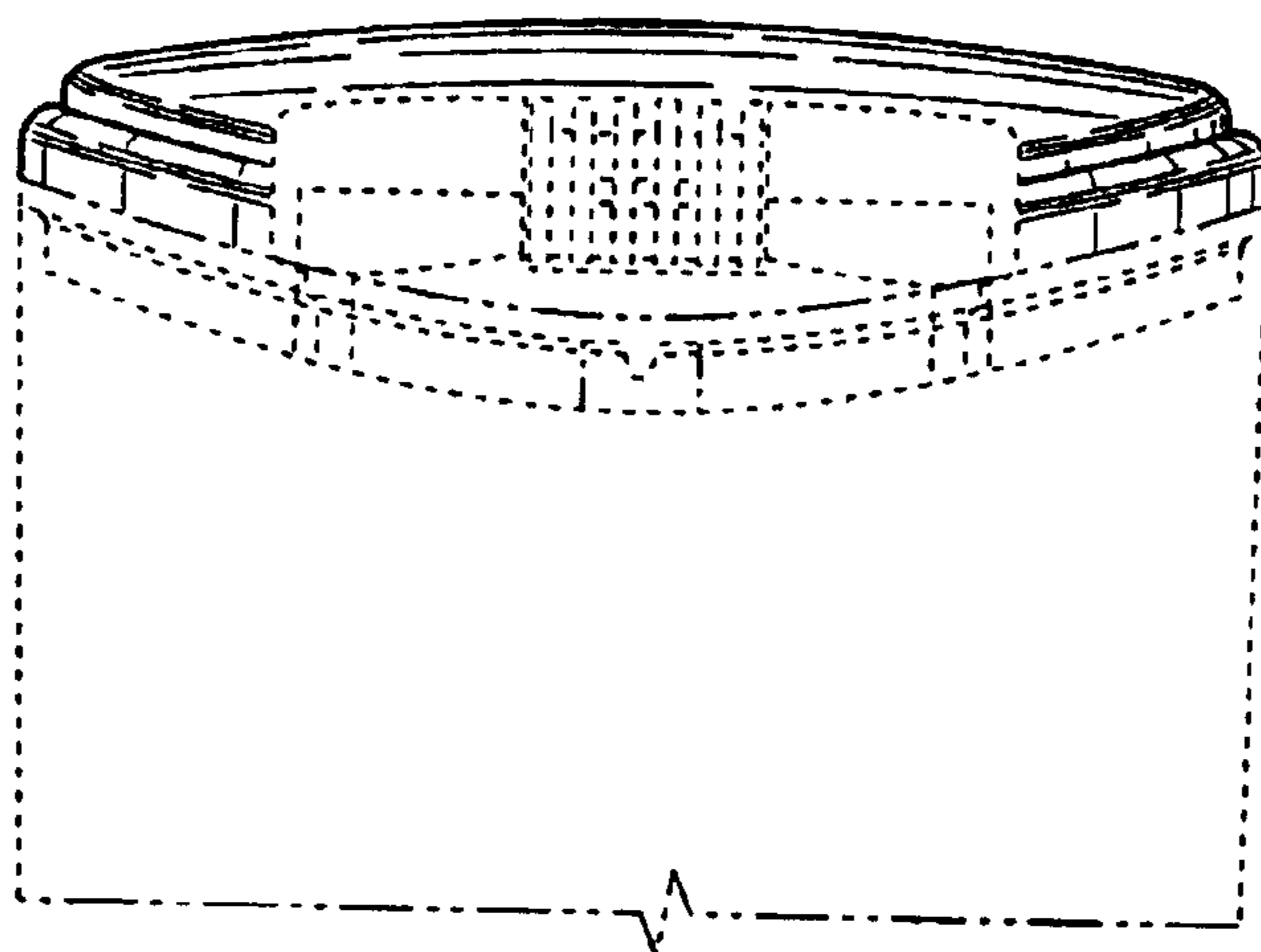
*Fig. 1*



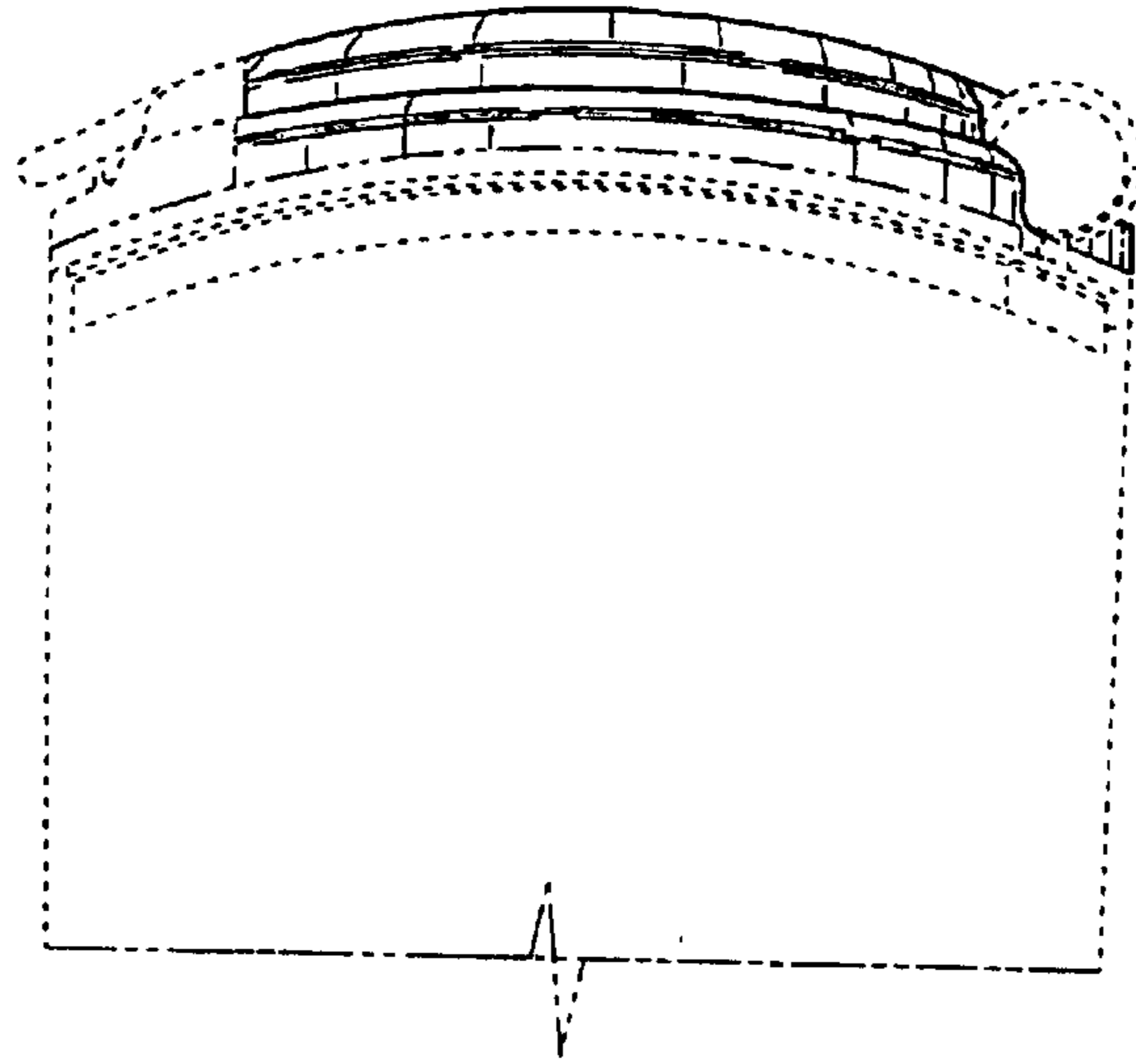
*Fig. 2*



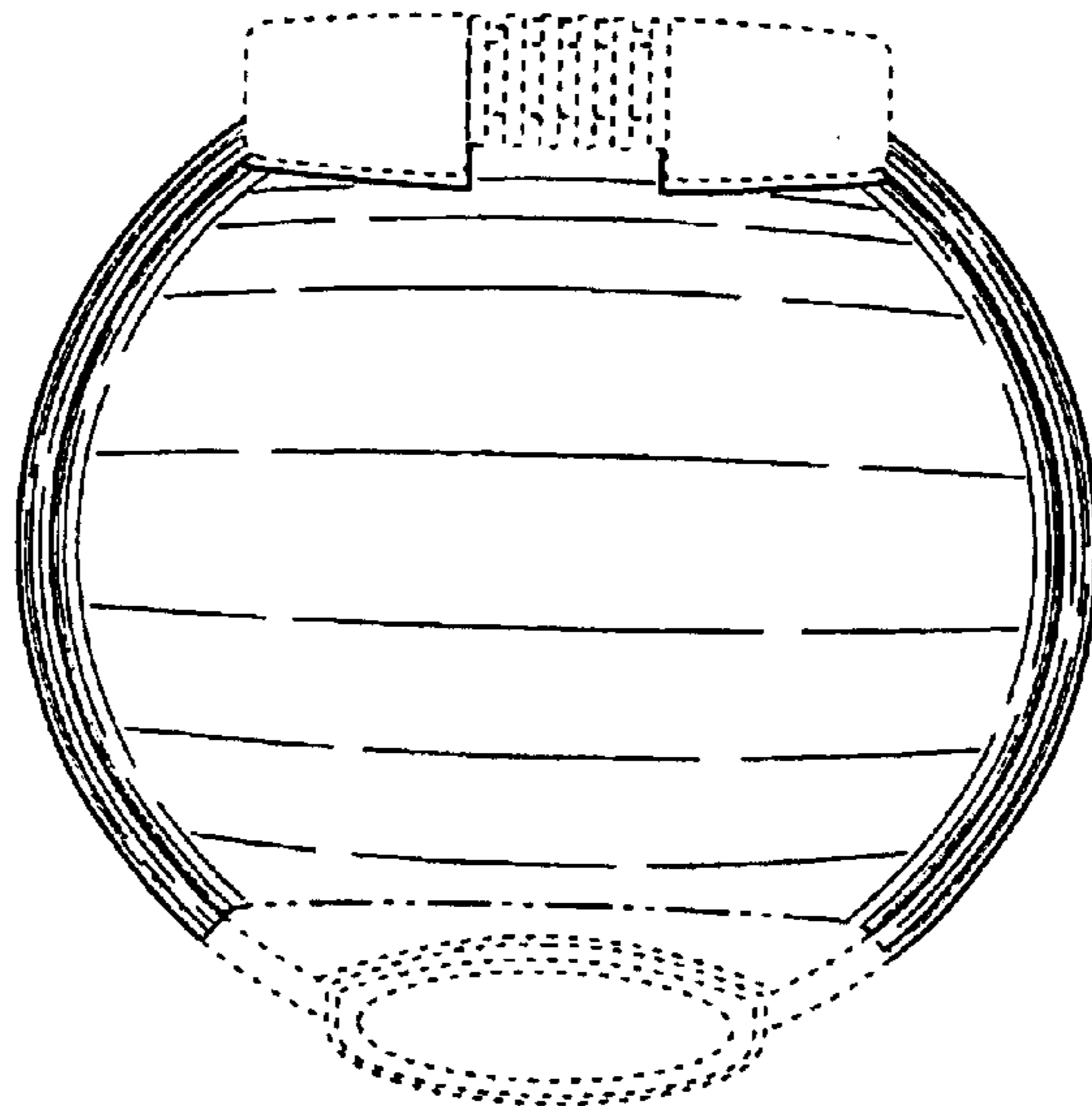
*Fig. 3*



*Fig. 4*



*Fig. 5*



*Fig. 6*