

US00D543447S

(12) **United States Design Patent**  
**Allsopp**

(10) **Patent No.:** **US D543,447 S**

(45) **Date of Patent:** **\*\* May 29, 2007**

(54) **CLIP**

(75) Inventor: **Reginald Charles Allsopp**, Stockport (GB)

(73) Assignee: **Louver-Lite Limited**, Cheshire (GB)

(\*\*) Term: **14 Years**

(21) Appl. No.: **29/241,013**

(22) Filed: **Oct. 21, 2005**

(30) **Foreign Application Priority Data**

Apr. 22, 2005 (EM) ..... 000337597

(51) **LOC (8) Cl.** ..... **08-08**

(52) **U.S. Cl.** ..... **D8/394; D8/395**

(58) **Field of Classification Search** ..... D8/356,  
D8/371, 394-396, 499, 53, 100, 365; D12/51;  
D19/65, 90; D28/39, 40, 42; 24/546, 563,  
24/910, 327, 334, DIG. 8, DIG. 9, DIG. 13,  
24/DIG. 28; 248/74.2, 300, 301, 316.7,  
248/229.26

See application file for complete search history.

(56) **References Cited**

U.S. PATENT DOCUMENTS

3,724,792 A \* 4/1973 Thalenfeld ..... 248/220.41  
D234,337 S \* 2/1975 Block ..... D8/382  
5,000,242 A 3/1991 Coddens  
5,282,504 A 2/1994 Anderson et al.

6,378,828 B1 \* 4/2002 Valiulis et al. .... 248/231.81  
D490,695 S \* 6/2004 DeBiasio, Jr. .... D8/373  
D492,189 S \* 6/2004 Weremchuk et al. .... D8/371  
6,817,401 B2 11/2004 Sun et al.  
2004/0211531 A1 10/2004 Dybdahl

FOREIGN PATENT DOCUMENTS

EP 0 942 141 9/1999

\* cited by examiner

*Primary Examiner*—Louis S. Zarfes

*Assistant Examiner*—John Windmuller

(74) *Attorney, Agent, or Firm*—Haugen Law Firm PLLP

(57) **CLAIM**

The ornamental design for an clip, as shown and described.

**DESCRIPTION**

FIG. 1 is a front perspective view of the present invention;

FIG. 2 is a rear perspective view of the present invention;

FIG. 3 is a top plan view of the present invention;

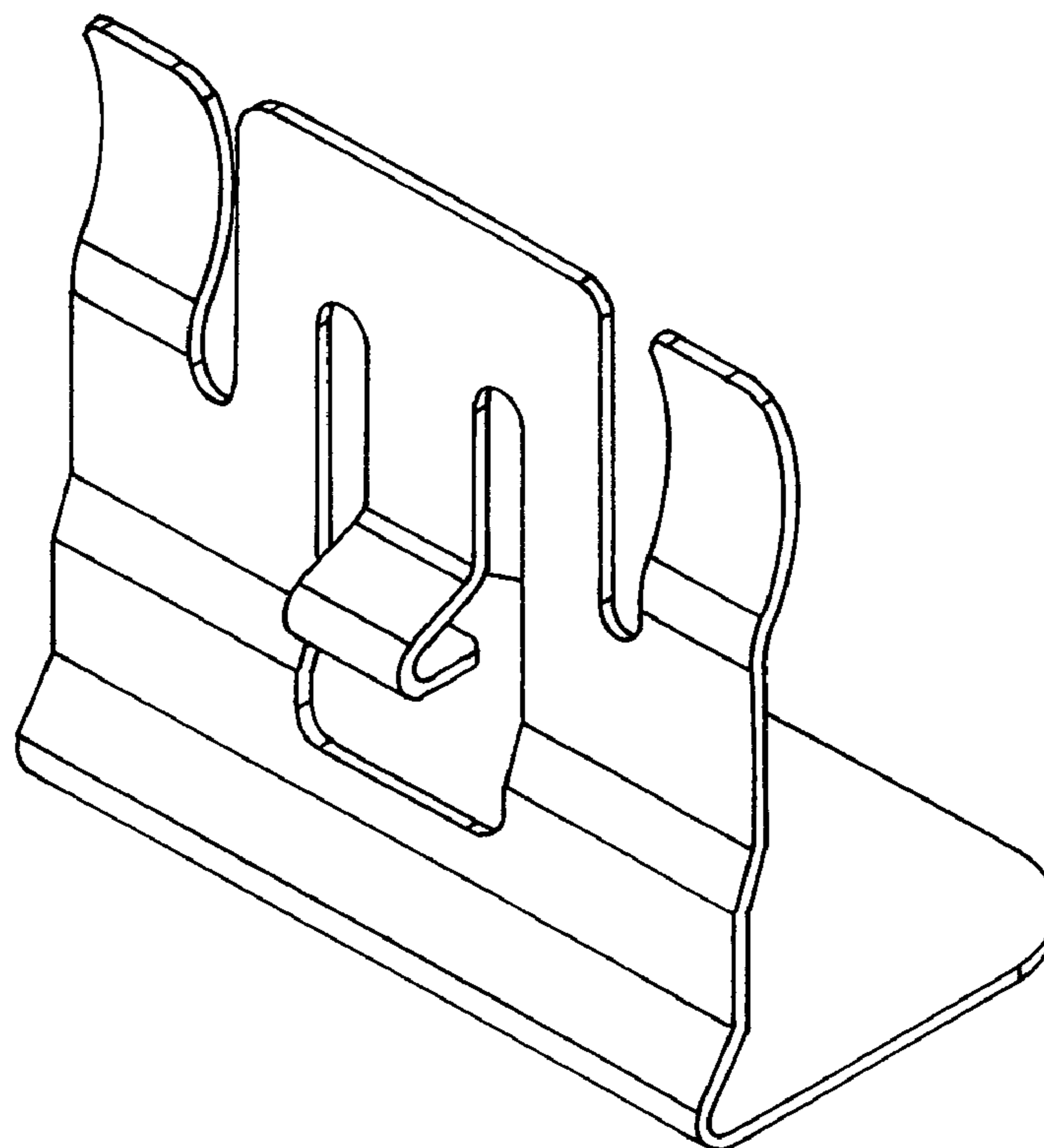
FIG. 4 is a side elevation view of one side of the present invention;

FIG. 5 is a rear elevation view of the present invention;

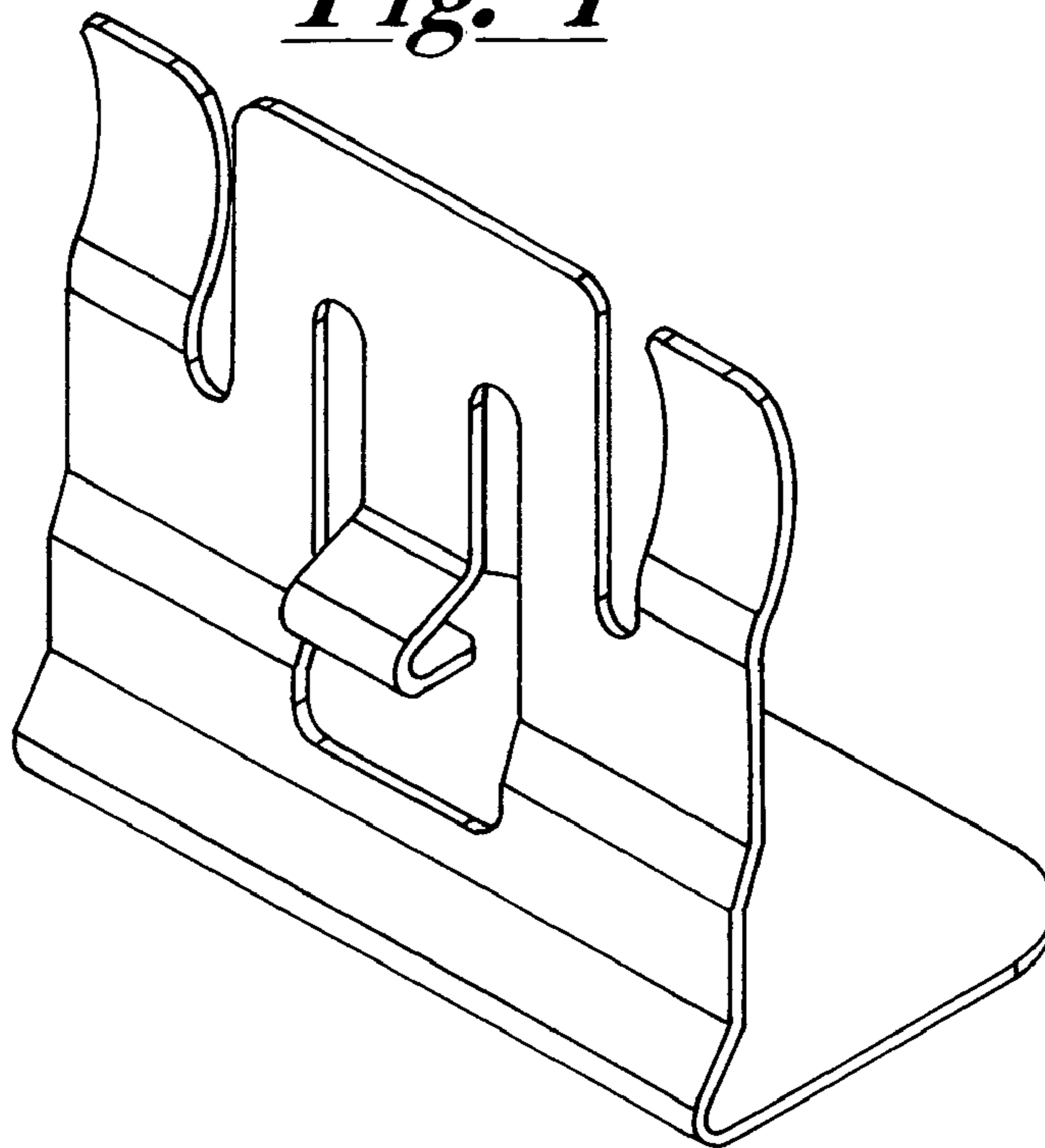
FIG. 6 is a side elevation view of the other side of the present invention; and,

FIG. 7 is a bottom plan view of the present invention.

**1 Claim, 3 Drawing Sheets**



*Fig.-1*



*Fig.-2*

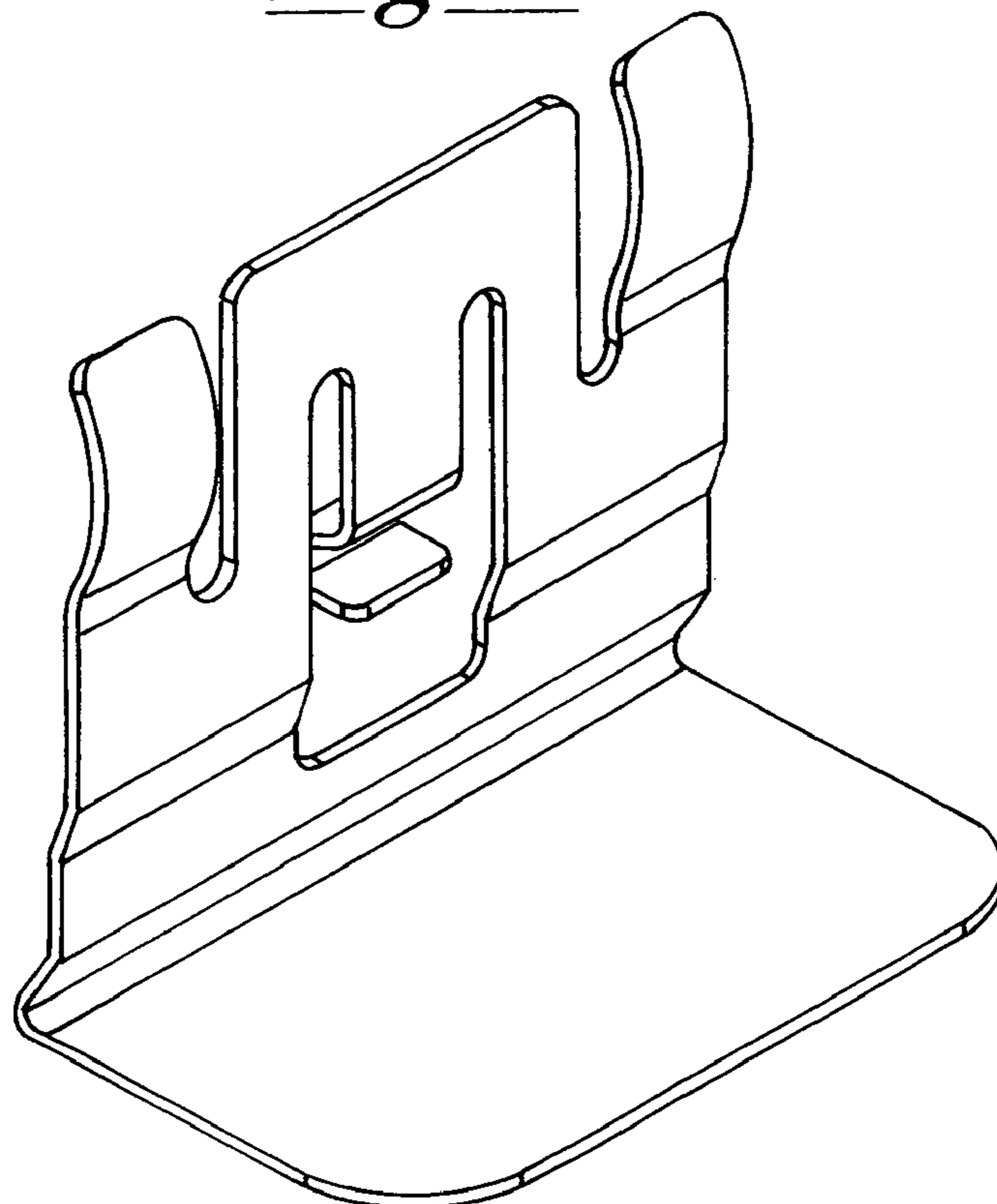


Fig.-3

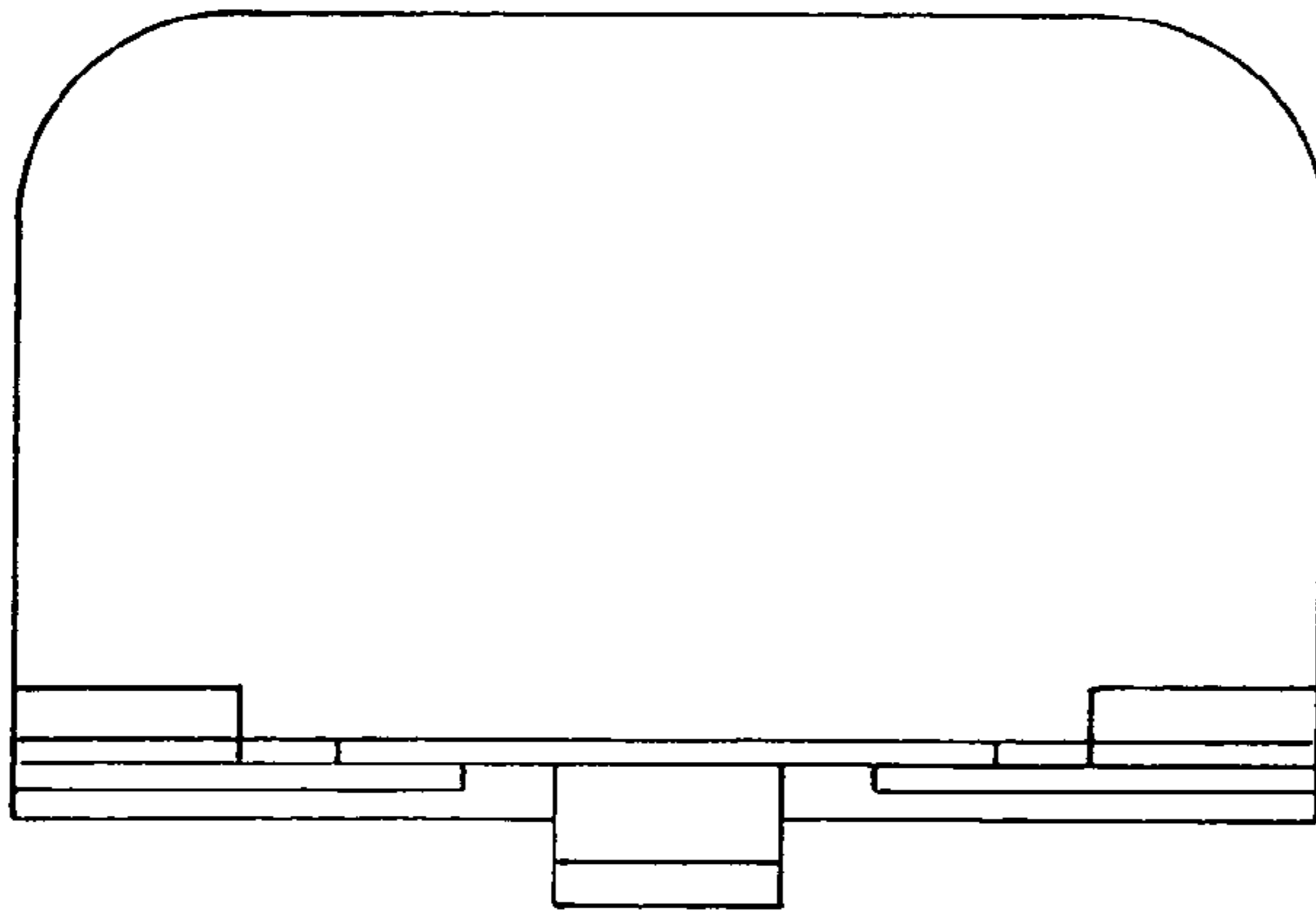


Fig.-4

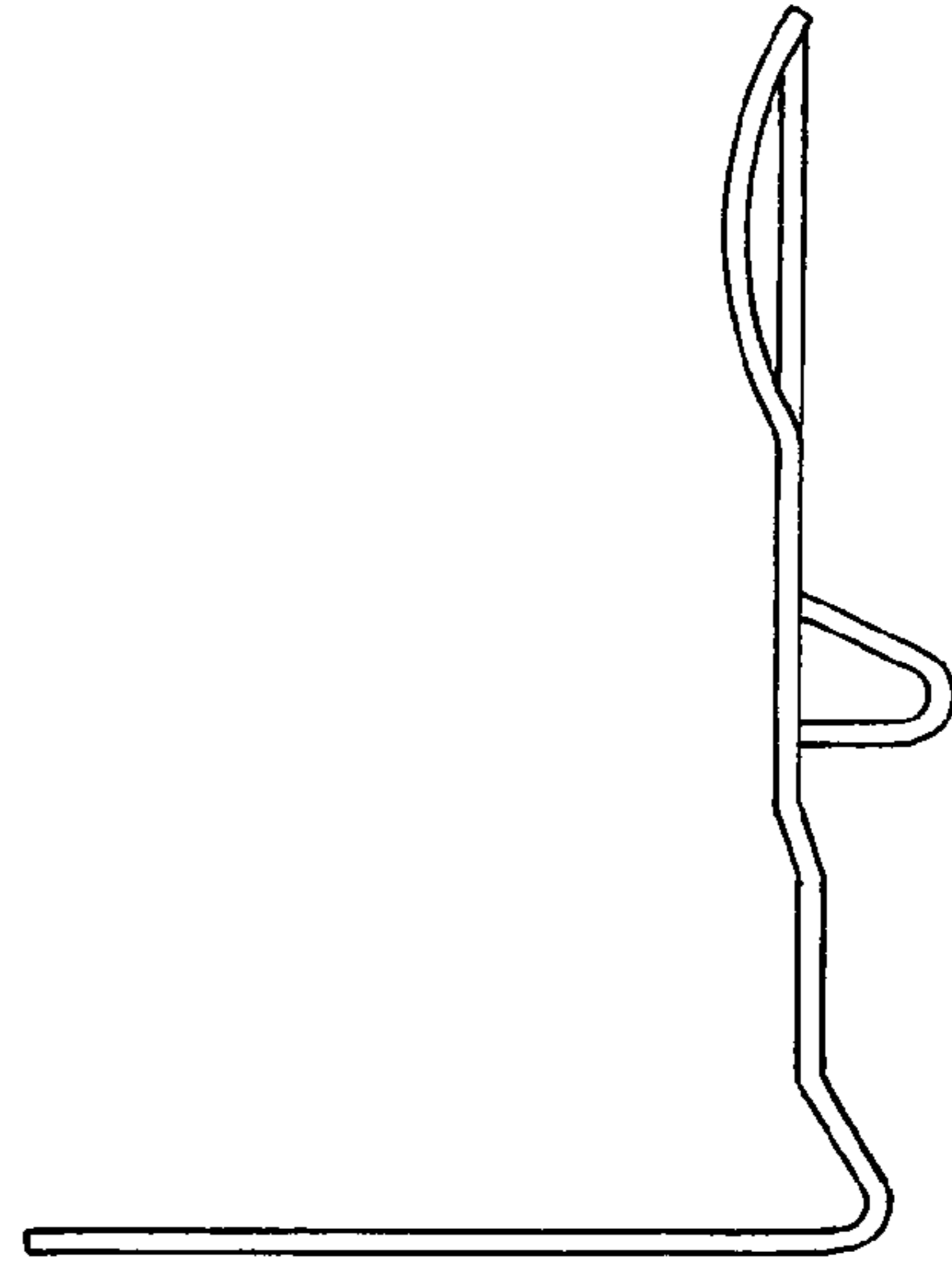
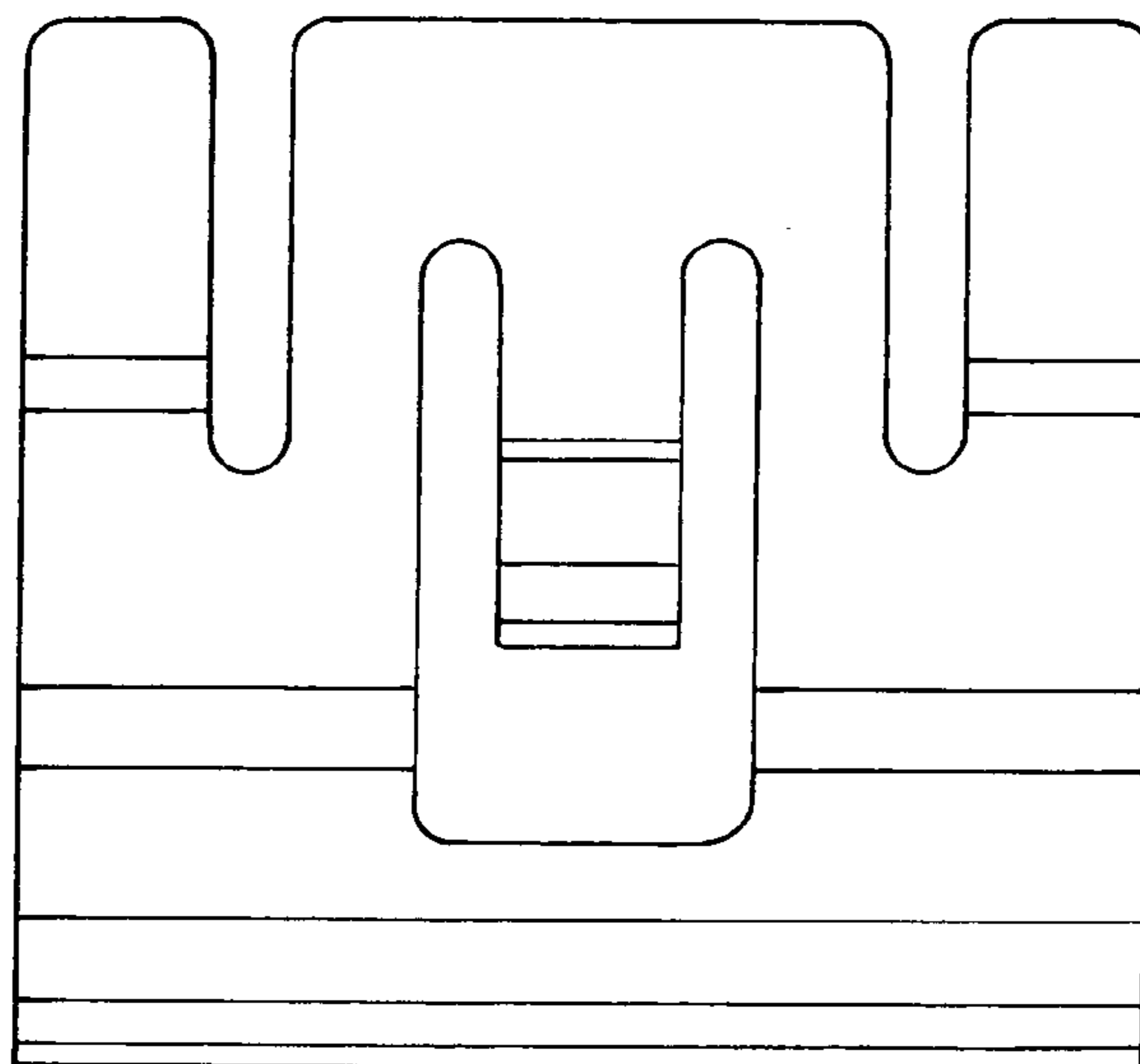
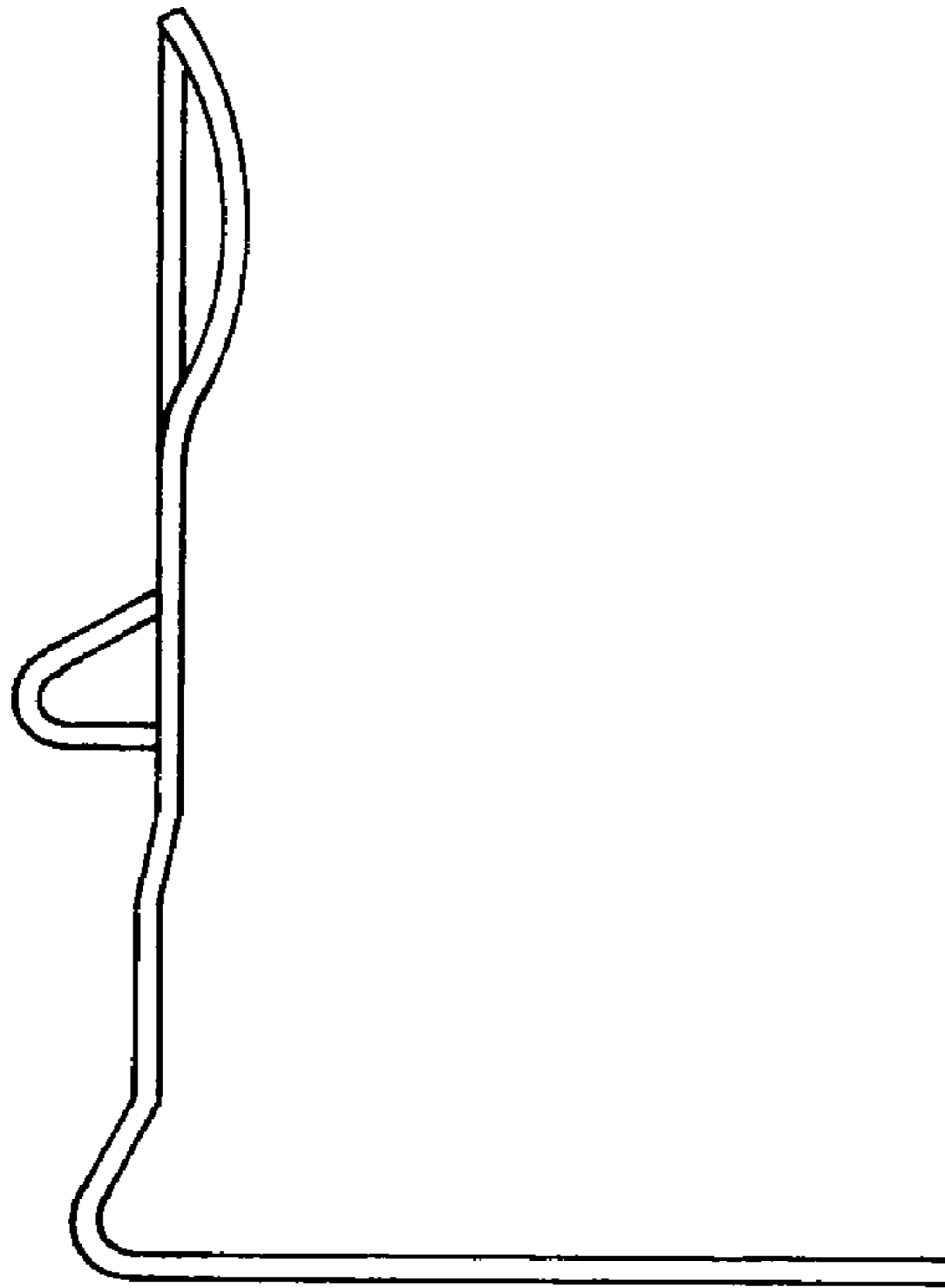


Fig.-5



*Fig. - 6*



*Fig. - 7*

