

US00D543446S

(12) **United States Design Patent**
DiNenna

(10) **Patent No.:** **US D543,446 S**

(45) **Date of Patent:** **** May 29, 2007**

- (54) **HEAD, FOR A FASTENER OR ACTUATOR**
- (75) Inventor: **John C. DiNenna**, Bridgeport, PA (US)
- (73) Assignee: **Streamlight, Inc.**, Eagleville, PA (US)
- (**) Term: **14 Years**
- (21) Appl. No.: **29/217,185**
- (22) Filed: **Nov. 15, 2004**
- (51) **LOC (8) Cl.** **08-08**
- (52) **U.S. Cl.** **D8/387**
- (58) **Field of Classification Search** D8/387,
D8/397; 411/403, 378, 379, 382, 542
See application file for complete search history.

(56) **References Cited**

U.S. PATENT DOCUMENTS

3,106,862	A	*	10/1963	Briles	411/403
3,178,988	A	*	4/1965	Borup	411/403
D373,623	S	*	9/1996	Mathison	D23/260
D411,952	S	*	7/1999	Alderisio, Jr.	D8/387
D413,059	S	*	8/1999	Dell et al.	D8/387
D413,254	S	*	8/1999	Lee	D8/387
6,481,944	B2	*	11/2002	Mann et al.	411/403
D473,126	S	*	4/2003	Fergusson	D8/387
D478,806	S	*	8/2003	McDonough et al.	D8/387
D496,260	S	*	9/2004	Echazabal	D8/387
D517,404	S	*	3/2006	Schluter	D8/387

OTHER PUBLICATIONS

STREAMLIGHT, "Introducing The All-New MIL-SPEC X-Series Trusted Tactical Lights Taken To The X-treme," http://www.streamlight.com/x-series_info.htm, Printed Oct. 28, 2004, 3 Pages.

Insight Technology, Inc., "M6X Tactical Laser Illuminator," <http://www.insightlights.com/products/showProduct.asp?id=11>, © 2004, Printed Oct. 28, 2004, 6 Pages.

First Samco, "Tactical Accessories," Tactical Light Holder, <http://www.firstsamco.com/catalog/productdetail.php?ID=4>, © 2002, Printed Nov. 4, 2004, 2 Pages.

* cited by examiner

Primary Examiner—Holly Baynham

(74) *Attorney, Agent, or Firm*—Dann, Dorfman, Herrell & Skillman, P.C.

(57) **CLAIM**

The ornamental design for a head, for a fastener or actuator, as shown and described.

DESCRIPTION

FIG. 1 is an isometric view of a first example embodiment of an ornamental design for a head as for a fastener or actuator;

FIG. 2 is an end view of a first end thereof;

FIG. 3 is an end view of an opposite end thereof;

FIG. 4 is a side view of first and third opposing sides thereof; FIG. 5 is a side view of second and fourth opposing sides thereof;

FIG. 6 is an isometric view of a second example embodiment of the ornamental design shown in FIG. 1 which has end views as shown in FIGS. 2 and 3 ;

FIG. 7 is a side view of first and third opposing sides thereof;

FIG. 8 is a side view of second and fourth opposing sides thereof;

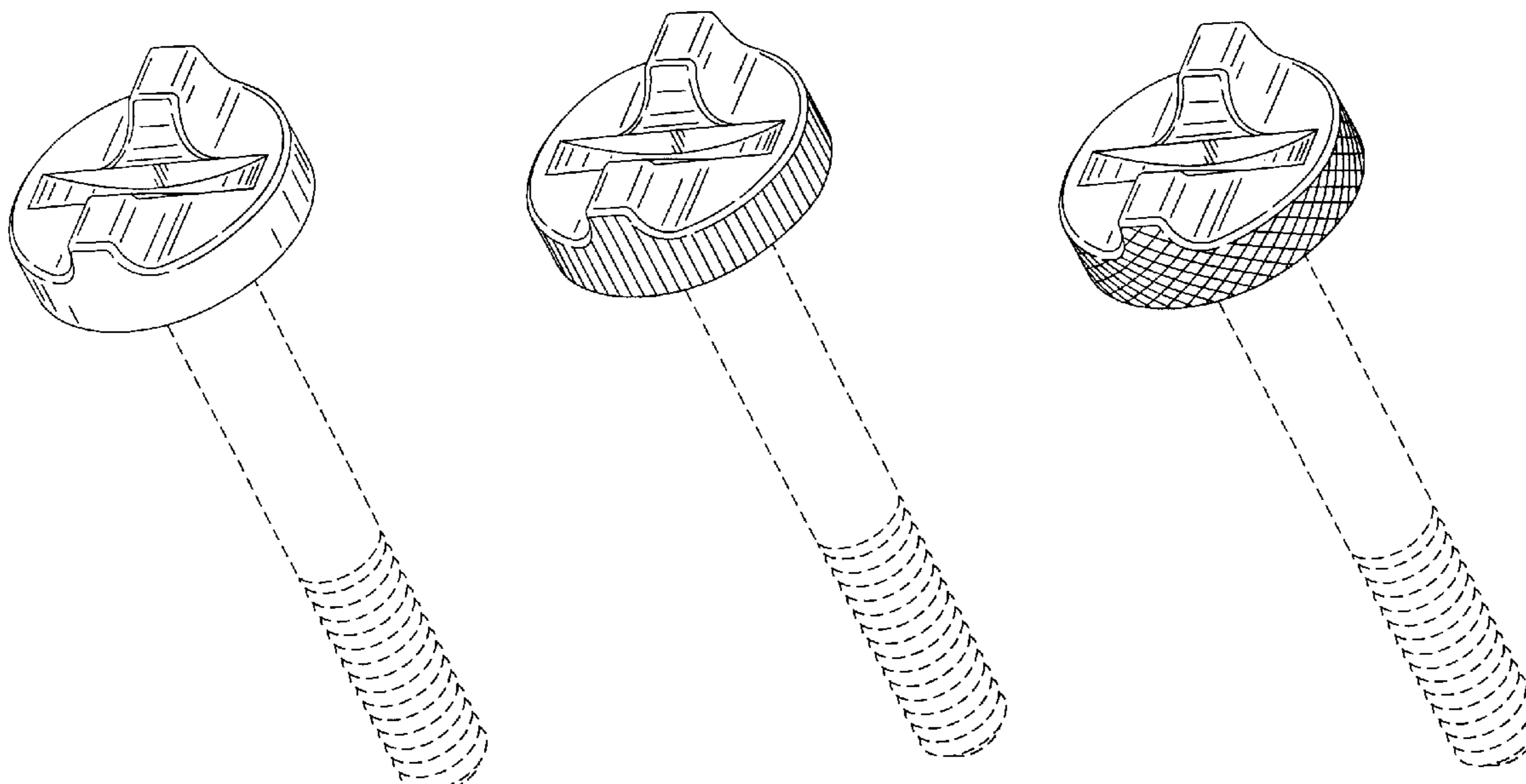
FIG. 9 is an isometric view of a third example embodiment of the ornamental design shown in FIG. 1;

FIG. 10 is a side view of first and third opposing sides thereof; and

FIG. 11 is a side view of second and fourth opposing sides thereof.

The broken line showing is for illustrative purposes and forms no part of the claimed design.

1 Claim, 6 Drawing Sheets



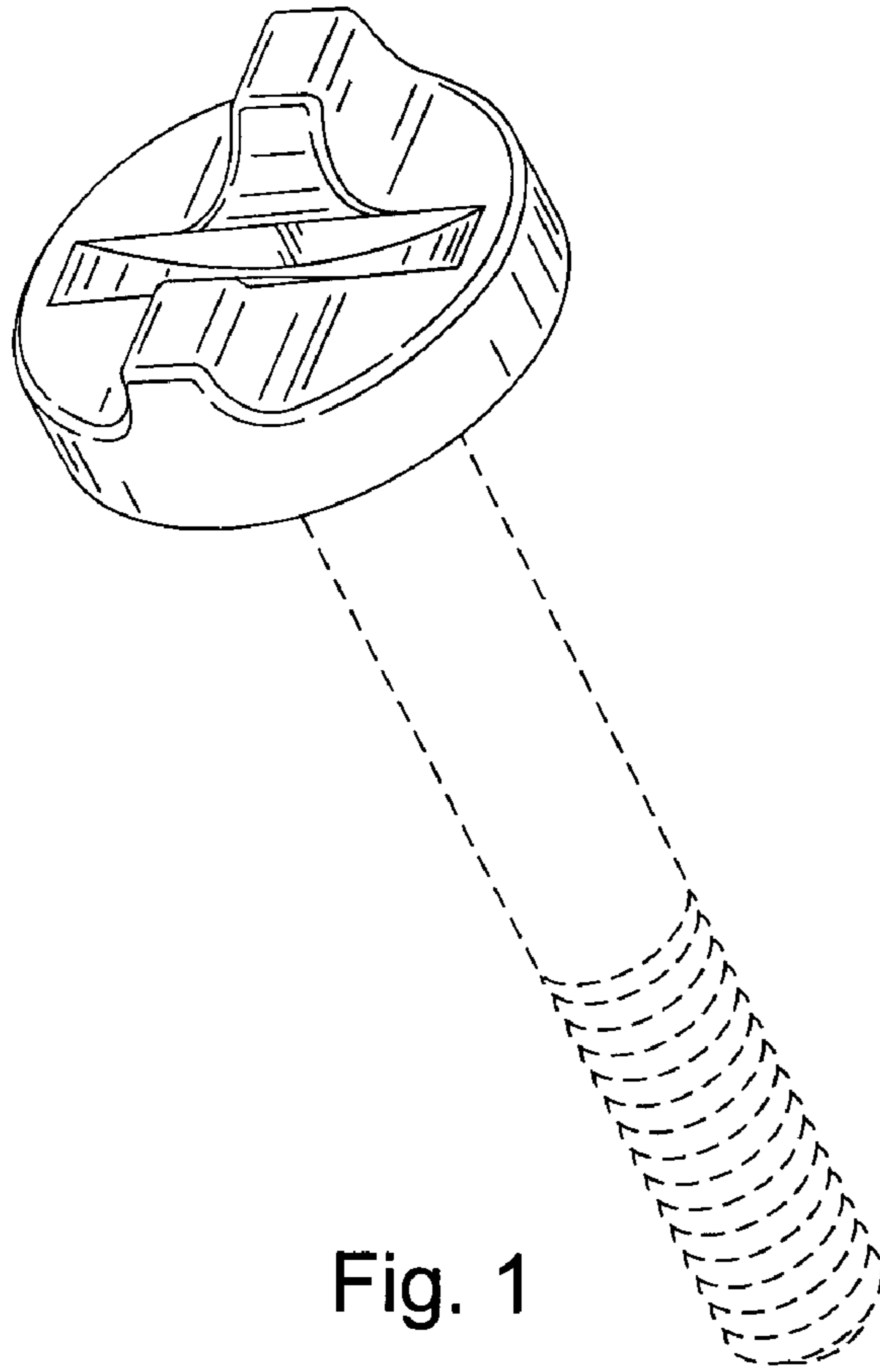


Fig. 1

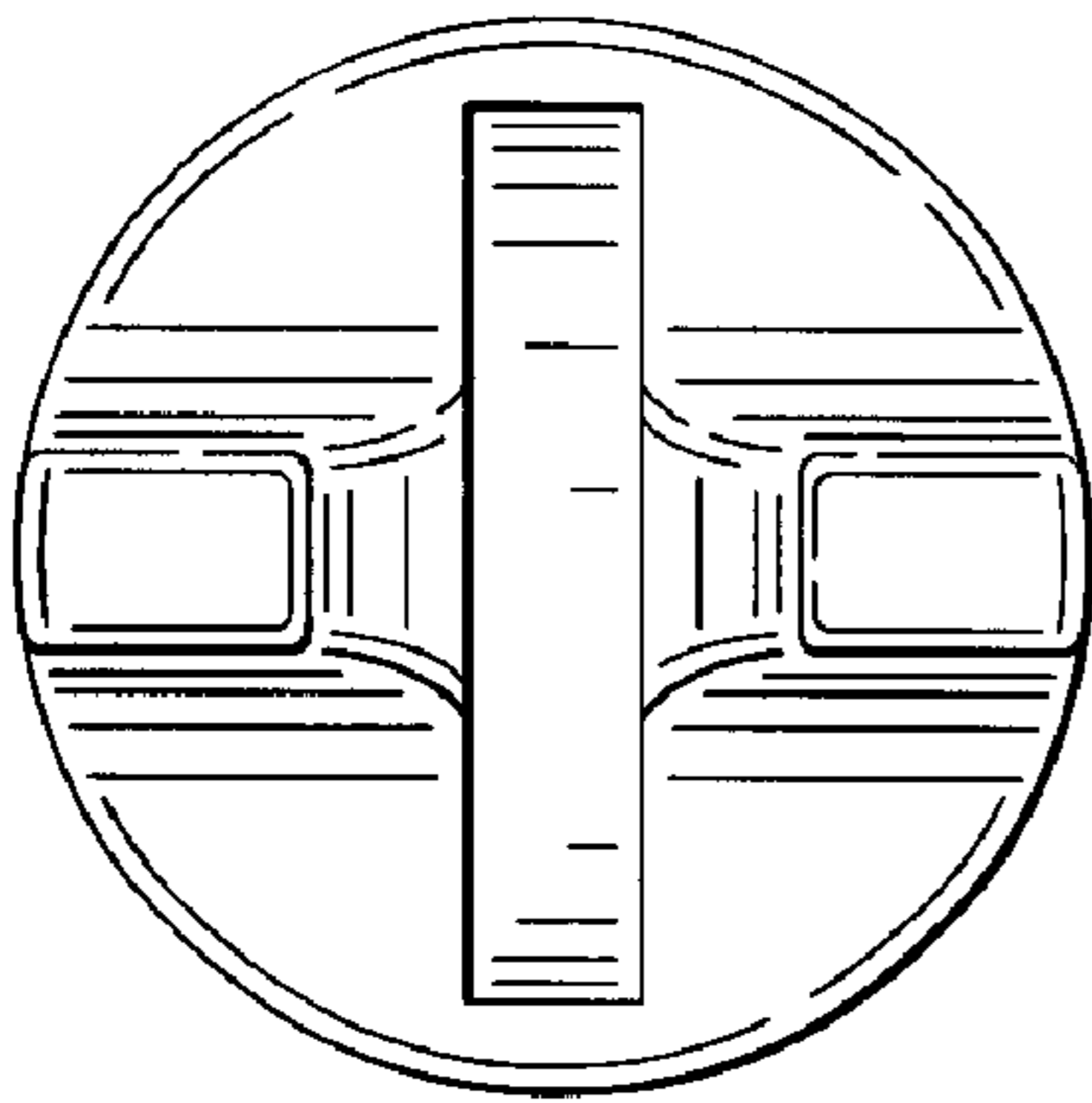


Fig. 2

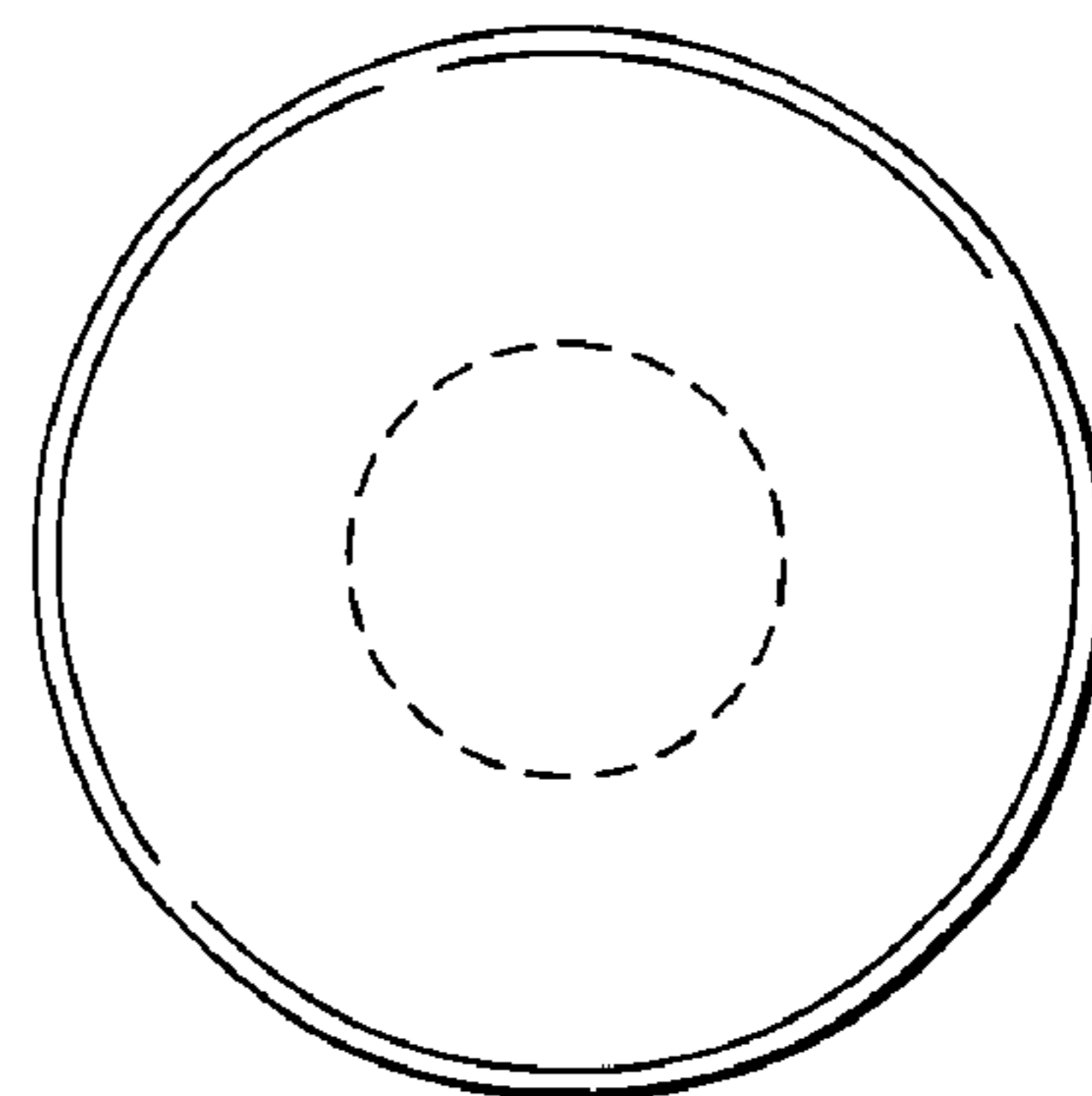


Fig. 3

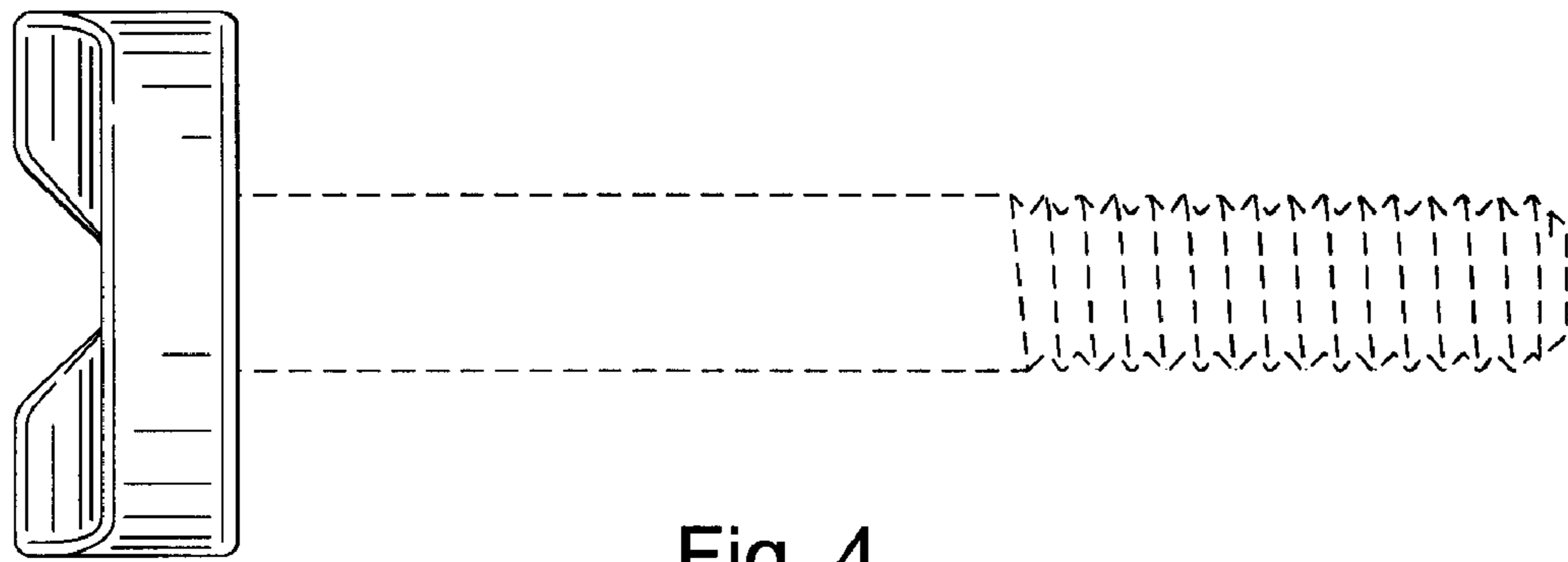


Fig. 4

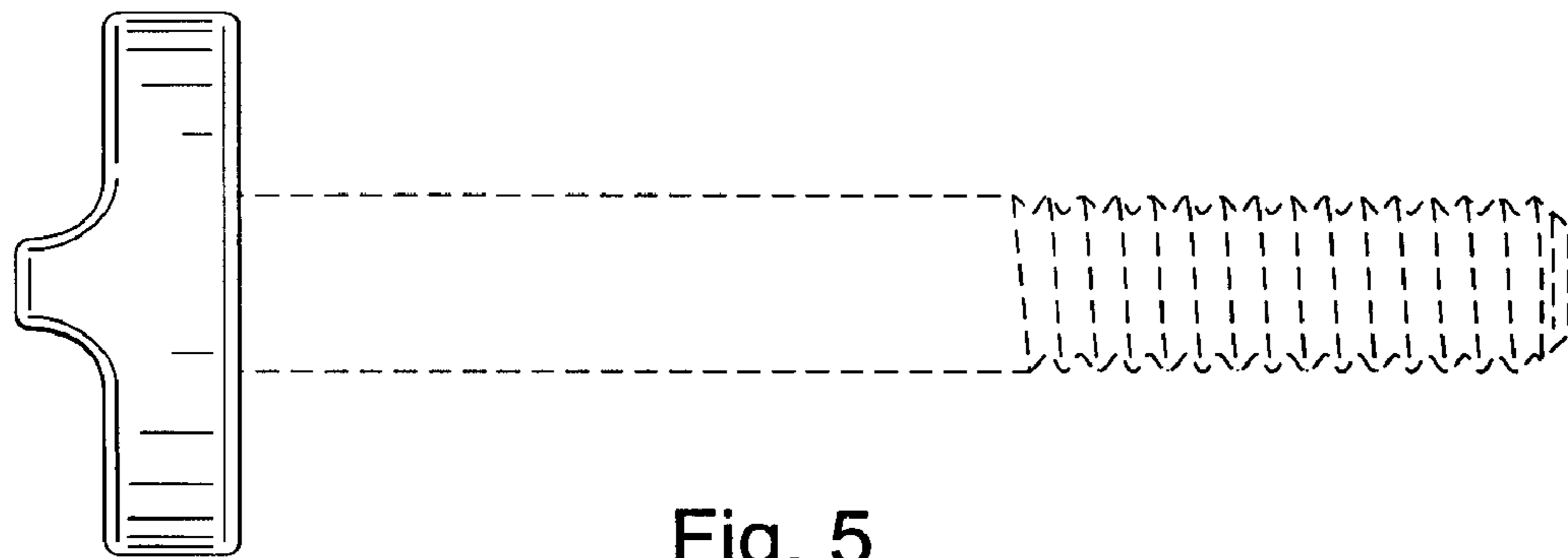


Fig. 5

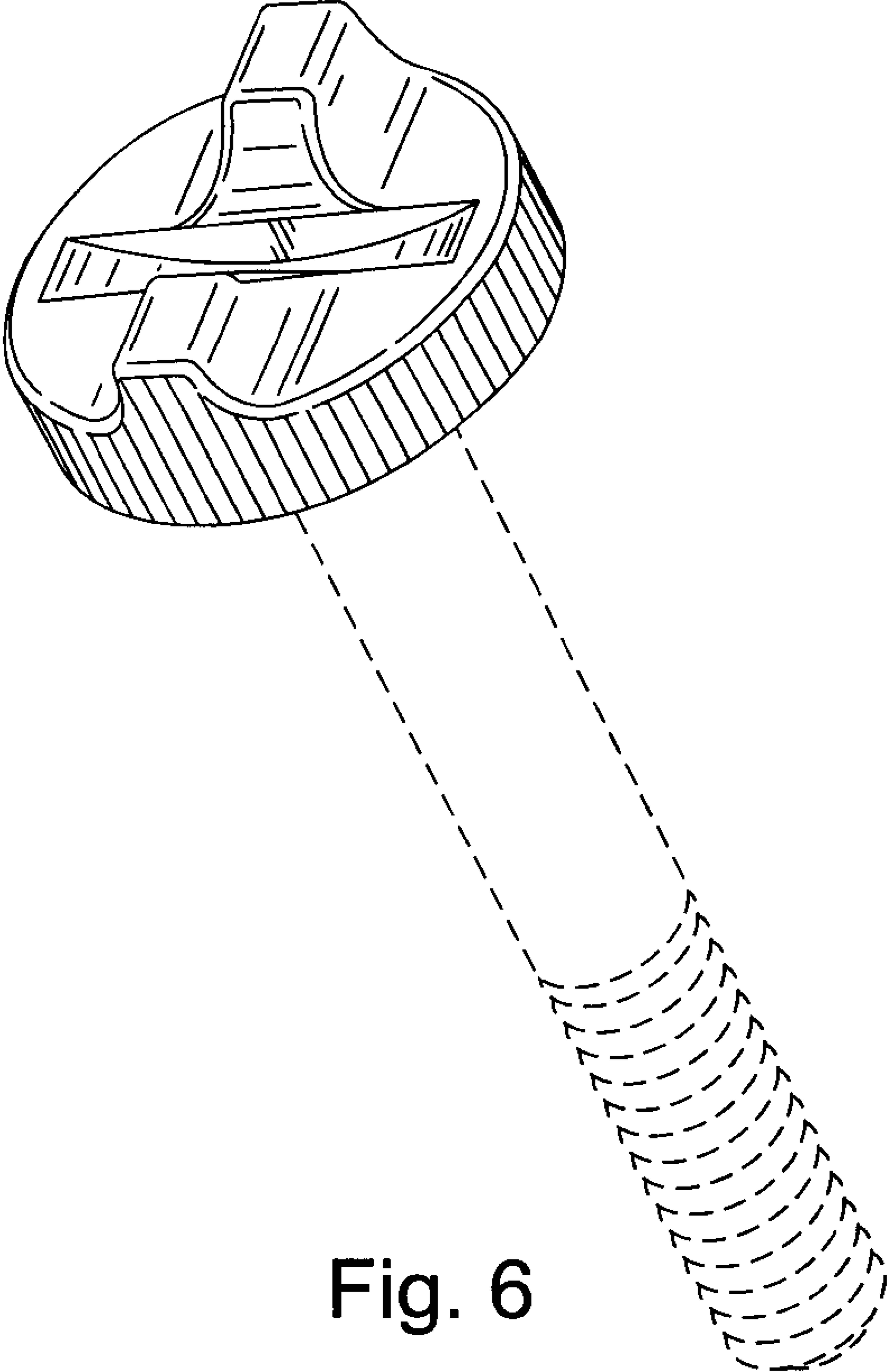


Fig. 6

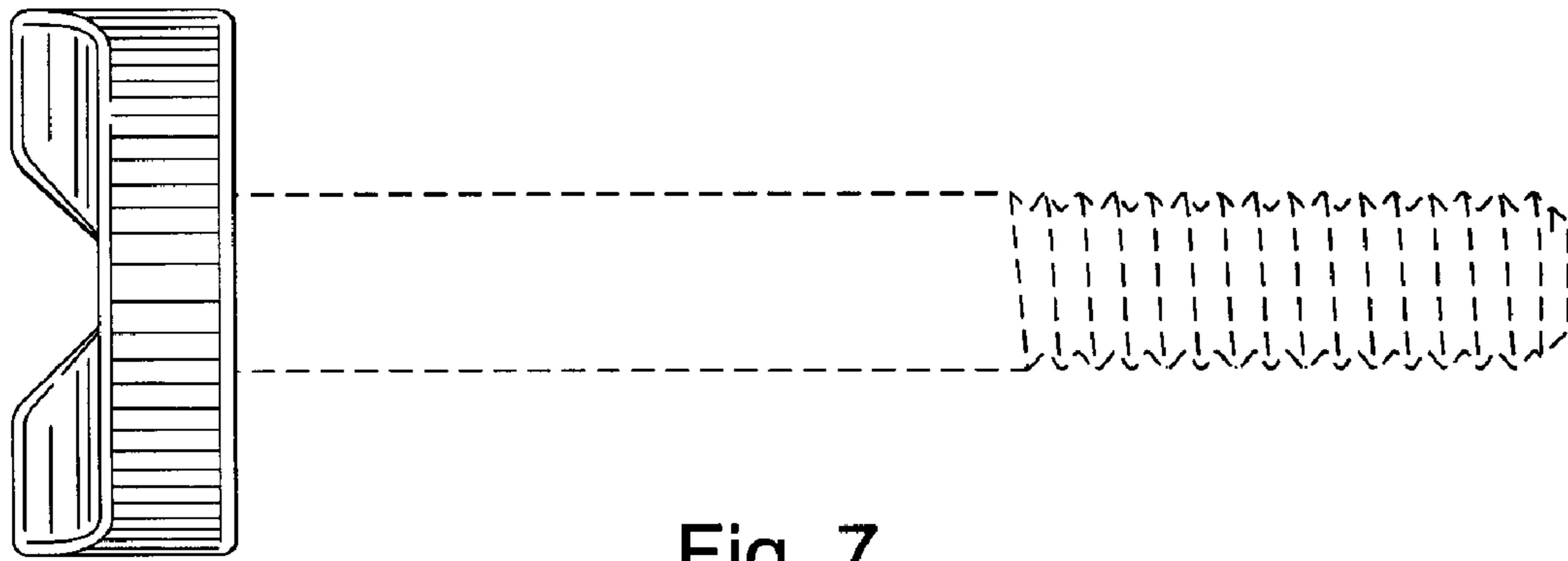


Fig. 7

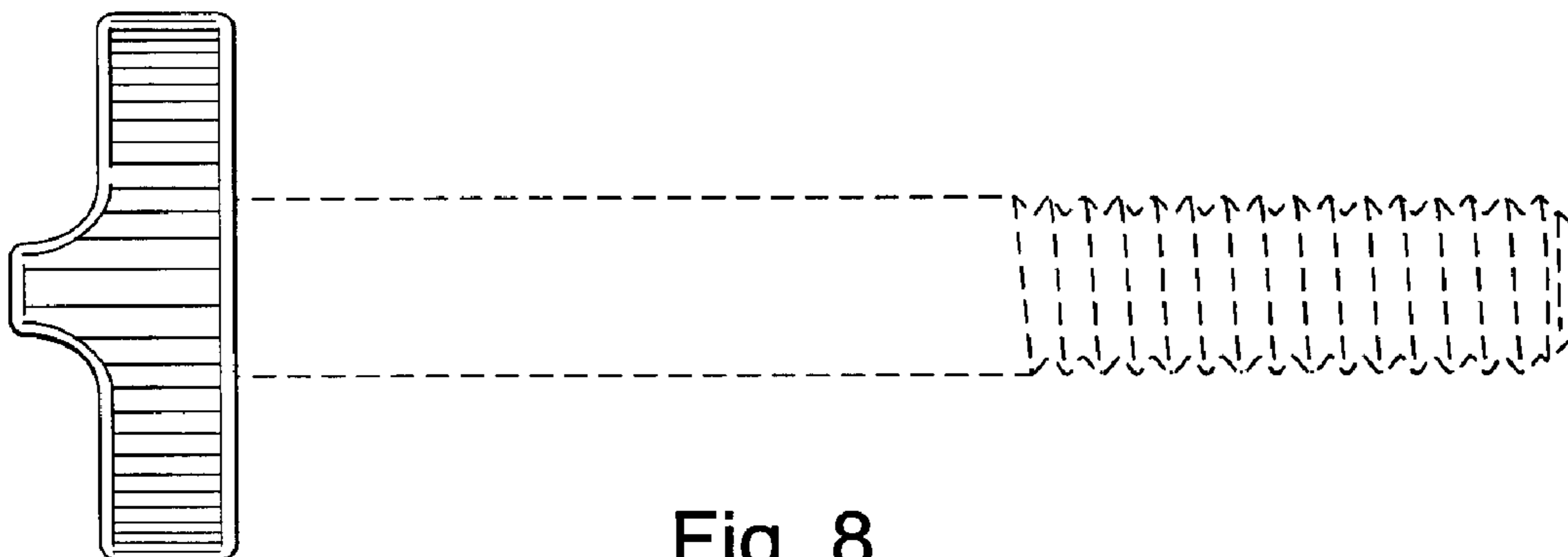


Fig. 8

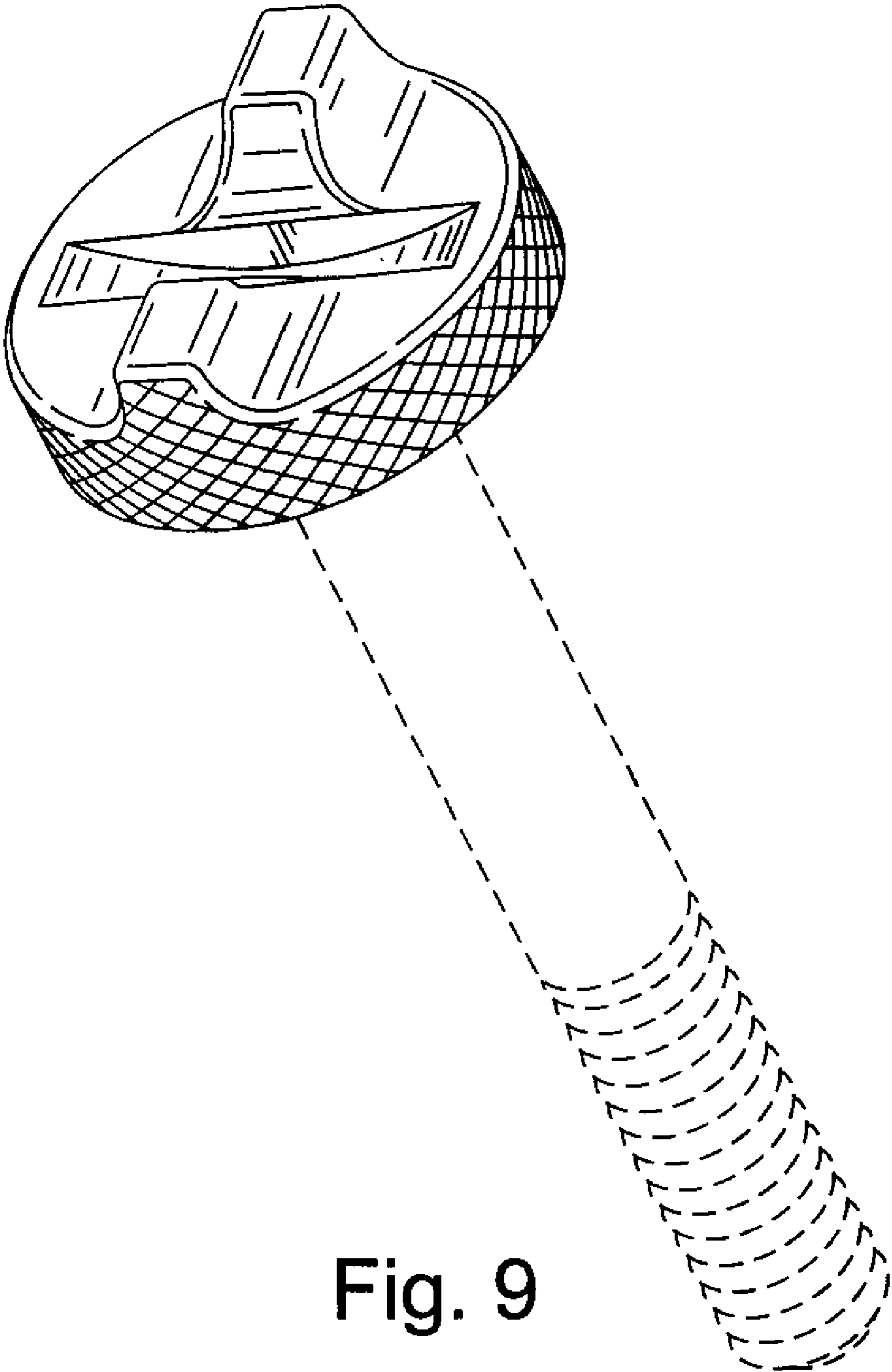


Fig. 9

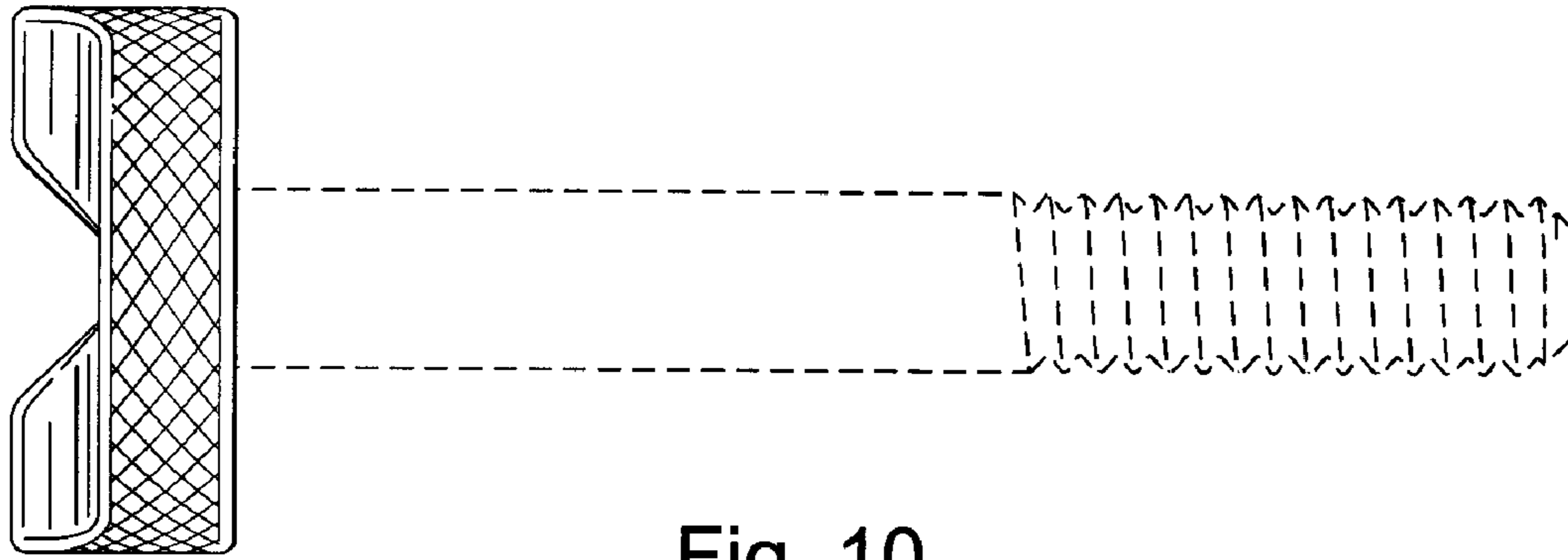


Fig. 10

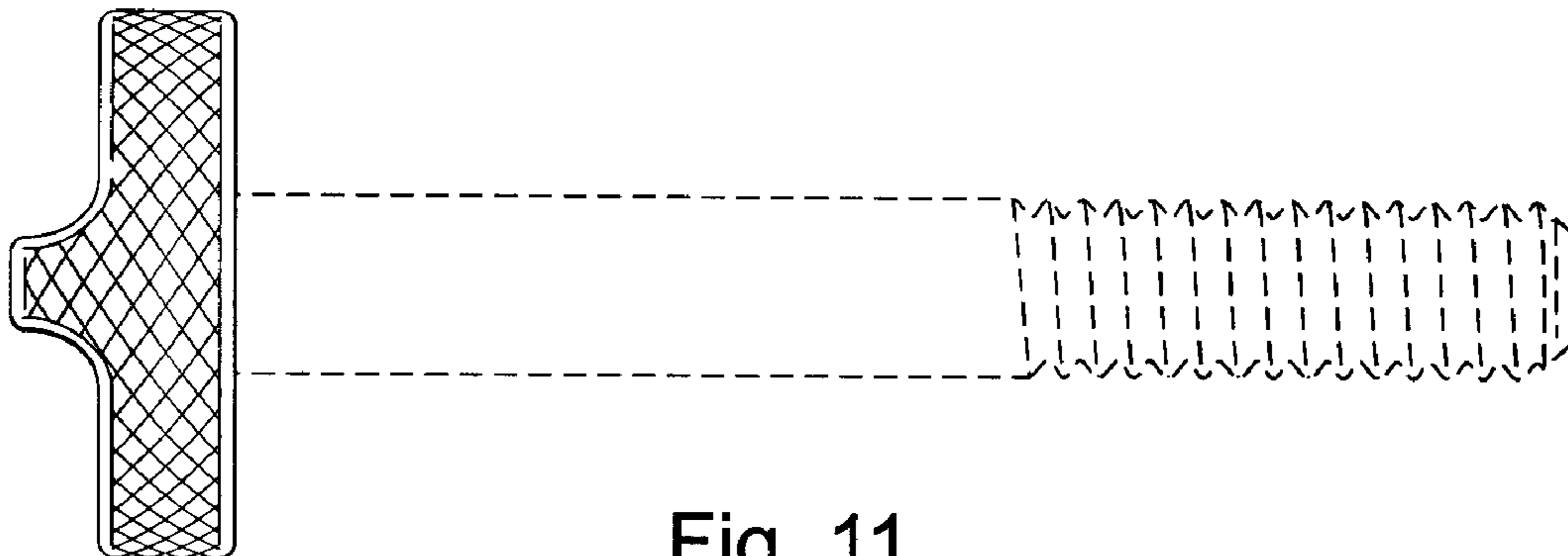


Fig. 11