

US00D543445S

(12) **United States Design Patent**
Latal et al.

(10) **Patent No.:** **US D543,445 S**

(45) **Date of Patent:** **** May 29, 2007**

(54) **CORDLOCK**

(75) Inventors: **James F. Latal**, Palatine, IL (US);
Richard J. Tracy, Elgin, IL (US);
Michael B. Grimm, Evanston, IL (US);
Bradley J. Haymond, Aurora, IL (US);
David A. Walsh, Providence, RI (US)

(73) Assignee: **Illinois Tool Works Inc**, Glenview, IL (US)

(**) Term: **14 Years**

(21) Appl. No.: **29/232,486**

(22) Filed: **Jun. 20, 2005**

(51) **LOC (8) Cl.** **08-08**

(52) **U.S. Cl.** **D8/383**

(58) **Field of Classification Search** D8/383;
24/112, 115 G, 136, 625
See application file for complete search history.

(56) **References Cited**

U.S. PATENT DOCUMENTS

D299,310 S	*	1/1989	Fildan	D8/356
D343,570 S	*	1/1994	Meier	D8/383
5,671,505 A	*	9/1997	Anscher	24/115 G
D402,190 S	*	12/1998	Anscher	D8/383
D417,388 S	*	12/1999	Kawahara	D8/383
6,018,851 A	*	2/2000	Anscher	24/115 G

6,038,746 A	*	3/2000	Anscher et al.	24/115 G
D430,484 S	*	9/2000	Ikeda	D8/383
D439,148 S	*	3/2001	Ishii	D8/383
D439,507 S	*	3/2001	Ikeda	D8/383
D481,300 S	*	10/2003	Nezu	D8/383
D481,301 S	*	10/2003	Nezu	D8/383

* cited by examiner

Primary Examiner—Holly H. Baynham

Assistant Examiner—Sheryl Friedman

(74) *Attorney, Agent, or Firm*—Mark W. Croll; Paul F. Donovan

(57) **CLAIM**

The ornamental design for a cordlock, as shown and described herein.

DESCRIPTION

FIG. 1 is a perspective view of a cordlock showing the new design;

FIG. 2 is a front view thereof;

FIG. 3 is a back view thereof;

FIG. 4 is a right side view thereof;

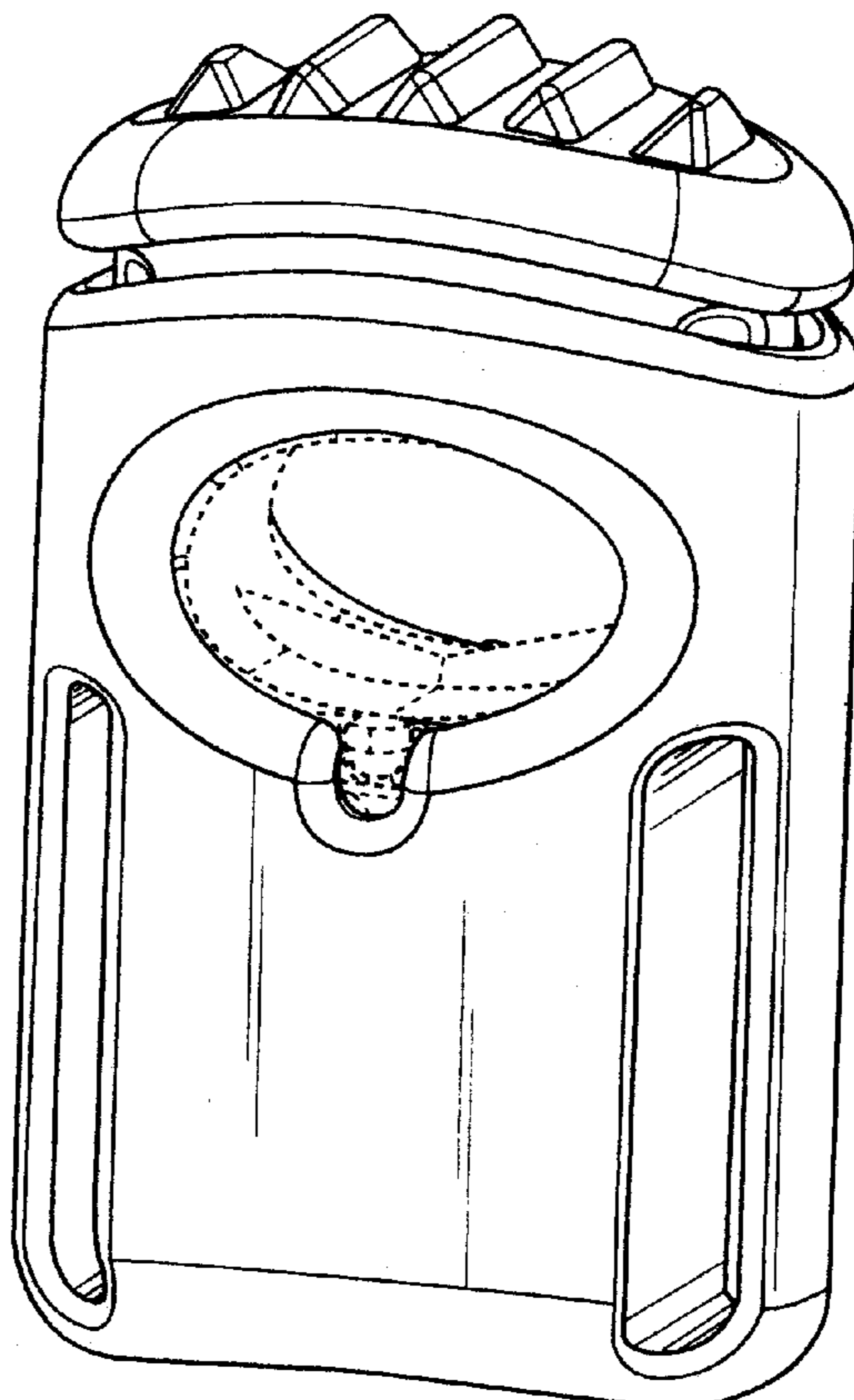
FIG. 5 is a left side view thereof;

FIG. 6 is a top view thereof; and,

FIG. 7 is a bottom view thereof.

The broken line portions of the disclosure are for illustrative purposes only and form no part of the claimed design.

1 Claim, 4 Drawing Sheets



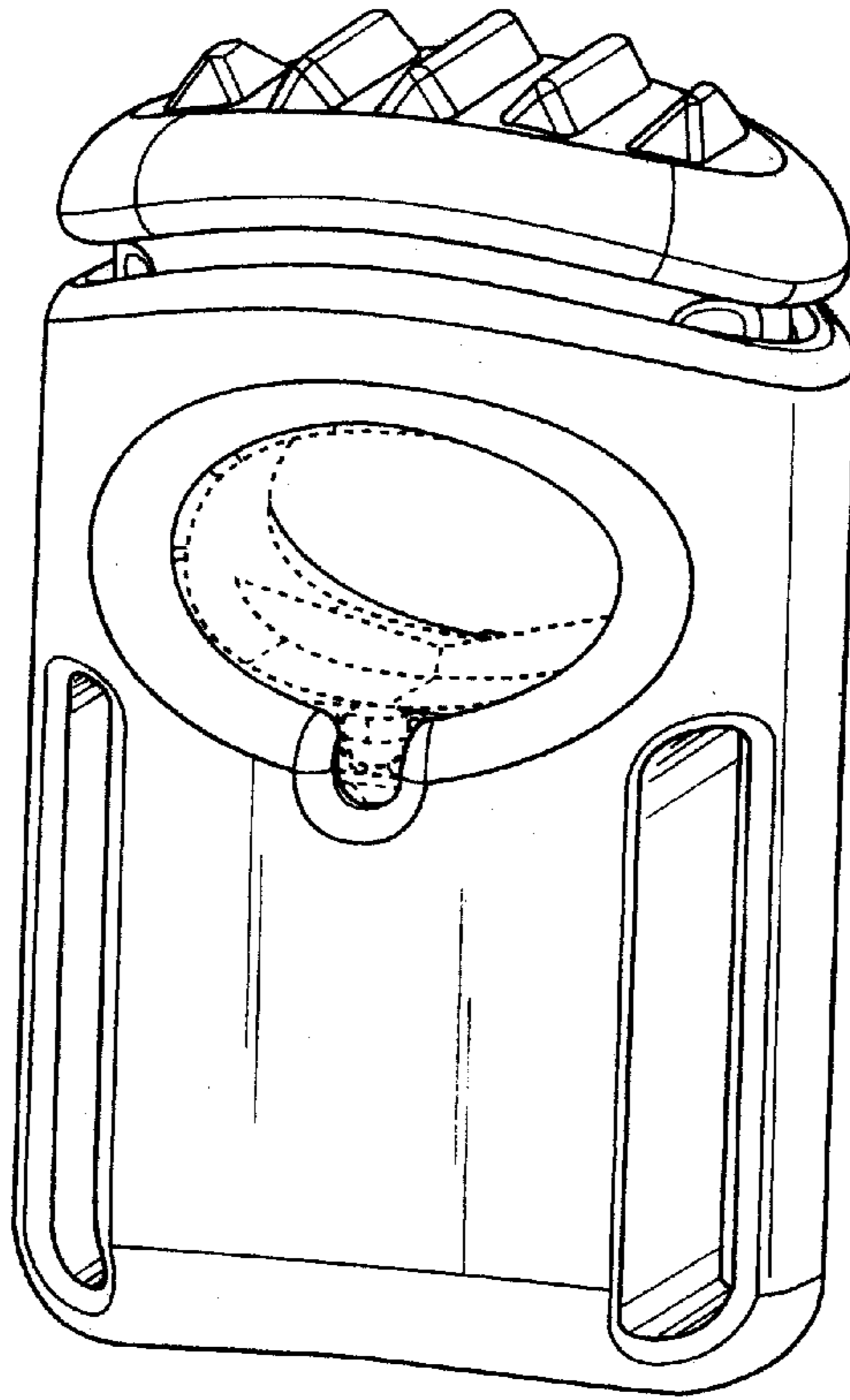


Fig. 1

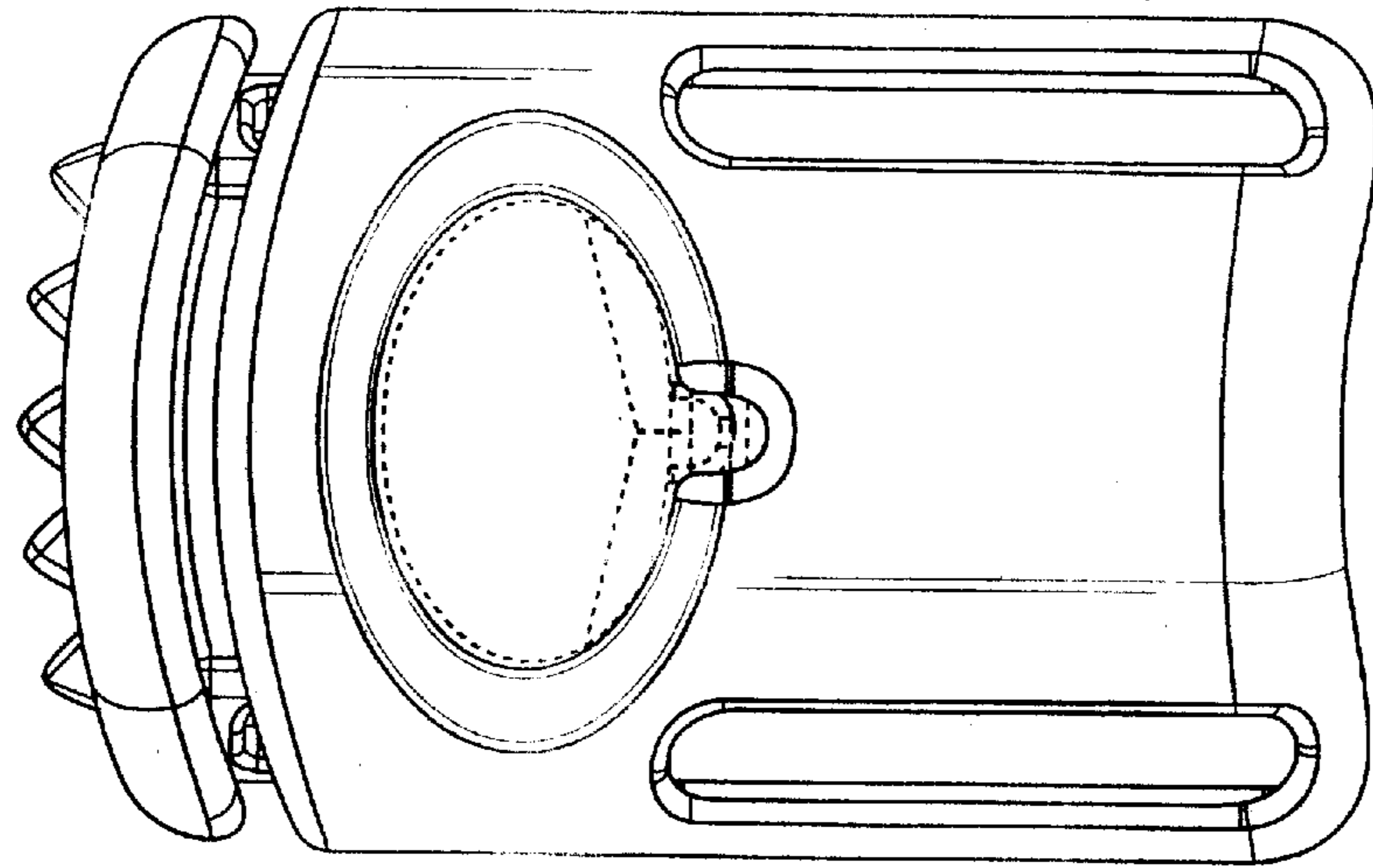


Fig. 2

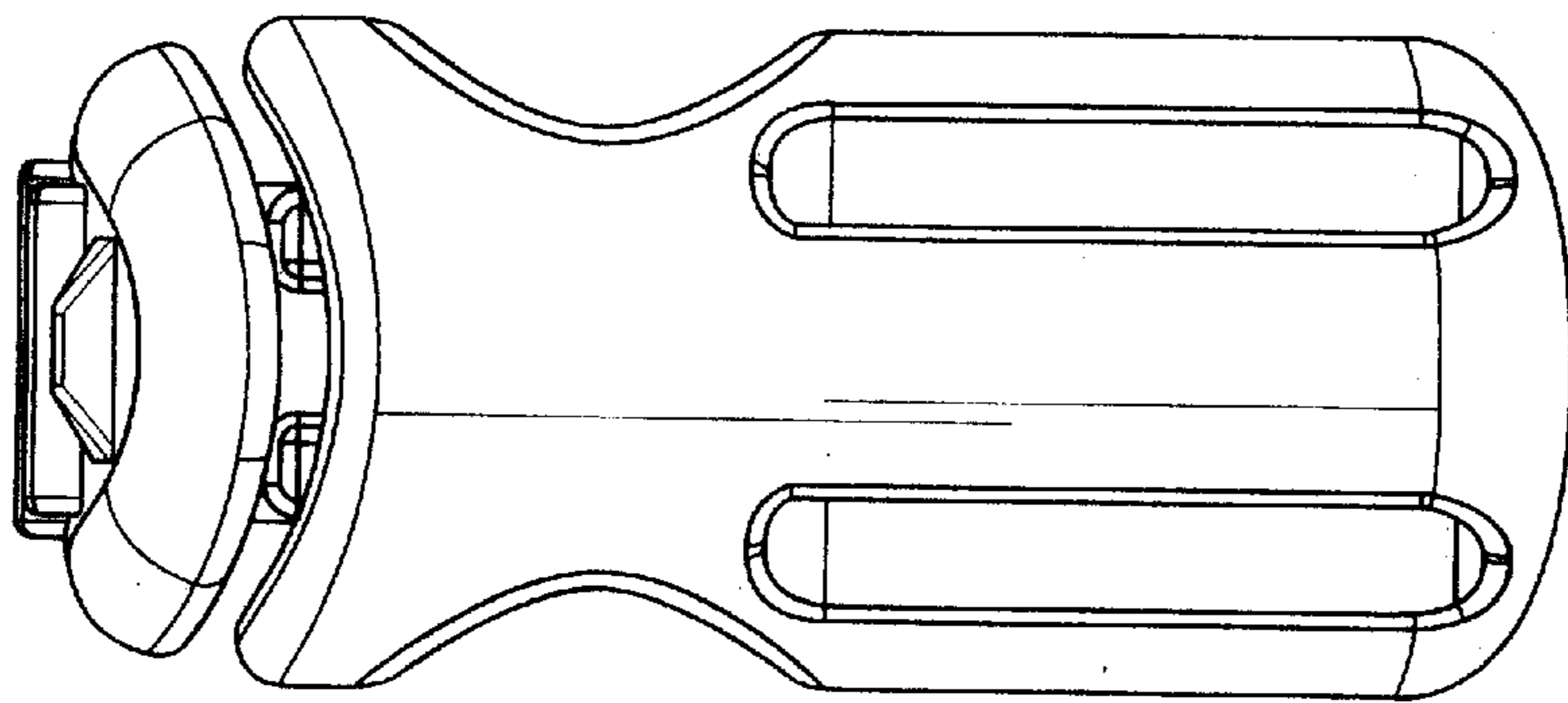


Fig. 4

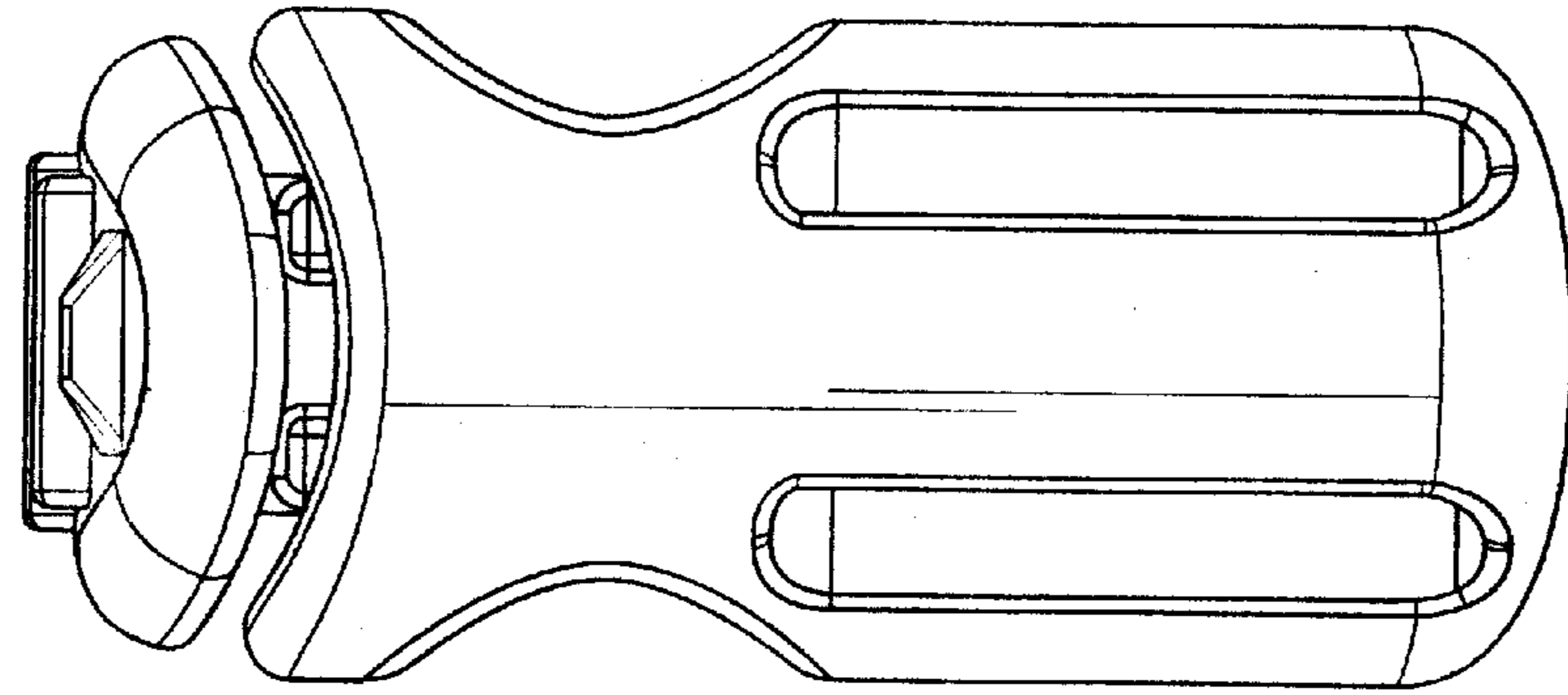


Fig. 5

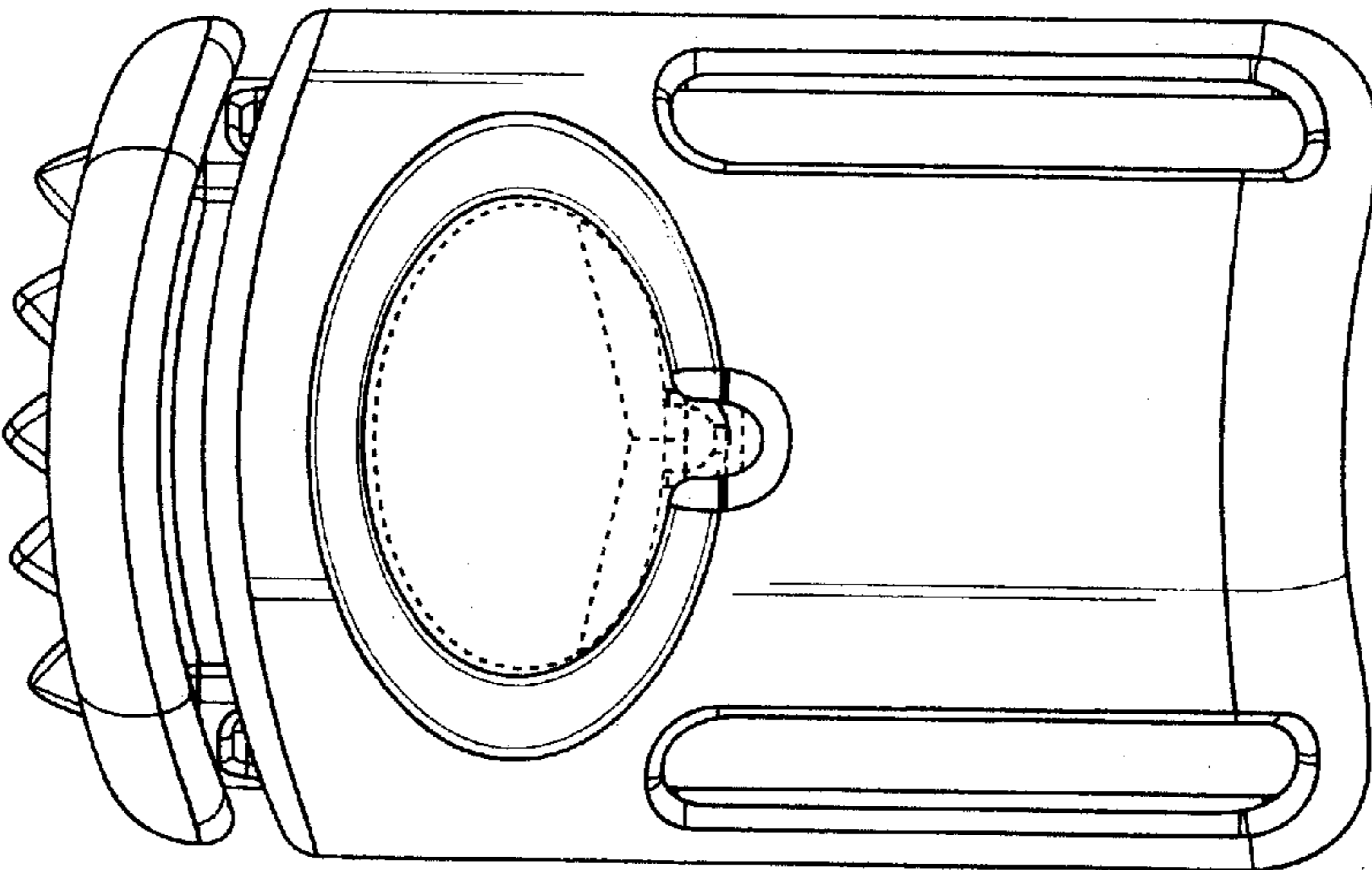


Fig. 3

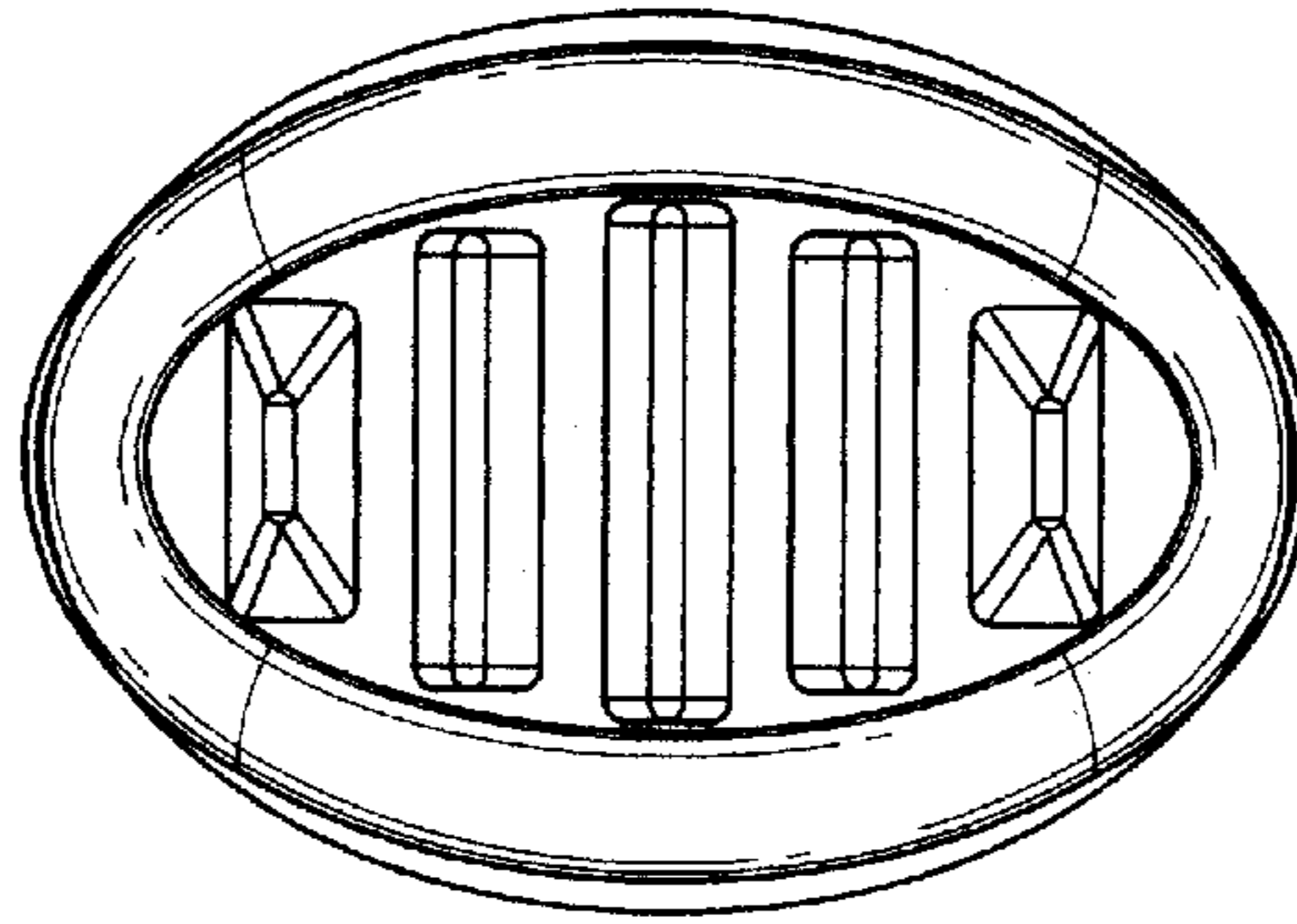


Fig. 6

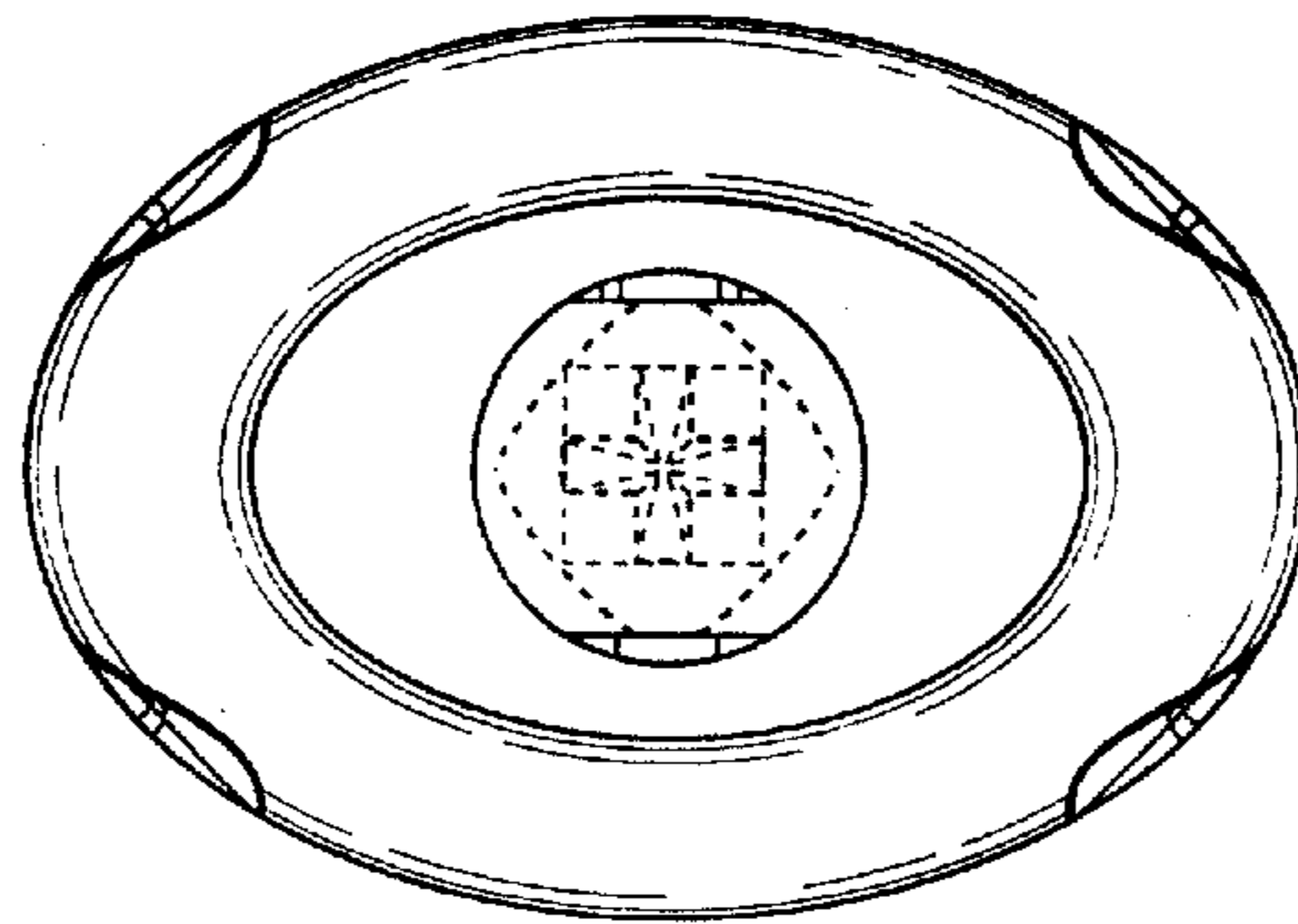


Fig. 7