



US00D543443S

(12) **United States Design Patent**
Nankervis

(10) **Patent No.:** **US D543,443 S**

(45) **Date of Patent:** **** May 29, 2007**

(54) **SUPPORT BRACKET**

D323,716 S * 2/1992 Shook et al. D25/127
D455,067 S * 4/2002 Shea D8/373

(75) Inventor: **Peter Bruce Nankervis**, Alstonville
(AU)

FOREIGN PATENT DOCUMENTS

(73) Assignee: **Cablestik Pty Ltd**, New South Wales
(AU)

AU 54665/96 4/1997
AU 200237018 10/2002
GB 934767 8/1963

(**) Term: **14 Years**

* cited by examiner

(21) Appl. No.: **29/227,635**

Primary Examiner—Holly H. Baynham

(22) Filed: **Apr. 14, 2005**

(74) *Attorney, Agent, or Firm*—King & Schickli, PLLC

(51) **LOC (8) Cl.** **08-05**

(52) **U.S. Cl.** **D8/380**

(58) **Field of Classification Search** D8/380-381,
D8/373; 211/90.01; 248/235, 237, 245, 247,
248/250, 145

(57) **CLAIM**

The ornamental design for a support bracket, as shown and described.

See application file for complete search history.

DESCRIPTION

FIG. 1 is a top plan view of a support bracket showing my new design;

(56) **References Cited**

U.S. PATENT DOCUMENTS

2,605,073 A * 7/1952 Buck 248/145
2,833,503 A * 5/1958 Harshbarger et al. 248/235
3,270,997 A * 9/1966 Gethmann 248/235
4,172,579 A 10/1979 Steinman

FIG. 2 is a first end view thereof;

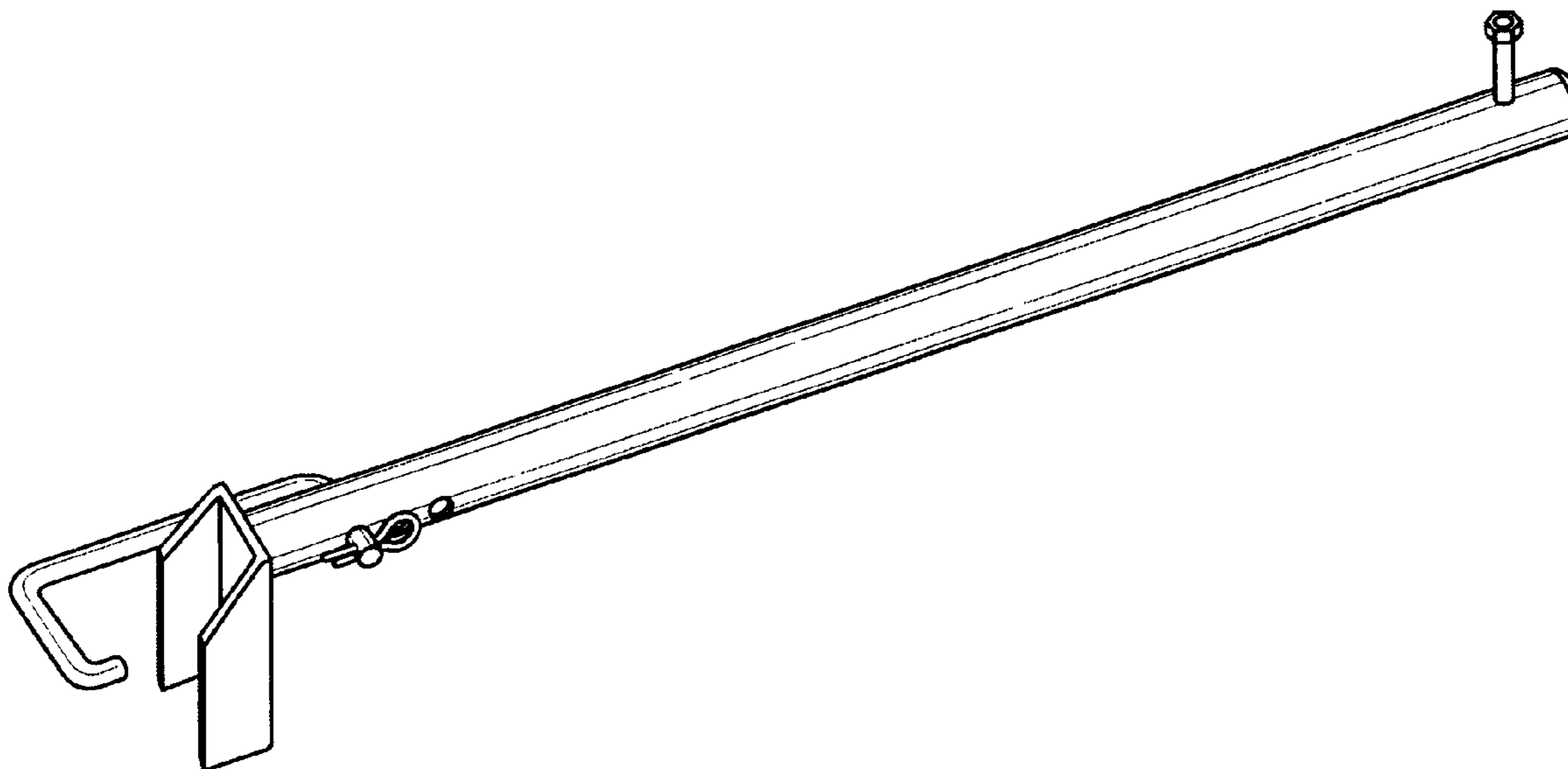
FIG. 3 is a second end view thereof;

FIG. 4 is a side view thereof;

FIG. 5 is a bottom view thereof; and,

FIG. 6 is an isometric view thereof.

1 Claim, 2 Drawing Sheets



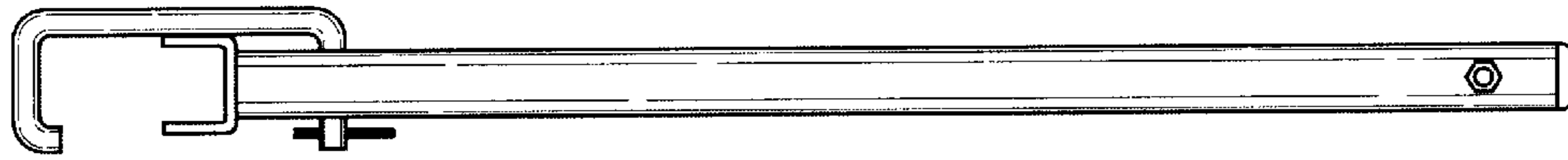


FIG. 1

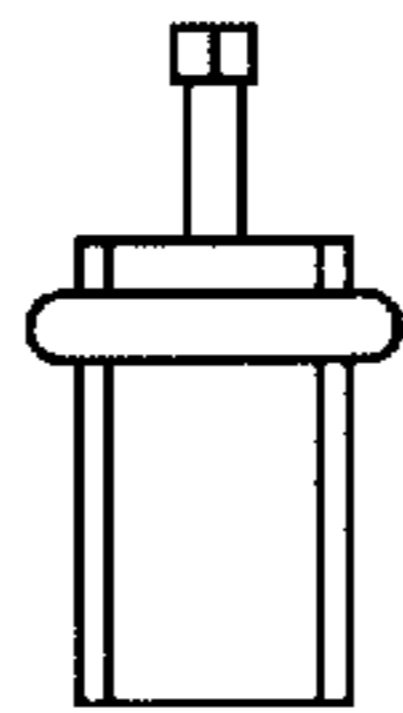


FIG. 2

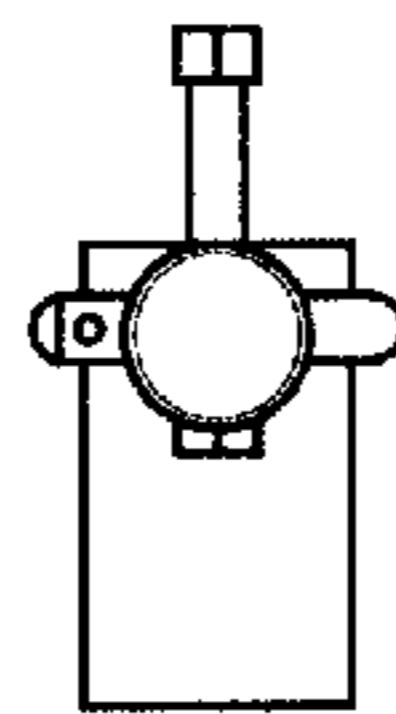


FIG. 3

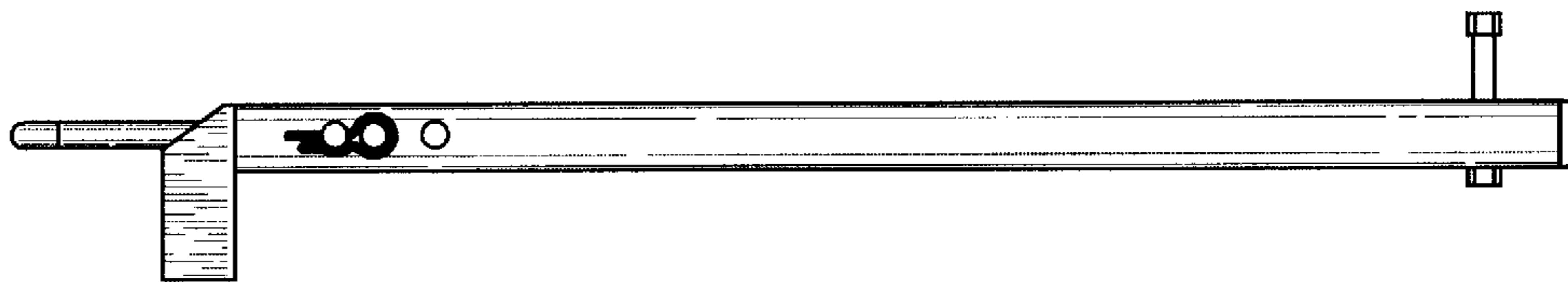


FIG. 4

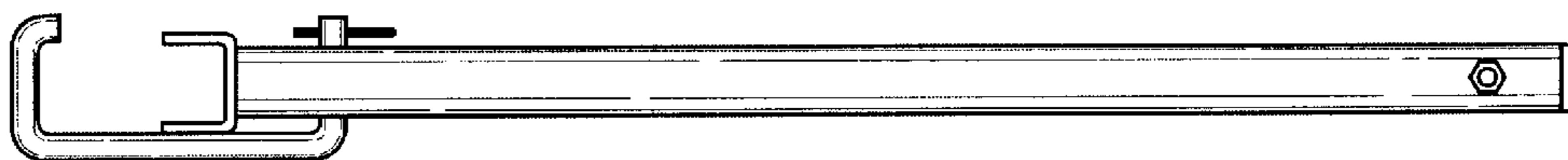


FIG. 5

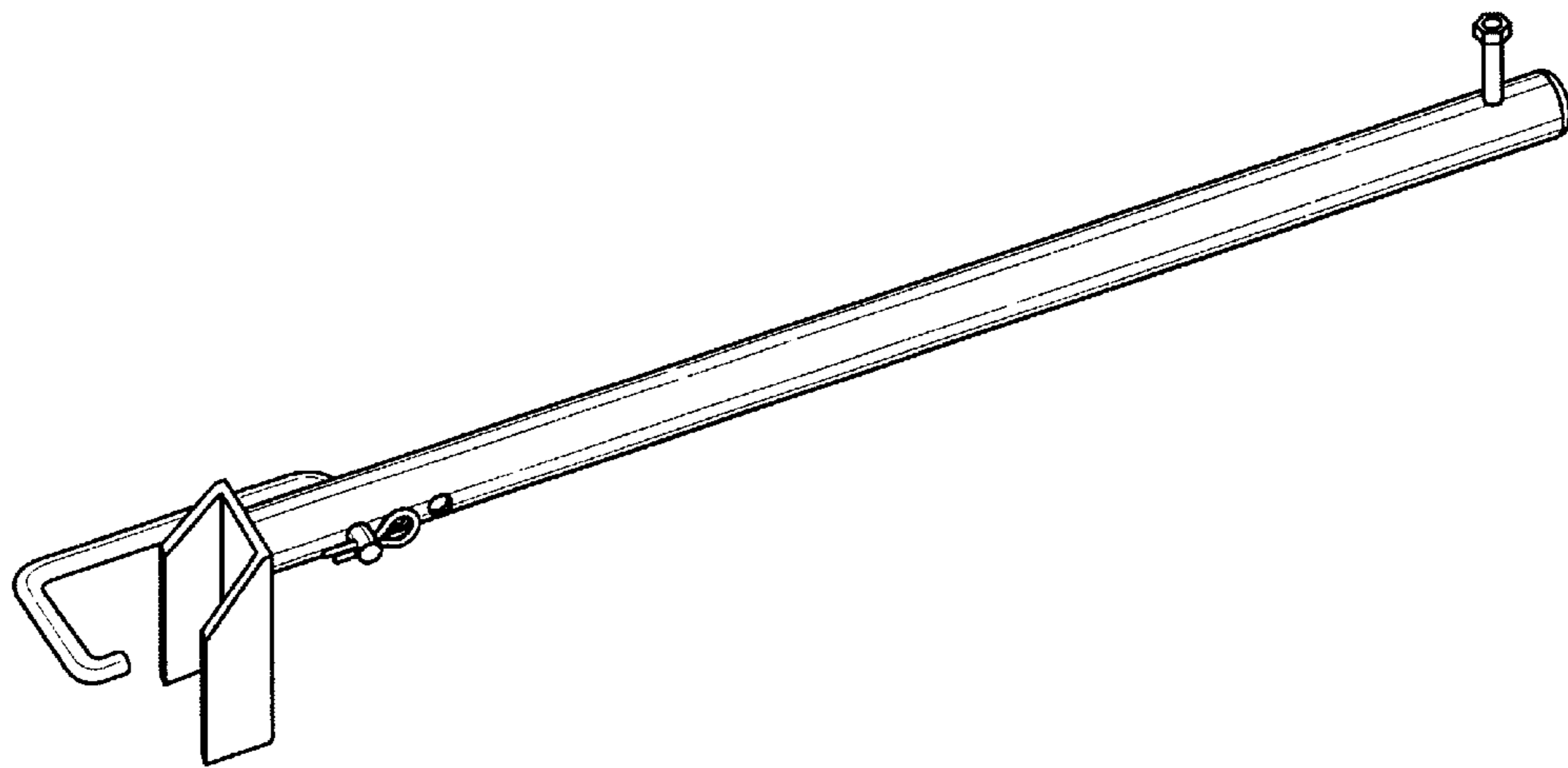


FIG. 6