

US00D543439S

(12) **United States Design Patent**
Brassard

(10) **Patent No.:** **US D543,439 S**

(45) **Date of Patent:** **** May 29, 2007**

(54) **PEDESTAL MOUNT**

6,749,160 B1 * 6/2004 Richter 248/206.2

(76) Inventor: **Paul Brassard**, 20 La Porte, Arcadia,
CA (US) 91006

* cited by examiner

Primary Examiner—Holly H. Baynham

(74) *Attorney, Agent, or Firm*—James E. Brunton, Esq.

(**) Term: **14 Years**

(57) **CLAIM**

(21) Appl. No.: **29/225,093**

The ornamental design for “pedestal mount,” as shown.

(22) Filed: **Mar. 8, 2005**

DESCRIPTION

(51) **LOC (8) Cl.** **08-05**

FIG. 1 is a perspective front view of a “pedestal mount” showing my new design;

(52) **U.S. Cl.** **D8/363; D8/373**

FIG. 2 is a generally perspective rear view thereof;

(58) **Field of Classification Search** D8/363,

FIG. 3 is a front view thereof;

D8/373, 354; D14/251, 253; 248/274.1

FIG. 4 is a rear view thereof;

See application file for complete search history.

FIG. 5 is a left side view thereof;

(56) **References Cited**

FIG. 6 is a right side view thereof;

U.S. PATENT DOCUMENTS

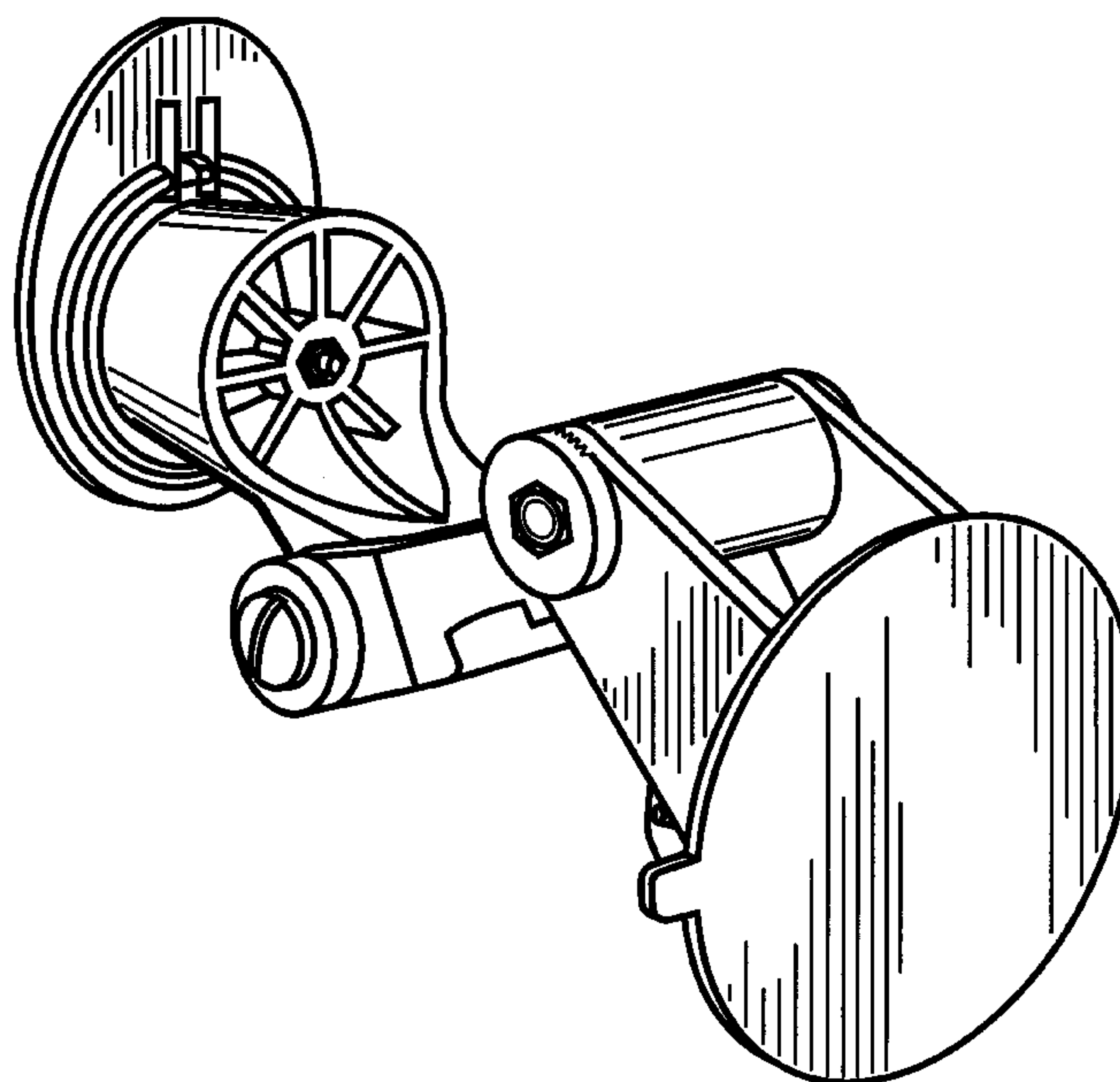
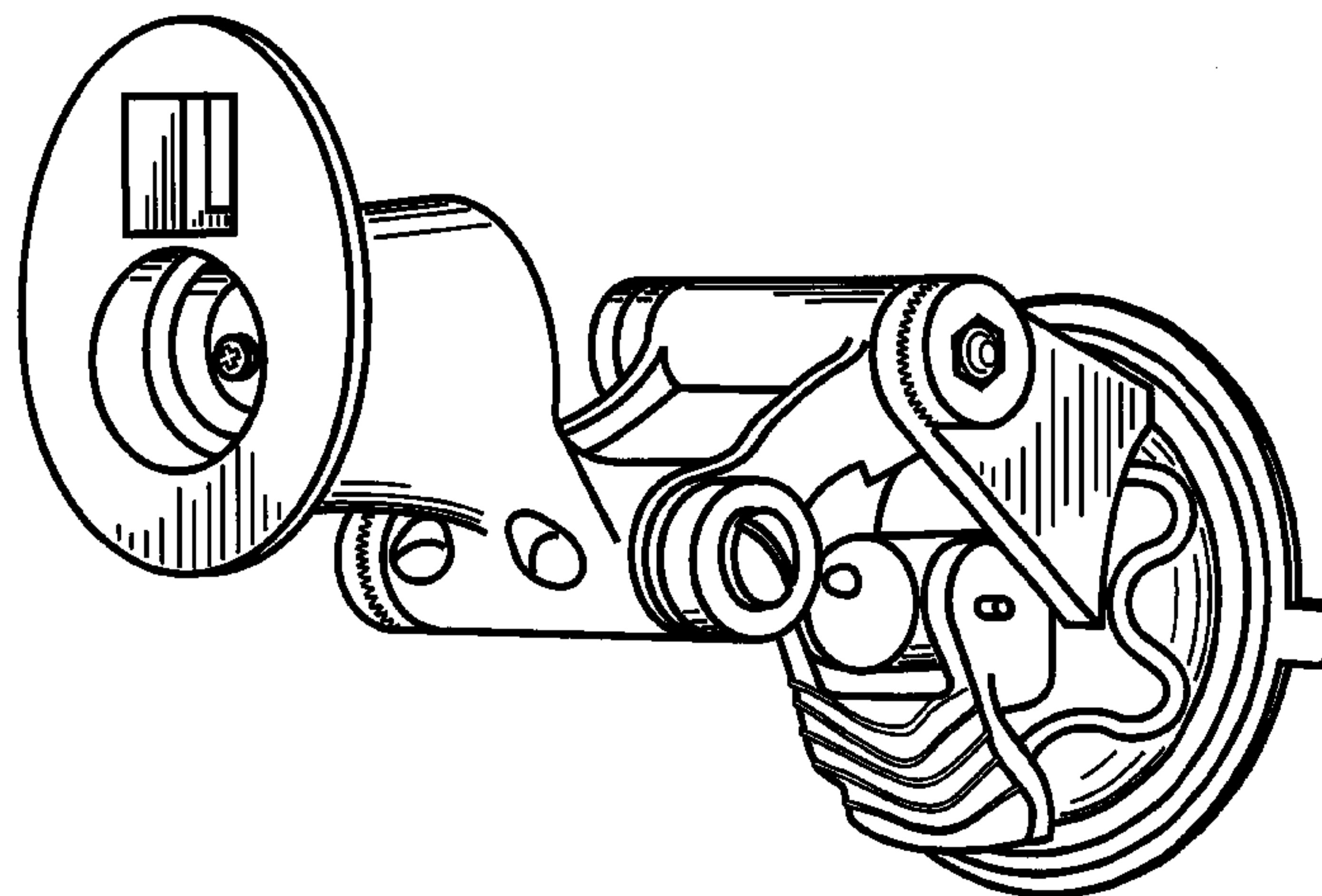
FIG. 7 is a bottom plan view thereof; and,

FIG. 8 is a top plan view thereof.

D410,622 S * 6/1999 Richter D12/425

D488,708 S * 4/2004 Lam et al. D8/363

1 Claim, 4 Drawing Sheets



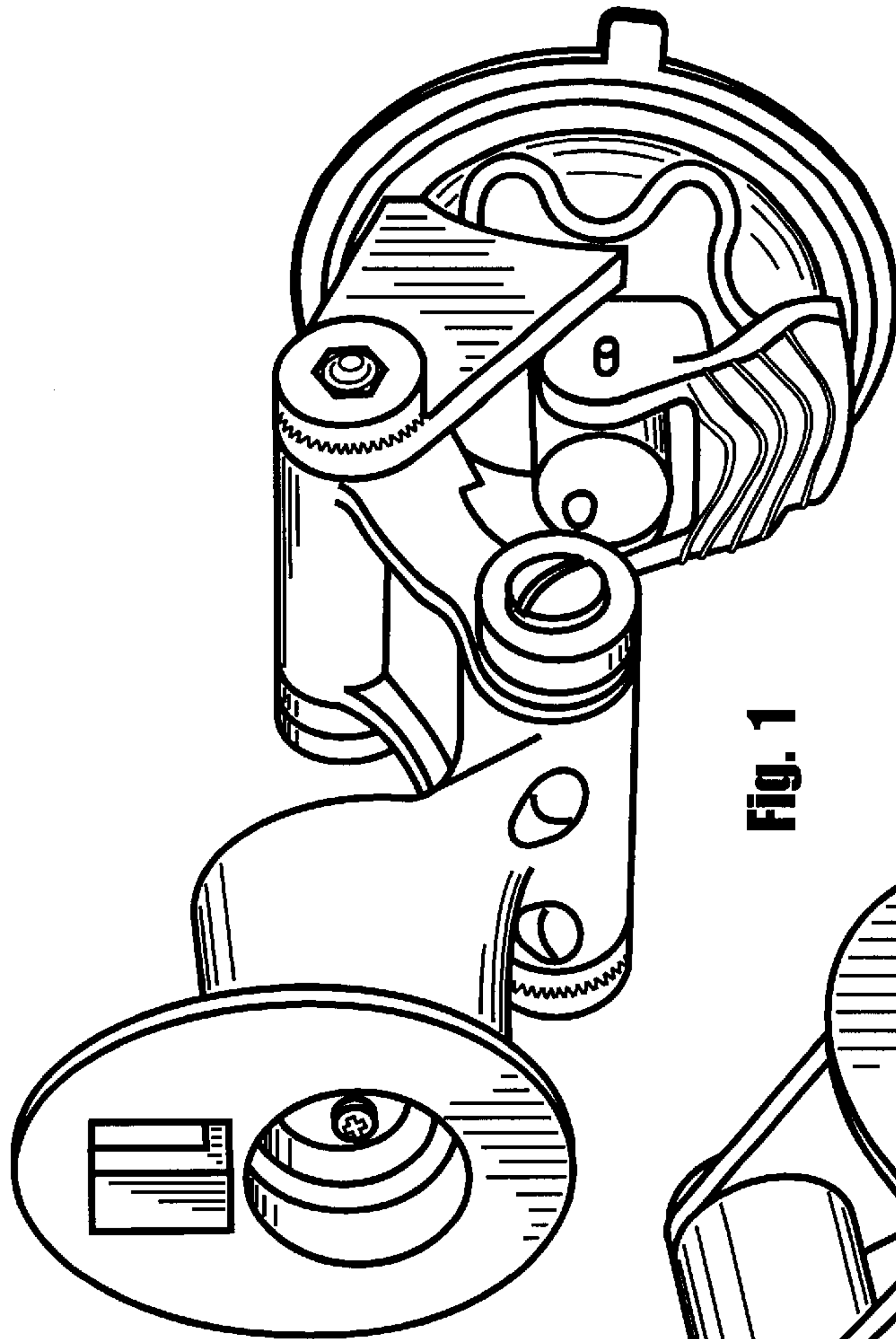


Fig. 1

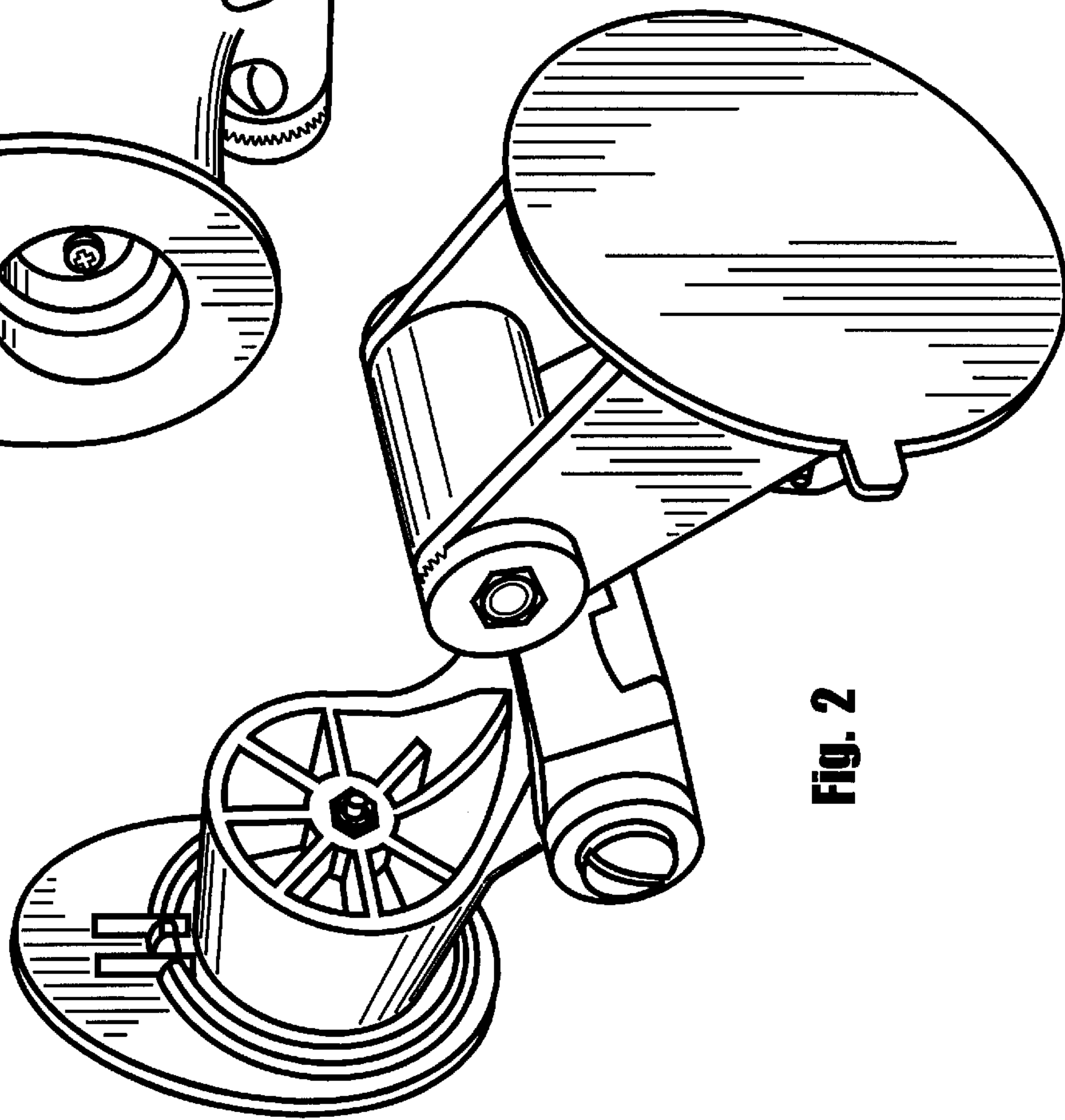


Fig. 2

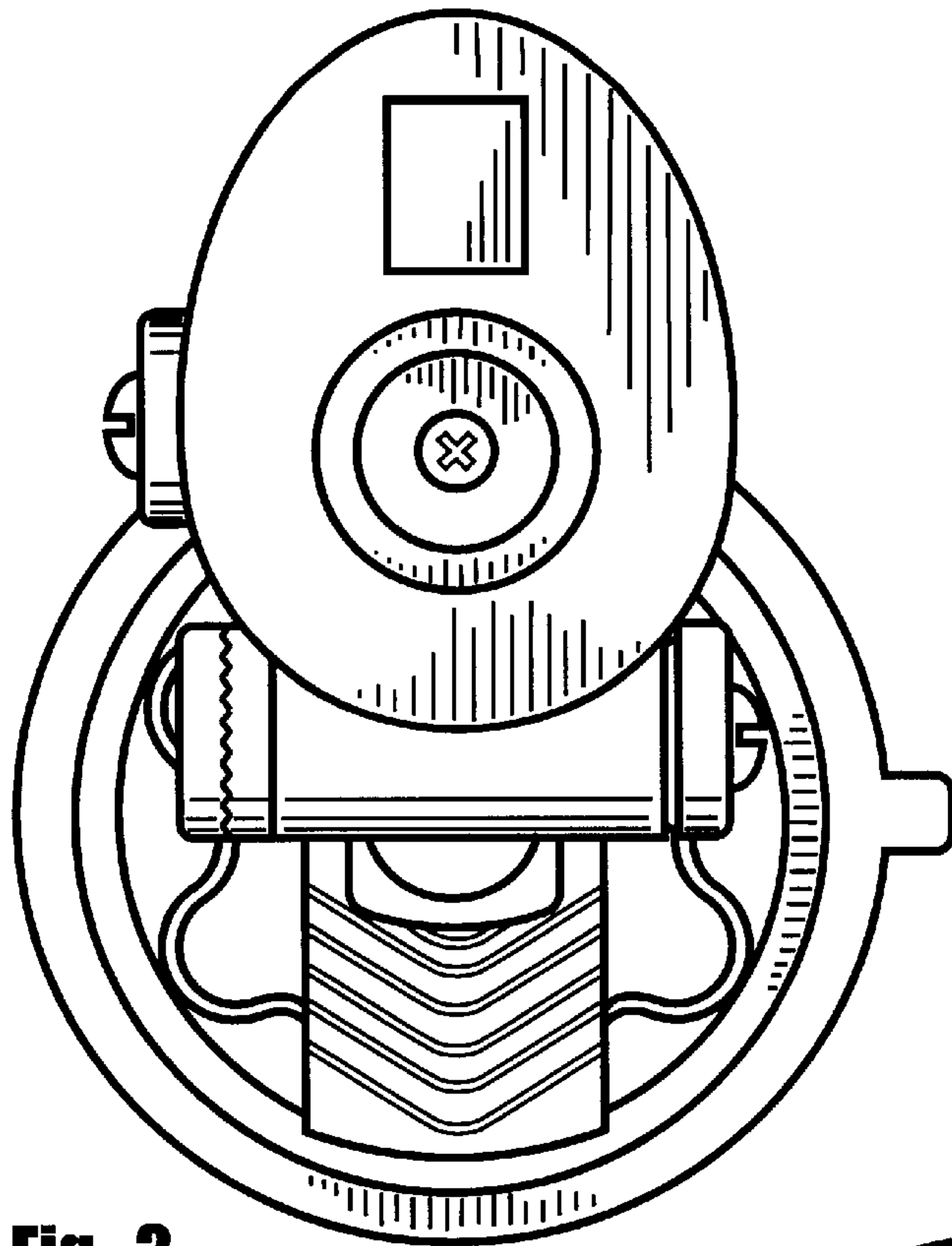


Fig. 3

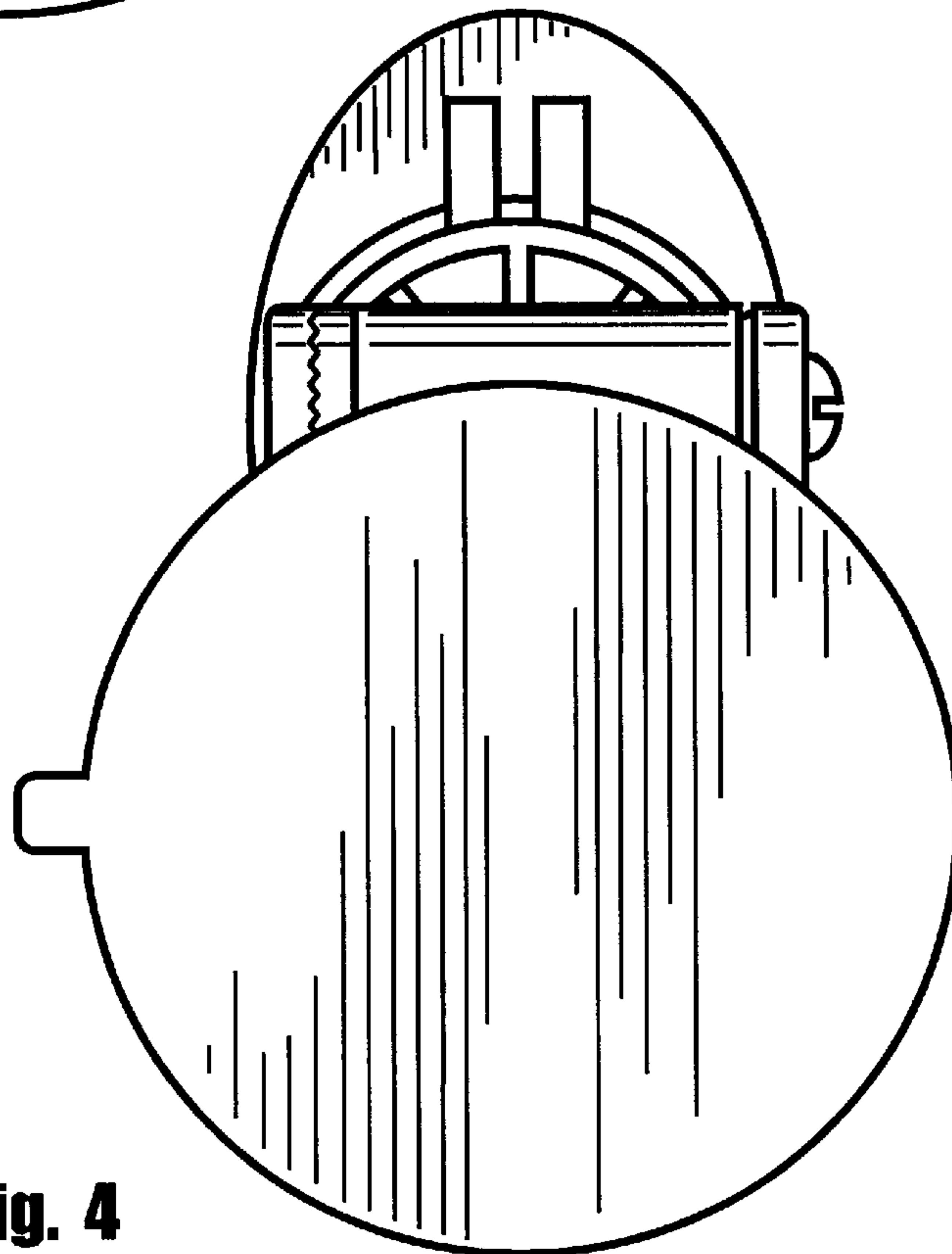


Fig. 4

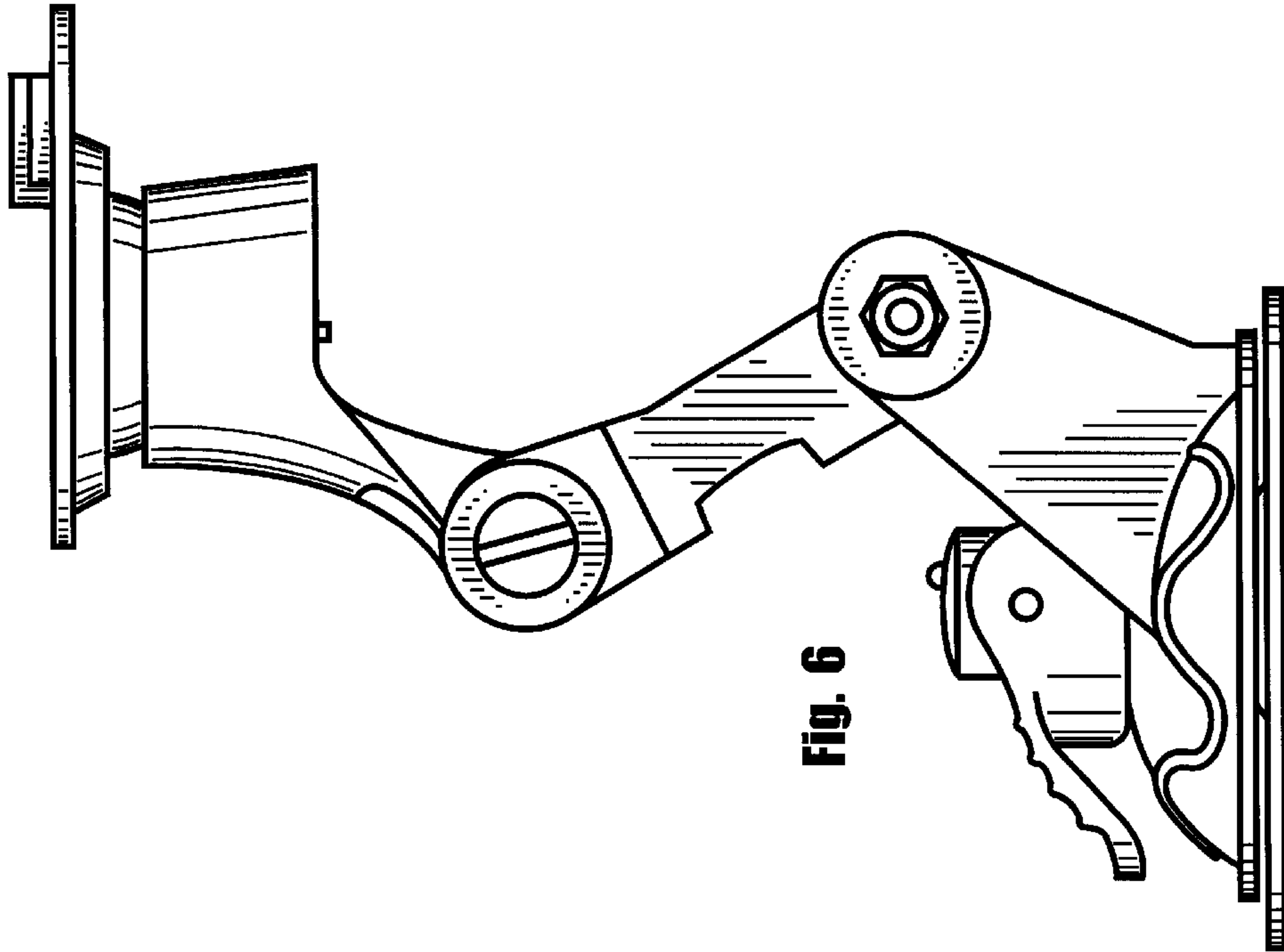


Fig. 6

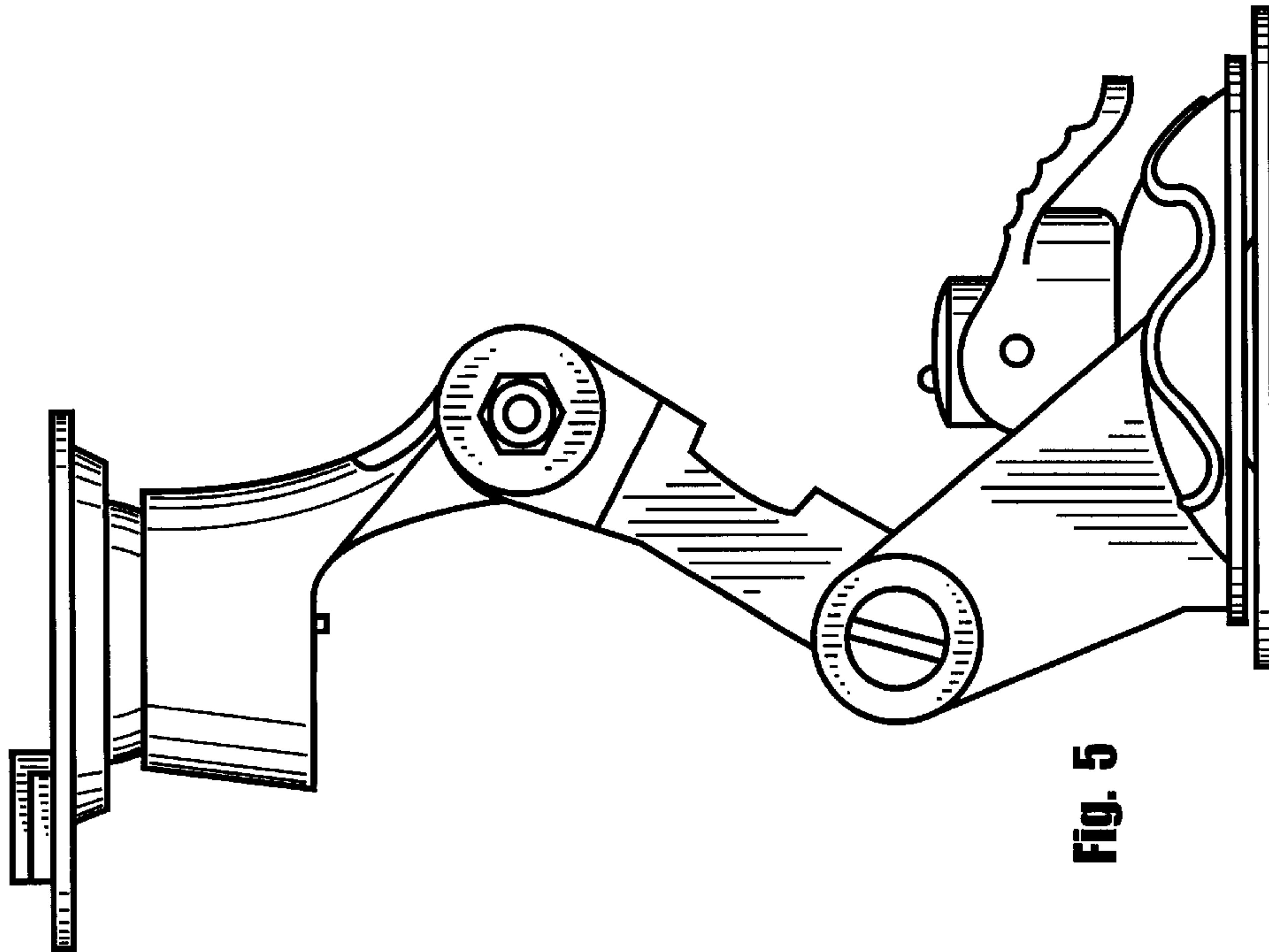


Fig. 5

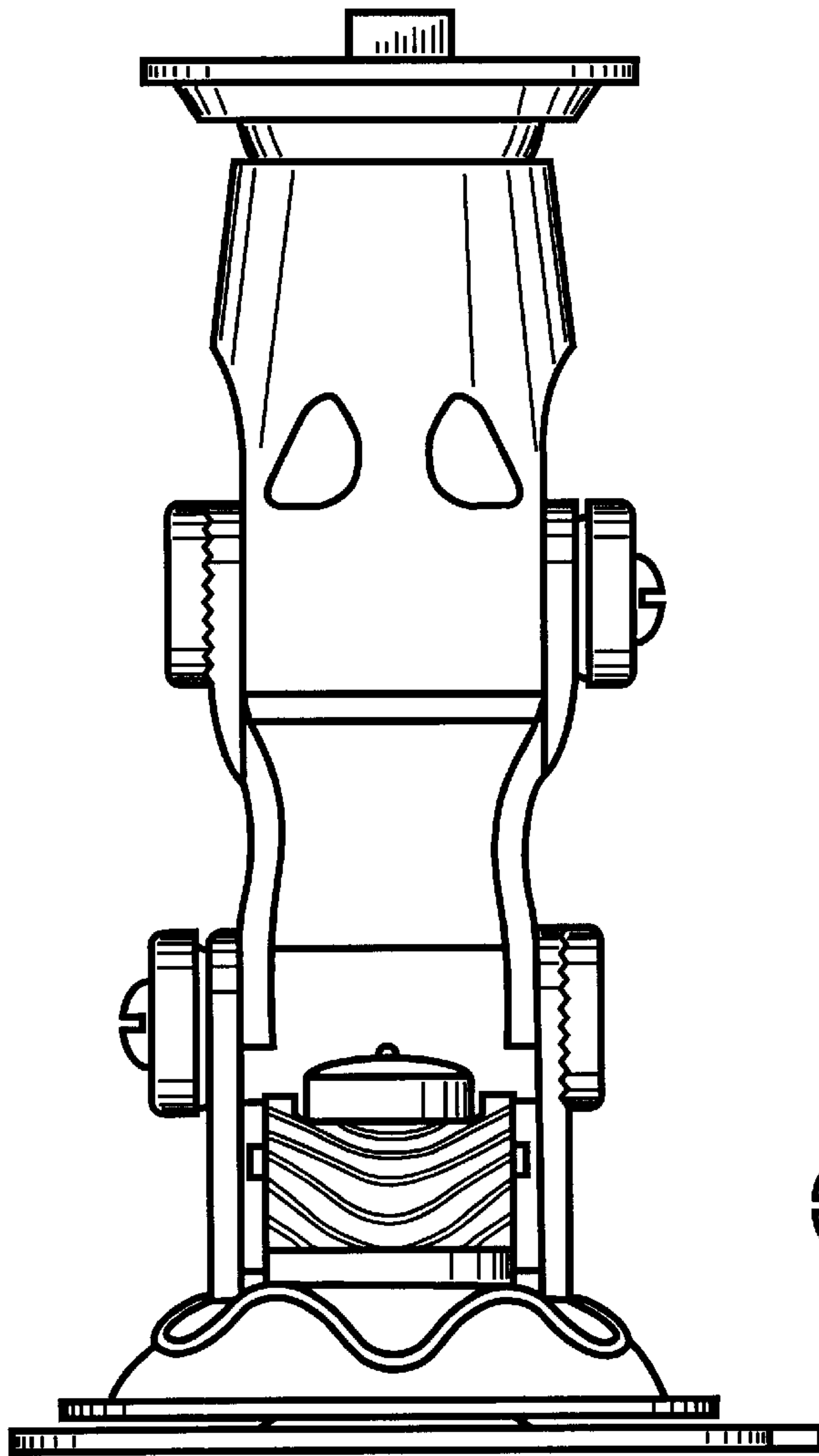


Fig. 7

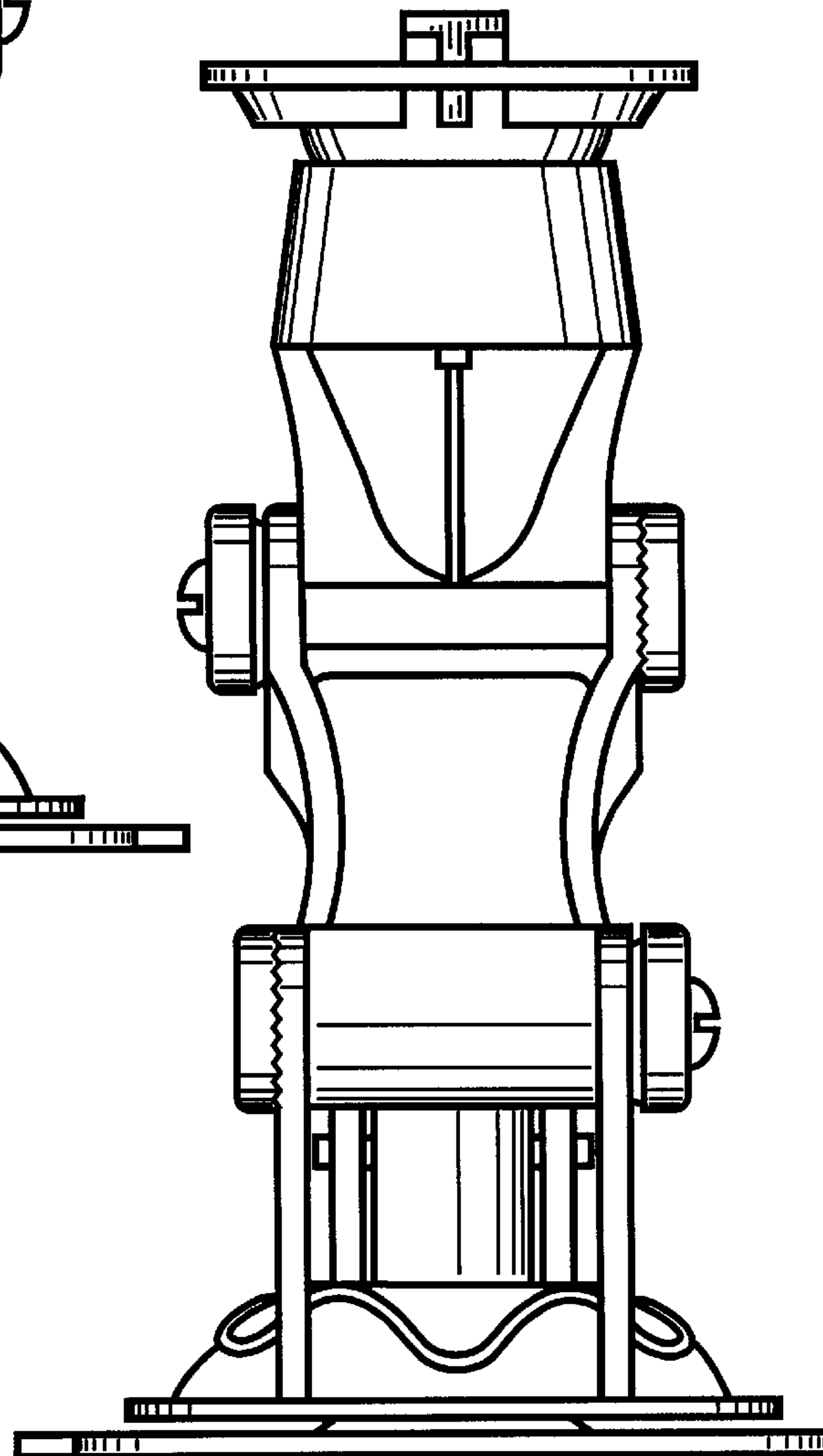


Fig. 8