

US00D543436S

(12) **United States Design Patent**
Ricereto

(10) **Patent No.:** **US D543,436 S**

(45) **Date of Patent:** **** May 29, 2007**

(54) **PULL**

(75) Inventor: **Michael Hart Ricereto**, Baltimore, MD (US)

(73) Assignee: **Newell Operating Company**, Atlanta, GA (US)

(**) Term: **14 Years**

(21) Appl. No.: **29/258,361**

(22) Filed: **Apr. 20, 2006**

(51) **LOC (8) Cl.** **08-06**

(52) **U.S. Cl.** **D8/316; D8/319**

(58) **Field of Classification Search** D8/300,
D8/315, 316, 317, 318, 319, 330, DIG. 1;
D6/549; 16/110.1, 410, 414-419, 441, 443-445;
D7/394; 220/753

See application file for complete search history.

(56) **References Cited**

U.S. PATENT DOCUMENTS

D100,034 S	*	6/1936	McCormick	D8/318
D169,533 S	*	5/1953	Korol	D8/319
D194,968 S	*	4/1963	Stelma	D8/317
D199,839 S	*	12/1964	Simpson	D8/316
D200,953 S	*	4/1965	Menezes	D8/317
D219,702 S	*	1/1971	Korol	D8/316
D222,232 S	*	10/1971	Horgan	D8/316
D267,774 S		2/1983	Pittenger		
D267,926 S		2/1983	Pittenger		
D268,246 S		3/1983	Tegner		
D270,993 S		10/1983	Tegner		
D270,994 S		10/1983	Tegner		
D271,464 S		11/1983	Carlson		
D272,800 S		2/1984	Pawlow		
D274,035 S		5/1984	Pawlow		
D274,123 S		6/1984	Tegner		
D284,737 S		7/1986	Clayton		
D290,337 S	*	6/1987	Savage	D8/330
D295,827 S		5/1988	Benjamin		
D296,073 S		6/1988	Rhoades		
D297,211 S		8/1988	Rhoades		

D300,505 S		4/1989	Palm, Jr. et al.		
D305,862 S		2/1990	Clayton		
D305,863 S		2/1990	Gresens et al.		
D312,381 S		11/1990	Clayton		
D326,219 S		5/1992	Clayton		
D326,990 S		6/1992	Bishop		
D326,991 S		6/1992	Bishop		
D326,992 S		6/1992	Clayton		
D326,993 S		6/1992	Clayton		
D326,994 S		6/1992	Bishop		
D326,997 S		6/1992	Clayton		
D327,196 S	*	6/1992	Crook et al.	D6/549	
D327,407 S		6/1992	Clayton		

(Continued)

Primary Examiner—Paula A. Greene

(74) *Attorney, Agent, or Firm*—Banner & Witcoff, Ltd.

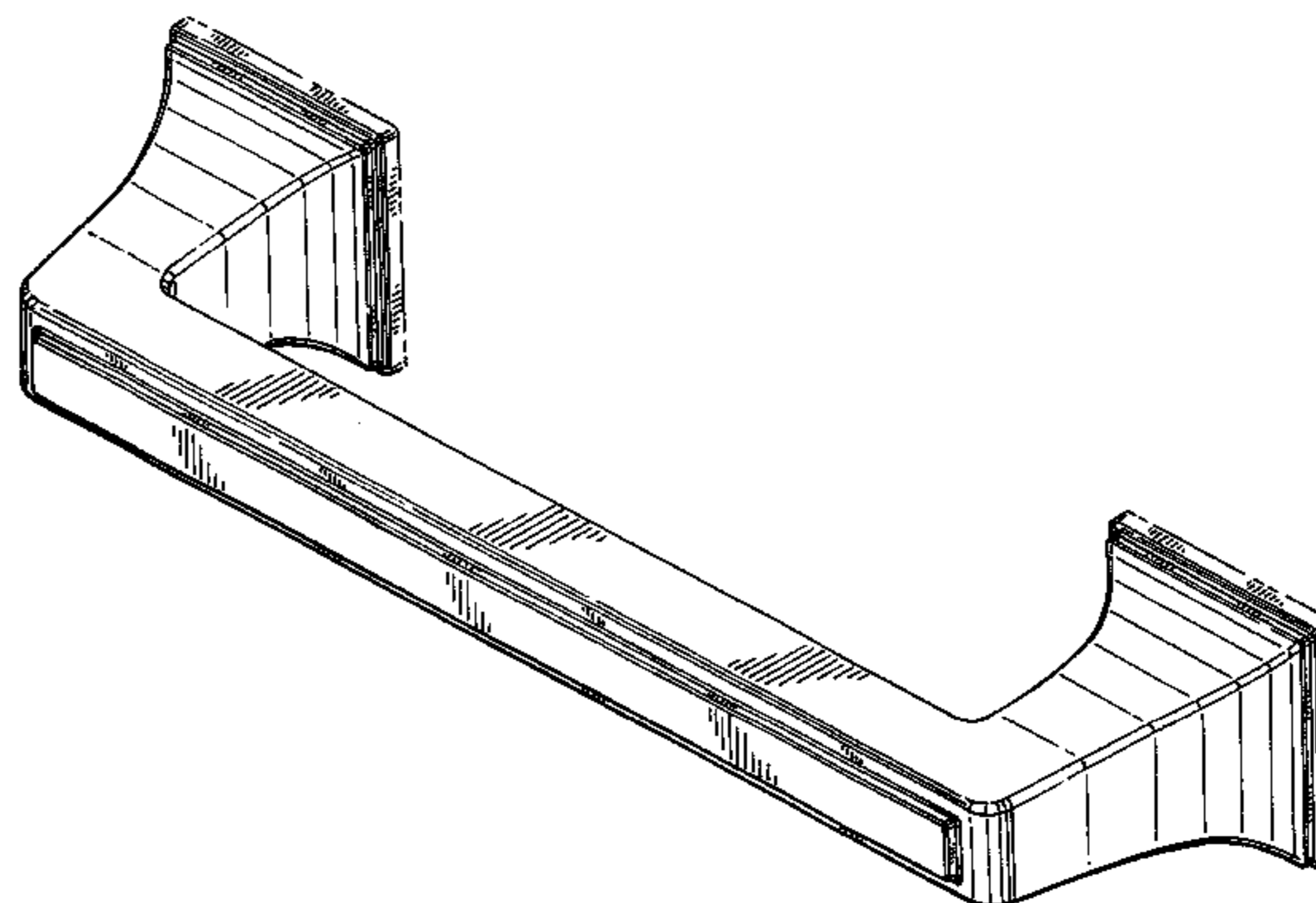
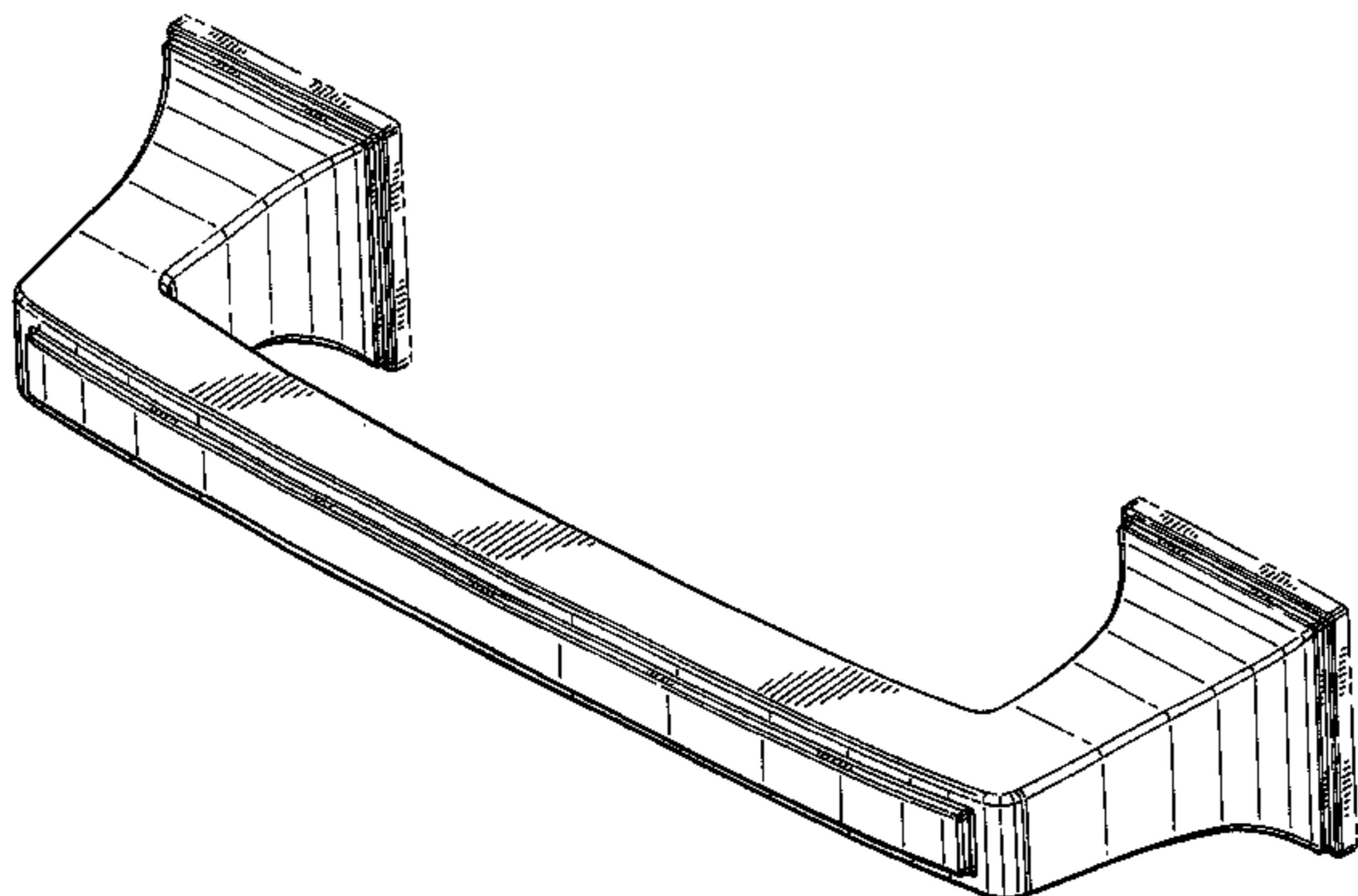
(57) **CLAIM**

We claim the ornamental design for a pull, as shown and described.

DESCRIPTION

FIG. 1 is an elevated perspective view of the pull handle of the present claimed invention;
 FIG. 2 is front view of the pull shown in FIG. 1;
 FIG. 3 is an end view of the pull shown in FIG. 1, the opposite end view being identical thereto;
 FIG. 4 is a side view of the pull shown in FIG. 1, the opposite side view being a mirror image thereto;
 FIG. 5 is a rear view of the pull shown in FIG. 1;
 FIG. 6 is an elevated perspective view of an alternative embodiment of the pull handle of the present invention;
 FIG. 7 is a front view of the pull shown in FIG. 6;
 FIG. 8 is an end view of the pull shown in FIG. 6, the opposite end view being identical thereto;
 FIG. 9 is a side view of the pull shown in FIG. 6, the opposite side view being a mirror image thereto; and,
 FIG. 10 is a rear view of the pull shown in FIG. 6.
 Features shown in broken lines in the drawings are not part of the claim.

1 Claim, 4 Drawing Sheets



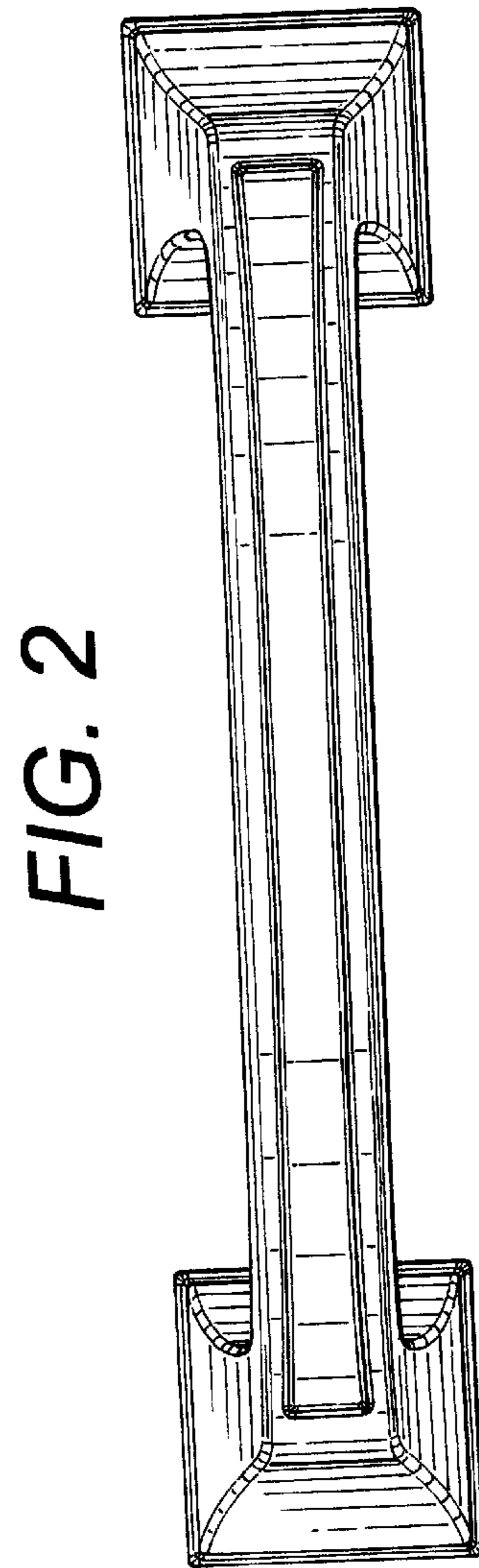
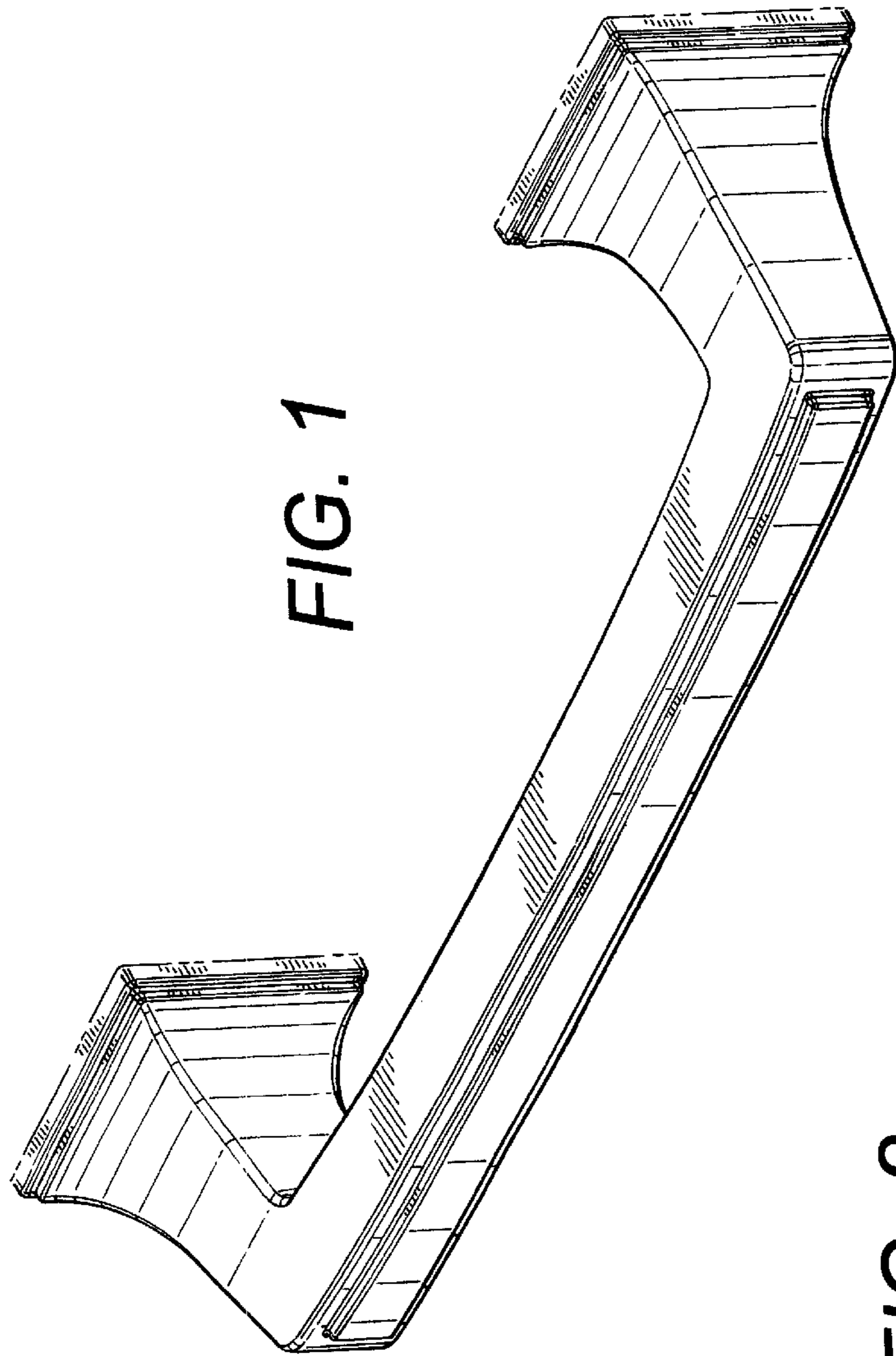
US D543,436 S

Page 2

U.S. PATENT DOCUMENTS

D327,420 S	6/1992	Bishop	D381,252 S	7/1997	Chieda
D355,834 S	2/1995	Chieda	D386,667 S	11/1997	Smith
D355,835 S	2/1995	Chieda	D388,272 S	* 12/1997	Moore D6/549
D355,837 S	2/1995	Chieda	D396,179 S	7/1998	Burns et al.
D355,838 S	2/1995	Chieda	D396,180 S	7/1998	Burns et al.
D355,839 S	2/1995	Chieda	D399,117 S	10/1998	Burns et al.
D356,724 S	3/1995	Chieda	D399,406 S	* 10/1998	Decursu et al. D8/317
D357,168 S	4/1995	Chieda	D399,407 S	10/1998	Burns et al.
D361,491 S	8/1995	Chieda	D399,723 S	10/1998	Burns et al.
D361,492 S	8/1995	Chieda	D401,834 S	12/1998	Burns et al.
D361,493 S	8/1995	Chieda	D401,835 S	12/1998	Burns et al.
D361,496 S	8/1995	Chieda	D403,230 S	* 12/1998	Ziemer et al. D8/317
D361,498 S	8/1995	Chieda	D403,571 S	1/1999	Burns et al.
D361,707 S	8/1995	Chieda	D406,745 S	3/1999	Burns et al.
D366,998 S	2/1996	Hollingsworth	D411,728 S	6/1999	O'Neil
D367,217 S	2/1996	Hollingsworth-Ainscough	D411,793 S	7/1999	O'Neil
D367,417 S	2/1996	Ainscough	D411,794 S	7/1999	O'Neil
D368,014 S	3/1996	Ainscough	D411,795 S	7/1999	O'Neil
D368,638 S	4/1996	Sonnenleiter	D413,248 S	8/1999	O'Neil
D368,639 S	4/1996	Chieda	D414,100 S	9/1999	O'Neil
D368,640 S	4/1996	Sonnenleiter	D415,405 S	10/1999	O'Neil
D368,642 S	4/1996	Chieda	D416,465 S	11/1999	O'Neil
D368,643 S	4/1996	Sonnenleiter	D418,387 S	1/2000	O'Neil
D368,644 S	4/1996	Bishop	D418,388 S	1/2000	O'Neil
D368,842 S	4/1996	Sonnenleiter	D418,389 S	1/2000	O'Neil
D370,613 S	6/1996	Ainscough	D429,455 S	8/2000	Burns et al.
D370,614 S	6/1996	Ainscough	D429,991 S	8/2000	Short
D371,062 S	6/1996	Ainscough	D431,442 S	10/2000	Short
D372,414 S	8/1996	De'Armond	D431,444 S	10/2000	Short
D372,657 S	8/1996	De'Armond	D431,445 S	10/2000	Short
D372,659 S	8/1996	De'Armond	D431,996 S	10/2000	Short
D373,065 S	8/1996	De'Armond	D434,633 S	12/2000	Short
D373,066 S	8/1996	De'Armond	D434,962 S	12/2000	Short
D373,067 S	8/1996	De'Armond	D434,963 S	12/2000	Short
D374,390 S	10/1996	De'Armond	D435,424 S	12/2000	Short
D377,655 S	1/1997	Smith	D435,426 S	12/2000	Short
D377,747 S	2/1997	De'Armond	D437,202 S	2/2001	O'Neil

* cited by examiner



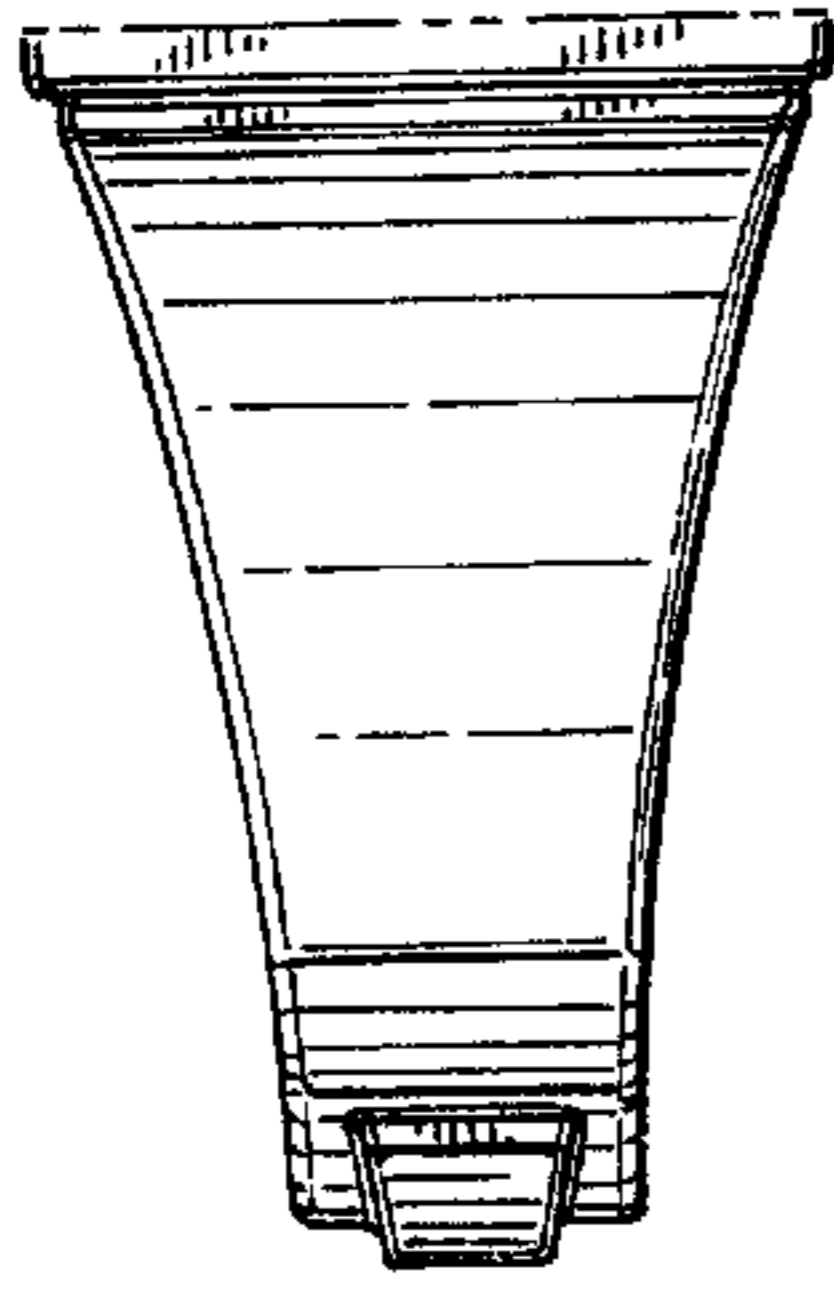


FIG. 3



FIG. 4

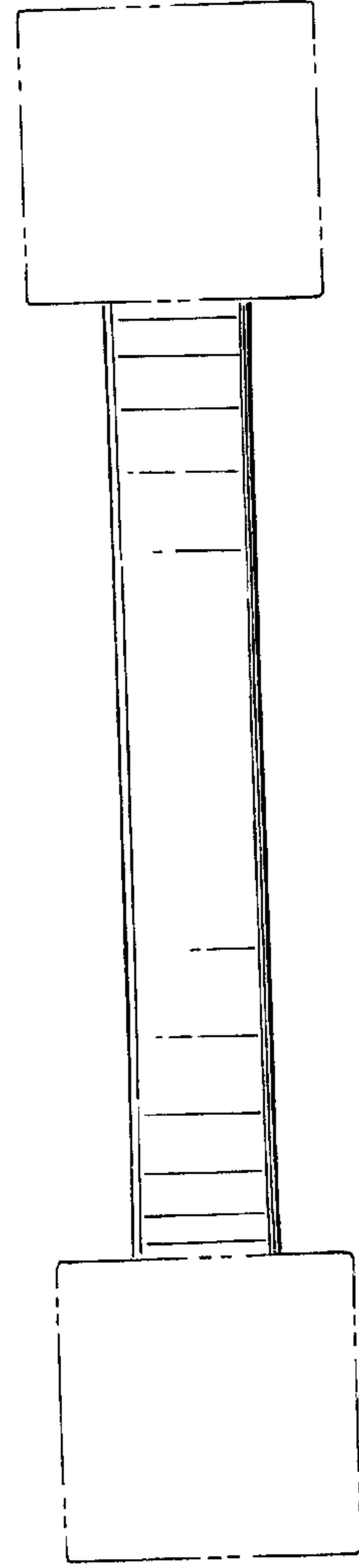


FIG. 5

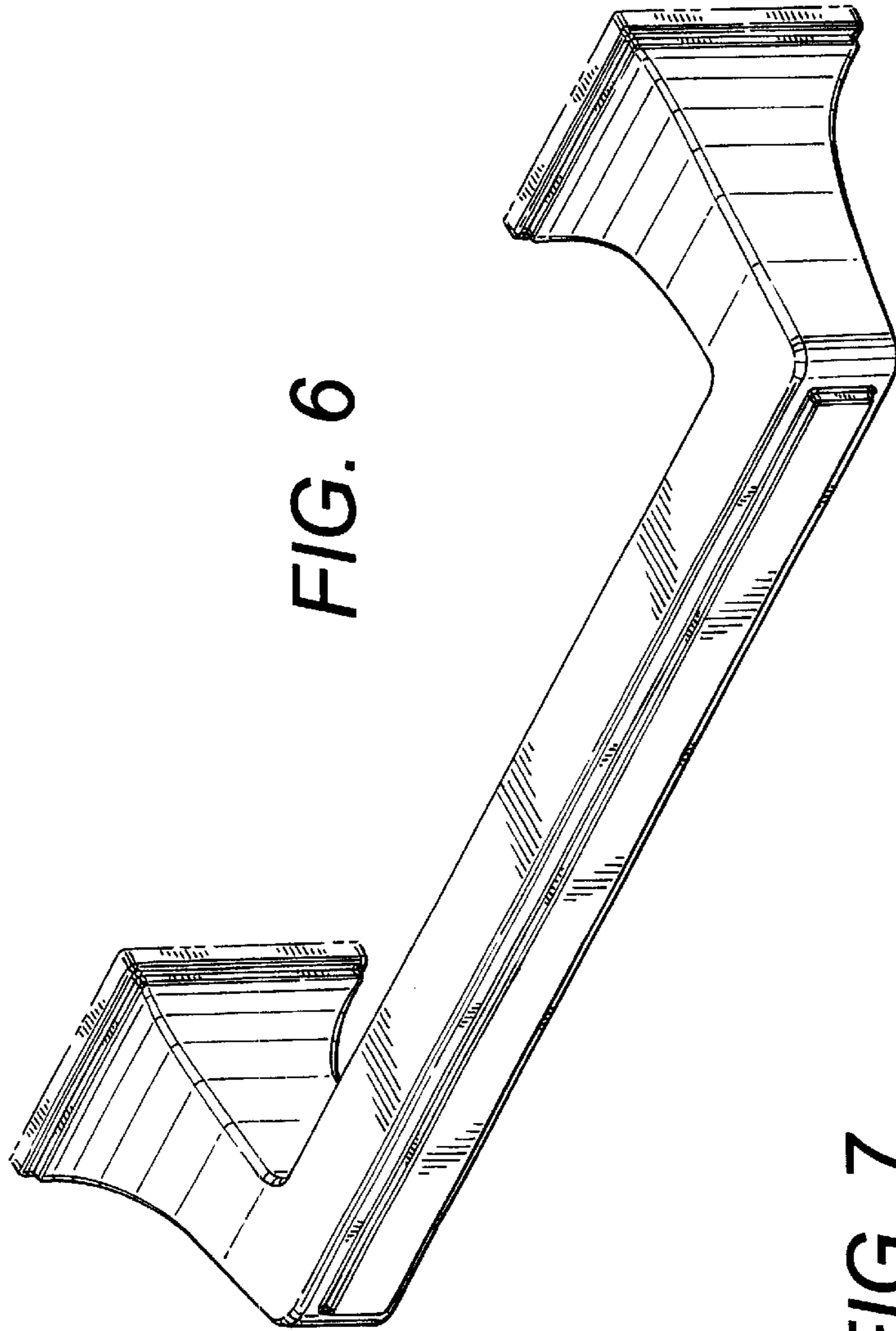


FIG. 6

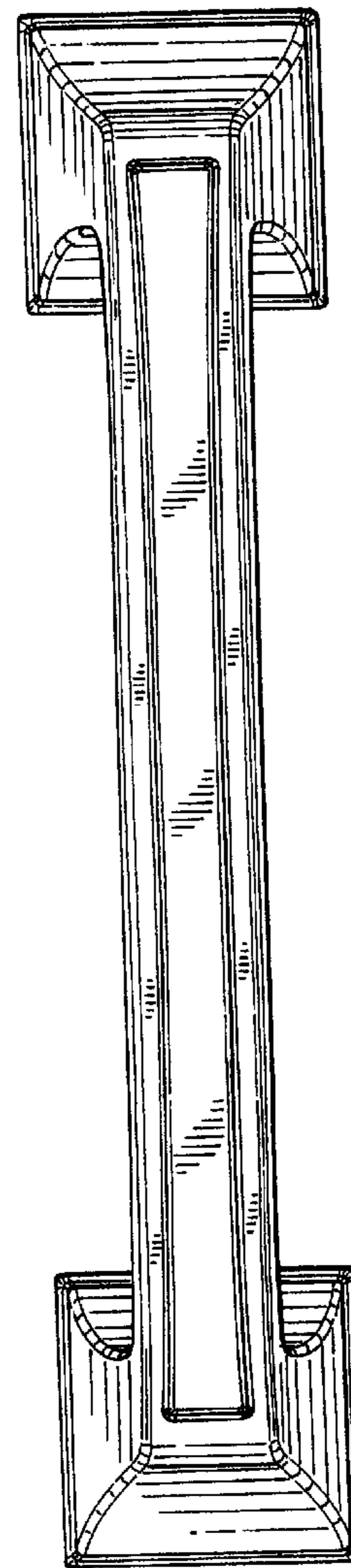


FIG. 7

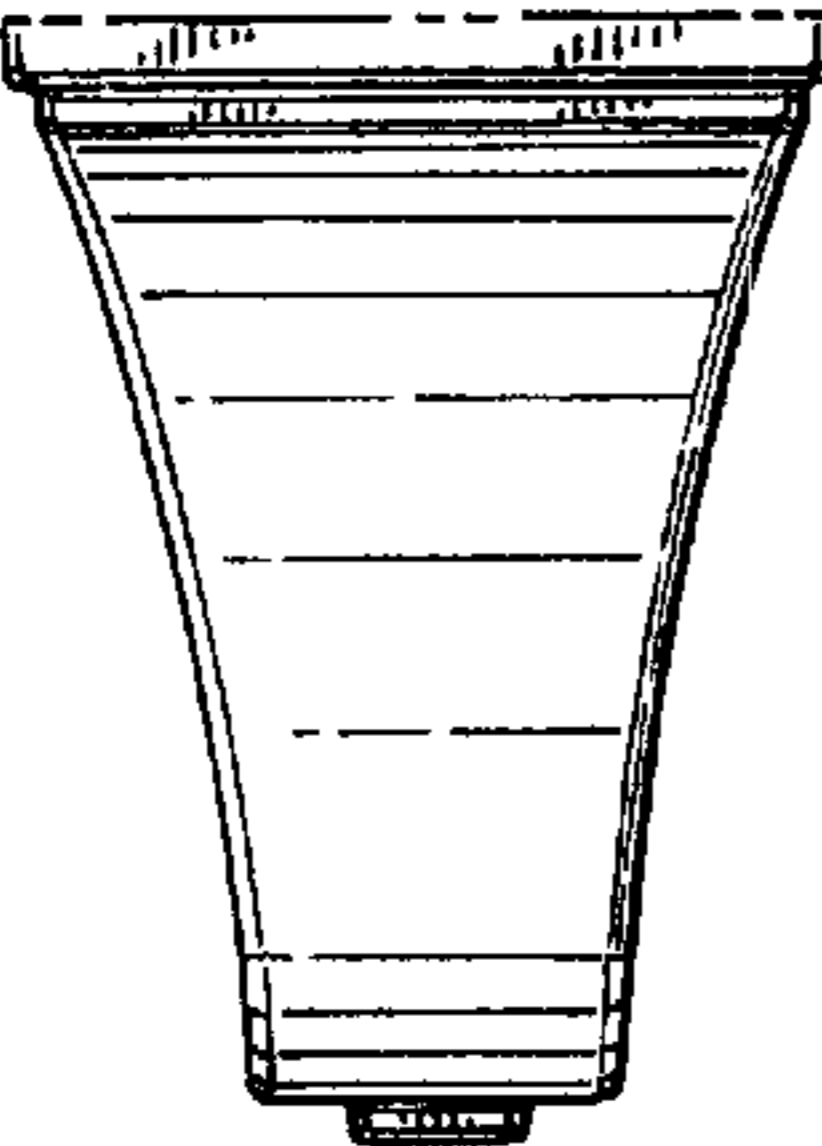


FIG. 8

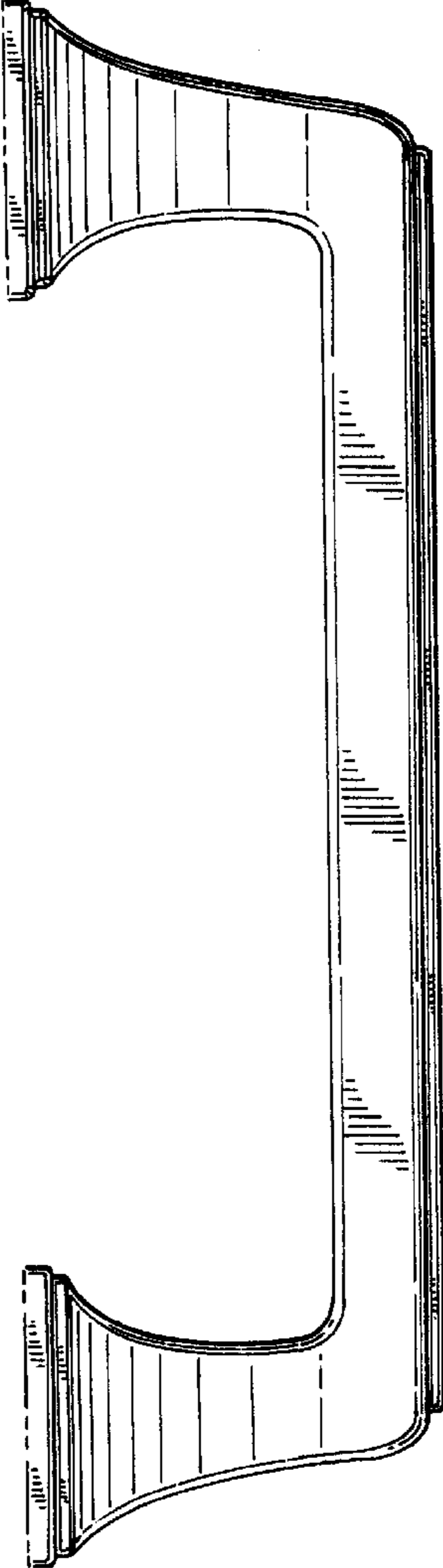


FIG. 9

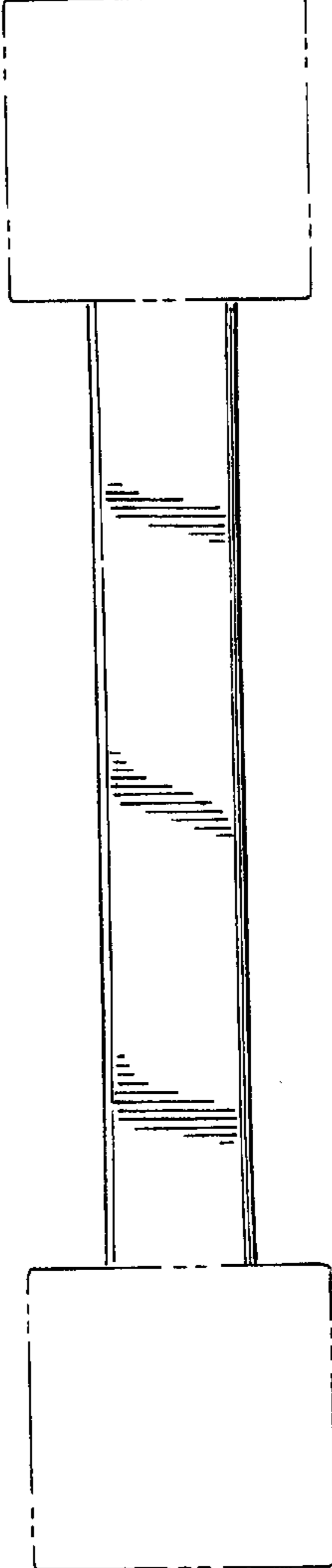


FIG. 10