

US00D543434S

(12) **United States Design Patent** (10) **Patent No.:** **US D543,434 S**
Weinerman et al. (45) **Date of Patent:** **** May 29, 2007**

(54) **FRONT PORTIONS OF A HANDLE AND HOUSING ASSEMBLY**
(75) Inventors: **Lee S. Weinerman**, Medina, OH (US);
Michael J. Hollingsworth, Brookpark, OH (US)
(73) Assignee: **The Eastern Company**, Cleveland, OH (US)
(**) Term: **14 Years**
(21) Appl. No.: **29/226,005**
(22) Filed: **Mar. 23, 2005**

D317,398 S 6/1991 Hansen et al. D8/336
5,052,869 A 10/1991 Hansen, II 410/111
D323,776 S 2/1992 Hansen D8/338
D323,970 S 2/1992 Schlack D8/341
D328,231 S 7/1992 Hansen D8/301
5,526,660 A 6/1996 Bennett et al. 70/208
5,585,578 A 12/1996 Shimotori 84/95.2
5,595,076 A 1/1997 Weinerman et al. 70/208
D389,393 S 1/1998 Hansen D8/310
5,938,248 A 8/1999 Vickers et al. 292/36
5,984,383 A 11/1999 Parikh et al. 292/121
D427,882 S 7/2000 Wytcherley et al. D8/331
D442,844 S 5/2001 Mirick D8/301
D456,237 S 4/2002 Sokurenko et al. D8/307

(Continued)

(51) **LOC (8) Cl.** **08-06**
(52) **U.S. Cl.** **D8/301; D8/306**
(58) **Field of Classification Search** D8/301,
D8/302, 306-307, 339, 336-338, 350-353,
D8/401; 70/141, 208, 210; 292/170, 175,
292/336.3, 165, 224, 358-359, 140-143,
292/DIG. 2, DIG. 3, 240-242, DIG. 30,
292/DIG. 31, DIG. 38, DIG. 4, DIG. 14;
84/95.2
See application file for complete search history.

OTHER PUBLICATIONS

Eberhard Catalog #109, pp. 102-104, Eberhard Manufacturing Co., Cleveland, Ohio, 44149. Showing Products 9000-SS; 9001-SS & Related Items, © 2004.
Eberhard Catalog #107, pp. 67-69, Eberhard Manufacturing Co., Cleveland, Ohio, 44149 Showing Products 9000-SS; 9001-SS & Related Items, © 1996.

Primary Examiner—Paula A. Greene
(74) *Attorney, Agent, or Firm*—David A. Burge

(56) **References Cited**

U.S. PATENT DOCUMENTS

D119,418 S 3/1940 Anderson et al. D8/306
2,402,348 A 6/1946 Schroeder 292/164
2,729,089 A 1/1956 Pelcin 70/151
2,735,706 A 2/1956 Pelcin 292/34
2,991,904 A 7/1961 Carideo 220/44
3,333,878 A 8/1967 Pelcin 292/37
3,457,744 A 7/1969 Bisbing 70/82
3,953,061 A 4/1976 Hansen et al. 292/5
4,370,874 A 2/1983 Munn 70/204
4,641,865 A 2/1987 Pastva 292/5
4,706,478 A 11/1987 Swan et al. 70/208
4,714,283 A 12/1987 Dignan 292/48
4,838,054 A 6/1989 Weinerman et al. 70/208
4,892,338 A 1/1990 Weinerman et al. 292/35
D316,365 S 4/1991 Hansen et al. D8/331
5,015,019 A 5/1991 Razdolsky 292/200

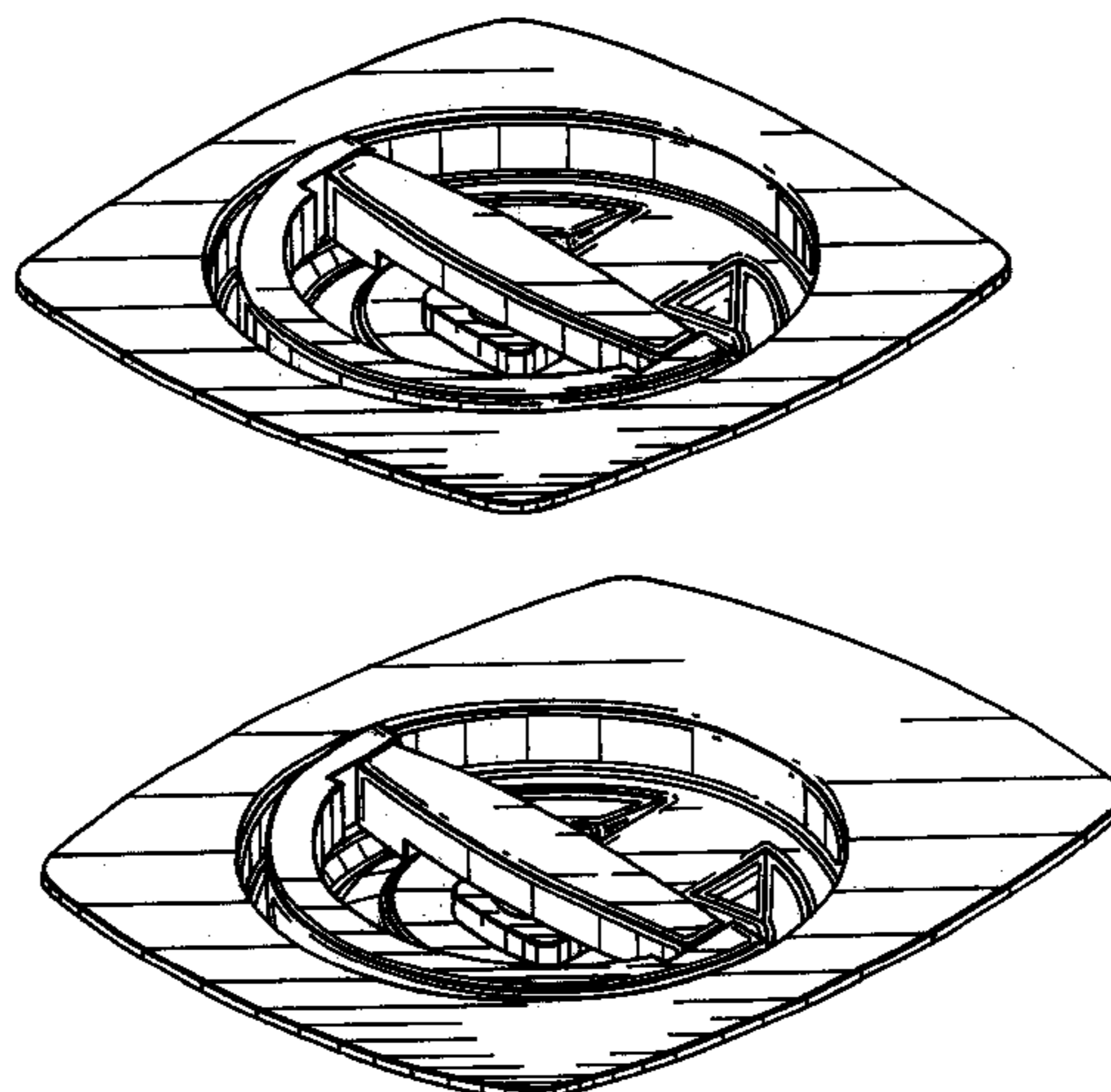
(57) **CLAIM**

We claim the ornamental design for front portions of a handle and housing assembly, as shown and described.

DESCRIPTION

FIG. 1 is a front perspective view of front portions of a handle and housing assembly showing our new design, the undisclosed rear is not part of the claimed design;
FIG. 2 is a front view thereof;
FIG. 3 is a front perspective view of a second embodiment of front portions of a handle and housing assembly showing our new design, the undisclosed rear is not part of the claimed design; and,
FIG. 4 is a front view thereof.

1 Claim, 2 Drawing Sheets



US D543,434 S

Page 2

U.S. PATENT DOCUMENTS

6,490,895 B1	12/2002	Weinerman et al.	70/208	6,666,053 B2	12/2003	Sadler	70/210
D469,678 S	2/2003	Teskey	D8/301	D488,994 S	4/2004	Hansen	D8/350
6,513,353 B1	2/2003	Weinerman et al.	70/208	D490,292 S	5/2004	Hansen	D8/352
6,530,250 B1	3/2003	Linares et al.	70/208	6,952,940 B2	10/2005	Molzer et al.	70/210
6,532,778 B2	3/2003	Molzer et al.	70/208	D520,328 S	5/2006	Hansen	D8/301
6,623,052 B2	9/2003	Hansen	292/336.3	D523,726 S *	6/2006	Weinerman et al.	D8/307
D484,024 S	12/2003	Teskey et al.	D8/331	7,124,475 B2	10/2006	Jeffries	16/445

* cited by examiner

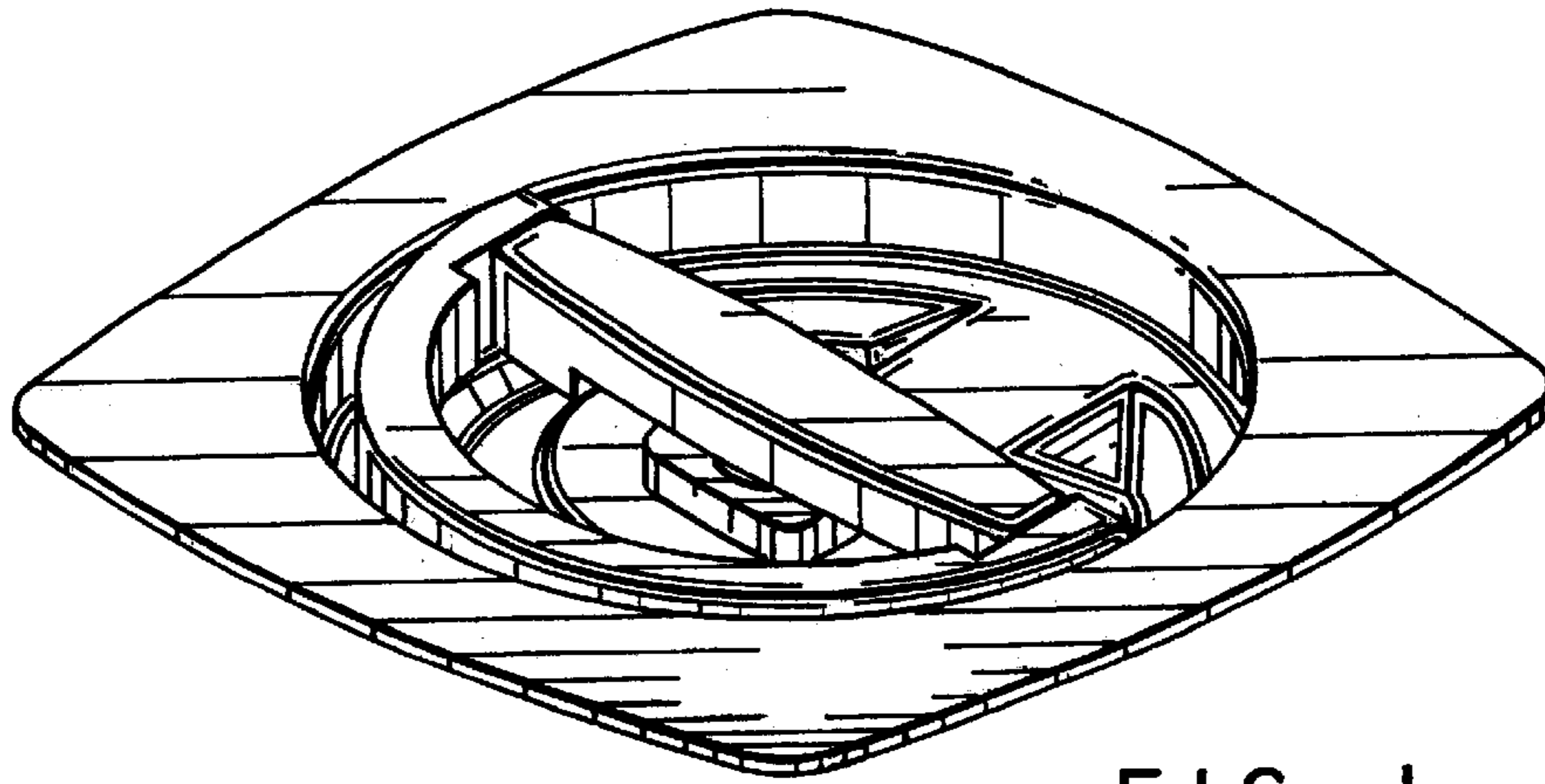


FIG. 1

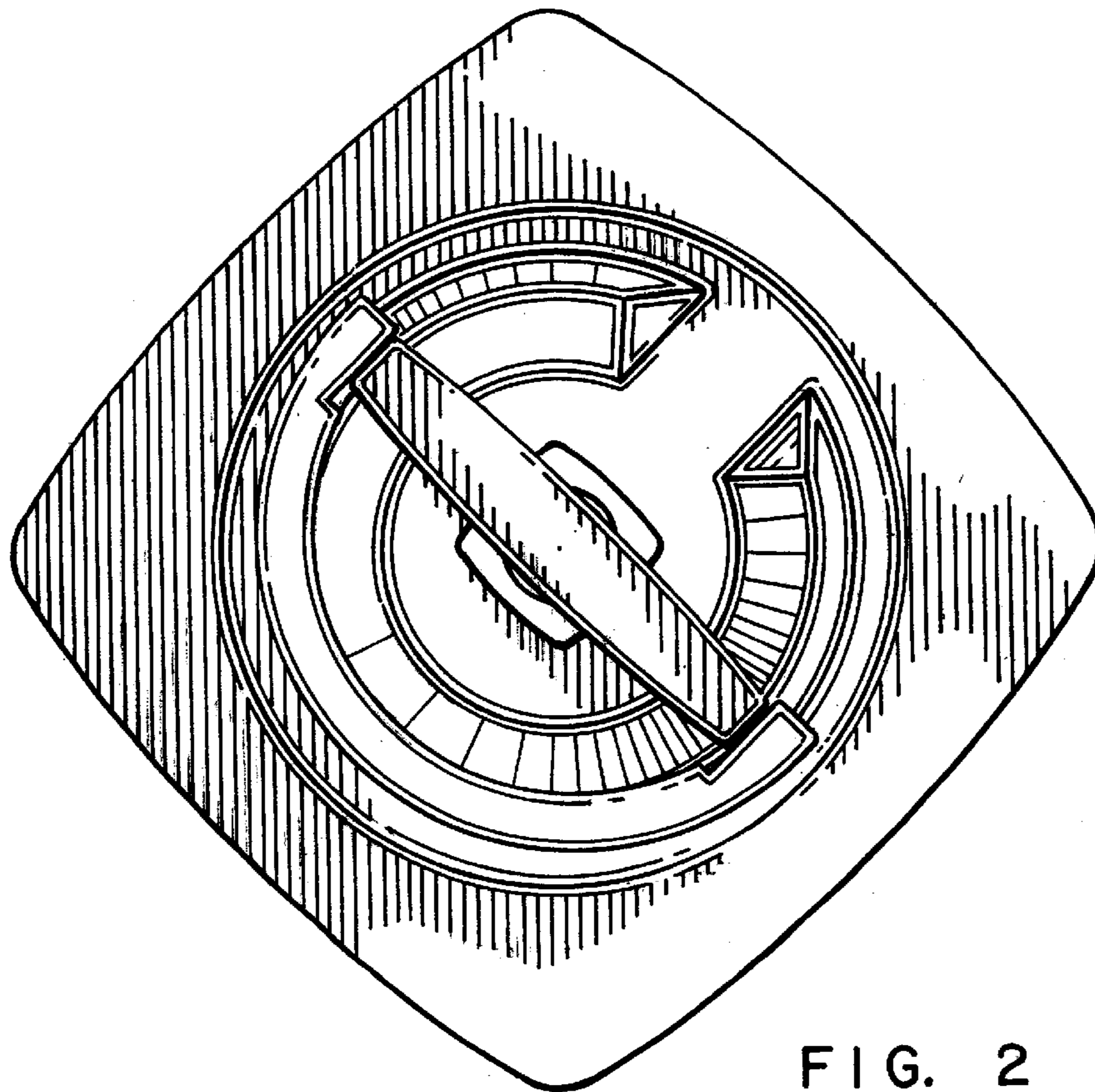


FIG. 2

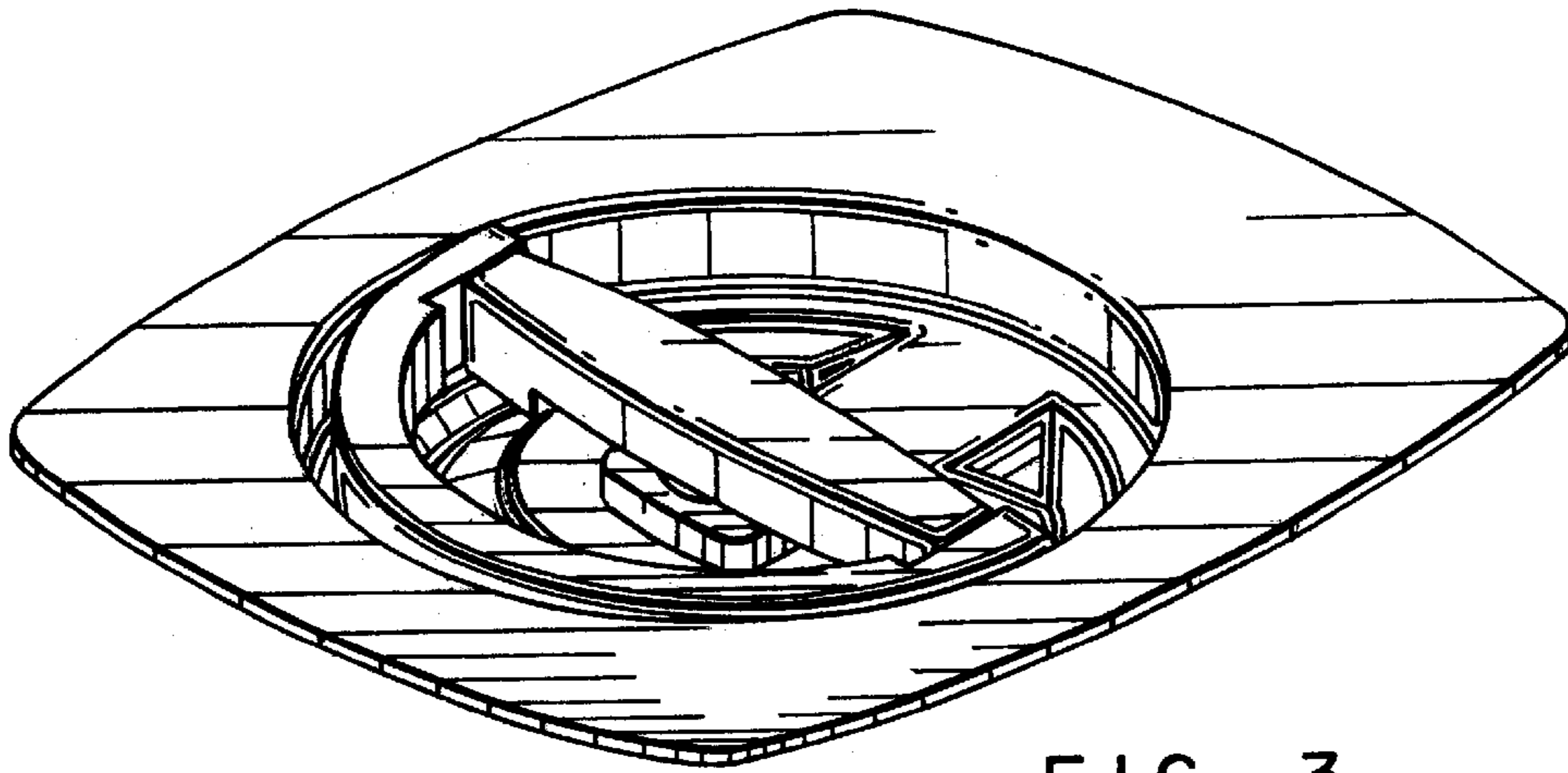


FIG. 3

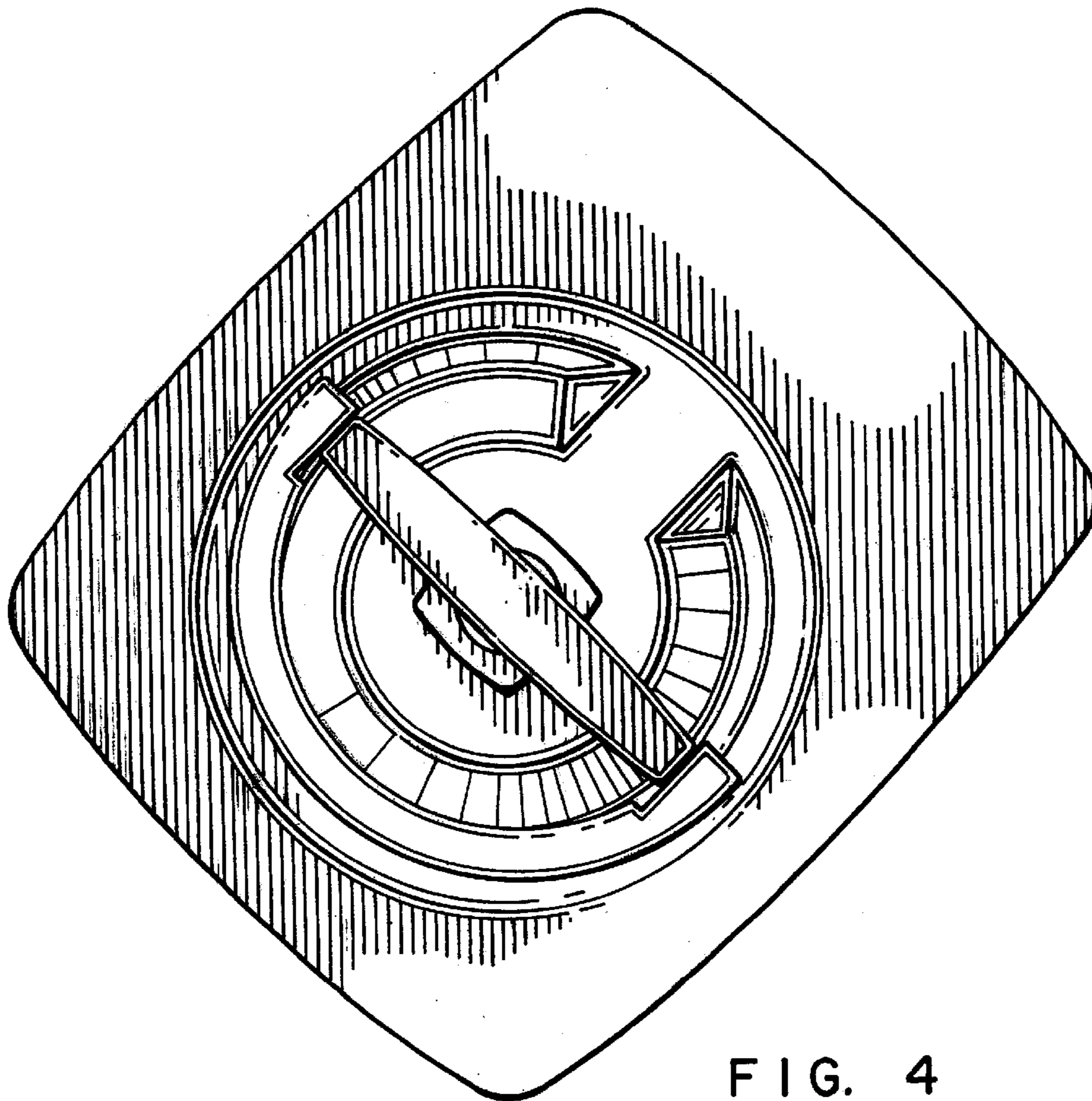


FIG. 4