



US00D543432S

(12) **United States Design Patent**
Rivera et al.

(10) **Patent No.:** **US D543,432 S**

(45) **Date of Patent:** **** May 29, 2007**

(54) **SYMMETRIC HANDLE WITH MARGIN INSERTS, FOR A FOLDING MULTIPURPOSE TOOL**

(75) Inventors: **Benjamin C. Rivera**, West Linn, OR (US); **Hollan A. Tsuda**, Portland, OR (US); **Nathan E. Knight**, Portland, OR (US); **Melissa C. Yale**, Portland, OR (US); **Glenn Klecker**, Silverton, OR (US)

(73) Assignee: **Leatherman Tool Group, Inc.**, Portland, OR (US)

(**) Term: **14 Years**

(21) Appl. No.: **29/209,072**

(22) Filed: **Jul. 9, 2004**

Related U.S. Application Data

(63) Continuation-in-part of application No. 29/197,329, filed on Jan. 13, 2004, now abandoned.

(51) **LOC (8) Cl.** **08-05**

(52) **U.S. Cl.** **D8/107**

(58) **Field of Classification Search** D8/54-56, D8/99, 105, 107; 7/118, 119, 125-135, 158, 7/163-166, 168; 30/160, 161; 81/427.5, 440
See application file for complete search history.

(56) **References Cited**

U.S. PATENT DOCUMENTS

1,362,143	A	*	12/1920	Rohrer	30/161
2,869,232	A		1/1959	Kivela		
3,783,509	A		1/1974	Lake		
D280,179	S		8/1985	Miceli		
4,744,272	A		5/1988	Leatherman		
5,111,581	A		5/1992	Collins		

(Continued)

Primary Examiner—Clare E. Heflin
(74) *Attorney, Agent, or Firm*—Chernoff, Vilhauer, McClung & Stenzel, LLP

(57) **CLAIM**

The ornamental design for a symmetric handle with margin inserts, for a folding multipurpose tool, as shown and described.

DESCRIPTION

FIG. 1 is an isometric view from the upper right front of a symmetric handle with margin inserts, for a folding multipurpose tool, including our new design, wherein an outer, or rear, end portion of a spring and portions of pivot pins shown in broken line are included merely for illustrative purposes and form no part of the claimed design;

FIG. 2 is a right side elevational view thereof, the left side elevational view being a mirror image thereof, wherein the outer, or rear, end portion of a spring and portions of pivot pins shown in broken line are included merely for illustrative purposes and form no part of the claimed design;

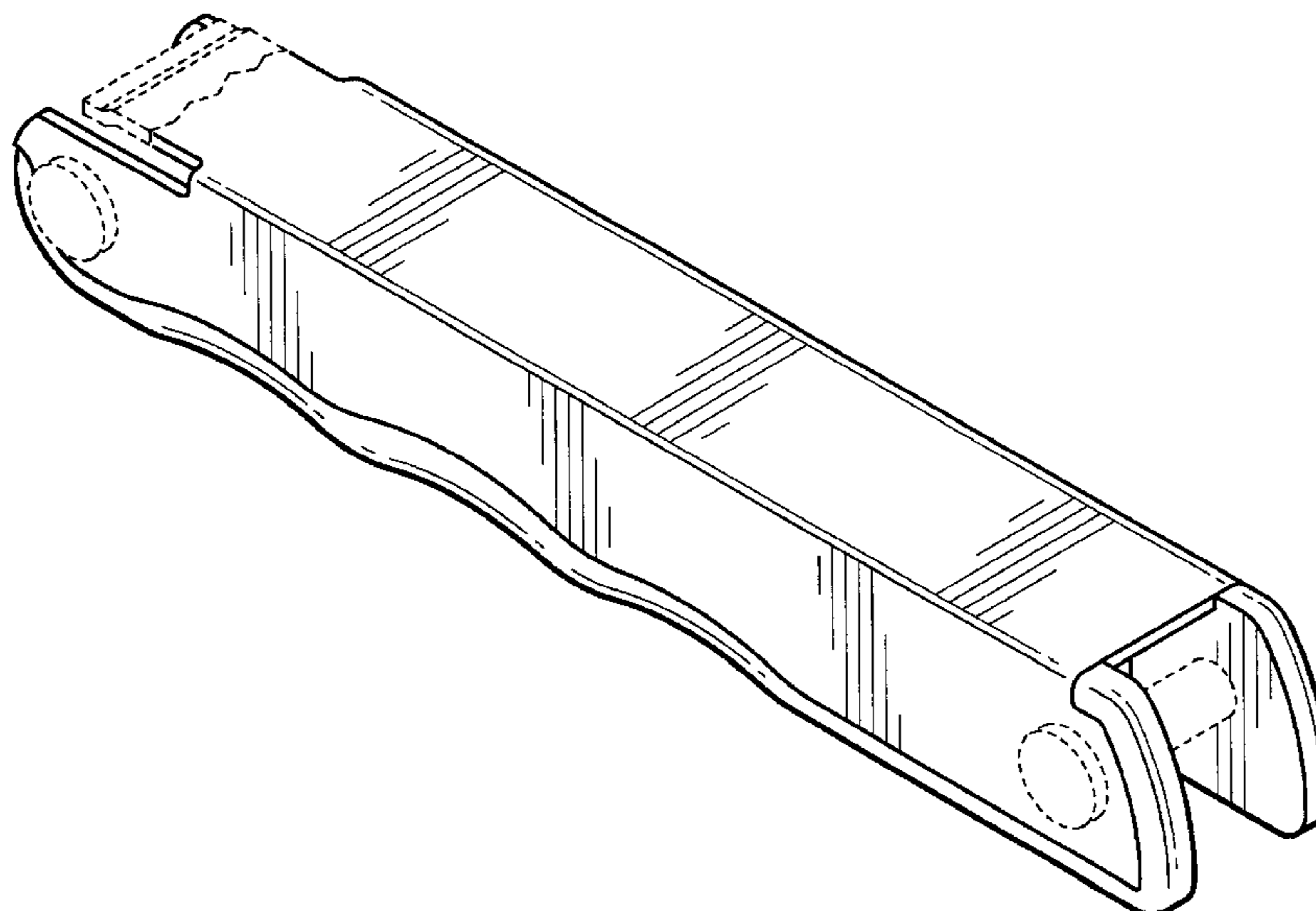
FIG. 3 is a top plan view thereof, wherein the outer, or rear, end portion of a spring and portions of pivot pins shown in broken line are included merely for illustrative purposes and form no part of the claimed design;

FIG. 4 is a bottom plan view thereof, wherein the outer, or rear, end portion of a spring and portions of pivot pins shown in broken line are included merely for illustrative purposes and form no part of the claimed design;

FIG. 5 is a rear end elevational view thereof, wherein the outer, or rear, end portion of a spring and the portion of a pivot pin shown in broken line are included merely for illustrative purposes and form no part of the claimed design; and,

FIG. 6 is a front end elevational view thereof, wherein the outer, or rear, end portion of a spring and the portion of a pivot pin shown in broken line are included merely for illustrative purposes and form no part of the claimed design.

1 Claim, 2 Drawing Sheets



US D543,432 S

Page 2

U.S. PATENT DOCUMENTS

D344,006 S	2/1994	Glesser		D436,514 S	1/2001	Rivera	
D356,019 S	3/1995	Sakai		D445,009 S	7/2001	Rivera	
D367,807 S	3/1996	Hung		D446,708 S	8/2001	Rivera	
D368,634 S	4/1996	Frazer		D446,709 S	8/2001	Rivera	
D373,521 S	9/1996	Applegate et al.		D447,039 S	8/2001	Rivera	
5,564,318 A	10/1996	Pail		D447,041 S	8/2001	Rivera	
D382,190 S	8/1997	Blackston et al.		D447,401 S	9/2001	Rivera	
D384,872 S	10/1997	Yeh		6,282,996 B1	9/2001	Berg et al.	
D385,170 S	10/1997	Rivera		6,305,041 B1	10/2001	Montague et al.	
5,711,194 A	1/1998	Anderson		6,389,625 B1	5/2002	Rivera	
D398,209 S	9/1998	Rivera		6,427,334 B2	8/2002	Onion	
D398,213 S	9/1998	Rivera		D468,987 S *	1/2003	Dreyfus et al.	D8/105
D405,675 S	2/1999	Rivera		6,510,767 B1	1/2003	Rivera	
D405,676 S	2/1999	Rivera		D470,031 S	2/2003	Rivera	
D406,508 S	3/1999	Rivera		D470,032 S	2/2003	Rivera	
D406,509 S	3/1999	Rivera		D470,372 S	2/2003	Rivera	
D407,004 S	3/1999	Hull et al.		D474,670 S	5/2003	Rivera	
D408,238 S	4/1999	Rivera		D497,093 S	10/2004	Rivera et al.	
D419,418 S *	1/2000	Lin	D8/105	D497,094 S	10/2004	Rivera et al.	
D427,501 S	7/2000	Rivera		D501,127 S	1/2005	Rivera et al.	
D435,776 S	1/2001	Veltz et al.					

* cited by examiner

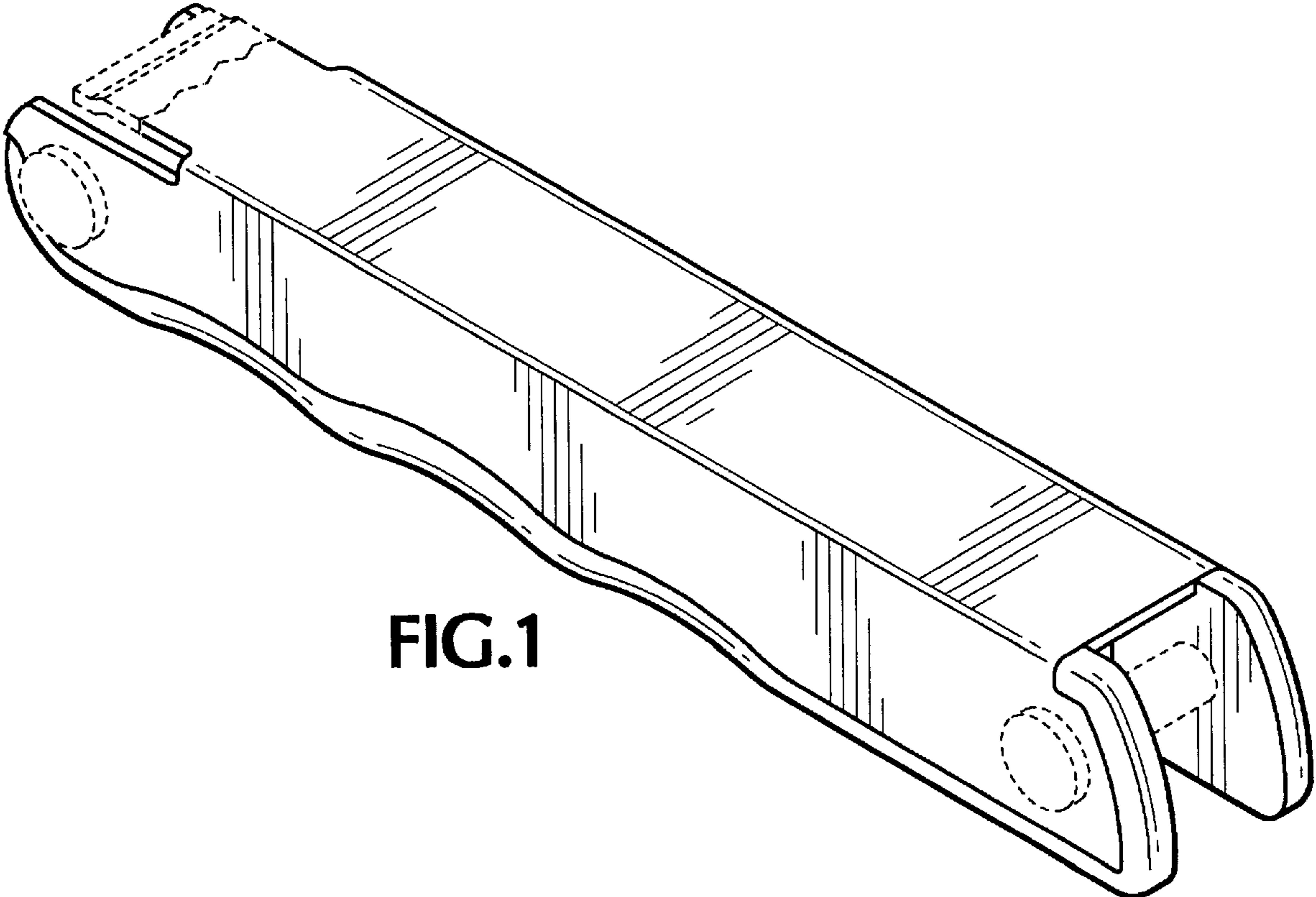


FIG.1

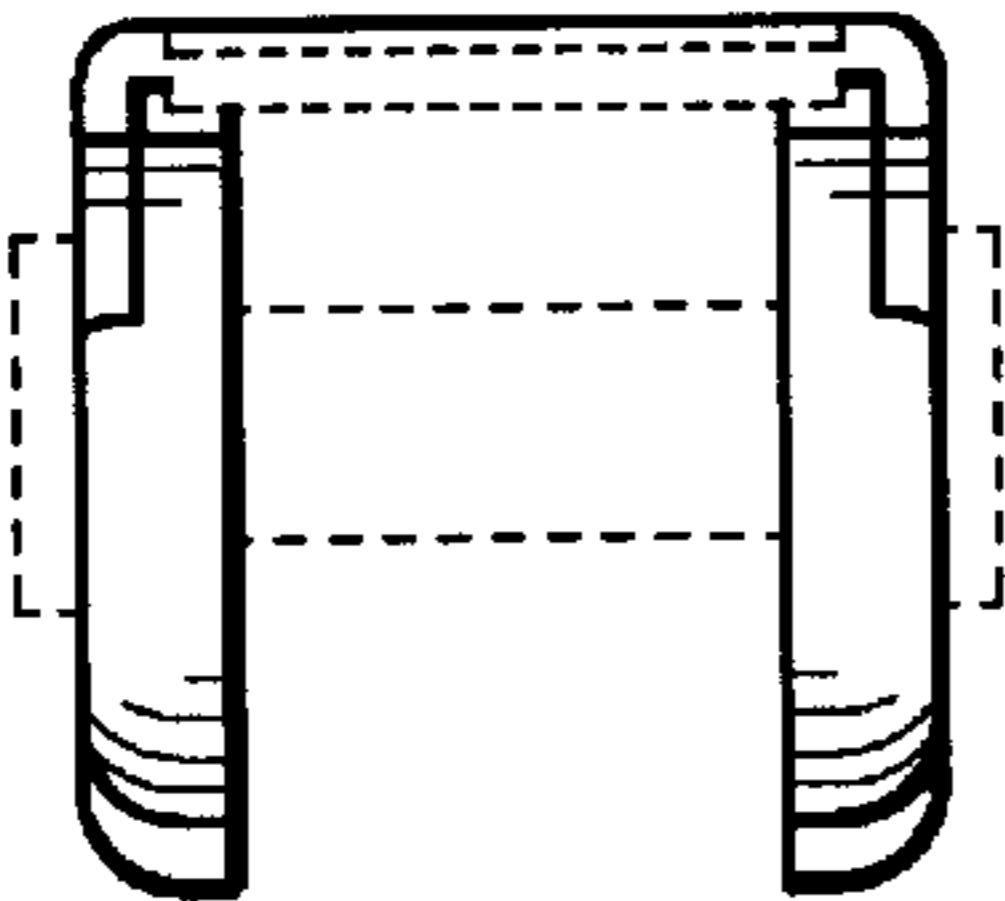


FIG.5

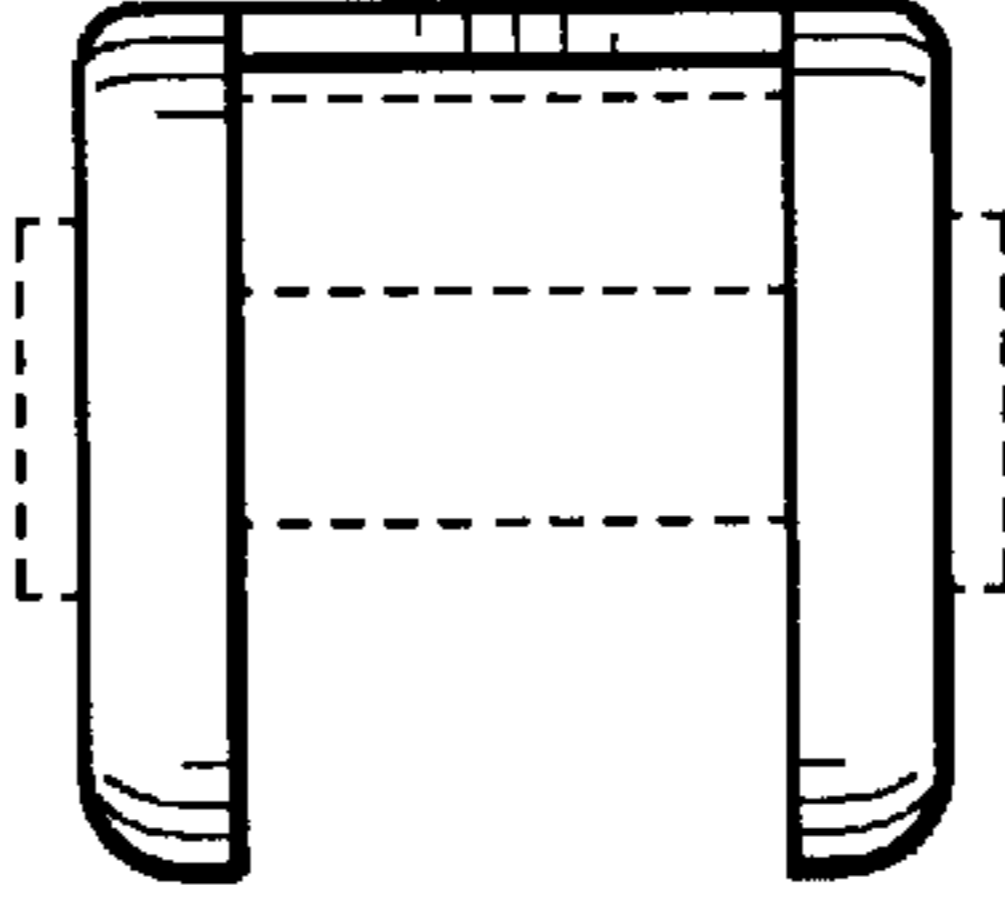


FIG.6

FIG.2

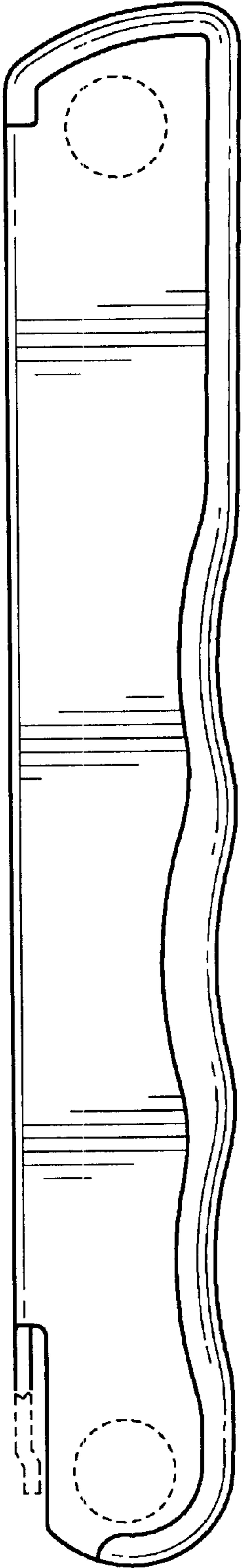


FIG.3

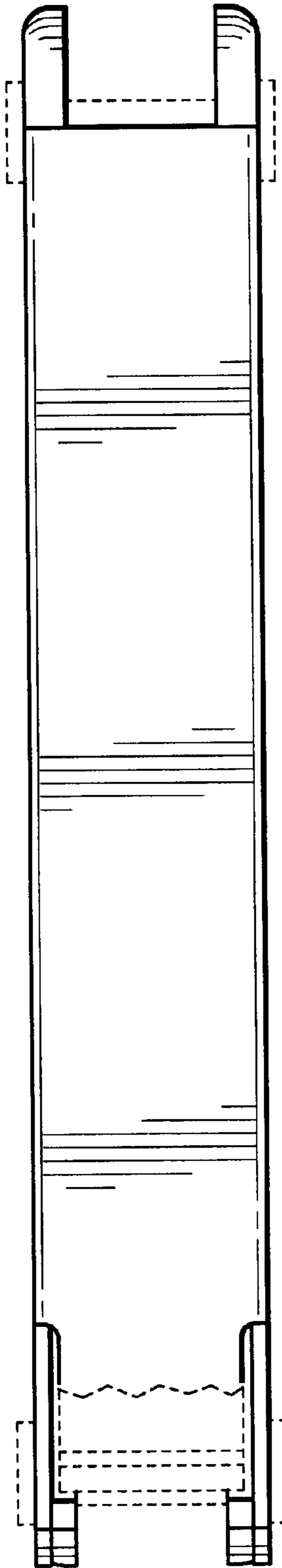


FIG.4

