



US00D543431S

(12) **United States Design Patent**  
**Jimenez**

(10) **Patent No.:** **US D543,431 S**

(45) **Date of Patent:** **\*\* May 29, 2007**

- (54) **SAW**
- (75) Inventor: **Eduardo J. Jimenez**, Manalapan, NJ (US)
- (73) Assignee: **KC Holdings, LLC**
- (\*\*) Term: **14 Years**
- (21) Appl. No.: **29/221,239**
- (22) Filed: **Jan. 14, 2005**

6,230,412 B1	5/2001	Lin	30/512
D455,628 S	4/2002	Douglas	D8/96
D472,445 S	4/2003	Juhlin et al.	D8/96
D475,600 S	6/2003	Huang	D8/96
D477,519 S	7/2003	Seloron	D8/96

*Primary Examiner*—Philip S. Hyder  
 (74) *Attorney, Agent, or Firm*—Wolff Law Offices, PLLC; Kevin Alan Wolff

**Related U.S. Application Data**

- (62) Division of application No. 29/186,386, filed on Jul. 16, 2003, now Pat. No. Des. 502,639.
- (51) **LOC (8) Cl.** ..... **08-03**
- (52) **U.S. Cl.** ..... **D8/96; D8/97**
- (58) **Field of Classification Search** ..... D8/95, D8/96, 97, 98, 99, 107; 30/506, 507, 508, 30/509, 511, 513, 515, 517, 522  
See application file for complete search history.

**References Cited**

**U.S. PATENT DOCUMENTS**

D220,677 S	5/1971	Erkers	D8/96
D262,600 S	1/1982	Crick	D8/96
D370,610 S	6/1996	Neyton	D8/96
D403,224 S	12/1998	Martin et al.	D8/96
D409,892 S	5/1999	Juhlin	D8/96
6,070,330 A	6/2000	Phelon et al.	30/513
D428,321 S	7/2000	Ranieri et al.	D8/96
D436,824 S	1/2001	Douglas et al.	D8/96

(57) **CLAIM**

The ornamental design for a saw, as shown and described.

**DESCRIPTION**

FIG. 1 is a perspective view looking upward at the rear and right side of a saw showing my new design, and showing a saw blade in broken lines;

FIG. 2 is a left elevation view of the saw including a saw blade attachment lever with blade tension linkage, and showing a saw blade in broken lines;

FIG. 3 is a front elevation view of the saw including a saw blade attachment lever with blade tension linkage;

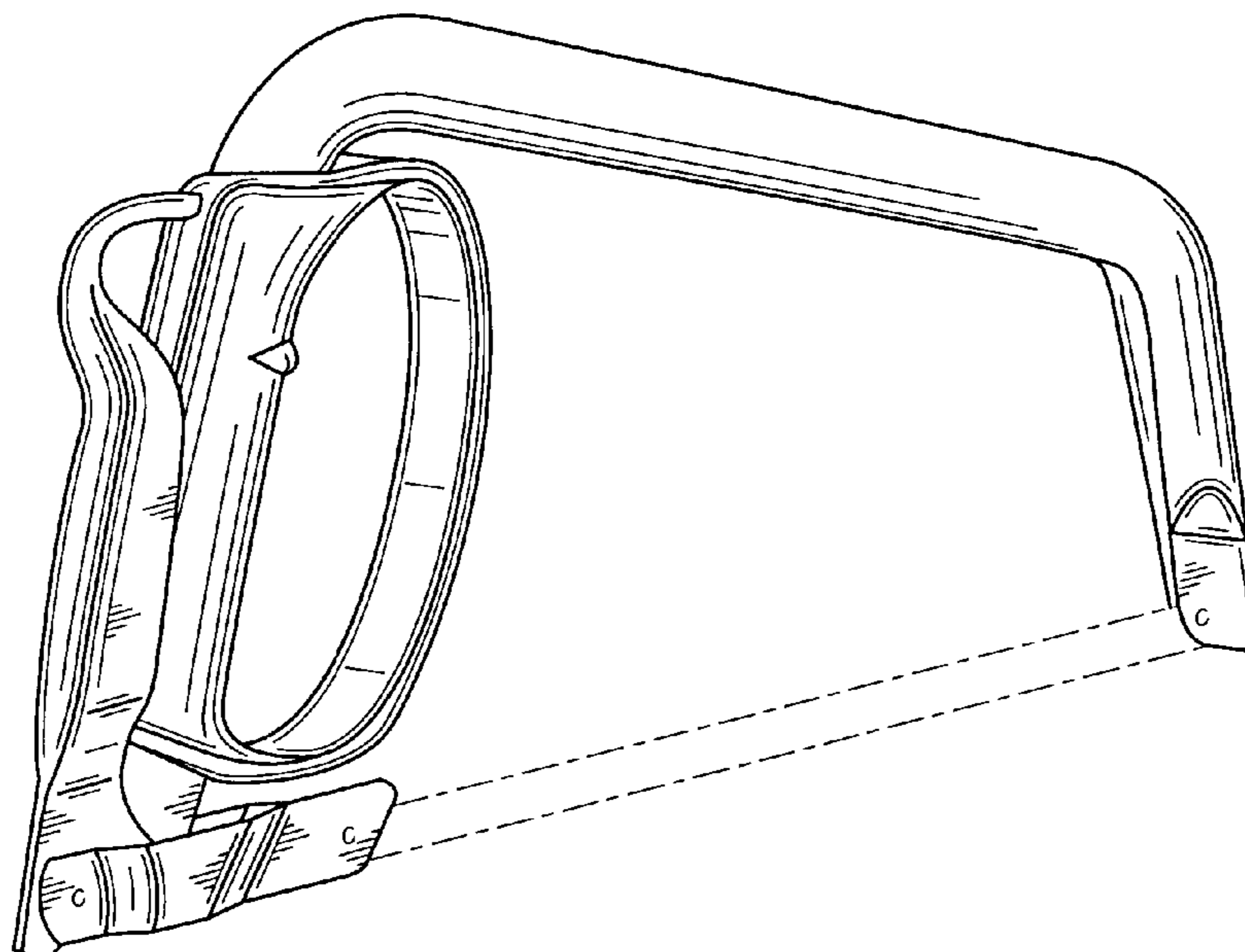
FIG. 4 is a rear elevation view of the saw including a saw blade attachment lever with blade tension linkage;

FIG. 5 is a top plan view of the saw including a saw blade attachment lever with blade tension linkage; and,

FIG. 6 is a bottom plan view of the saw including a saw blade attachment lever with blade tension linkage, and showing a saw blade in broken lines.

The broken lines showing the saw blade and blade attachment hole are for illustrative purposes only and form no part of the claimed design.

**1 Claim, 4 Drawing Sheets**



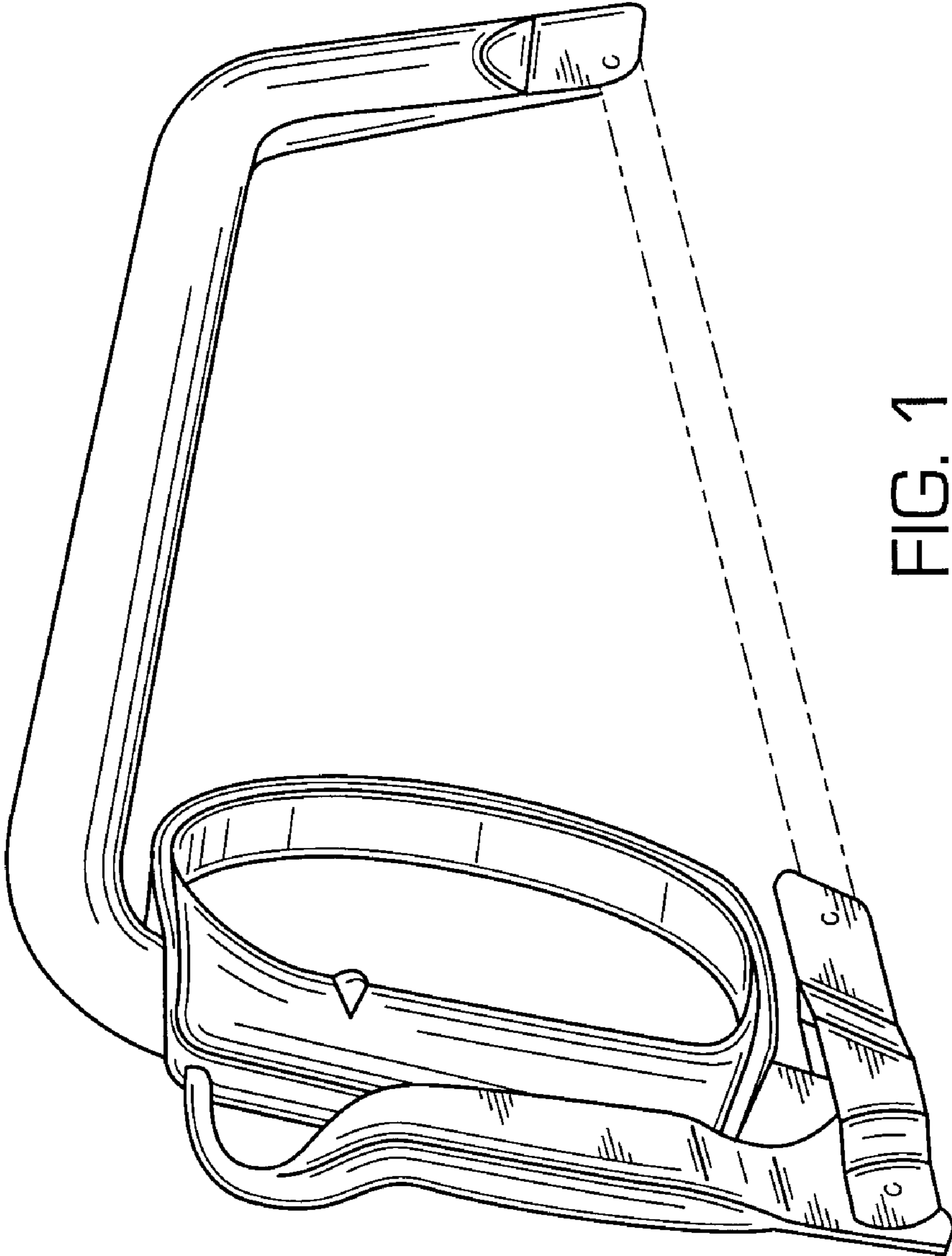


FIG. 1

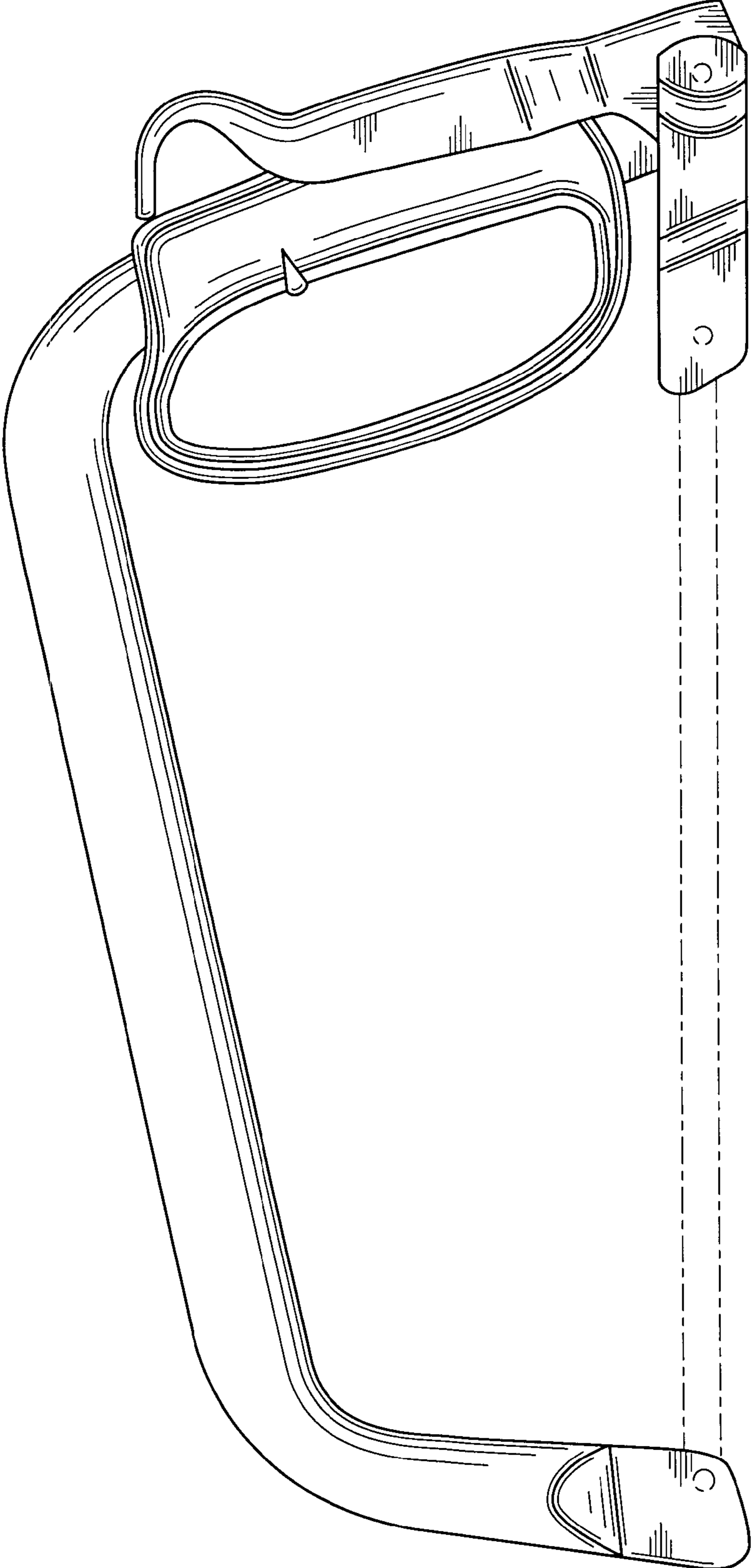


FIG. 2

FIG. 3

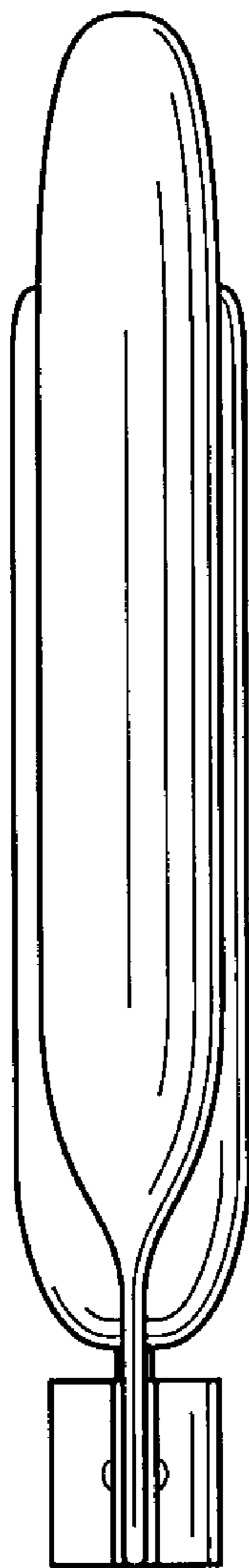


FIG. 4

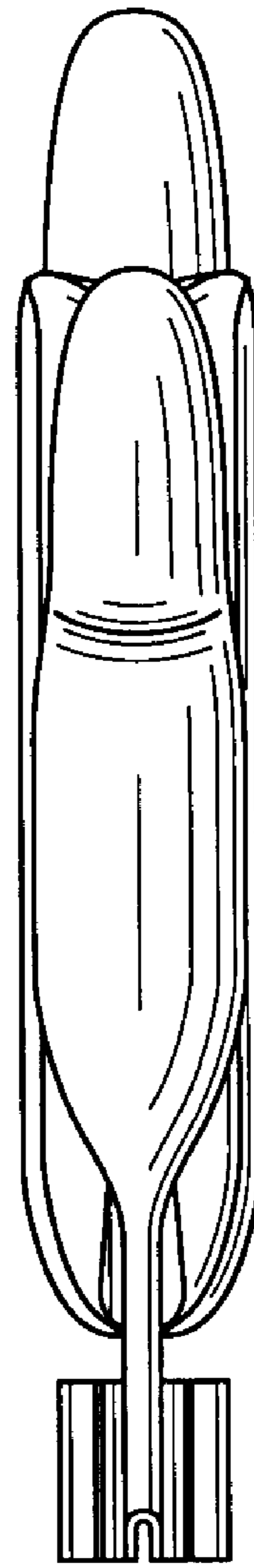


FIG. 5

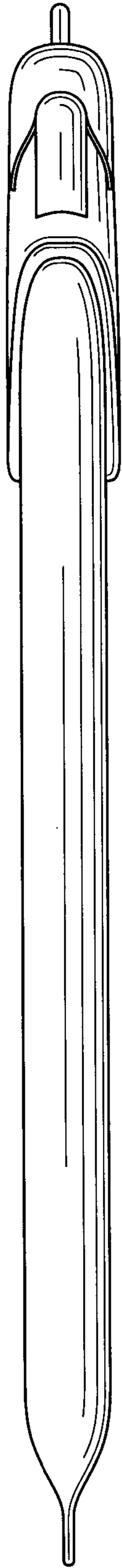


FIG. 6

