

US00D543427S

(12) **United States Design Patent**
Willison

(10) **Patent No.:** **US D543,427 S**

(45) **Date of Patent:** **** May 29, 2007**

(54) **RAKE HEAD**

(76) Inventor: **George R. Willison**, 6465 Polo Dr.,
Cumming, GA (US) 30040

(**) Term: **14 Years**

(21) Appl. No.: **29/260,741**

(22) Filed: **May 31, 2006**

Related U.S. Application Data

(63) Continuation-in-part of application No. 10/926,646, filed on
Aug. 26, 2004, now abandoned.

(51) **LOC (8) Cl.** **08-01**

(52) **U.S. Cl.** **D8/13**

(58) **Field of Classification Search** D8/6,
D8/13; 56/400.1, 400.12-400.15
See application file for complete search history.

(56) **References Cited**

U.S. PATENT DOCUMENTS

2,207,653	A	*	7/1940	Boggs	56/400.14
2,329,708	A	*	9/1943	Fetterman	56/400.13
2,511,642	A	*	6/1950	Law	56/400.14
2,638,730	A	*	5/1953	Davidson	56/400.14
4,009,560	A	*	3/1977	Wells	56/400.01

4,358,123	A	*	11/1982	Richards	280/47.131
4,516,393	A	*	5/1985	Lambert	56/400.2
5,054,278	A	*	10/1991	Thorndike	56/400.14
D484,373	S	*	12/2003	Ross	D8/13

* cited by examiner

Primary Examiner—Holly H. Baynham

Assistant Examiner—Sheryl Friedman

(57) **CLAIM**

The ornamental design for a rake head, as shown and described.

DESCRIPTION

FIG. 1 is a top, front, left side perspective view of a rake head;

FIG. 2 is a right side elevational view thereof with the handle removed;

FIG. 3 is a top plan view thereof;

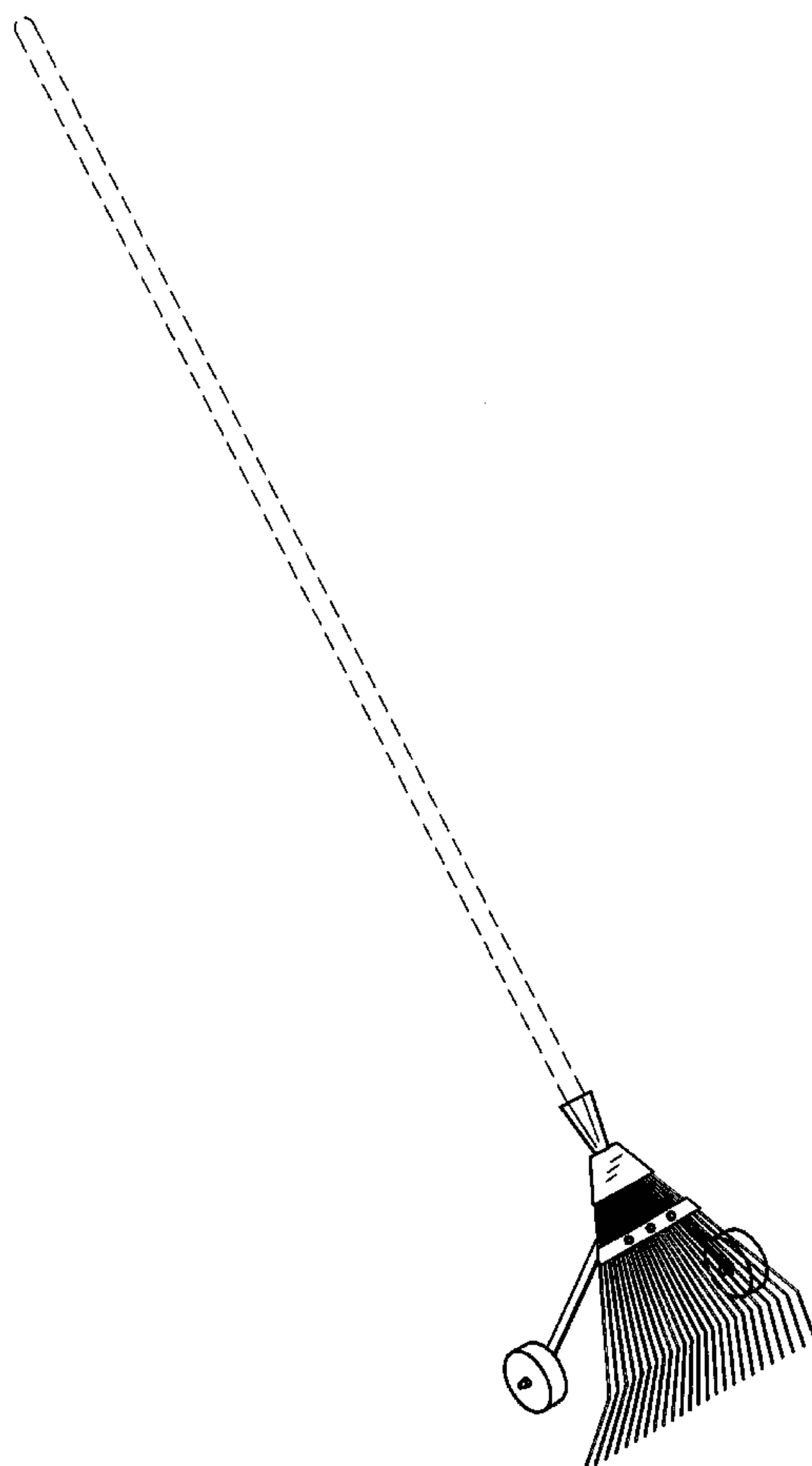
FIG. 4 is a bottom plan view thereof;

FIG. 5 is a front elevational view thereof; and,

FIG. 6 is a rear elevational view thereof.

The broken line showing of the handle is included for the purpose of illustrating environment and forms no part of the claimed design.

1 Claim, 6 Drawing Sheets



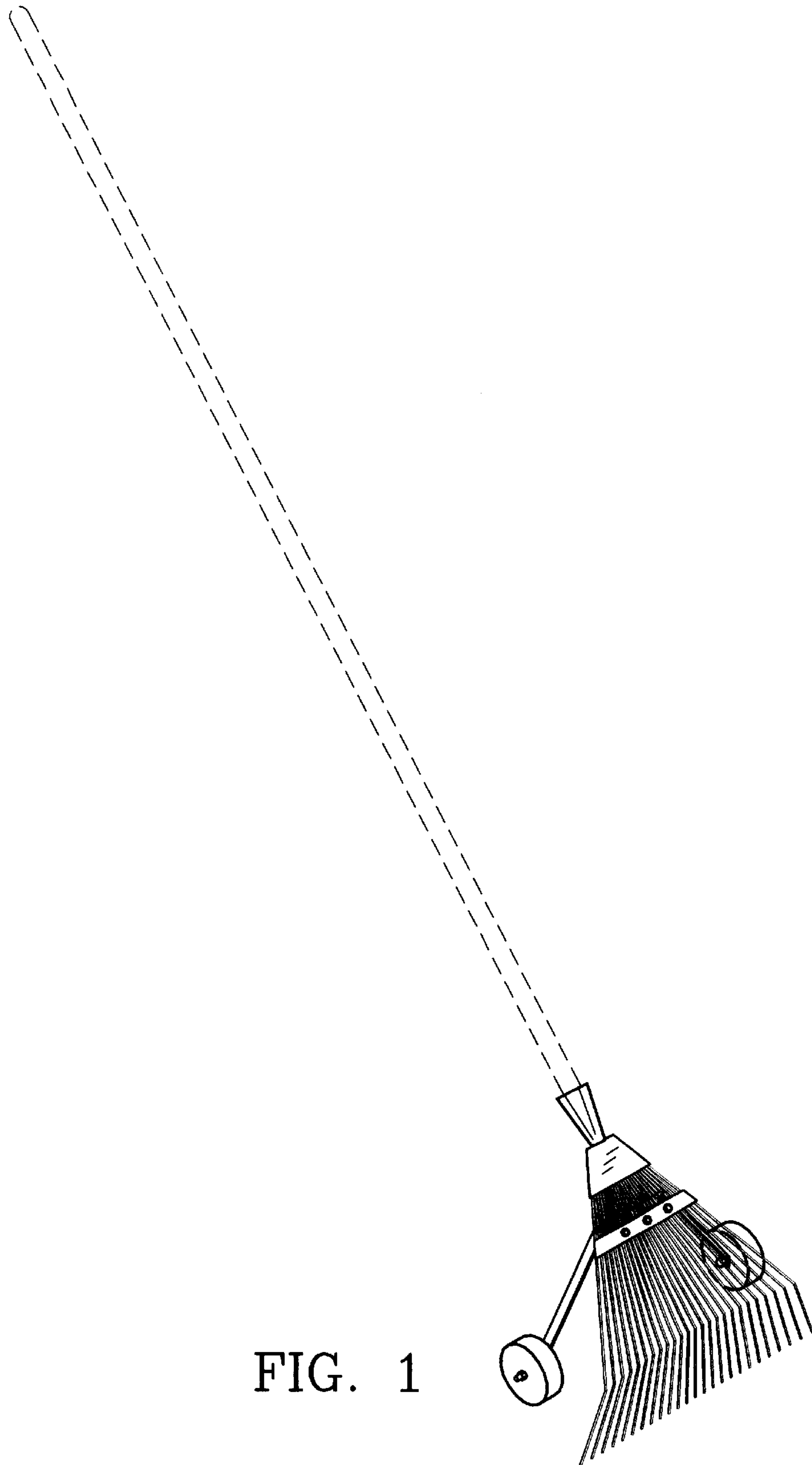


FIG. 1

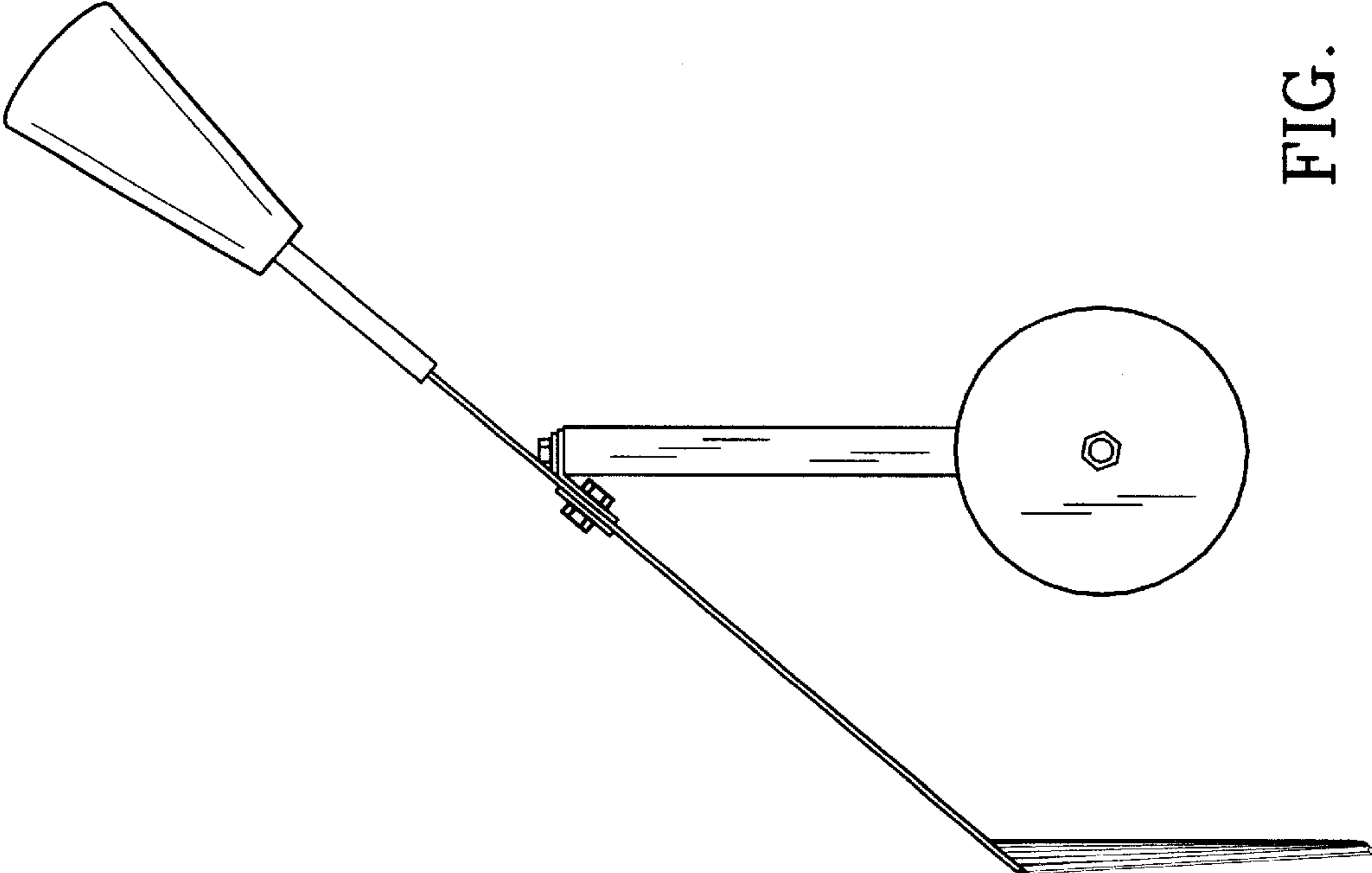


FIG. 2

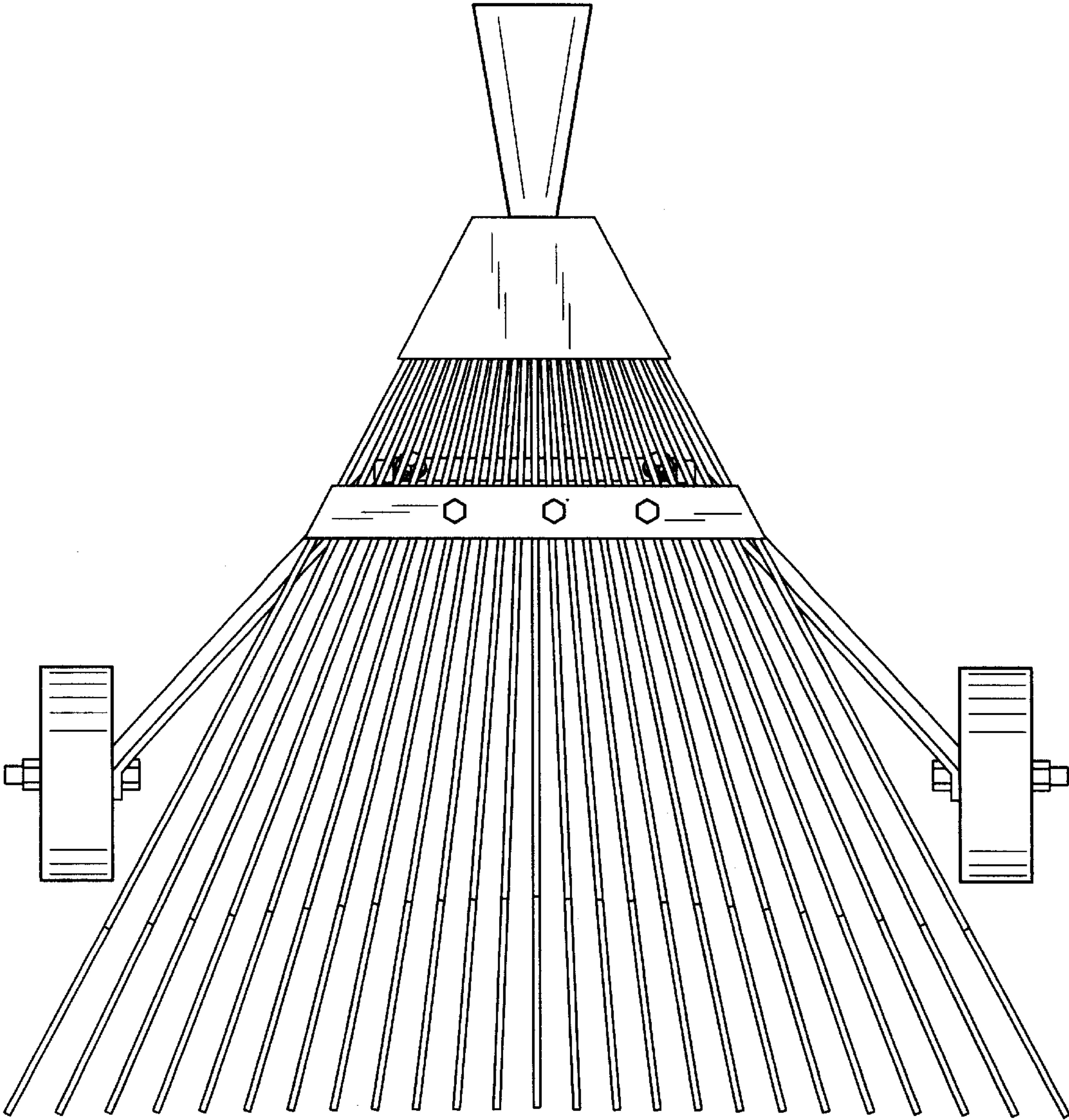


FIG. 3

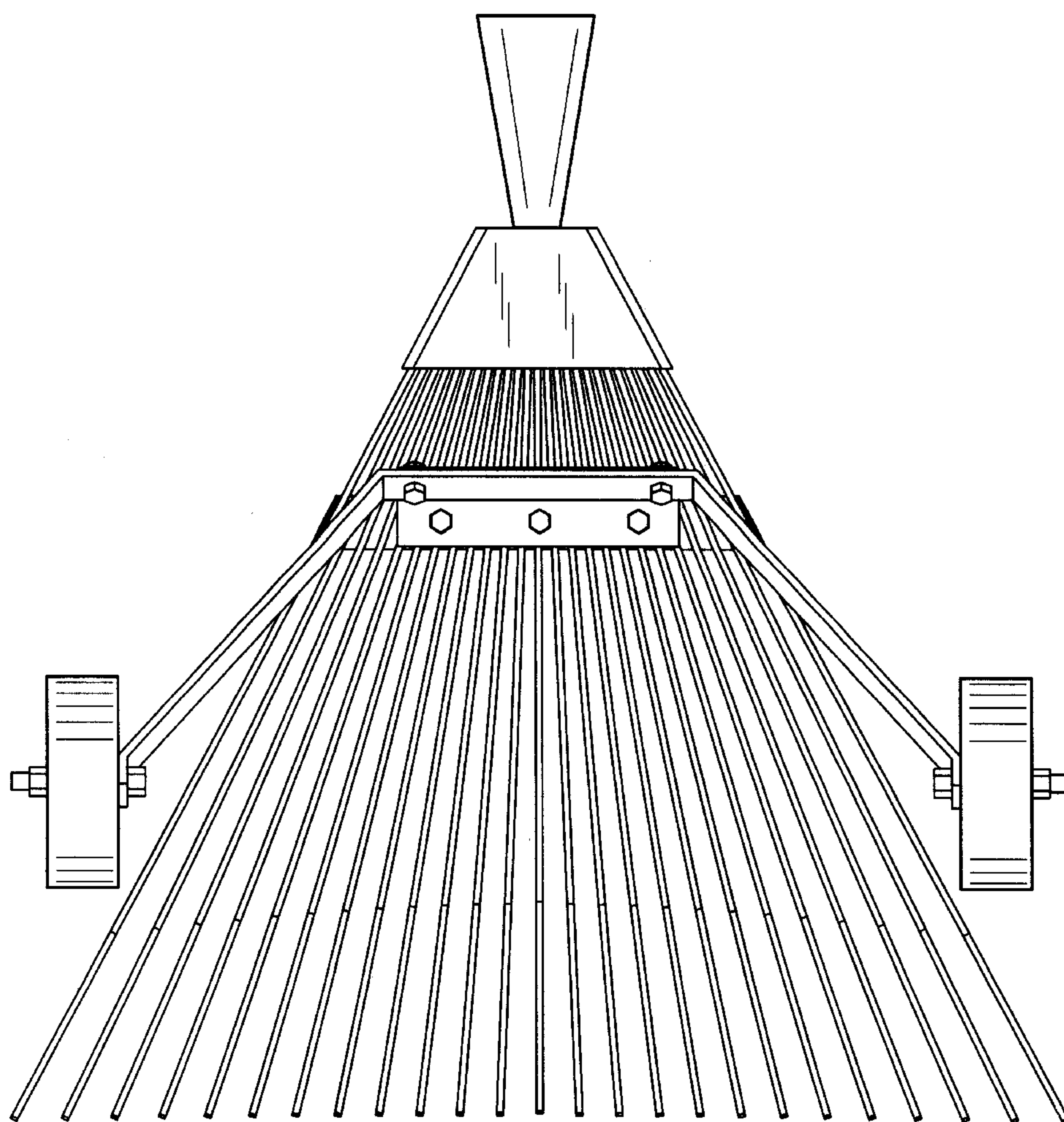


FIG. 4

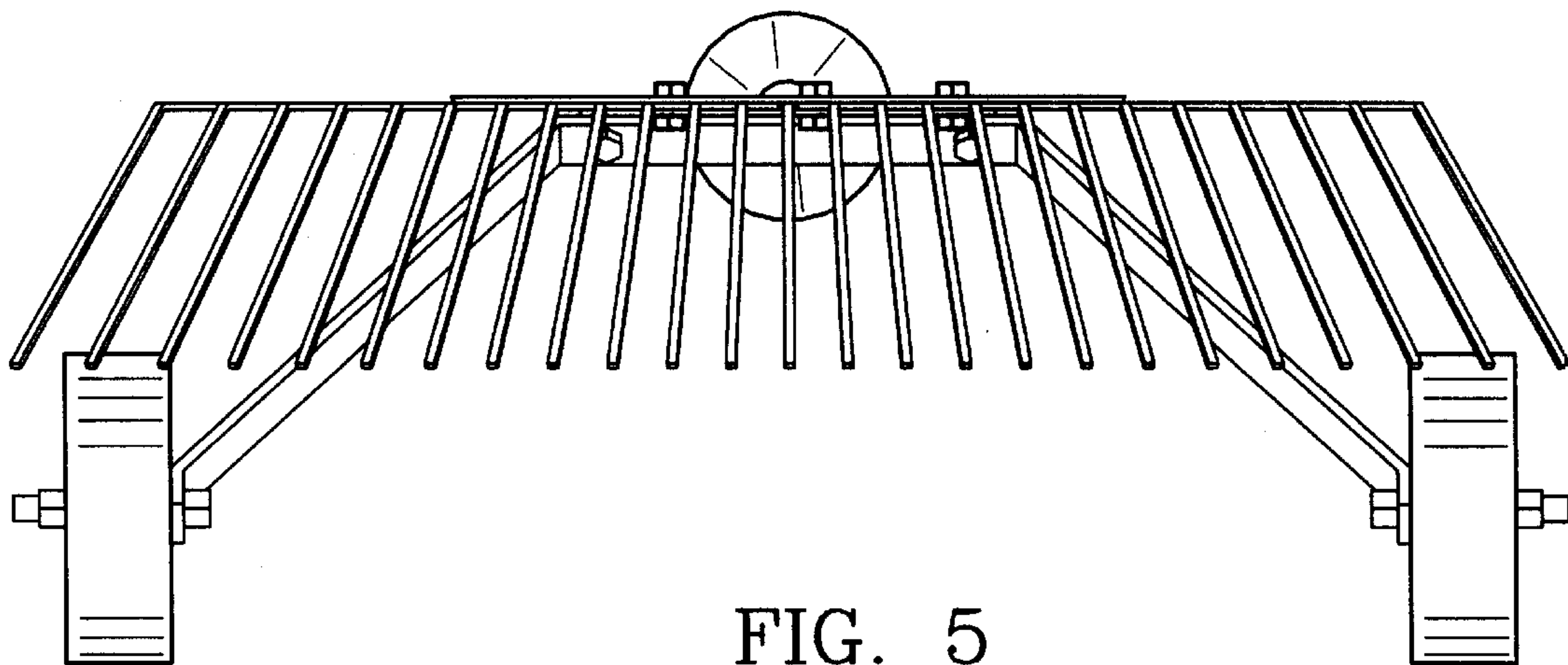


FIG. 5

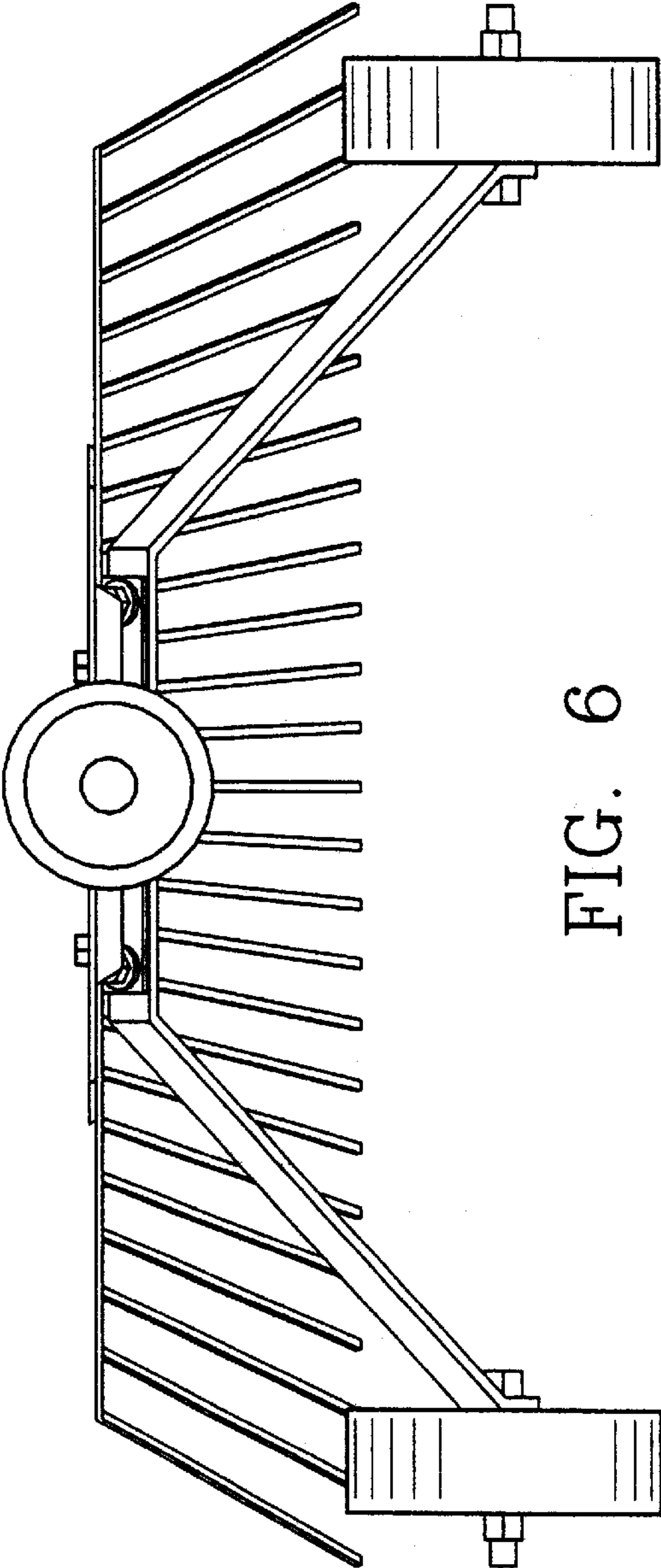


FIG. 6