

US00D543426S

(12) **United States Design Patent**
Donaldson

(10) **Patent No.:** **US D543,426 S**

(45) **Date of Patent:** **** May 29, 2007**

- (54) **AUTOMOTIVE SNOW SHOVEL**
- (76) Inventor: **Velma Donaldson**, 2 Russell Ter.,
Cherry Hill, NJ (US) 08034
- (**) Term: **14 Years**
- (21) Appl. No.: **29/234,377**
- (22) Filed: **Jul. 18, 2005**
- (51) **LOC (8) Cl.** **08-01**
- (52) **U.S. Cl.** **D8/10**
- (58) **Field of Classification Search** D32/74;
D8/10; 294/51, 53.5, 54.5, 56, 58; 37/265
See application file for complete search history.

- 5,367,737 A * 11/1994 Vosbikian et al. 15/257.2
- 5,548,864 A * 8/1996 Vosbikian et al. 15/257.7
- D412,429 S * 8/1999 Toft D8/10
- D422,389 S * 4/2000 Gay D32/74
- D462,244 S * 9/2002 Woods D8/10
- D481,918 S * 11/2003 Atnip et al. D8/10
- D519,794 S * 5/2006 Roberts D8/10

* cited by examiner

Primary Examiner—Holly H. Baynham
Assistant Examiner—Sheryl Friedman

(57) **CLAIM**

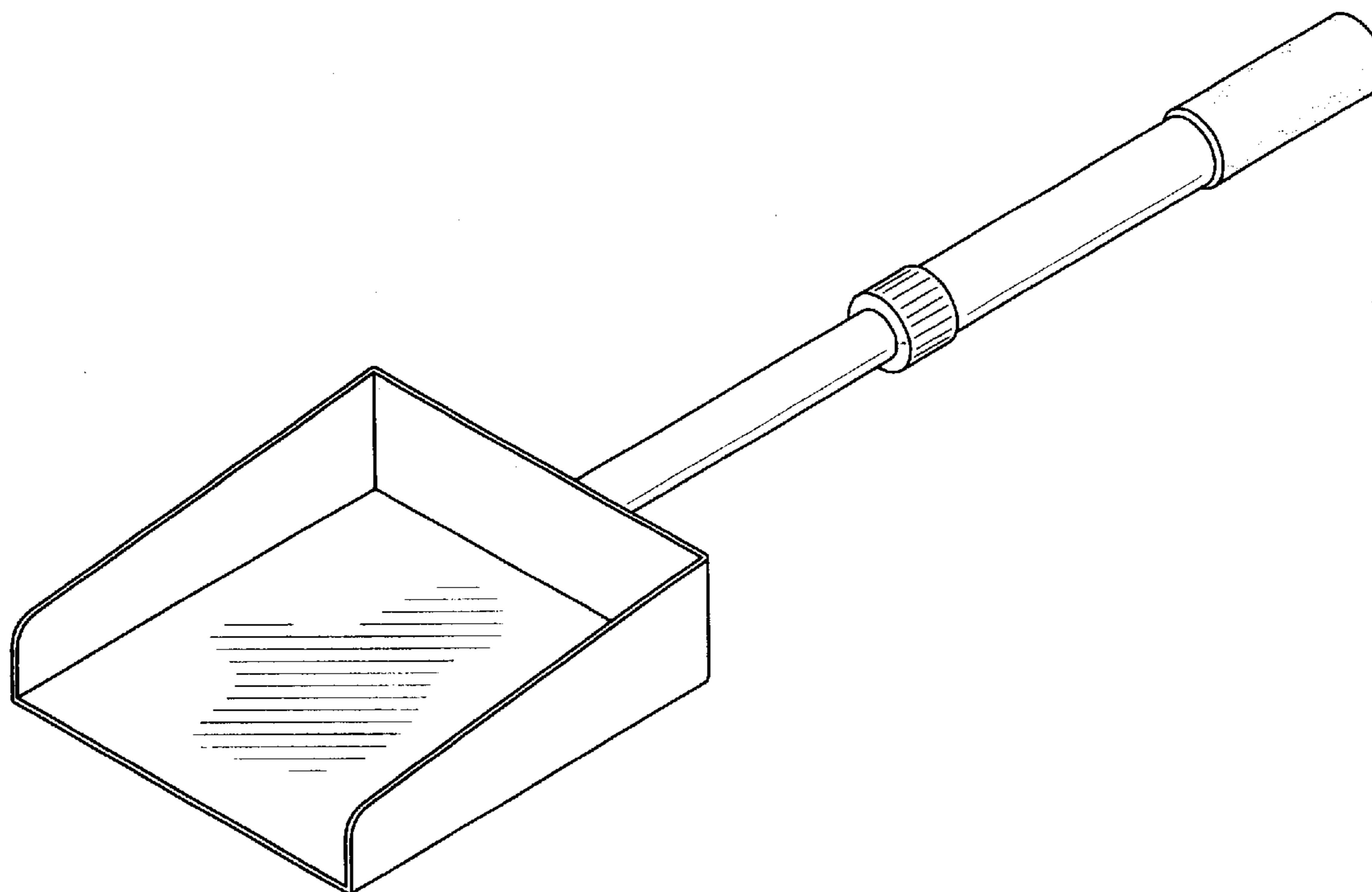
I claim, the ornamental design for the automotive snow shovel, as shown.

DESCRIPTION

FIG. 1 is a front view of the automotive snow shovel;
FIG. 2 is a back view of the automotive snow shovel;
FIG. 3 is a right side view of the automotive snow shovel;
FIG. 4 is a top view of the automotive snow shovel;
FIG. 5 is a bottom view of the automotive snow shovel; and,
FIG. 6 is a perspective view of the automotive snow shovel.

1 Claim, 3 Drawing Sheets

- (56) **References Cited**
- U.S. PATENT DOCUMENTS
- D54,891 S * 4/1920 Brule D32/74
- 2,887,337 A * 5/1959 Begue 294/55
- 2,987,749 A * 6/1961 Gortner 15/257.7
- D219,122 S * 11/1970 Droler D8/10
- D271,369 S * 11/1983 Gesner D8/10
- D339,437 S * 9/1993 Hinderer D32/74



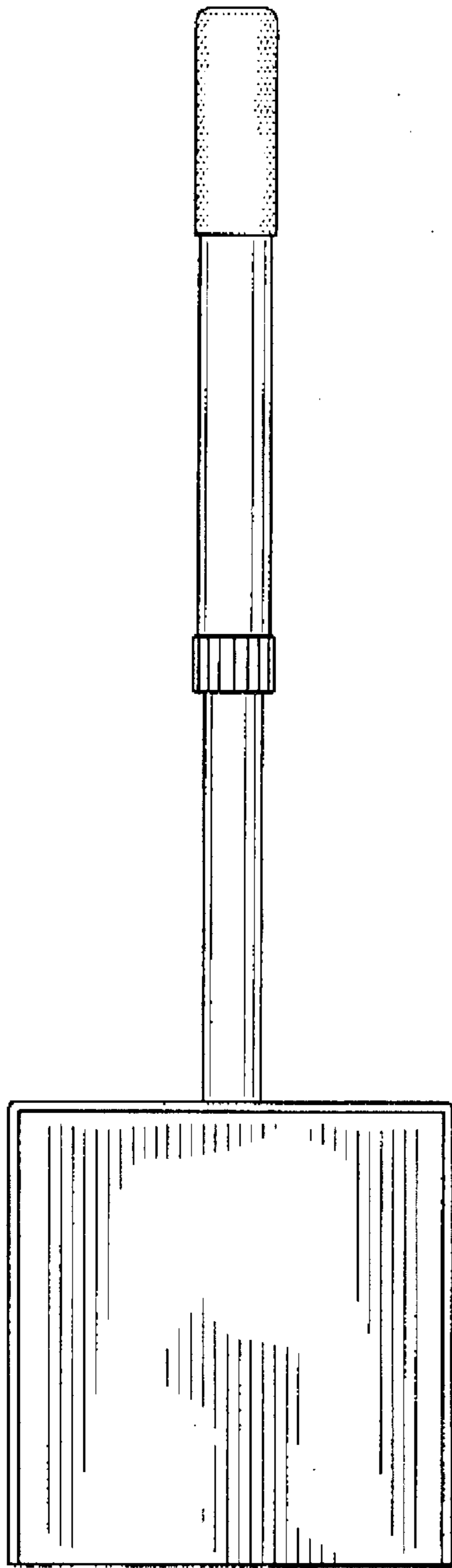


FIG.1

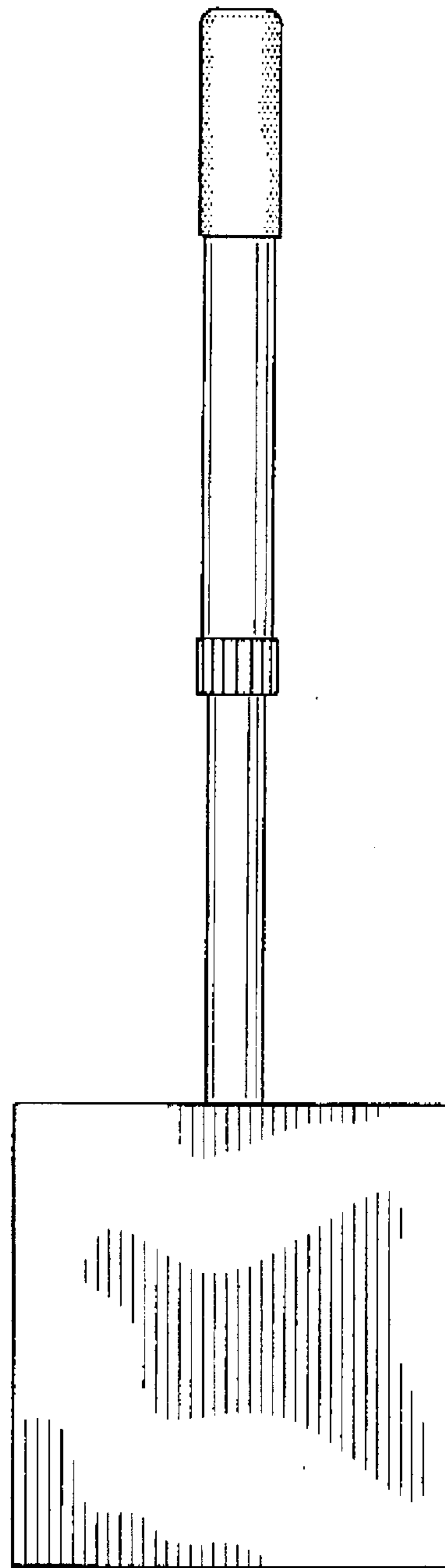


FIG.2

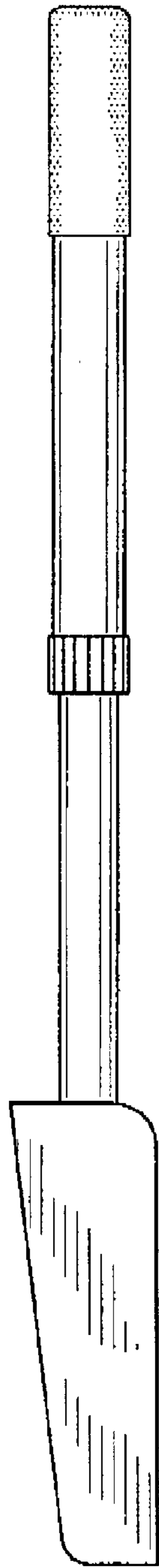


FIG.3

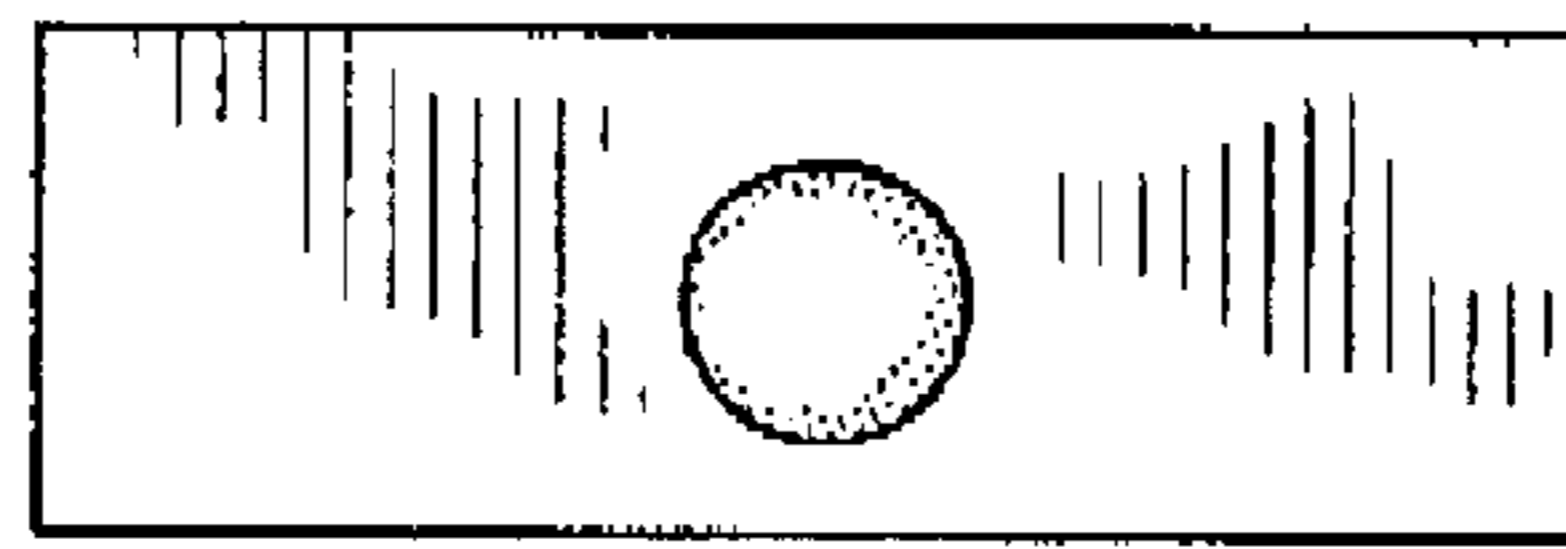


FIG.4

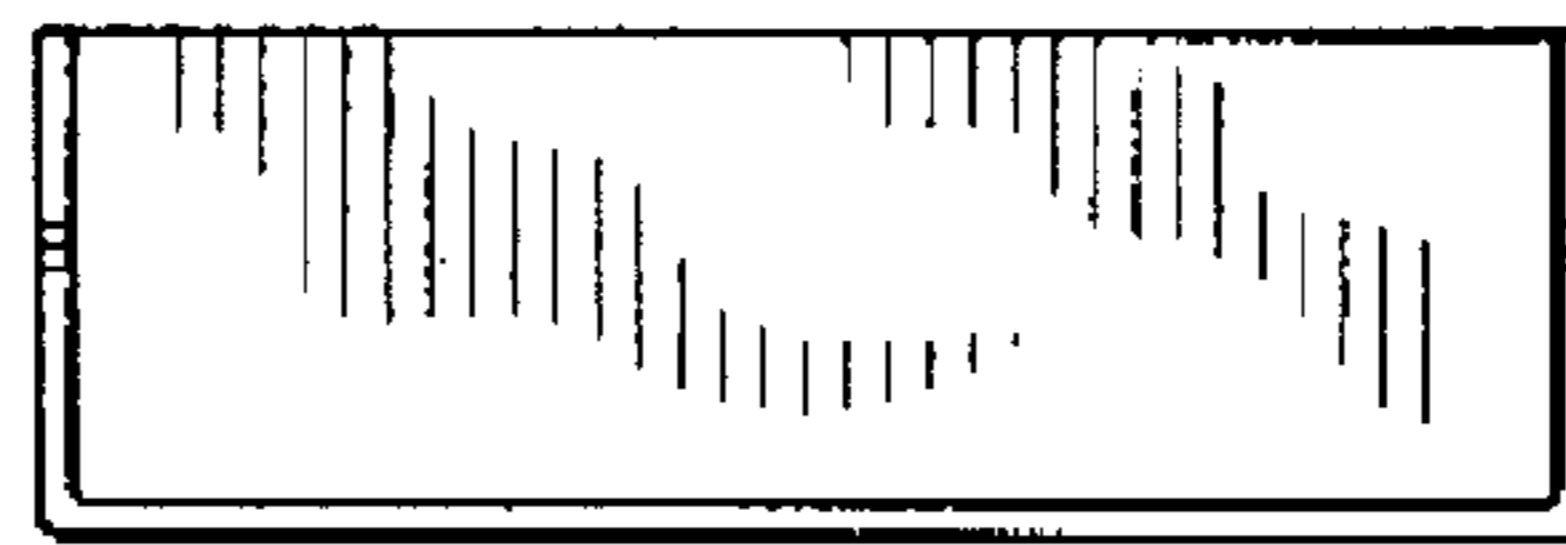


FIG.5

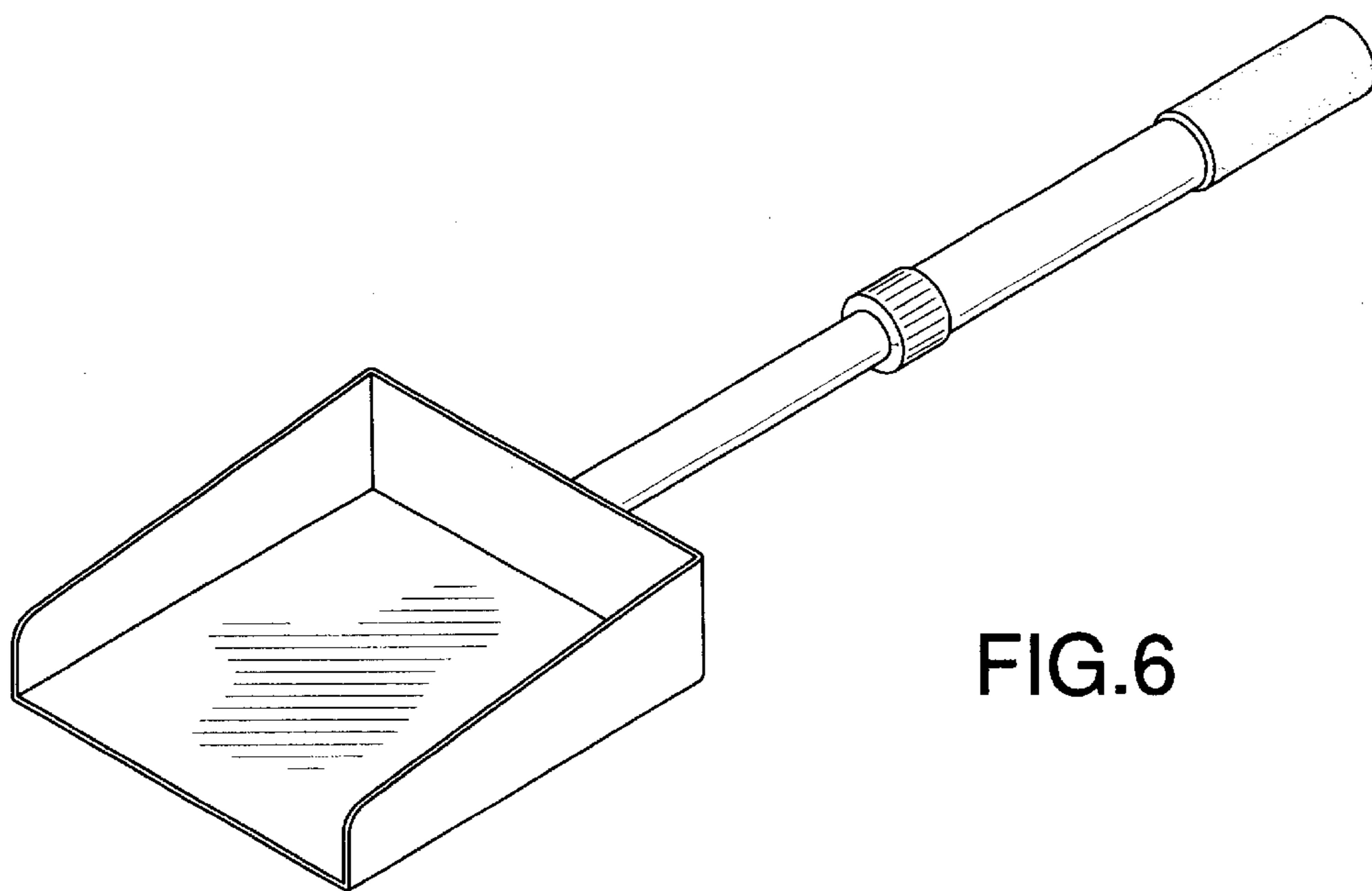


FIG.6