

US00D543425S

(12) **United States Design Patent**  
**Fiore et al.**

(10) **Patent No.:** **US D543,425 S**  
(45) **Date of Patent:** **\*\* May 29, 2007**

(54) **COLLAPSIBLE POOL SKIMMER COVER/  
BASKET RETRIEVAL DEVICE**

(76) Inventors: **Sharon Fiore**, 61 Highland Meadow  
Dr., North Attleboro, MA (US) 02760;  
**Alex Fiore**, 61 Highland Meadow Dr.,  
North Attleboro, MA (US) 02760

(\*\*) **Term:** **14 Years**

(21) **Appl. No.:** **29/230,116**

(22) **Filed:** **May 18, 2005**

(51) **LOC (8) Cl.** ..... **08-01**

(52) **U.S. Cl.** ..... **D8/10**

(58) **Field of Classification Search** ..... 294/53,  
294/54, 55.5, 57; D8/1, 10, 14, 370  
See application file for complete search history.

(56) **References Cited**

**U.S. PATENT DOCUMENTS**

- 3,960,021 A \* 6/1976 Jones ..... 73/864.51
- D384,253 S \* 9/1997 Patino ..... D8/14
- D385,076 S \* 10/1997 Milbury ..... D34/10
- D395,808 S \* 7/1998 Loucks ..... D8/14
- D416,772 S \* 11/1999 Milbury ..... D8/14

D507,688 S \* 7/2005 Jean ..... D34/10

\* cited by examiner

*Primary Examiner*—Holly H. Baynham  
*Assistant Examiner*—Sheryl Friedman

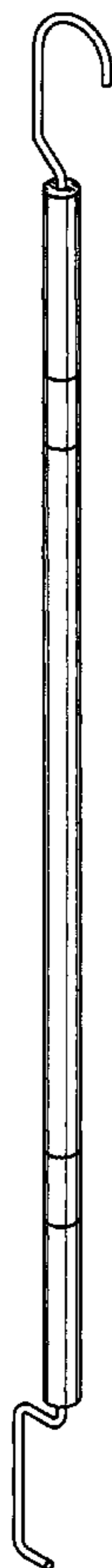
(57) **CLAIM**

The ornamental design for a collapsible pool skimmer  
cover/basket retrieval device, as shown and described.

**DESCRIPTION**

FIG. 1 is a perspective view of the collapsible pool skimmer  
cover/basket retrieval device showing our new design;  
FIG. 2 is an enlarged perspective view shown broken away  
for ease of illustration  
FIG. 3 is a front view of FIG. 2;  
FIG. 4 is a left side view of FIG. 2;  
FIG. 5 is a right side view of FIG. 2;  
FIG. 6 is a top view of FIG. 2;  
FIG. 7 is a bottom view of FIG. 2;  
FIG. 8 is an exploded perspective view of the invention of  
FIG. 1; and,  
FIG. 9 is a perspective view of a shorter length embodiment  
of FIG. 1.

**1 Claim, 5 Drawing Sheets**



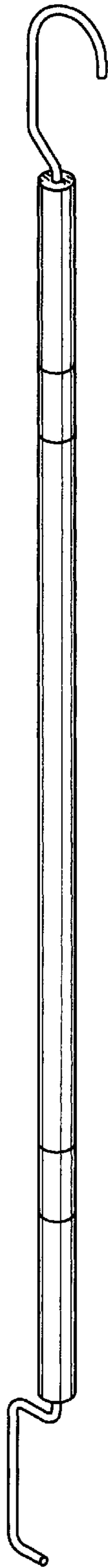


FIG. 1

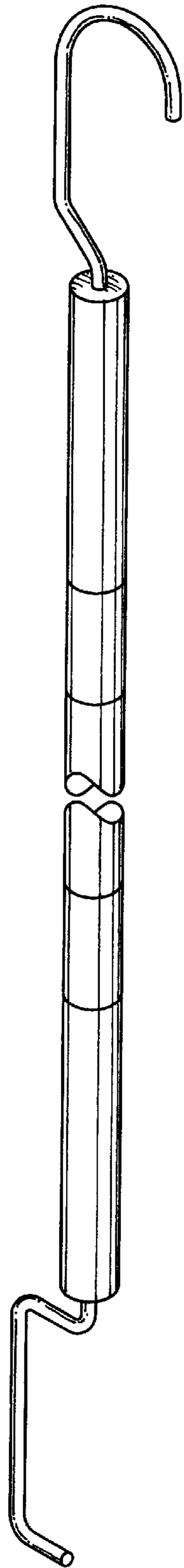


FIG. 2

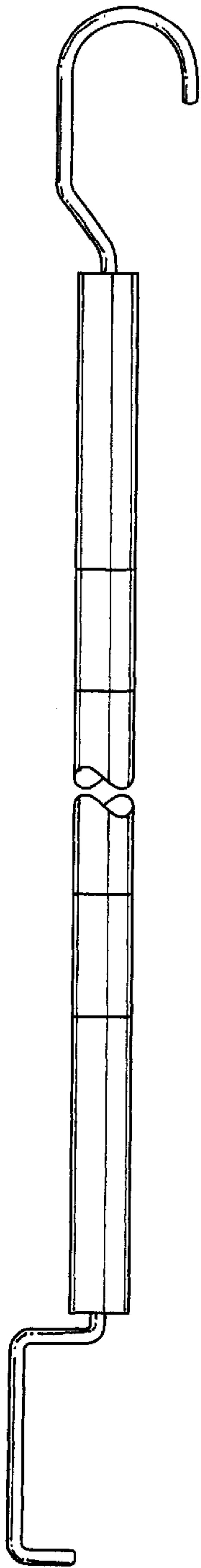


FIG. 3

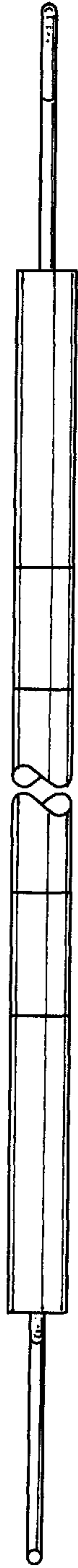


FIG. 4



FIG. 5



FIG. 6



FIG. 7

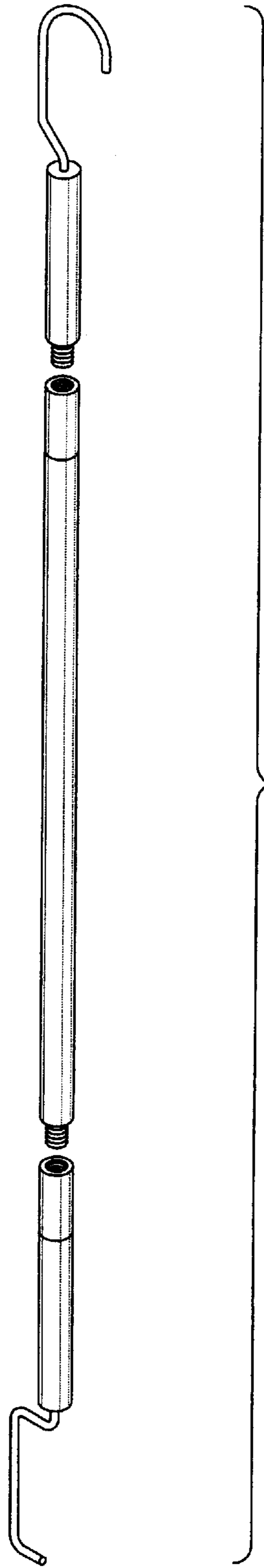


FIG. 8

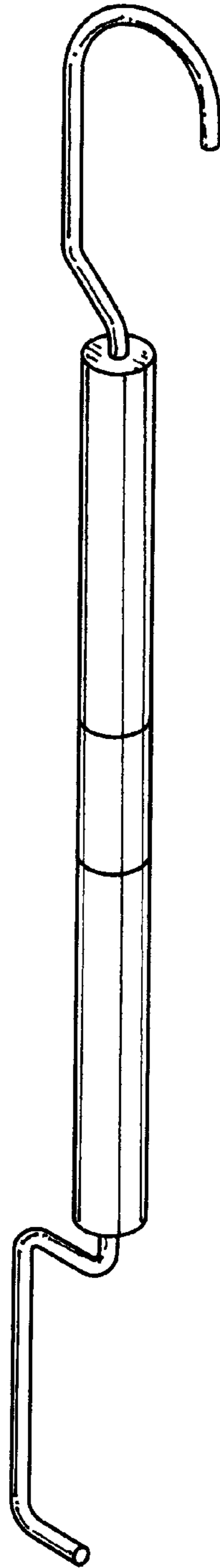


FIG. 9