

US00D543422S

(12) **United States Design Patent**
Kaposi

(10) **Patent No.:** **US D543,422 S**

(45) **Date of Patent:** **** May 29, 2007**

(54) **VEGETABLE DICER**

(75) Inventor: **Sascha Kaposi**, Tacoma, WA (US)

(73) Assignee: **Progressive International Corporation**, Kent, WA (US)

(**) Term: **14 Years**

(21) Appl. No.: **29/247,311**

(22) Filed: **Jun. 9, 2006**

(51) **LOC (8) Cl.** **07-04**

(52) **U.S. Cl.** **D7/674**

(58) **Field of Classification Search** D7/672-677,
D7/693; 30/114-117, 303, 304; 99/538,
99/545, 537; 83/651.1, 662, 597, 167, 856,
83/857, 669; 241/95, 168, 169, 273.1-273.4,
241/274, 257.1, 285.2

See application file for complete search history.

(56) **References Cited**

U.S. PATENT DOCUMENTS

- 662,588 A 11/1900 Bloom
- 751,433 A 2/1904 Kennedy et al.
- 809,952 A 1/1906 Hoffa
- 928,019 A 7/1909 Bartow
- 1,504,501 A 8/1924 Pope
- 1,674,475 A 6/1928 Loomis
- 2,030,975 A 2/1936 Fairchild
- 2,309,814 A 2/1943 Youngberg
- 3,077,213 A 2/1963 Germano
- 3,997,072 A 12/1976 Guth
- 4,095,339 A 6/1978 Turner
- 4,212,431 A 7/1980 Doyel
- 4,457,070 A 7/1984 Reeves
- 4,513,501 A * 4/1985 Lee 30/115
- 4,557,053 A 12/1985 Hadley, Jr.
- 4,574,479 A 3/1986 Gramann
- 4,697,488 A * 10/1987 Cole 83/437.2
- 5,303,472 A 4/1994 Mbanugo
- 5,499,578 A 3/1996 Payne
- 5,516,038 A 5/1996 Zaccarini
- 5,692,424 A * 12/1997 Wallace 83/167

- 5,937,525 A 8/1999 Chan
- 5,947,016 A 9/1999 Repac et al.
- 5,967,875 A 10/1999 Graef
- 6,209,439 B1 4/2001 Repac et al.
- D443,800 S * 6/2001 Weterrings D7/670
- 6,401,605 B1 6/2002 Repac et al.
- 6,558,244 B1 5/2003 Nedelka
- D485,328 S 1/2004 Jastrzembski
- 6,805,032 B2 10/2004 Engdahl
- D499,615 S 12/2004 Nordgren
- D512,609 S * 12/2005 Kaposi D7/672
- 2002/0003144 A1 1/2002 Grimes
- 2003/0051345 A1 3/2003 Yeung Louie et al.
- 2004/0055437 A1 3/2004 Engdahl
- 2005/0178262 A1 8/2005 Repac et al.
- 2006/0101973 A1 5/2006 Repac et al.

FOREIGN PATENT DOCUMENTS

WO 02064331 8/2002

* cited by examiner

Primary Examiner—Terry A. Wallace

(74) *Attorney, Agent, or Firm*—Black Lowe & Graham, PLLC

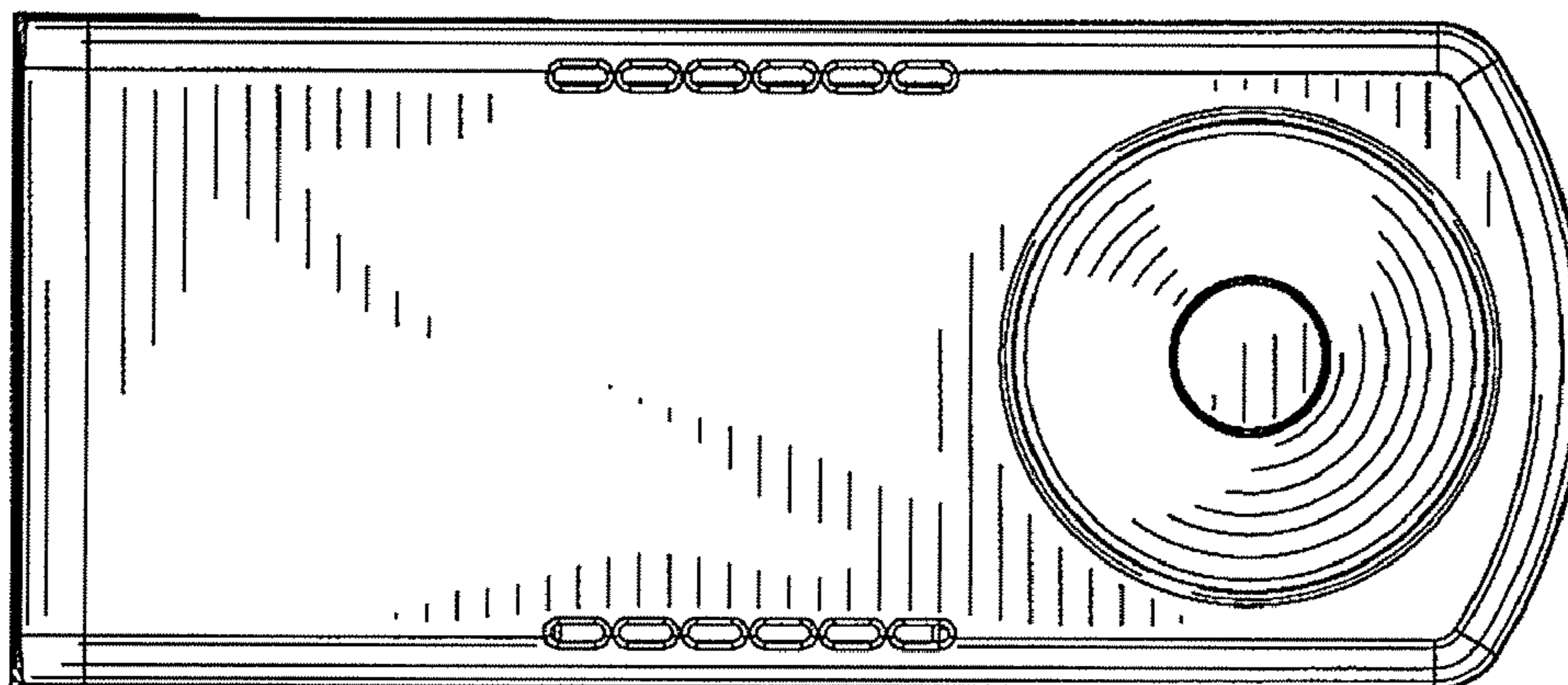
(57) **CLAIM**

The ornamental design for a vegetable dicer, as shown and described.

DESCRIPTION

- FIG. 1 is a top view of the vegetable dicer;
- FIG. 2 is a front view of the vegetable dicer;
- FIG. 3 is a back view of the vegetable dicer;
- FIG. 4 is a bottom view of the vegetable dicer;
- FIG. 5 is a right side view of the vegetable dicer;
- FIG. 6 is a left side view of the vegetable dicer;
- FIG. 7 is a perspective view of the vegetable dicer, shown with a lid in a closed position; and,
- FIG. 8 is a perspective view of the vegetable dicer, shown with the lid in an open position.

1 Claim, 5 Drawing Sheets



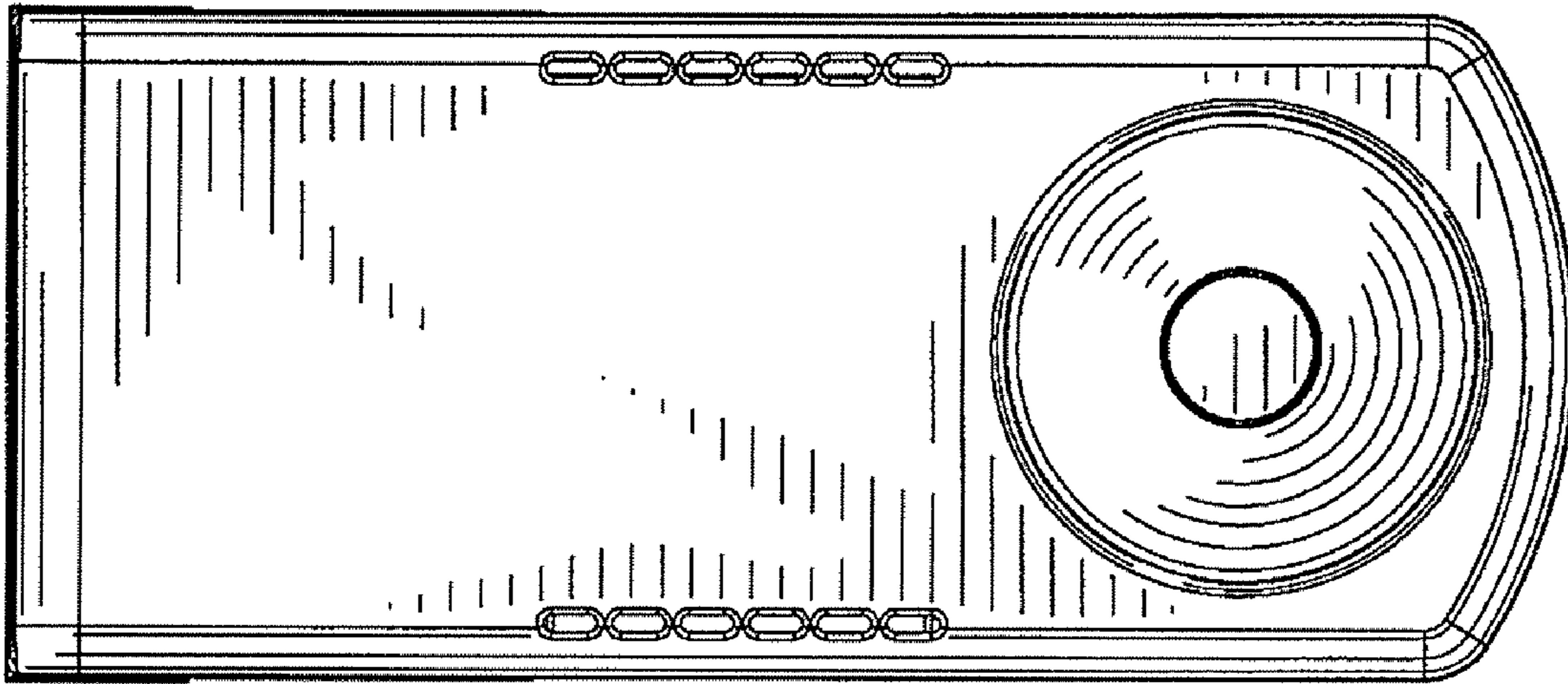


FIG.1

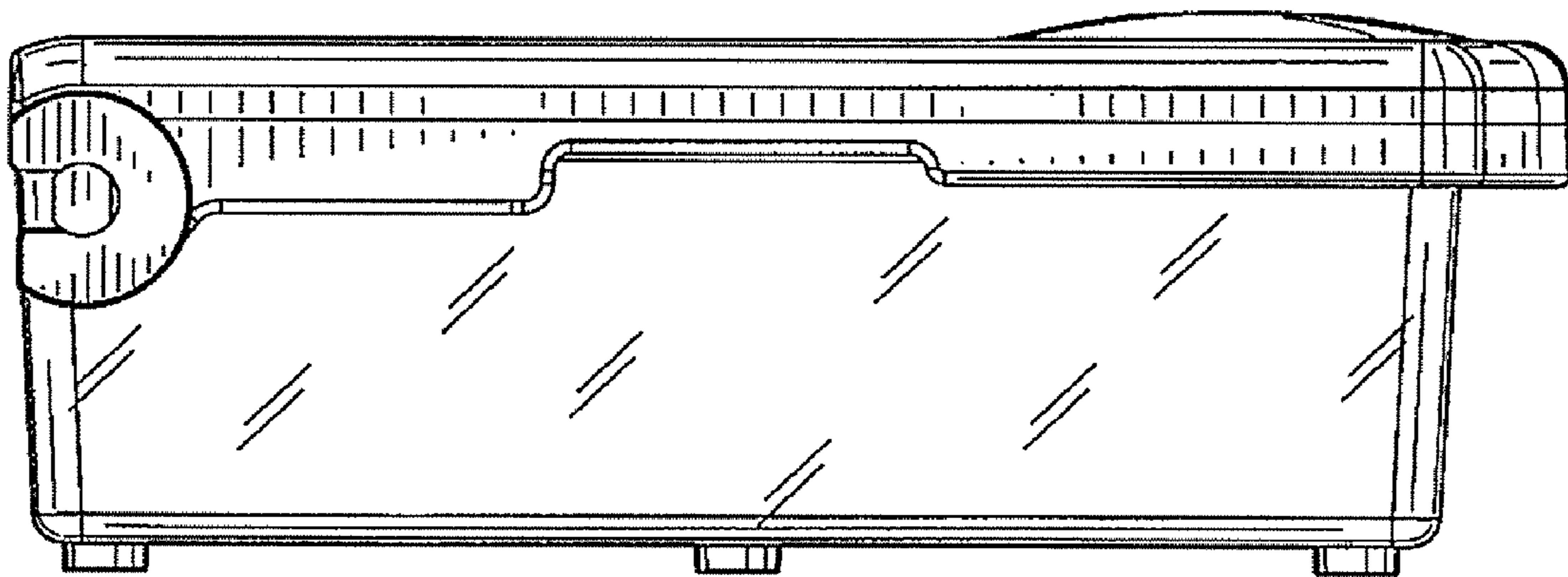


FIG.2

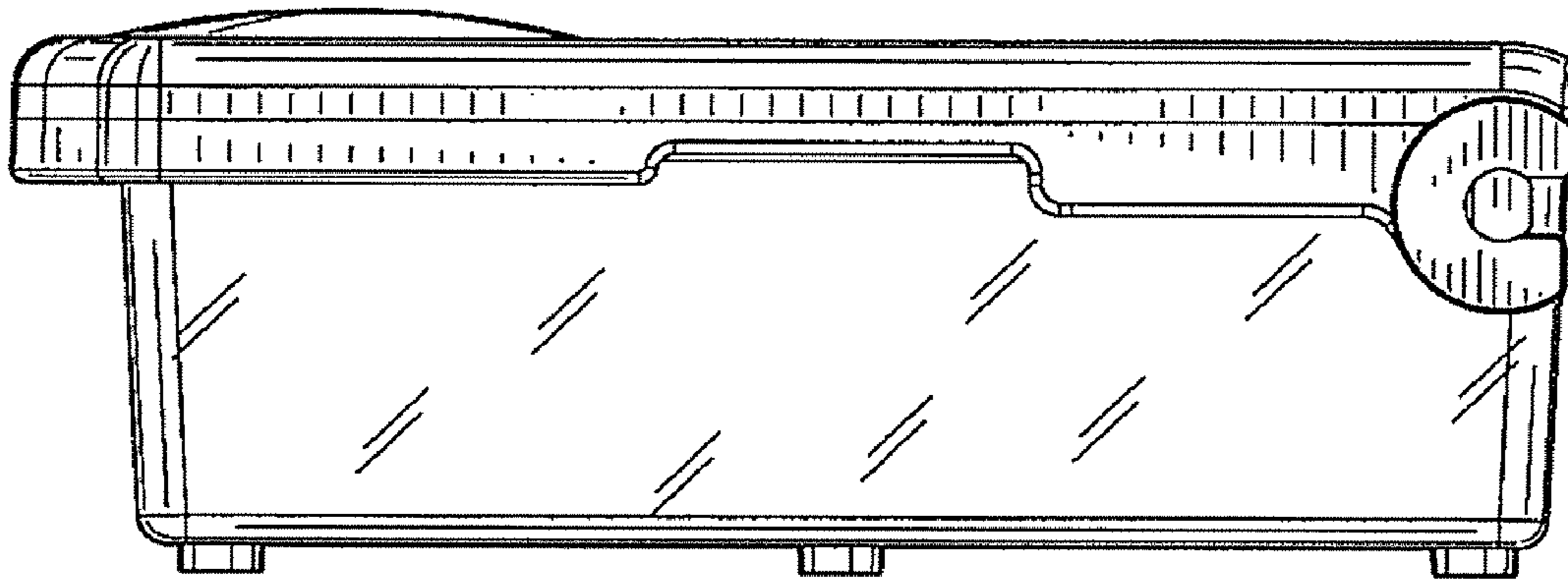


FIG. 3

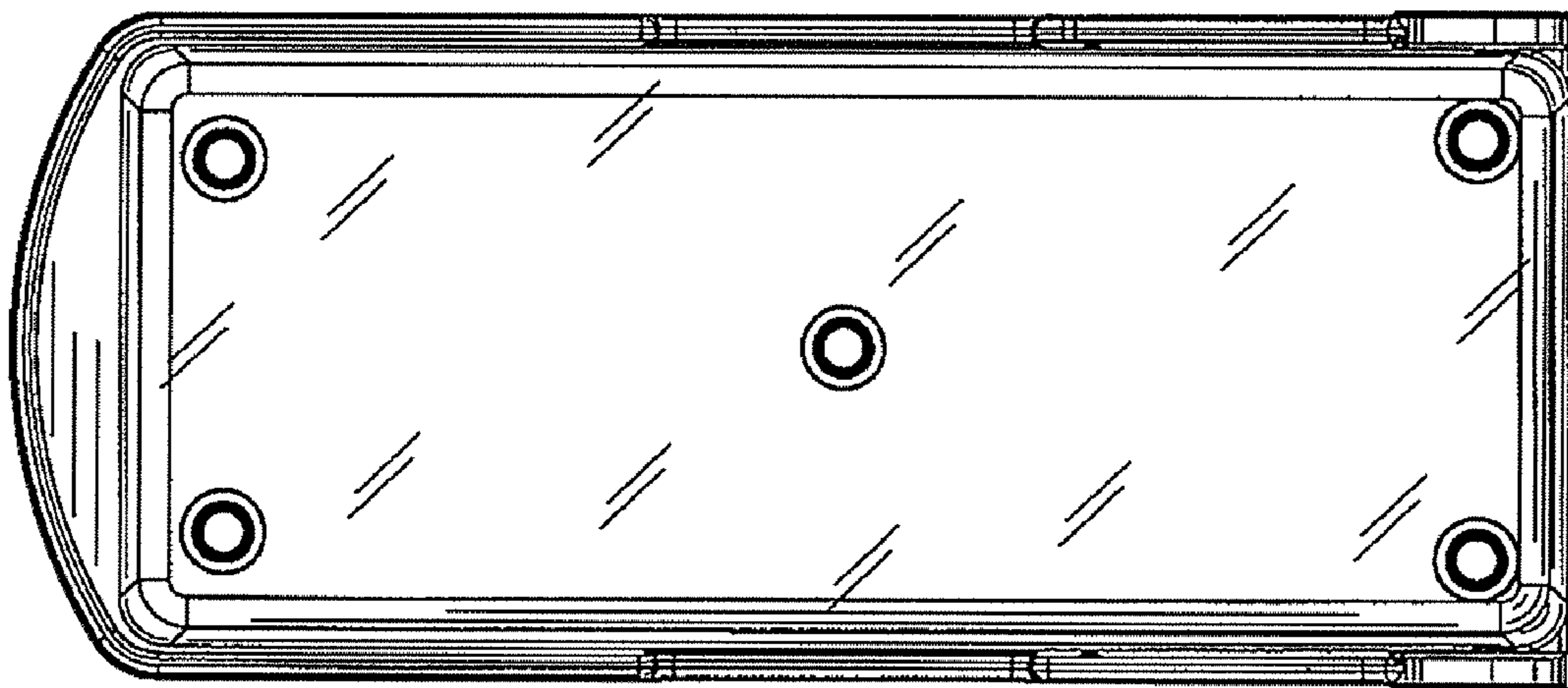


FIG. 4

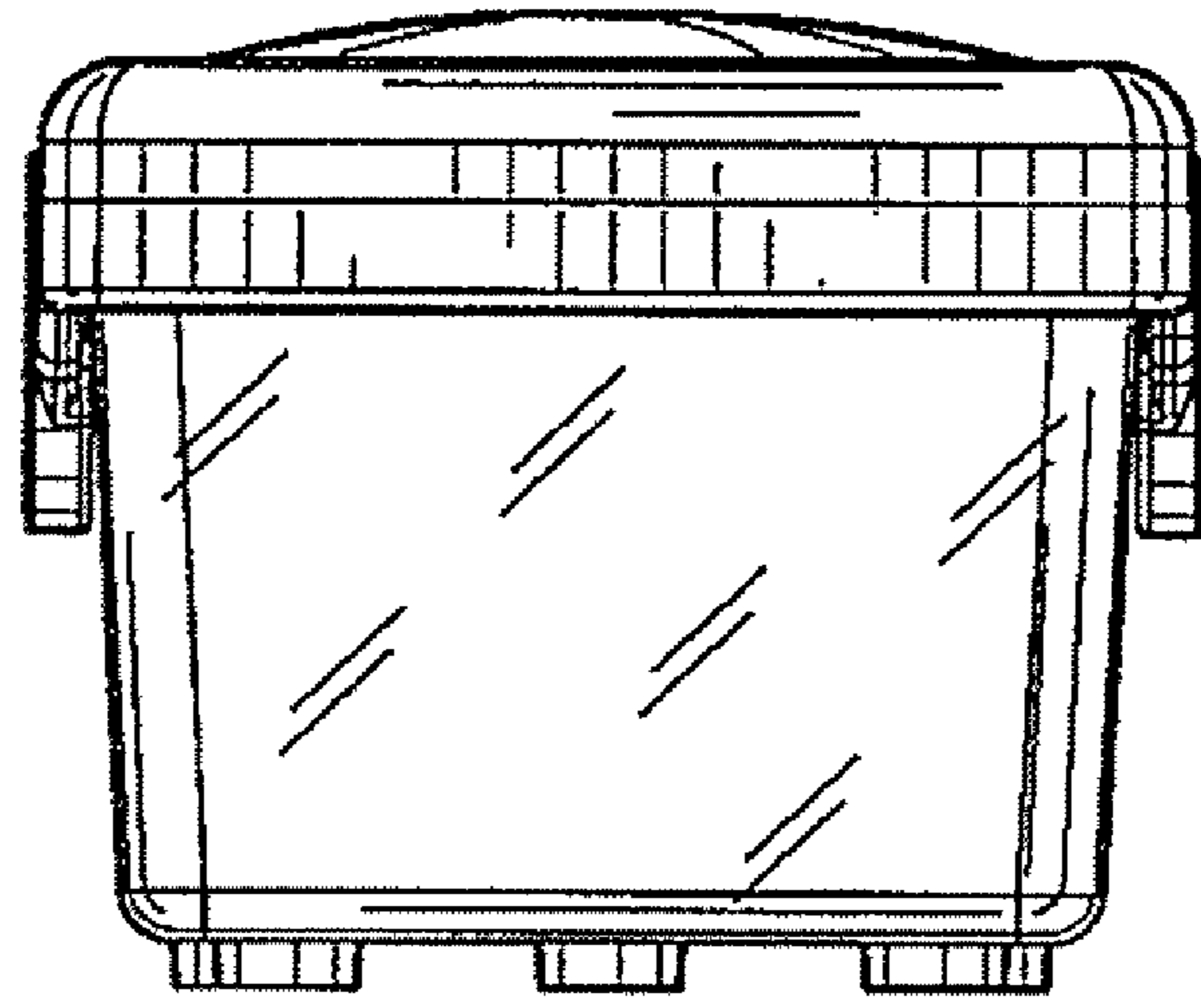


FIG. 5

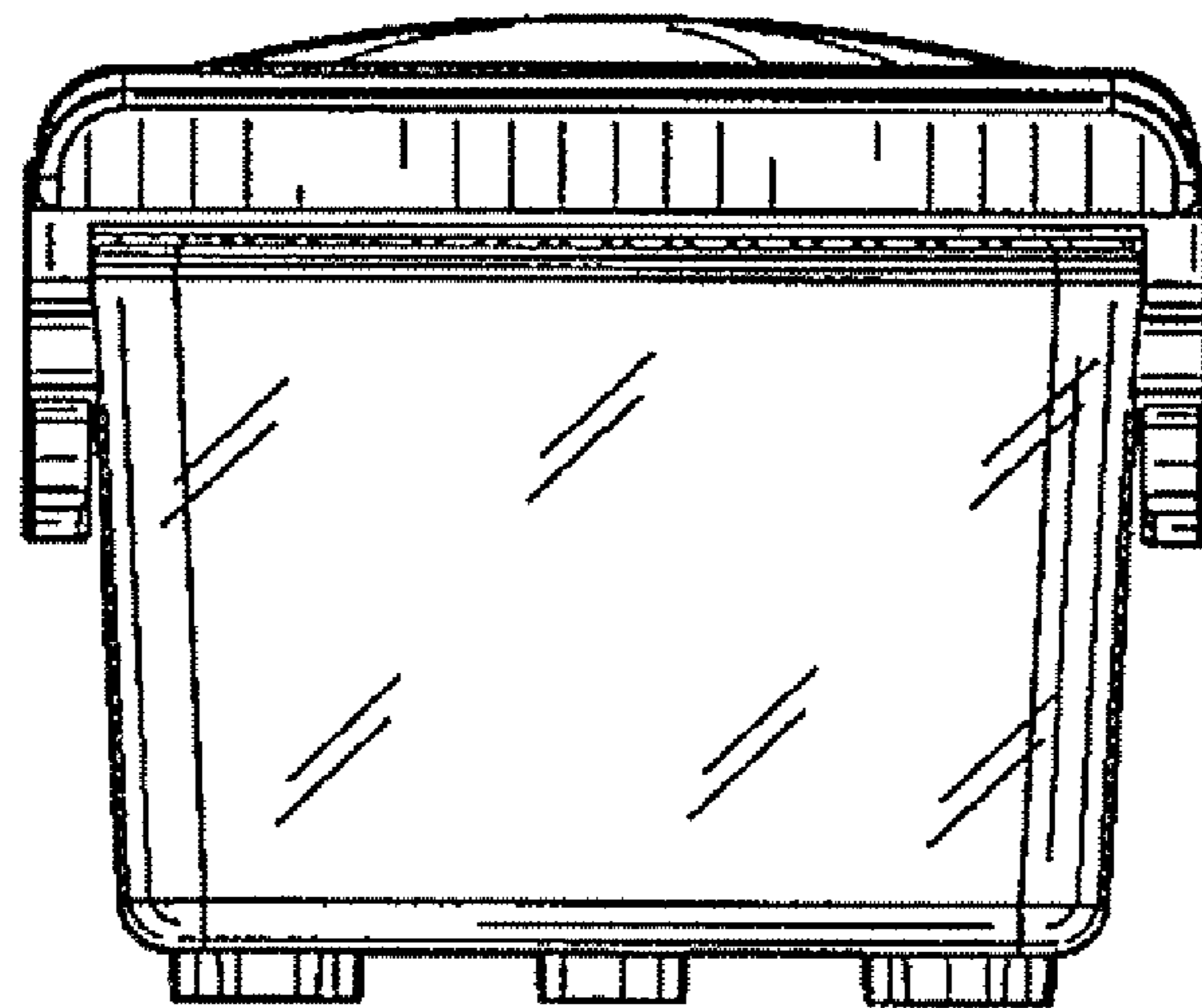


FIG. 6

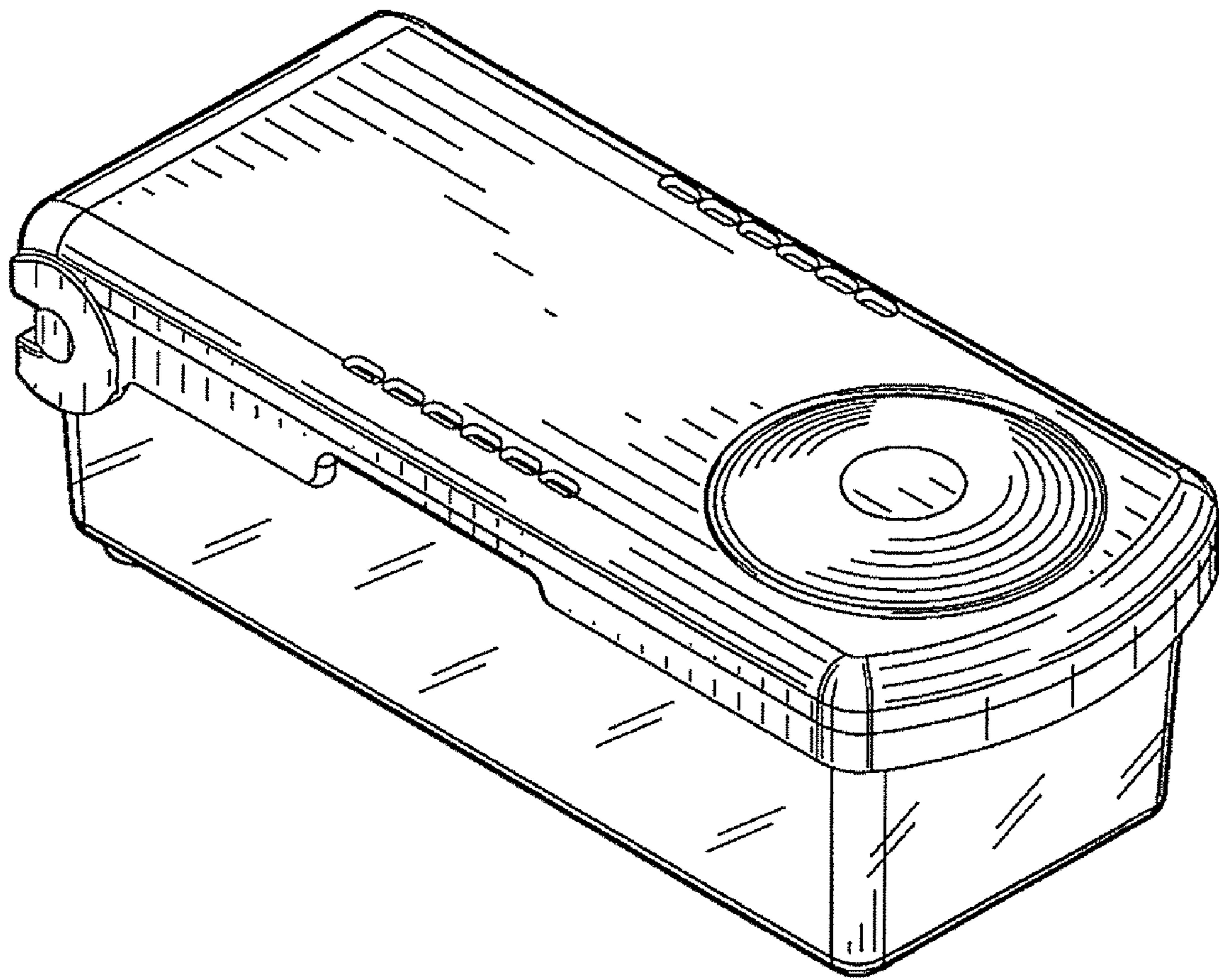


FIG. 7

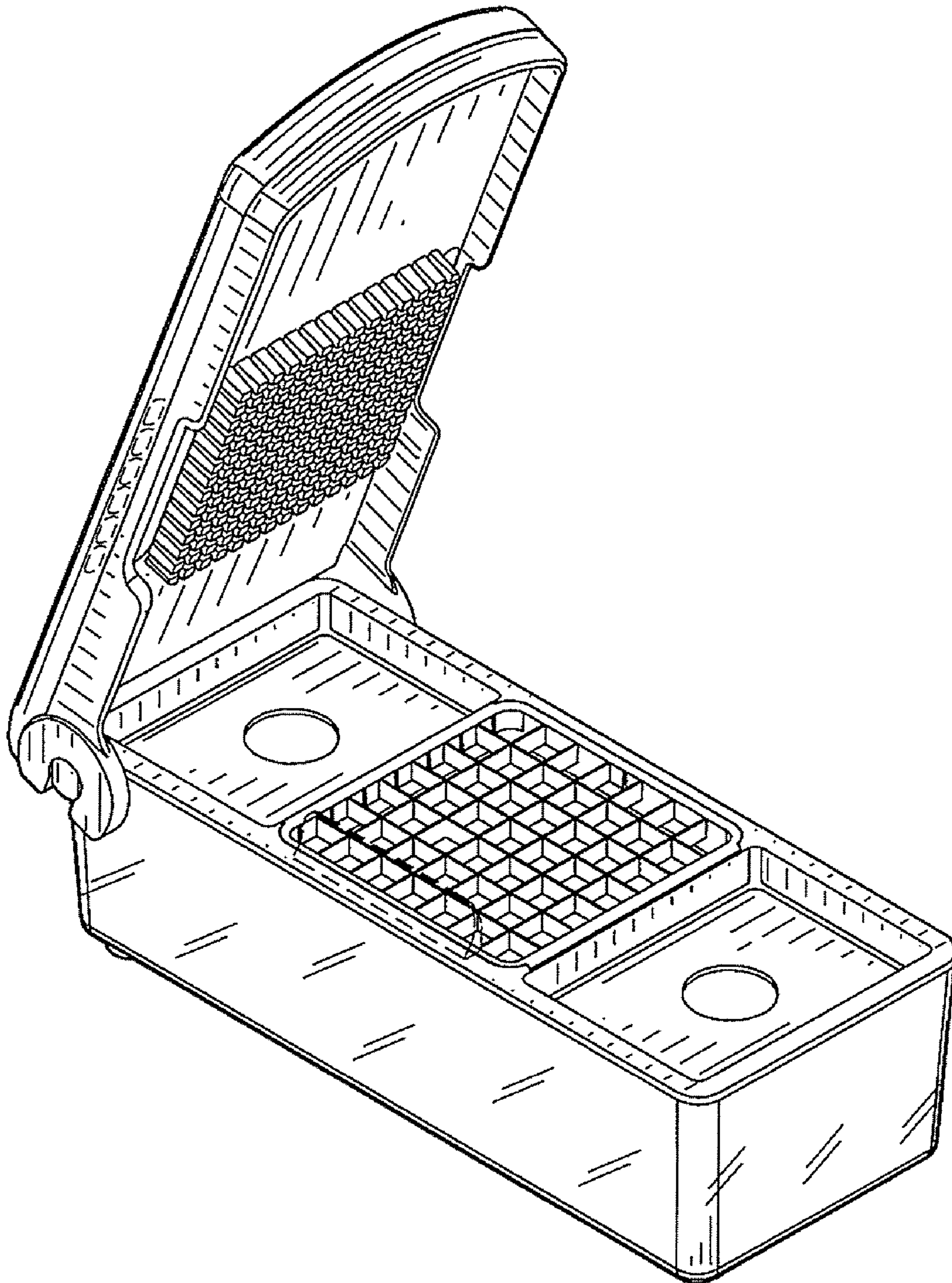


FIG. 8