

US00D543419S

(12) **United States Design Patent** (10) **Patent No.:** **US D543,419 S**  
**Zemel** (45) **Date of Patent:** **\*\* May 29, 2007**

(54) **SEASONING INFUSER**

(75) Inventor: **Marc Zemel**, Melville, NY (US)

(73) Assignee: **Mr. Bar-B-Q-, Inc.**, Old Bethpage, NY (US)

(\*\*) Term: **14 Years**

(21) Appl. No.: **29/247,825**

(22) Filed: **Jul. 14, 2006**

(51) **LOC (8) Cl.** ..... **07-04**

(52) **U.S. Cl.** ..... **D7/669; D24/130**

(58) **Field of Classification Search** ..... D7/368,  
D7/669; 99/532-535, 516, 345-347; 452/146;  
D24/112-115, 130

See application file for complete search history.

(56) **References Cited**

**U.S. PATENT DOCUMENTS**

3,590,722 A *	7/1971	Leprone	99/532
D232,296 S *	8/1974	McNair	D7/669
D263,271 S *	3/1982	Kalb	D7/669
5,934,187 A *	8/1999	Leon	99/516
D440,128 S *	4/2001	Zemel	D7/669

\* cited by examiner

*Primary Examiner*—Terry A. Wallace

(74) *Attorney, Agent, or Firm*—Seth Natter; Natter & Natter

(57) **CLAIM**

The ornamental design for a seasoning infuser, as shown and described.

**DESCRIPTION**

FIG. 1 is a front elevational view of a seasoning infuser showing my new design;

FIG. 2 is a side elevational view thereof;

FIG. 3 is a top plan view thereof;

FIG. 4 is a bottom view thereof;

FIG. 5 is an auxiliary thereof, taken along the line 5—5 of FIG. 2;

FIG. 6 is an auxiliary view thereof, taken along line 6—6 of FIG. 2; and,

FIG. 7 is a perspective view thereof.

The rear elevation is a mirror image of the front elevational view shown in FIG. 1, the side illustrated is a mirror image of the side elevational view shown in FIG. 2 and the broken line showings form no part of the claimed design.

**1 Claim, 3 Drawing Sheets**

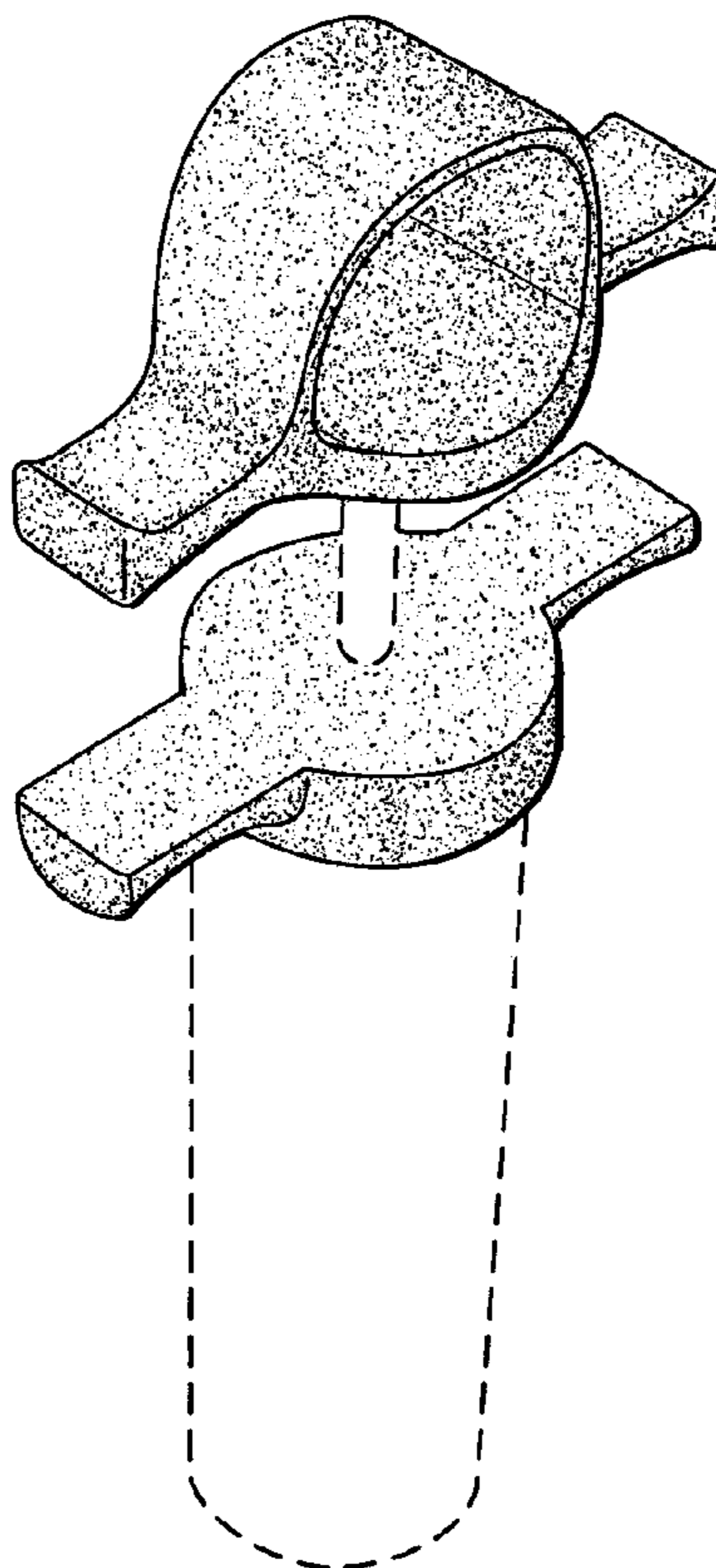


Fig. 1

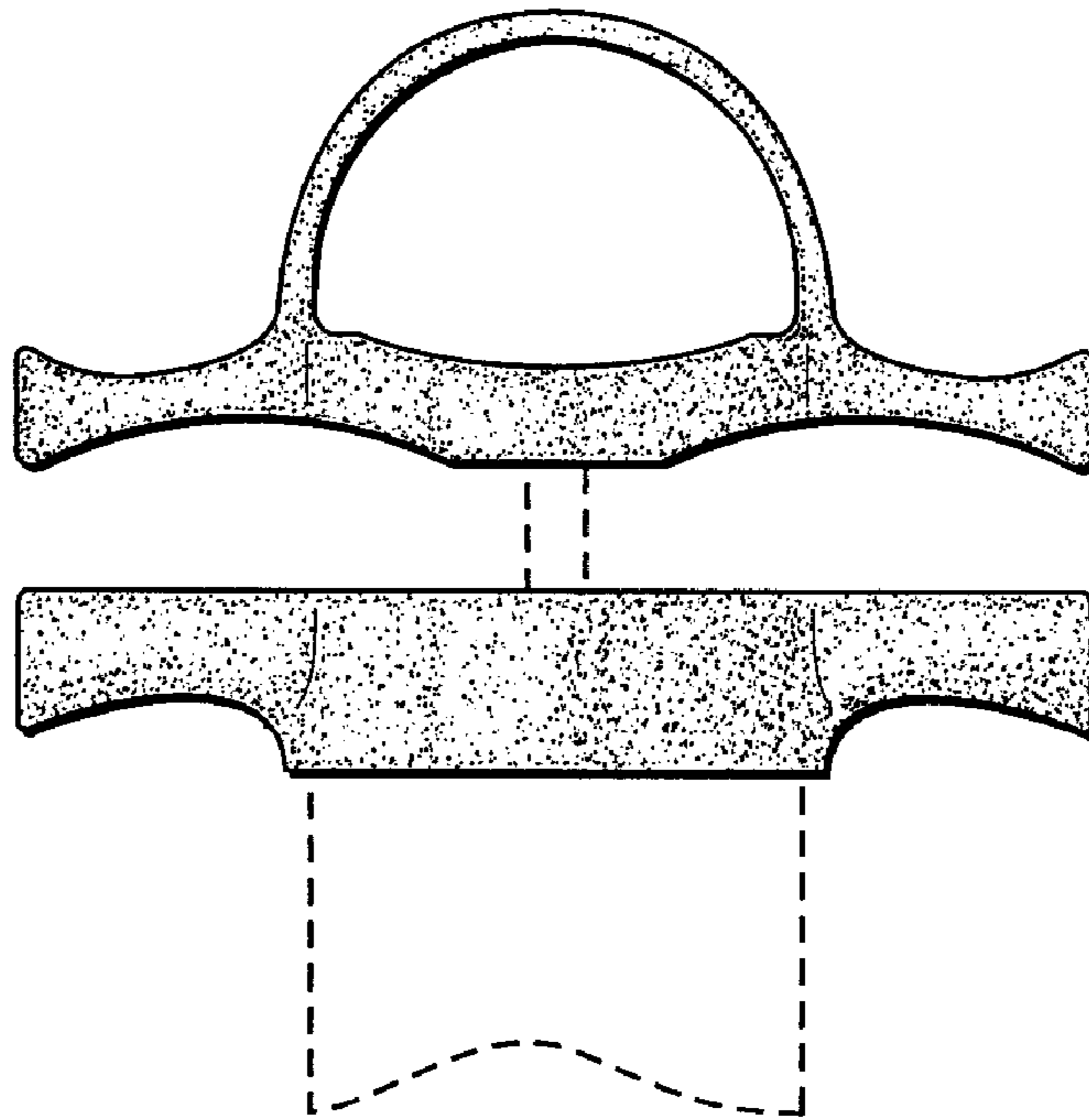


Fig. 2

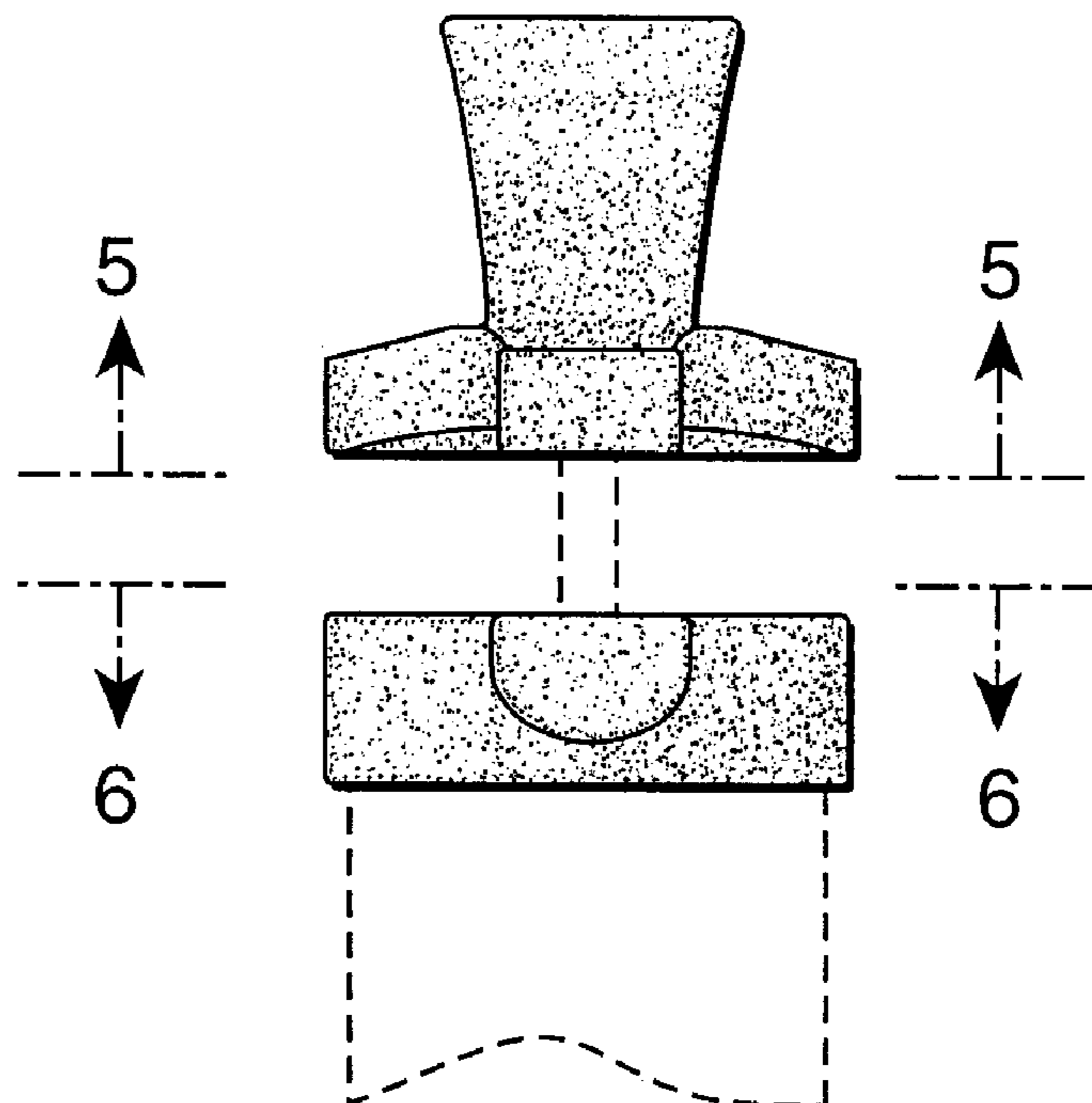


Fig. 3

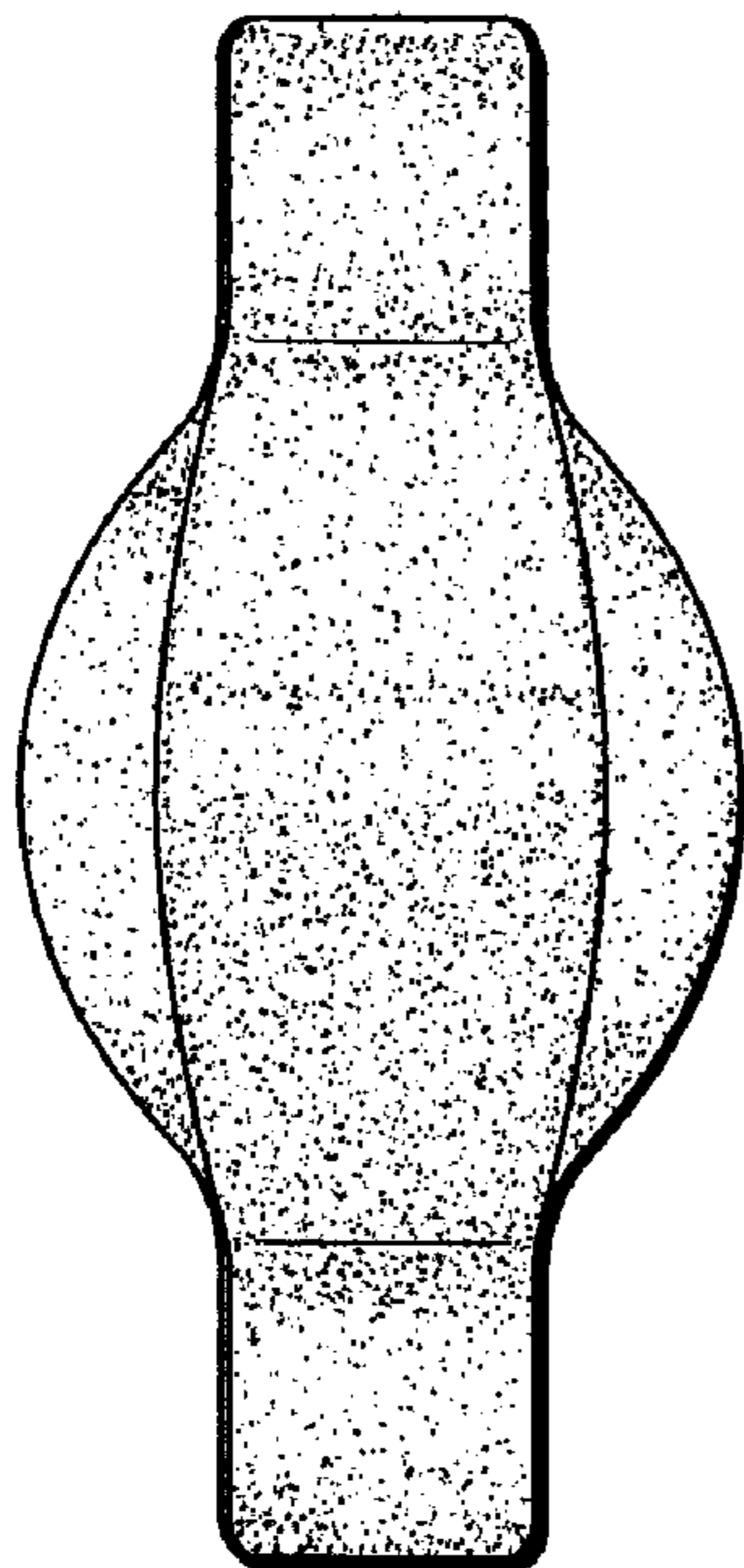


Fig. 4

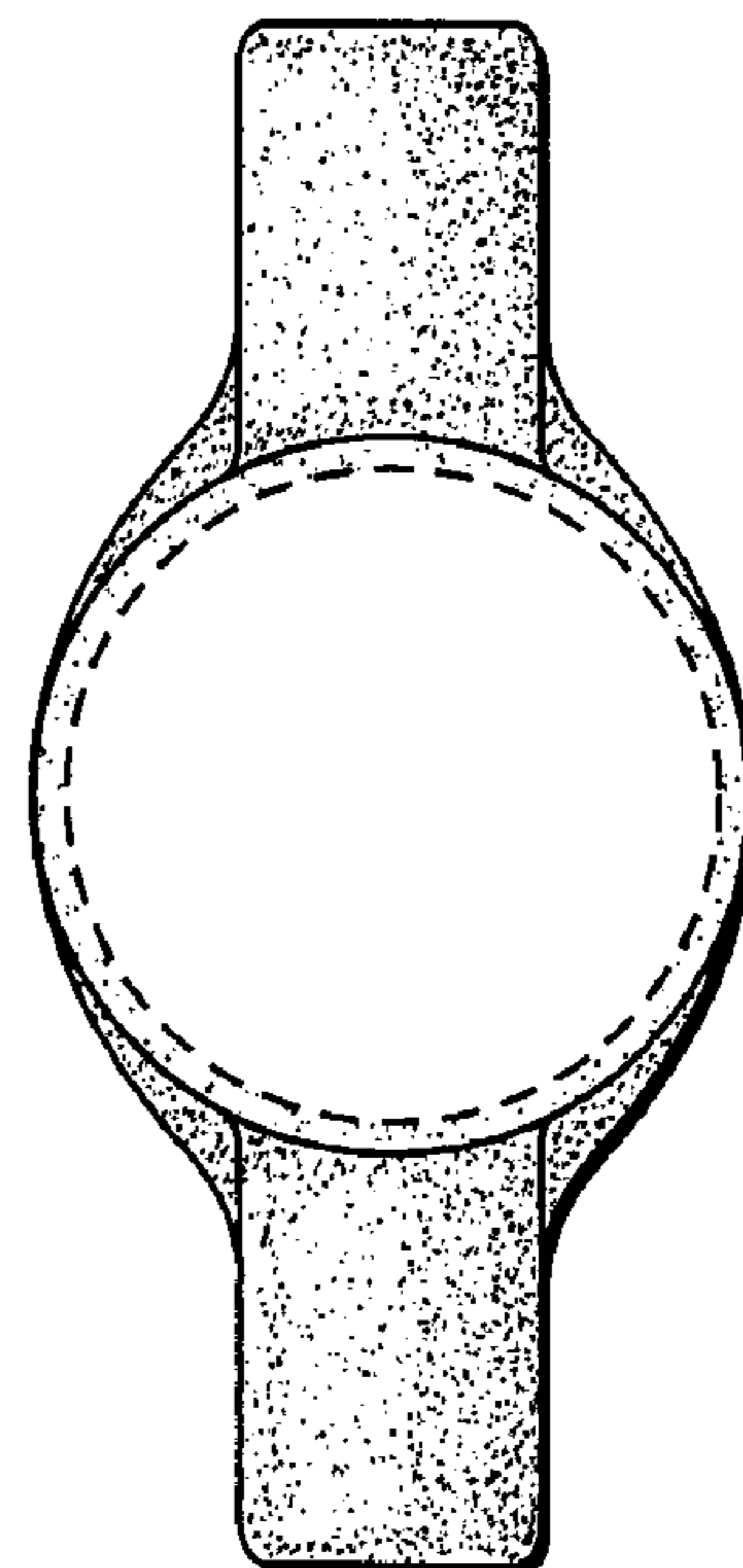


Fig. 5

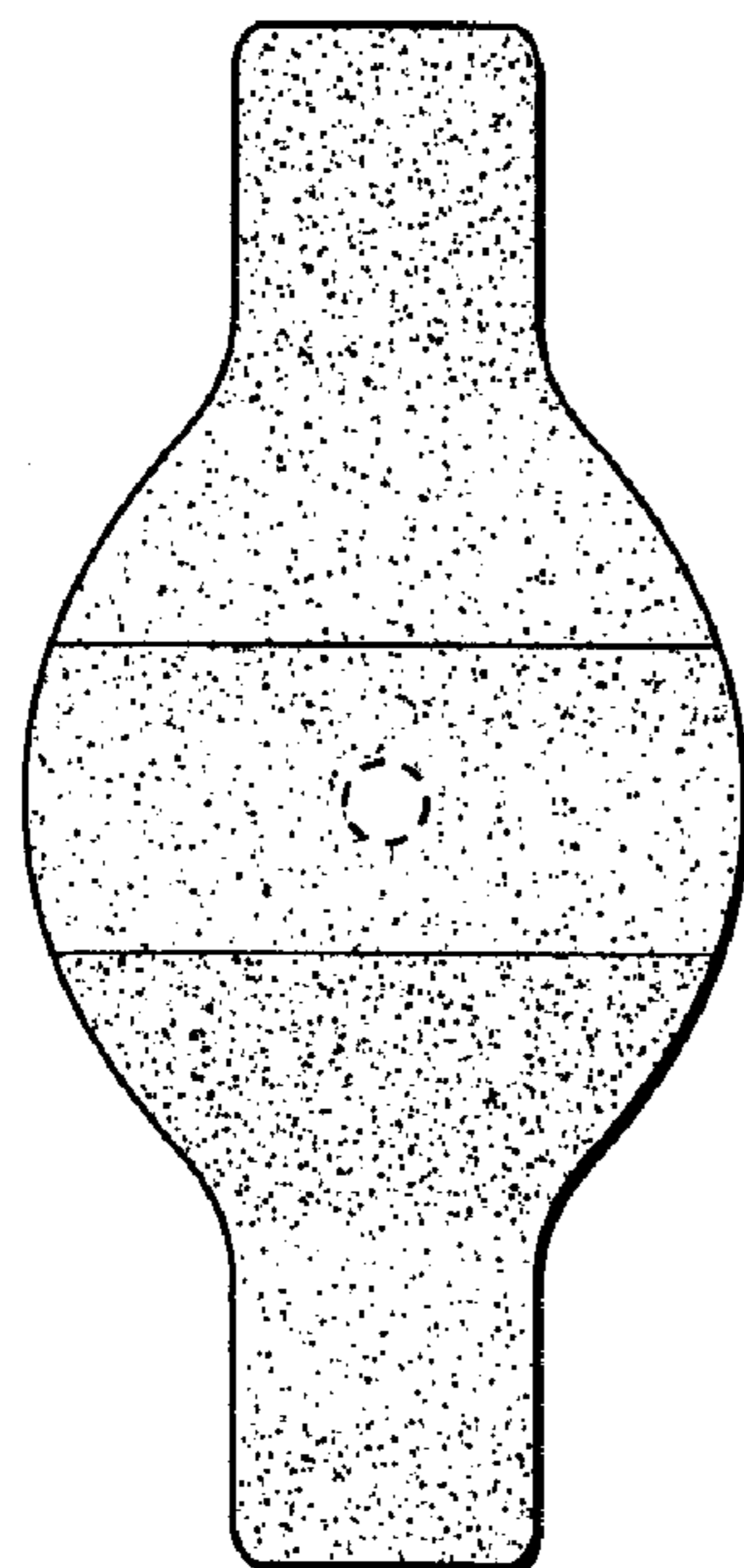


Fig. 6

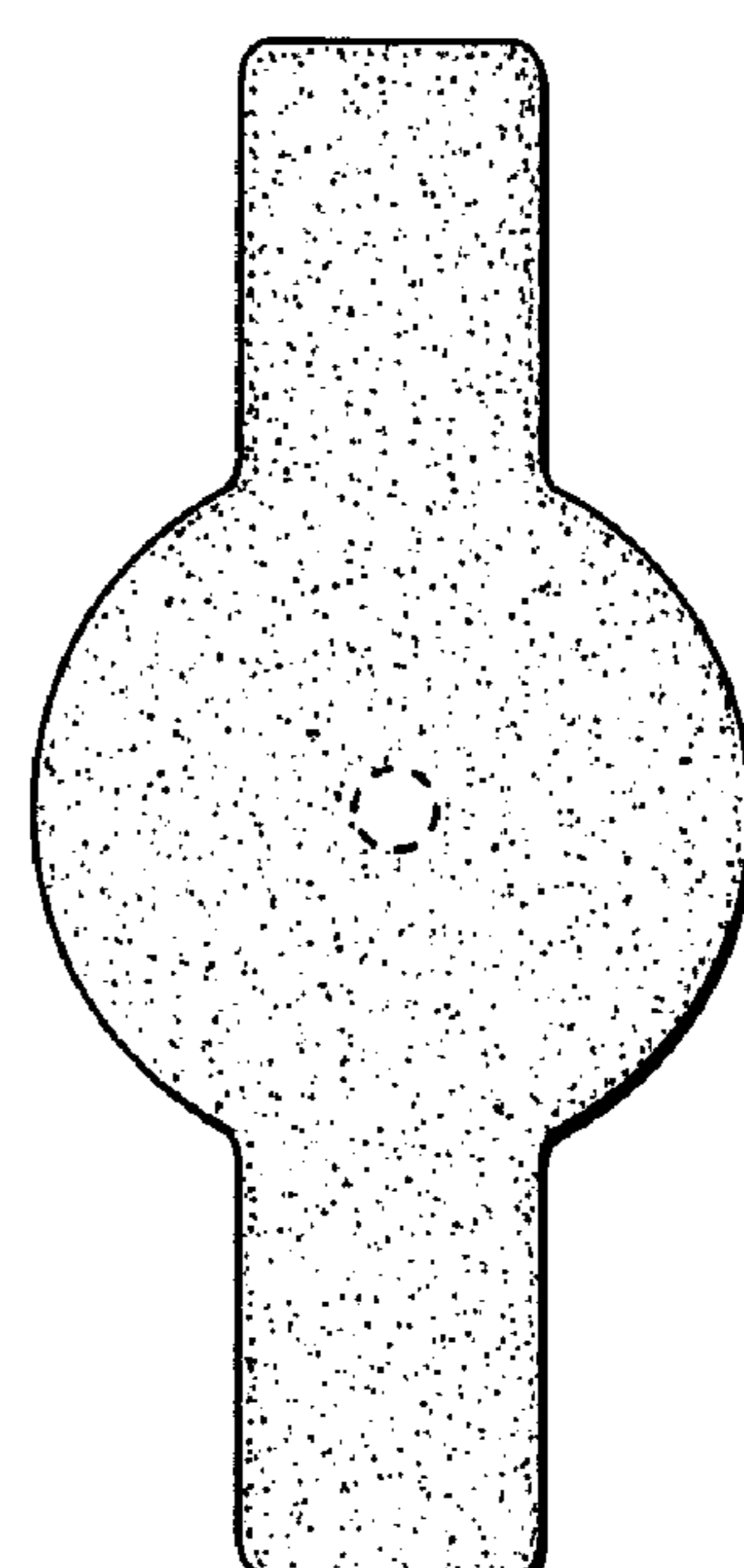


Fig. 7

