

US00D543415S

(12) **United States Design Patent**
Duranti

(10) **Patent No.:** **US D543,415 S**

(45) **Date of Patent:** **** May 29, 2007**

(54) **TAP**

(75) Inventor: **Maurizio Duranti**, Milan (IT)

(73) Assignee: **IB Rubinetterie S.p.A.**, Sarezzo (Brescia) (IT)

(**) Term: **14 Years**

(21) Appl. No.: **29/233,908**

(22) Filed: **Jul. 12, 2005**

(30) **Foreign Application Priority Data**

Mar. 24, 2005 (IT) BS200500020

(51) **LOC (8) Cl.** **07-01**

(52) **U.S. Cl.** **D7/398; 23/238; 23/255**

(58) **Field of Classification Search** D7/222,
D7/301-303, 311-314, 318, 320, 322, 387,
D7/392, 393, 397, 398, 566; D23/238, 243,
D23/255

See application file for complete search history.

(56) **References Cited**

U.S. PATENT DOCUMENTS

3,048,983	A	8/1962	Crummel	
3,375,851	A	4/1968	Henry et al.	
4,345,853	A	8/1982	Fisher	
D301,517	S	* 6/1989	Anawalt	D23/255
D312,681	S	12/1990	Kohler, Jr. et al.	
D319,685	S	* 9/1991	Kohler et al.	D23/255
D322,472	S	12/1991	Kohler, Jr. et al.	
D330,935	S	* 11/1992	Delepine	D23/238
D343,444	S	* 1/1994	Paulin et al.	D23/238

5,358,006	A	10/1994	Sweers	
D410,997	S	6/1999	Christianson	
D414,847	S	* 10/1999	Snyder	D23/255
D444,860	S	* 7/2001	Slothower	D23/255
D503,217	S	* 3/2005	Aubry et al.	D23/255
D510,411	S	* 10/2005	Lord	D23/238
D511,811	S	* 11/2005	Lord	D23/238
D514,198	S	* 1/2006	Starck	D23/238
D524,422	S	* 7/2006	Schaffeld et al.	D23/252
D529,581	S	* 10/2006	Starck	D23/238

OTHER PUBLICATIONS

Company: Kohler, Alterna widespread lavatory faucet, K-7980-4, Website: www.kohler.com.*

* cited by examiner

Primary Examiner—Philip S. Hyder

Assistant Examiner—Cynthia Underwood

(74) *Attorney, Agent, or Firm*—Shoemaker and Mattare

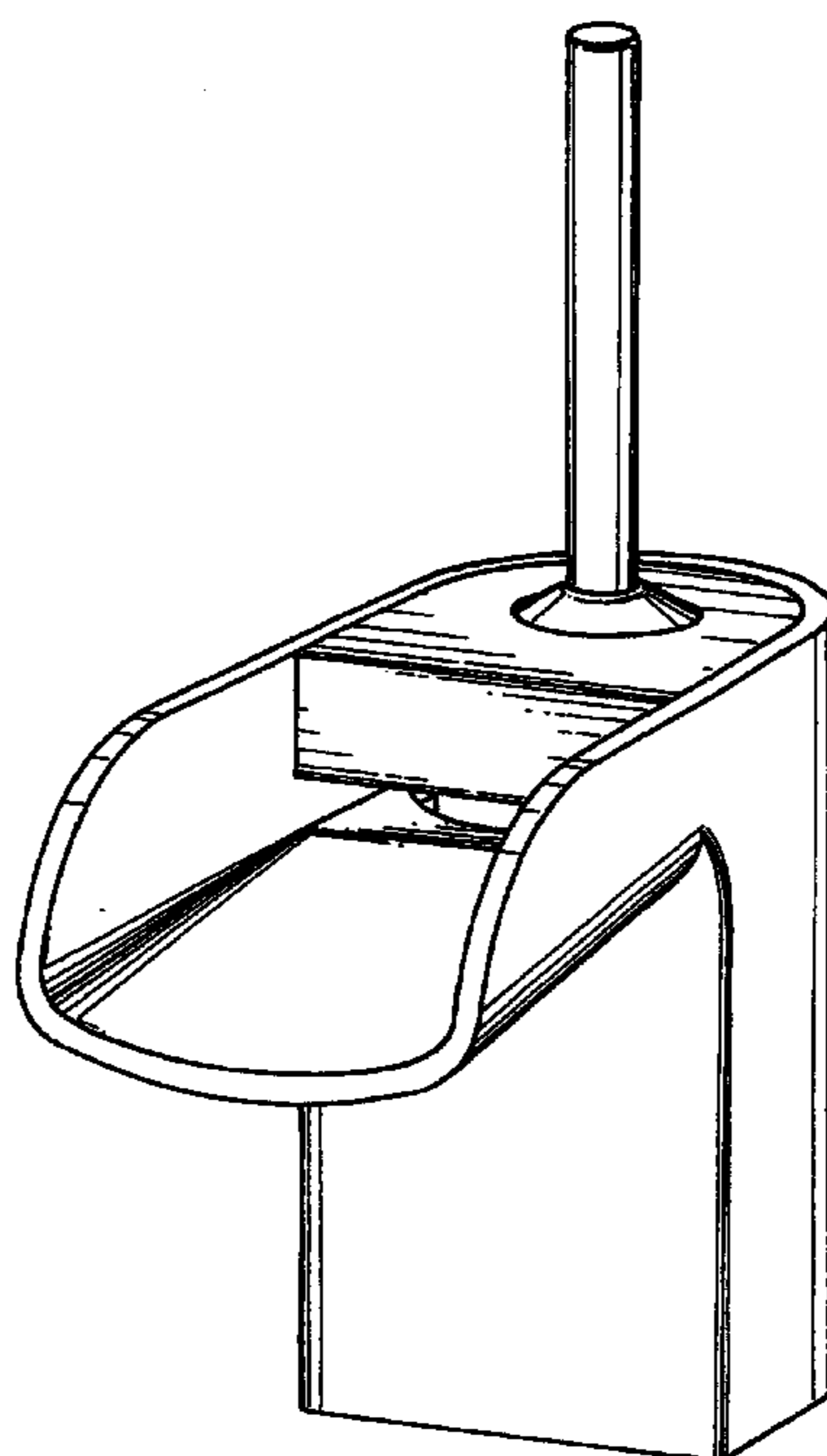
(57) **CLAIM**

The ornamental design for a tap, as shown and described.

DESCRIPTION

FIG. 1 is a perspective view of a tap, showing my new design from the top and left side;
FIG. 2 is a front elevational view thereof;
FIG. 3 is a rear elevational view thereof;
FIG. 4 is a right side view thereof;
FIG. 5 is a bottom plan view thereof;
FIG. 6 is a left side view thereof; and,
FIG. 7 is a top plan view thereof.

1 Claim, 3 Drawing Sheets



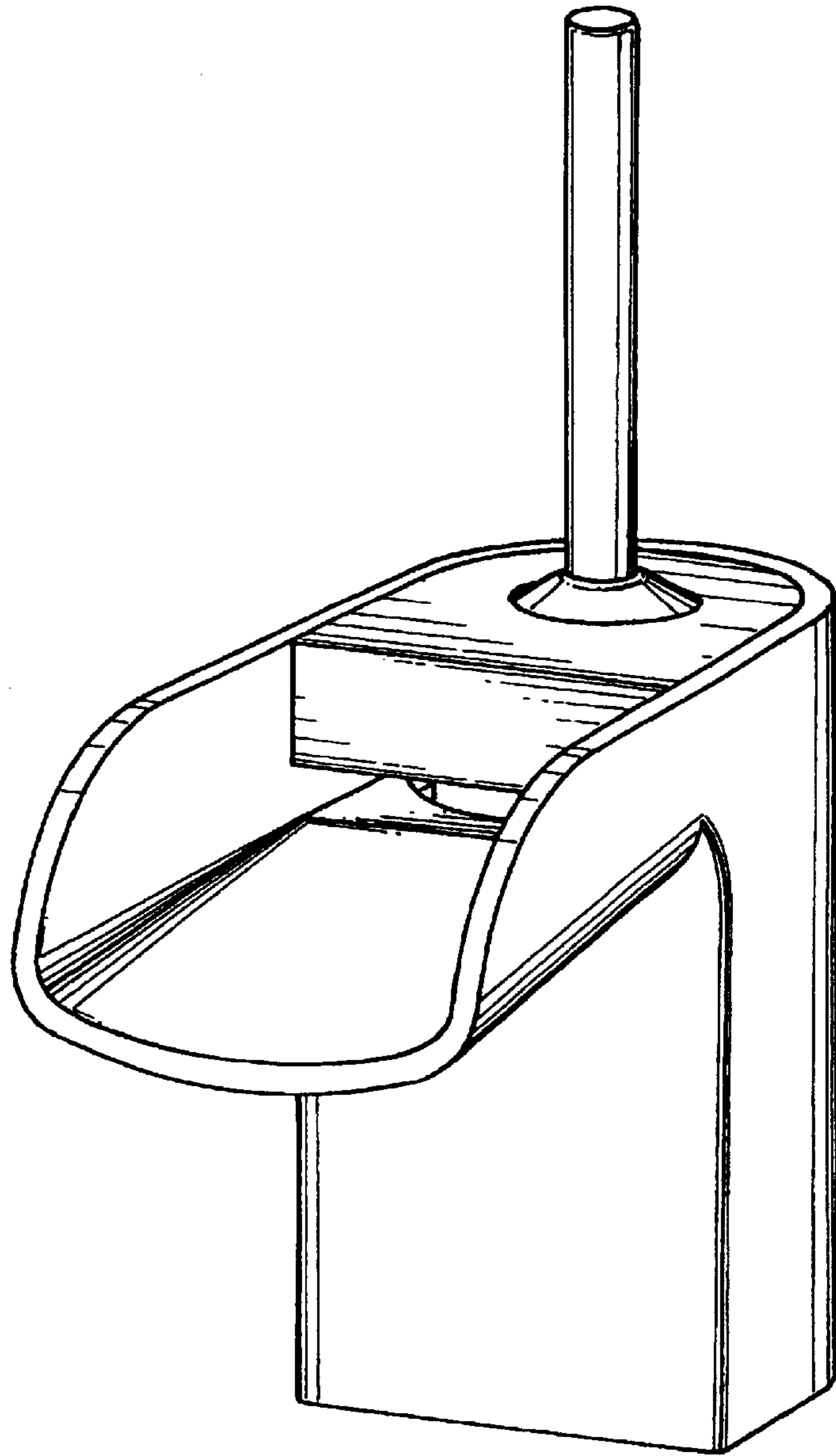


Fig. 1

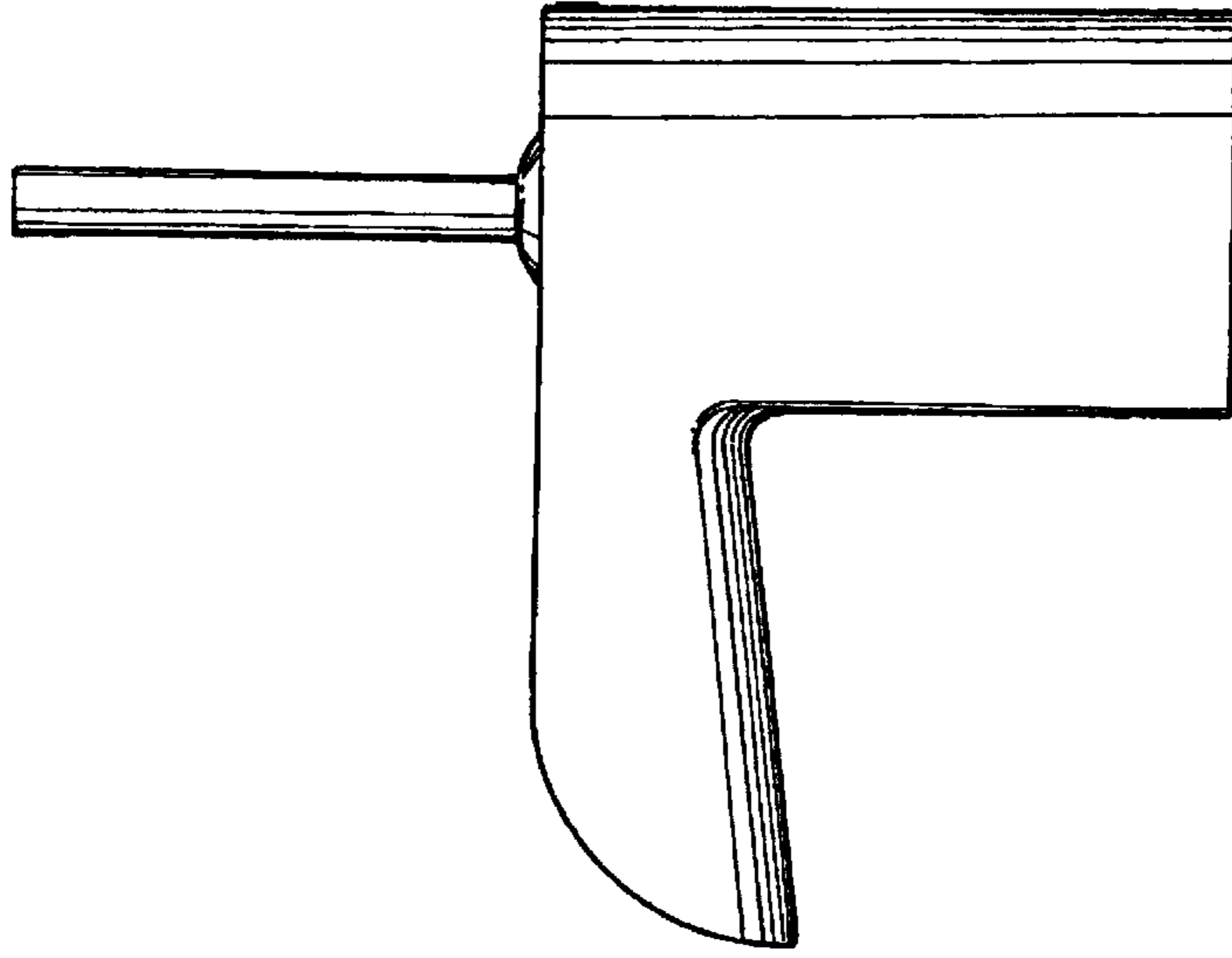


Fig. 4

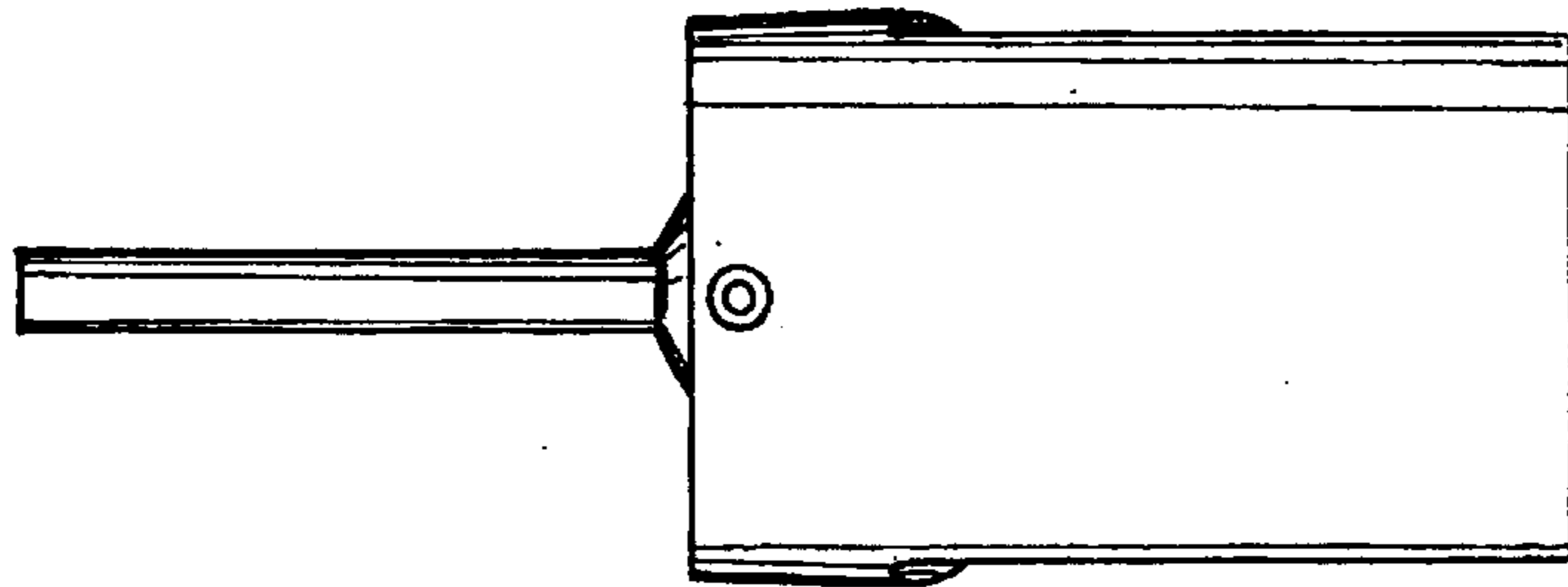


Fig. 3

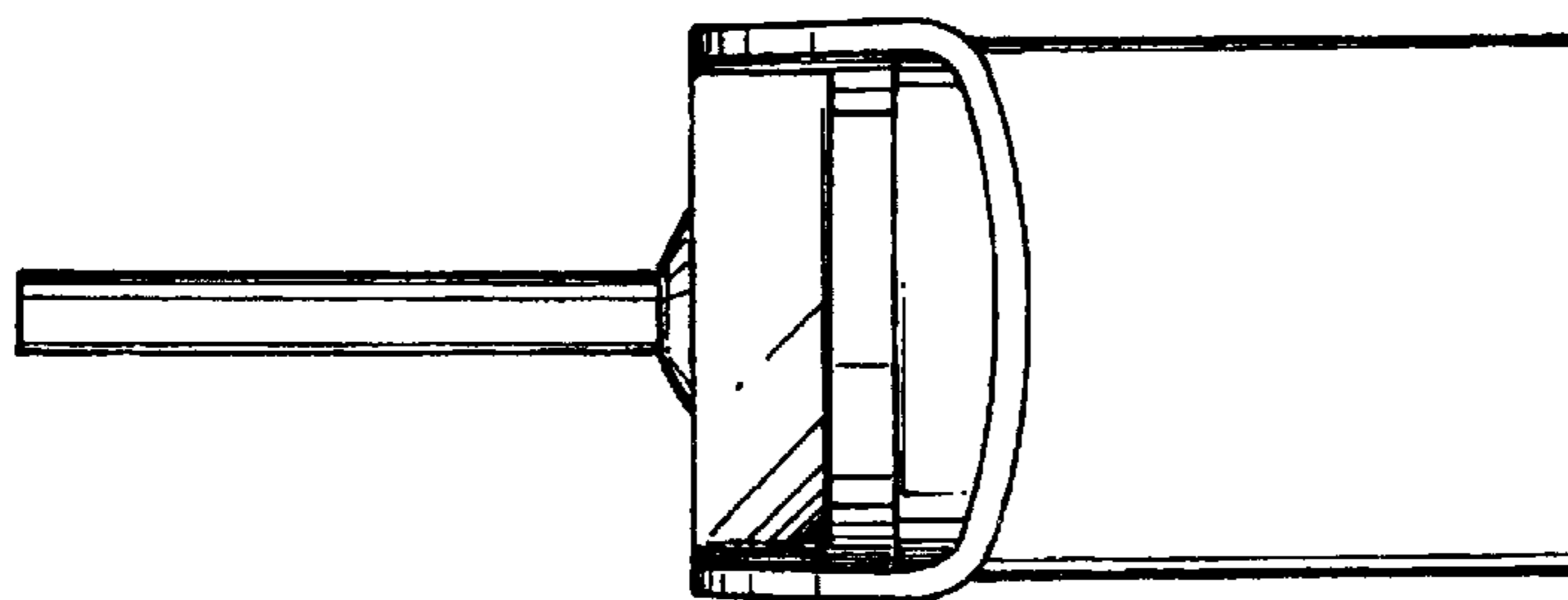


Fig. 2

Fig. 5

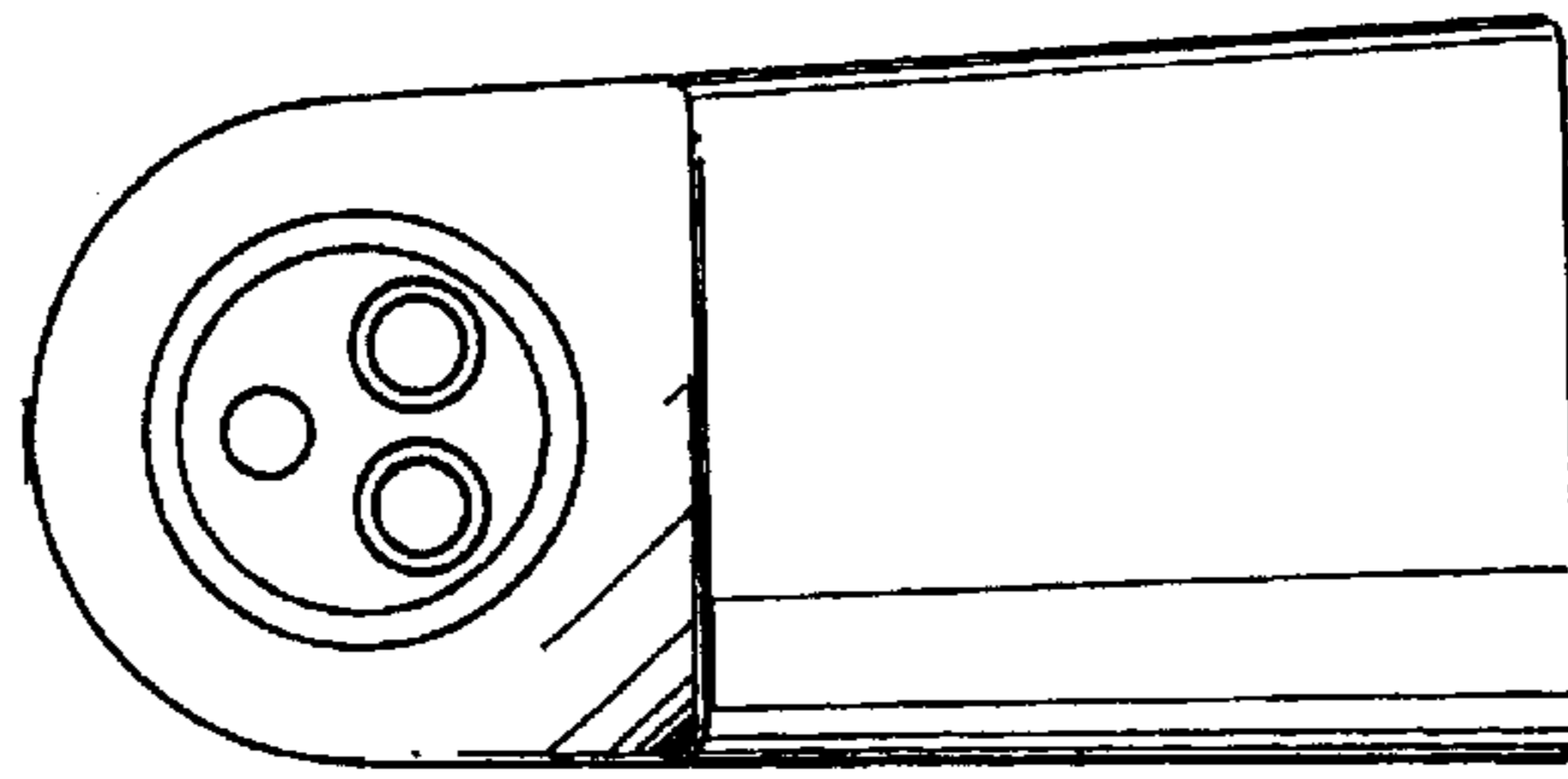


Fig. 6

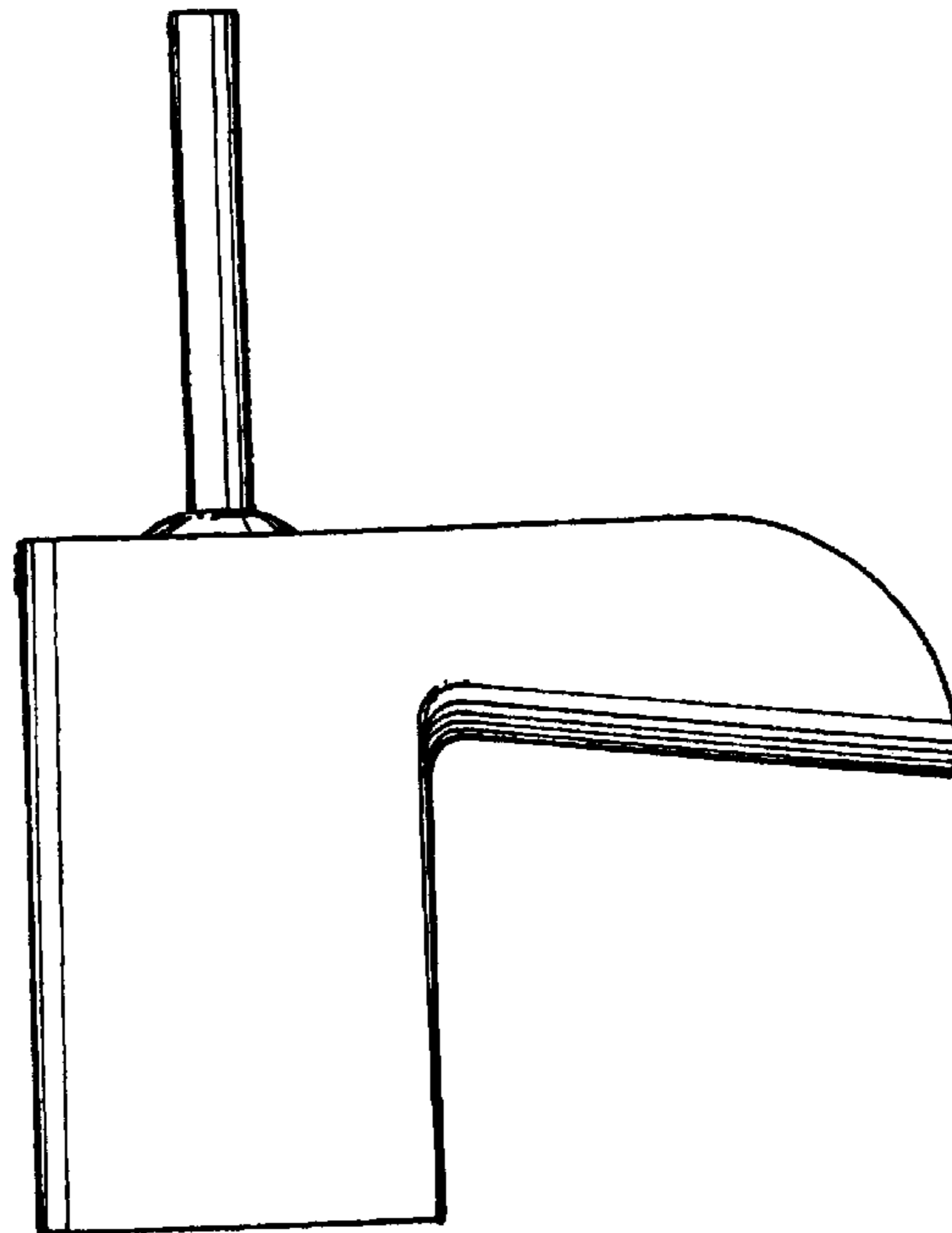


Fig. 7

