

US00D543412S

(12) **United States Design Patent**  
**Munson**

(10) **Patent No.:** **US D543,412 S**

(45) **Date of Patent:** **\*\* May 29, 2007**

(54) **FOOD PAN**

(75) Inventor: **Jeff D. Munson**, Henderson, NV (US)

(73) Assignee: **Cambro Manufacturing Company**,  
Huntington Beach, CA (US)

(\*\*) Term: **14 Years**

(21) Appl. No.: **29/255,465**

(22) Filed: **Mar. 8, 2006**

(51) **LOC (8) Cl.** ..... **07-02**

(52) **U.S. Cl.** ..... **D7/354**

(58) **Field of Classification Search** ..... D7/323,  
D7/393, 354-360, 409, 543-545, 550.1, 551.1,  
D7/552.1, 553.1, 554.1, 554.2, 554.3, 554.4,  
D7/602, 667, 668; 99/324, 339, 400, 410-413,  
99/422, 446, 448; 210/469, 470, 475; 220/212.5,  
220/215, 346, 351, 573.1-573.4, 574, 912;  
294/172

See application file for complete search history.

(56) **References Cited**

**U.S. PATENT DOCUMENTS**

D305,393 S	*	1/1990	Stewart	.....	D7/360
D365,501 S	*	12/1995	Daugherty et al.	.....	D7/602
5,988,050 A	*	11/1999	Foster, Jr.	.....	99/467
D454,751 S	*	3/2002	Zank	.....	D7/354
6,371,364 B1	*	4/2002	Maillot et al.	.....	229/114

6,415,945 B1	*	7/2002	Zank et al.	.....	220/657
D468,168 S	*	1/2003	Gruenberg, Sr.	.....	D7/667
D469,313 S	*	1/2003	Thonis et al.	.....	D7/602
D479,438 S	*	9/2003	De Neubourg	.....	D7/545
6,705,210 B2	*	3/2004	Leonard	.....	99/413
D525,820 S	*	8/2006	Oztiryaki	.....	D7/354
D528,376 S	*	9/2006	Munson et al.	.....	D7/667
D529,755 S	*	10/2006	Lobman et al.	.....	D7/356

\* cited by examiner

*Primary Examiner*—Cathron C. Brooks

*Assistant Examiner*—Ricky Pham

(74) *Attorney, Agent, or Firm*—George F. Bethel

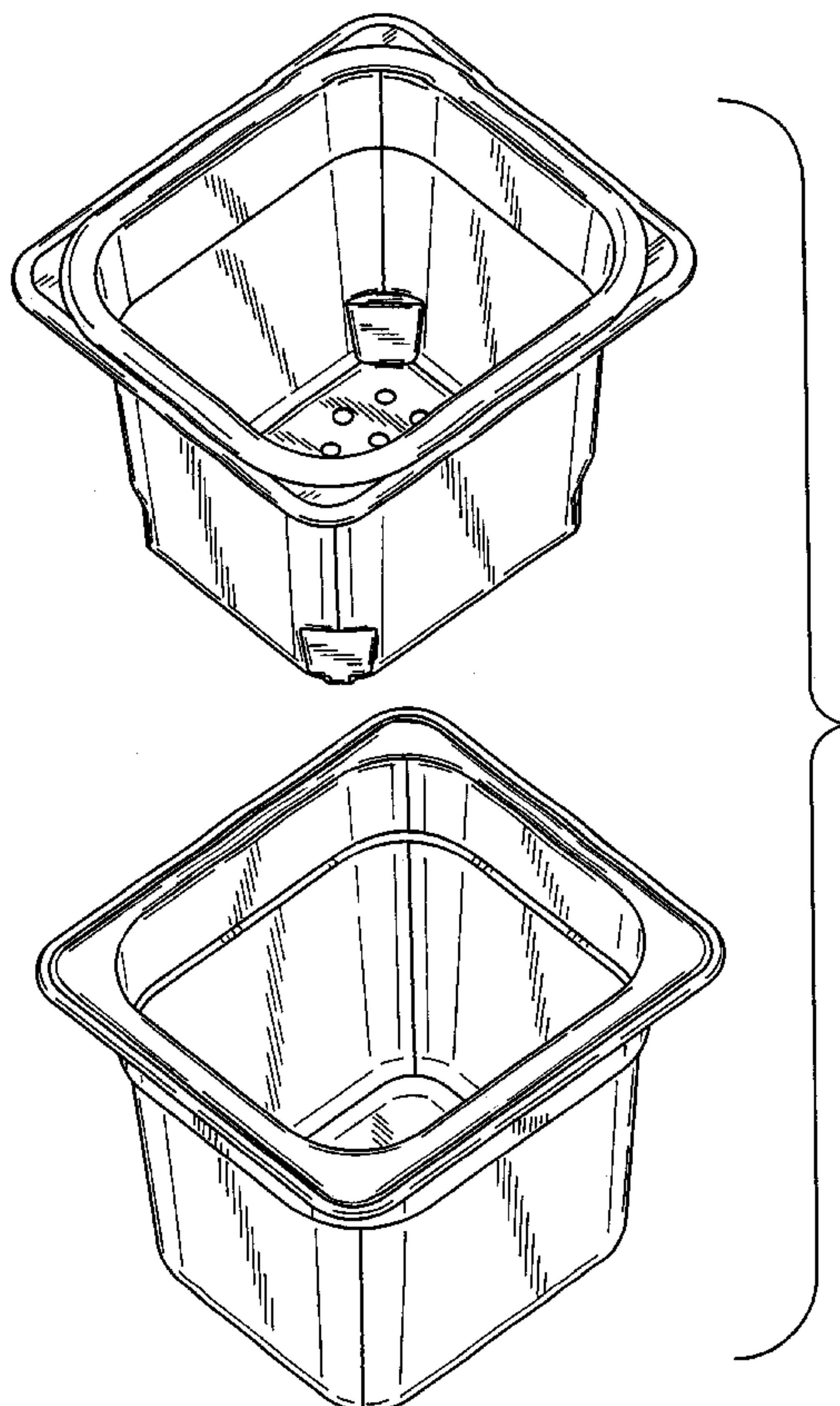
(57) **CLAIM**

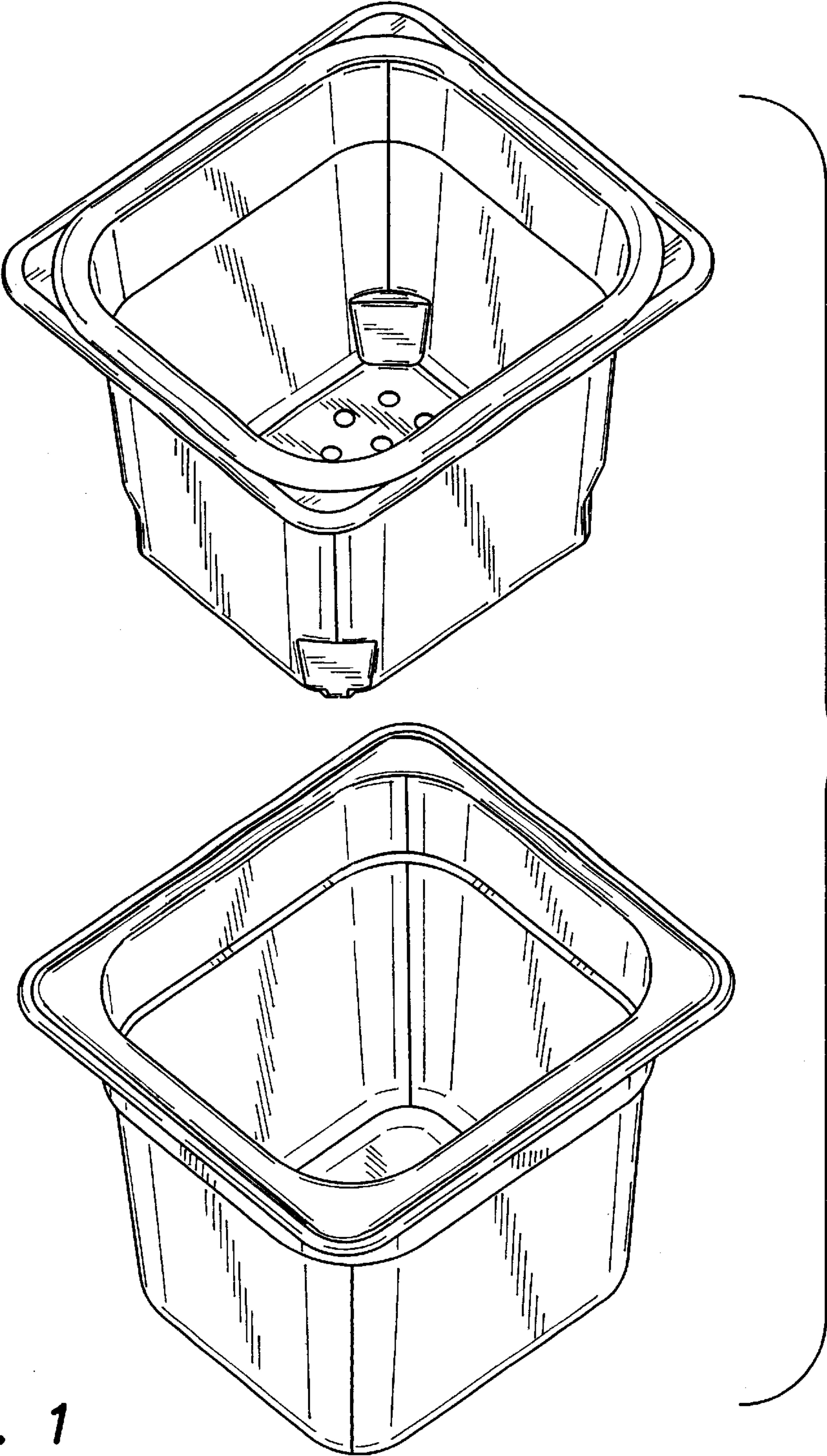
The ornamental design for a food pan, as shown.

**DESCRIPTION**

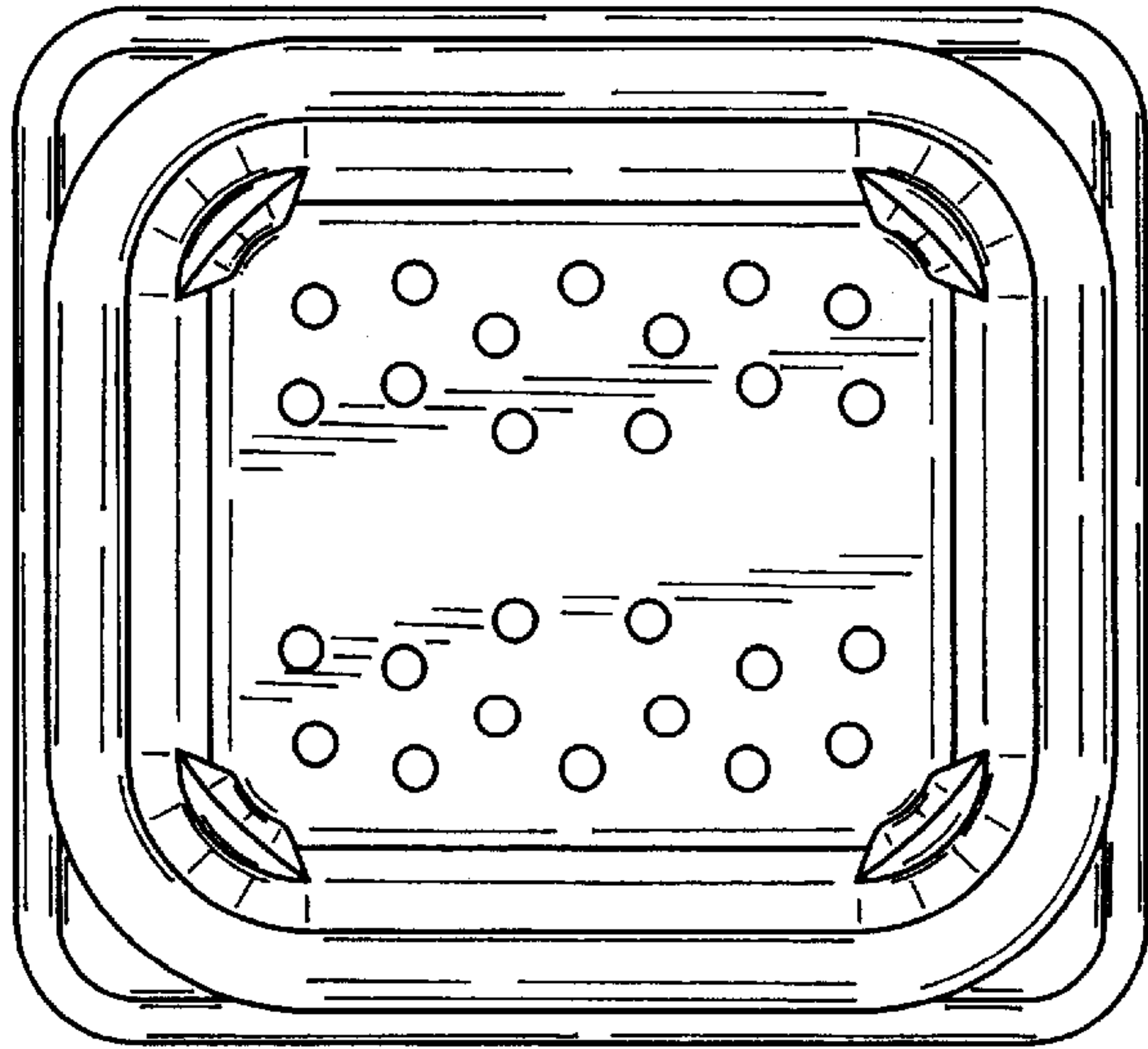
FIG. 1 shows an exploded perspective view of the food pan, shown exploded for completeness of illustration; FIG. 2 shows a top plan view of the upper portion of the food pan, shown separately for ease of illustration; FIG. 3 shows a front elevation view of the food pan of FIG. 1; FIG. 4 shows a side elevation view of the food pan of FIG. 1; and, FIG. 5 shows a bottom plan view of the lower portion of the food pan, shown separately for ease of illustration.

**1 Claim, 4 Drawing Sheets**

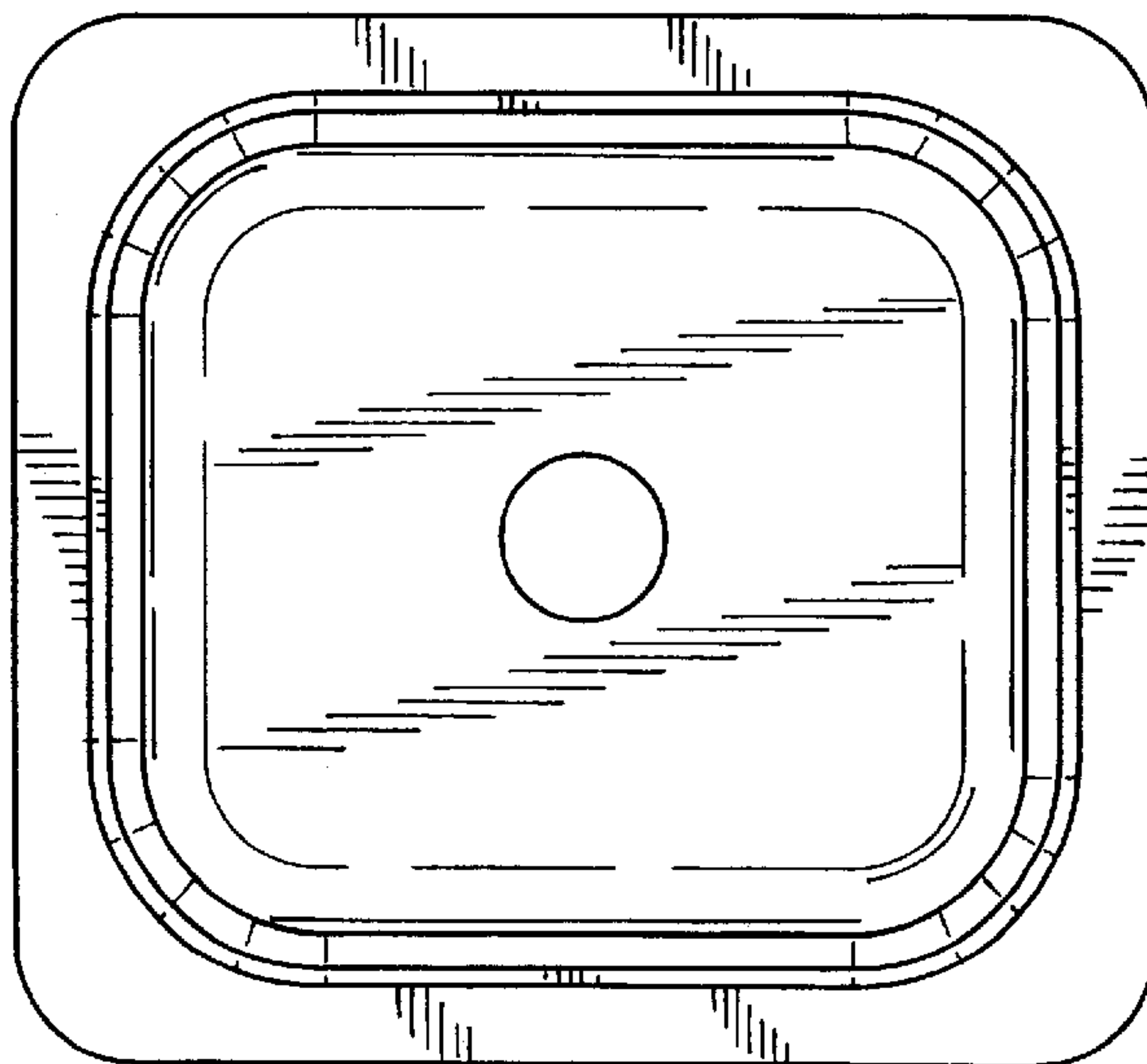




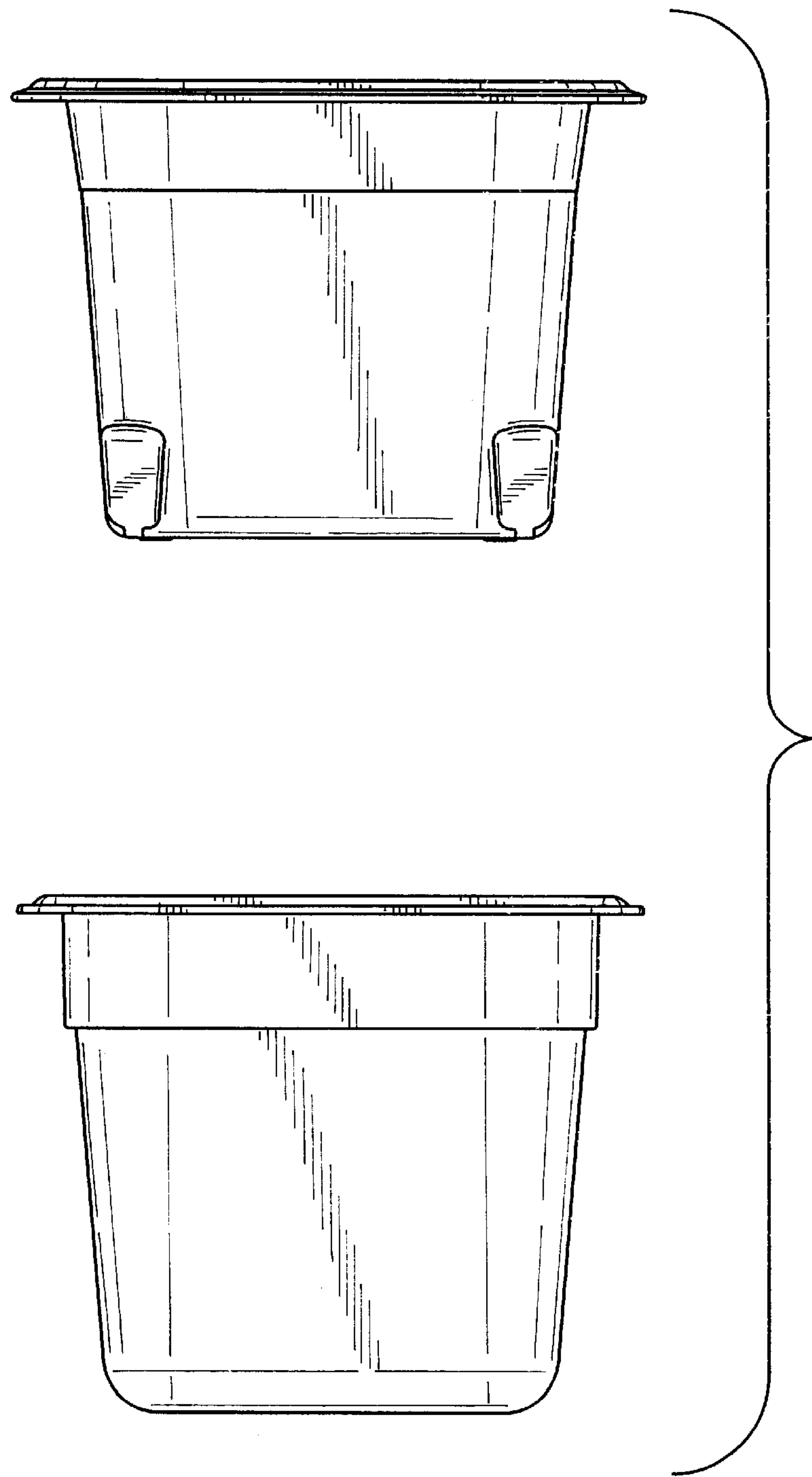
**FIG. 1**



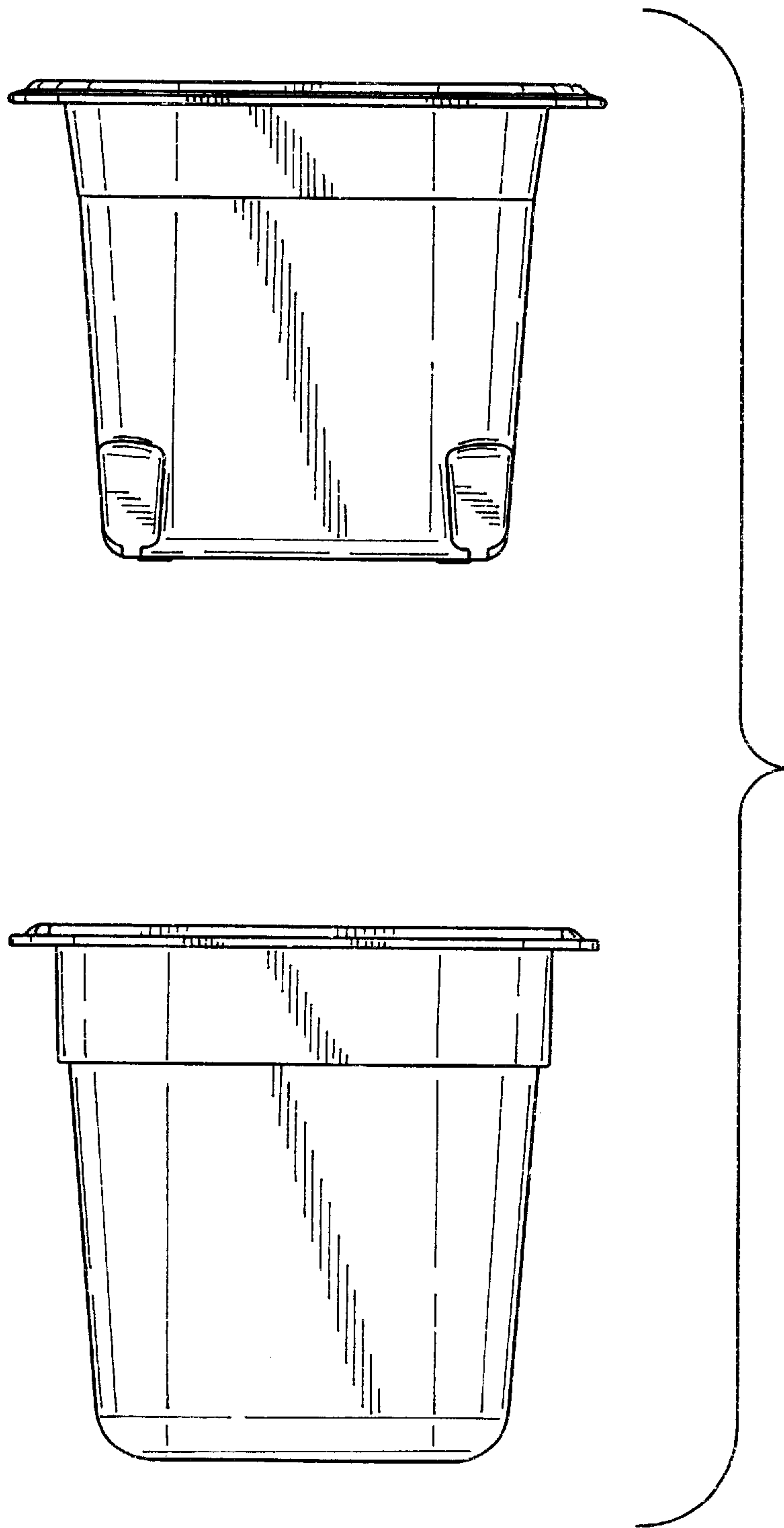
**FIG. 2**



**FIG. 5**



**FIG. 3**



**FIG. 4**