



US00D543410S

(12) **United States Design Patent**
Cohen et al.

(10) **Patent No.:** **US D543,410 S**

(45) **Date of Patent:** **** May 29, 2007**

(54) **ELECTRICAL GRILL**

(75) Inventors: **Eli Cohen**, Lev HaSharon (IL); **Ann Grant**, New York, NY (US)

(73) Assignee: **AAC Trade Ltd.**, New York, NY (US)

(**) Term: **14 Years**

(21) Appl. No.: **29/253,822**

(22) Filed: **Feb. 14, 2006**

(51) **LOC (8) Cl.** **07-02**

(52) **U.S. Cl.** **D7/352**

(58) **Field of Classification Search** D7/323,
D7/328-332, 334-339, 352-363; 99/219,
99/331, 339, 349, 369, 372-375, 385, 386,
99/389, 425, 444, 446, 466, 601, 618, 620;
219/524, 525, 620-622, 732-734; D21/525
See application file for complete search history.

(56) **References Cited**

U.S. PATENT DOCUMENTS

D155,422 S	*	10/1949	Henderson	D7/674
D253,218 S	*	10/1979	Johnson	D7/356
4,664,025 A	*	5/1987	Martinez	99/331
D299,609 S	*	1/1989	Madl	D7/352
D309,844 S	*	8/1990	Storsberg	D7/352
D334,108 S	*	3/1993	Fisher	D7/323
D347,548 S	*	6/1994	Boehm et al.	D7/352
D364,992 S	*	12/1995	Wooderson et al.	D7/352
D411,937 S	*	7/1999	Siegler et al.	D7/352
D419,823 S	*	2/2000	Choi	D7/352
D456,666 S	*	5/2002	Monguilod	D7/351
D467,766 S	*	12/2002	Wanat et al.	D7/352
D519,776 S	*	5/2006	Chen	D7/352

FOREIGN PATENT DOCUMENTS

GB 2024495 * 7/1992

* cited by examiner

Primary Examiner—Cathron C. Brooks
Assistant Examiner—Ricky Pham

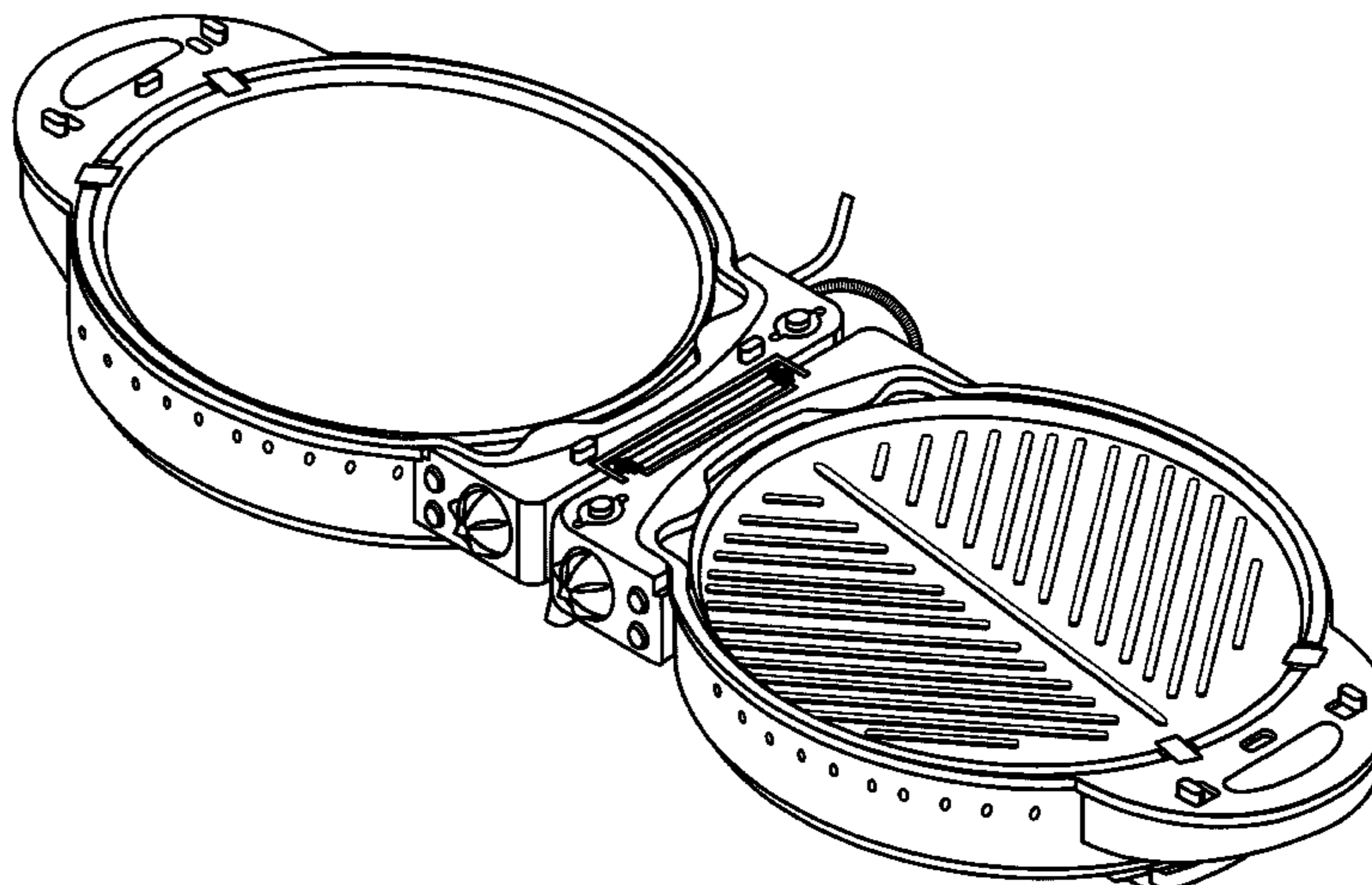
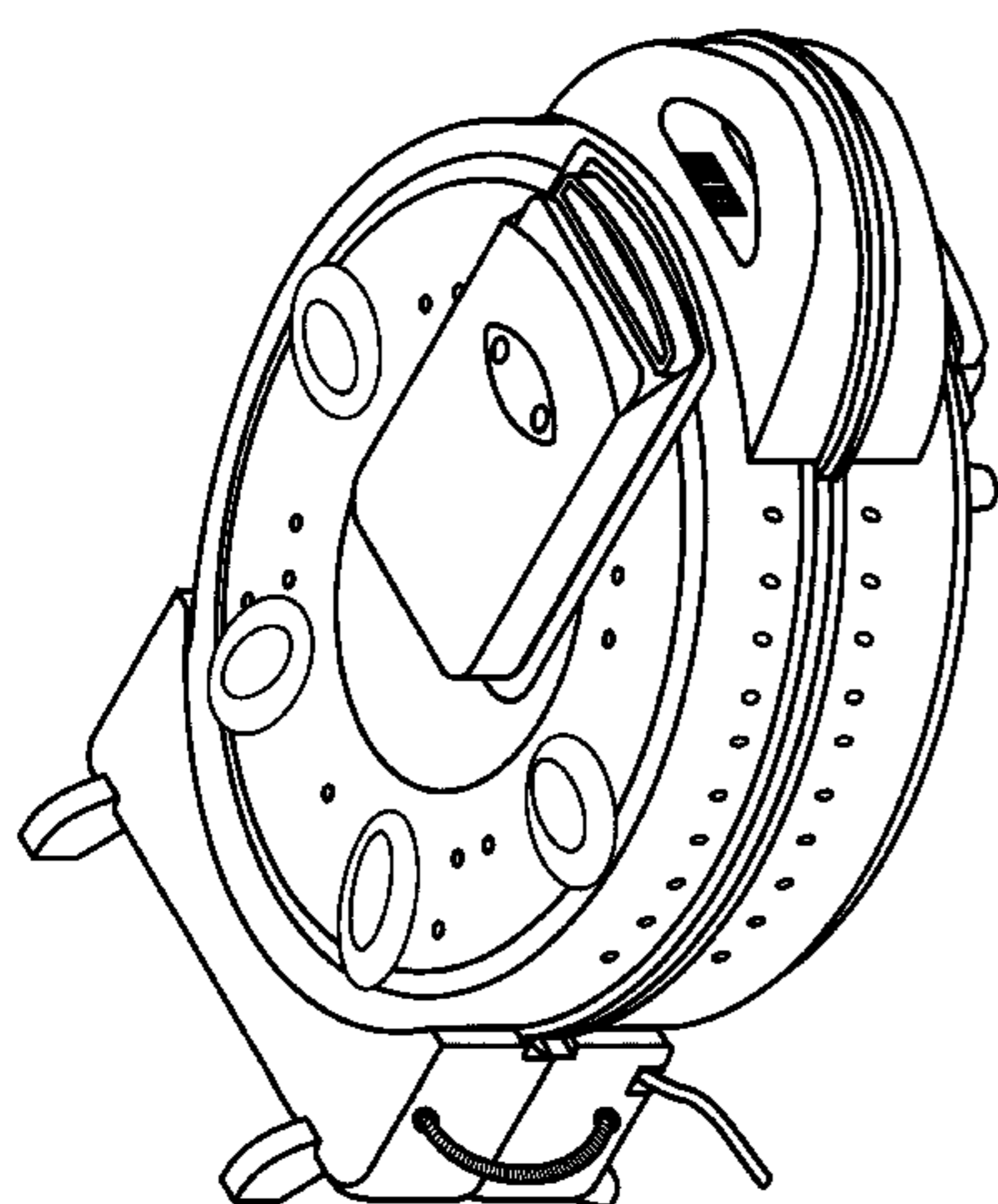
(57) **CLAIM**

The ornamental design for an electrical grill, as shown and described.

DESCRIPTION

FIG. 1 is a right side perspective view of the electric grill in a closed configuration showing our new design;
 FIG. 2 is a left side perspective view thereof in a closed configuration;
 FIG. 3 is a front elevational view thereof in a closed configuration;
 FIG. 4 is a rear elevational view thereof in a closed configuration;
 FIG. 5 is a top plan view thereof in a closed configuration;
 FIG. 6 is a bottom plan view thereof in a closed configuration;
 FIG. 7 is a left side elevational view thereof in a closed configuration;
 FIG. 8 is a right side elevational view thereof in a closed configuration;
 FIG. 9 is a right front perspective view of the electric grill in a partially open configuration;
 FIG. 10 is a top plan view thereof in a partially open configuration;
 FIG. 11 is a bottom plan view thereof in a partially open configuration;
 FIG. 12 is a left side elevational view thereof in a partially open configuration;
 FIG. 13 is a right side elevational view thereof in a partially open configuration;
 FIG. 14 is a left side perspective view thereof in a fully open configuration;
 FIG. 15 is a top plan view thereof in a fully open configuration;
 FIG. 16 is a bottom plan view thereof in a fully open configuration;
 FIG. 17 is a right side elevational view thereof in a fully open configuration; and,
 FIG. 18 is a left side elevational view thereof in a fully open configuration.

1 Claim, 13 Drawing Sheets



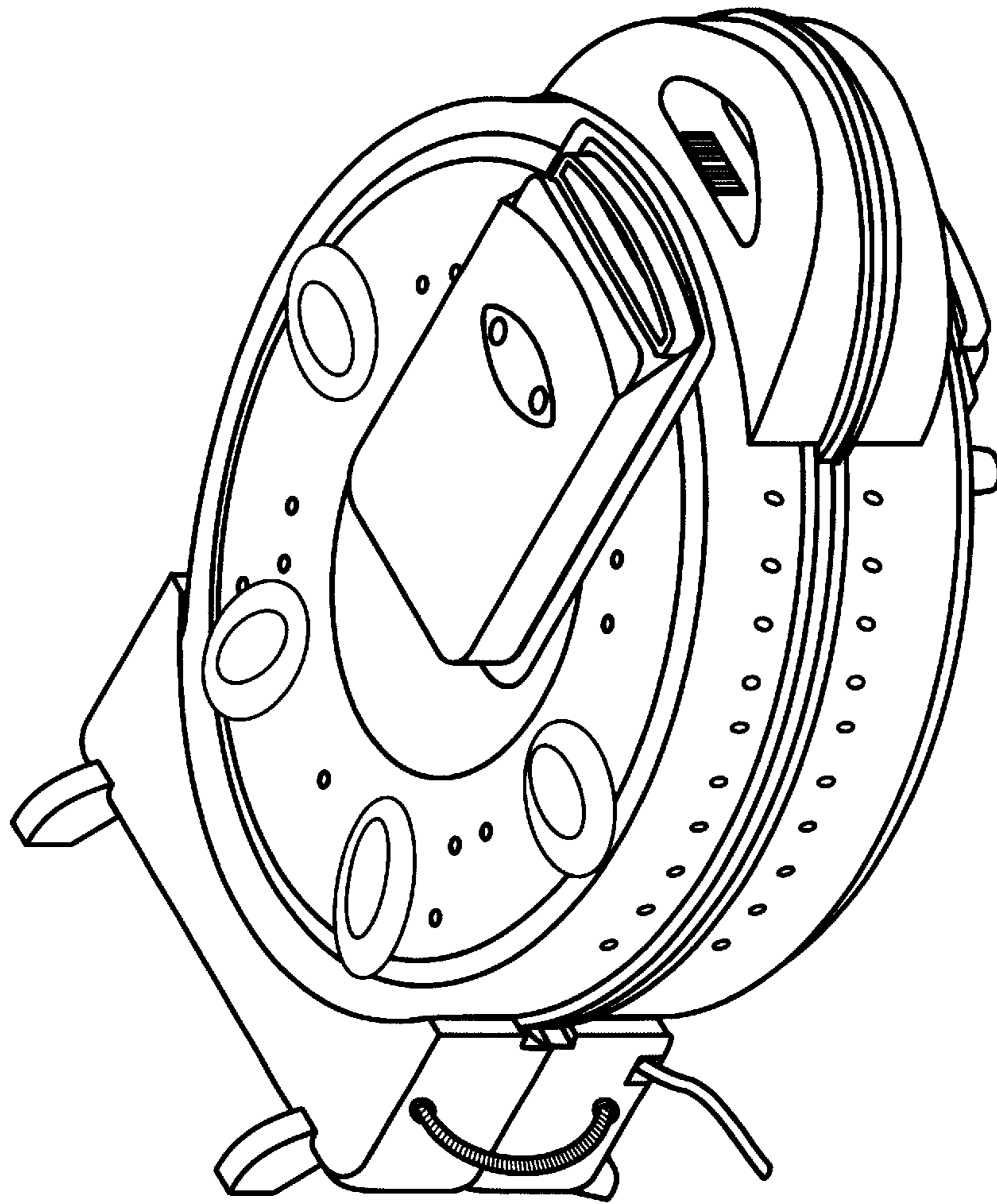


Fig. 1

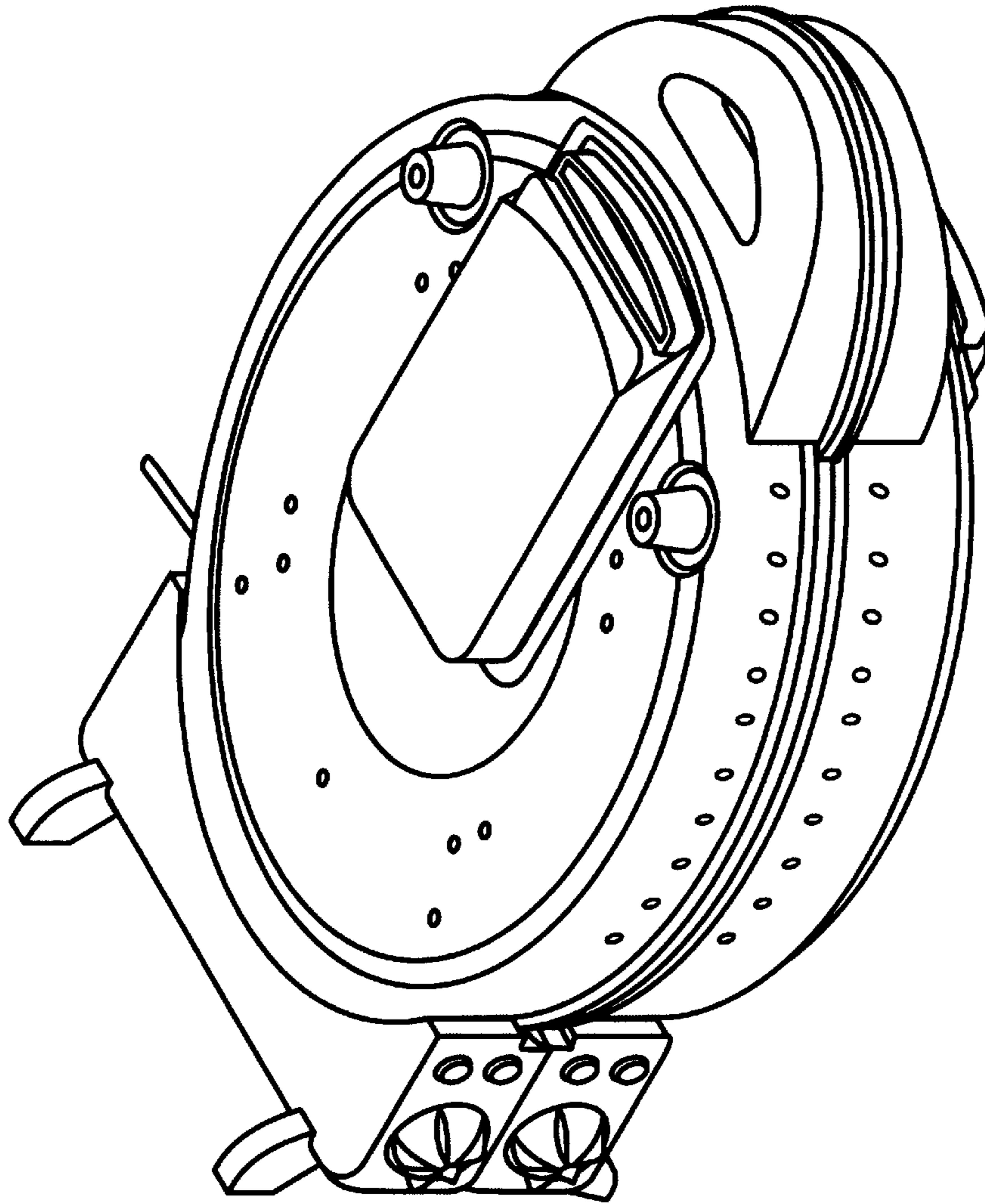


Fig. 2

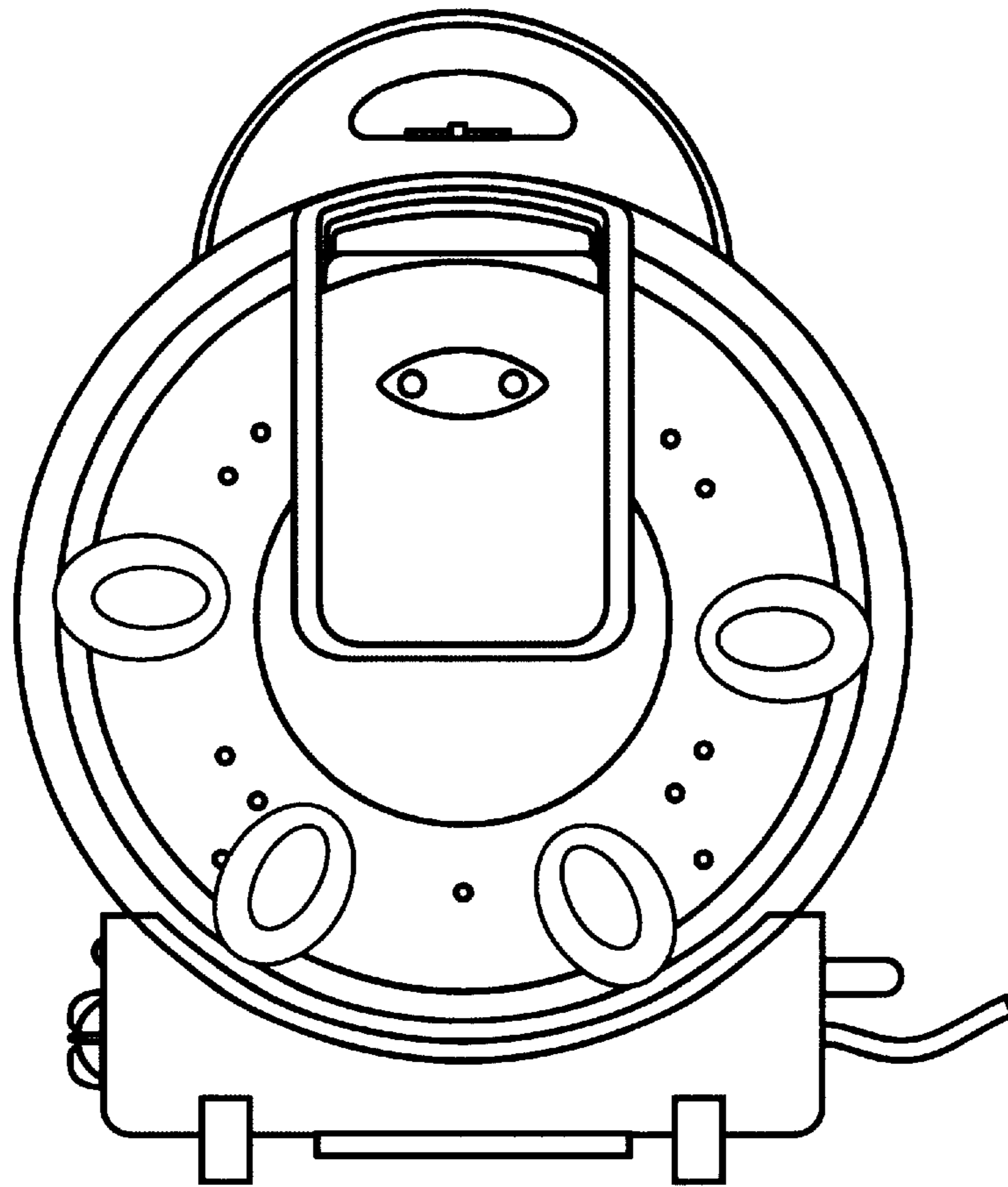


Fig. 3

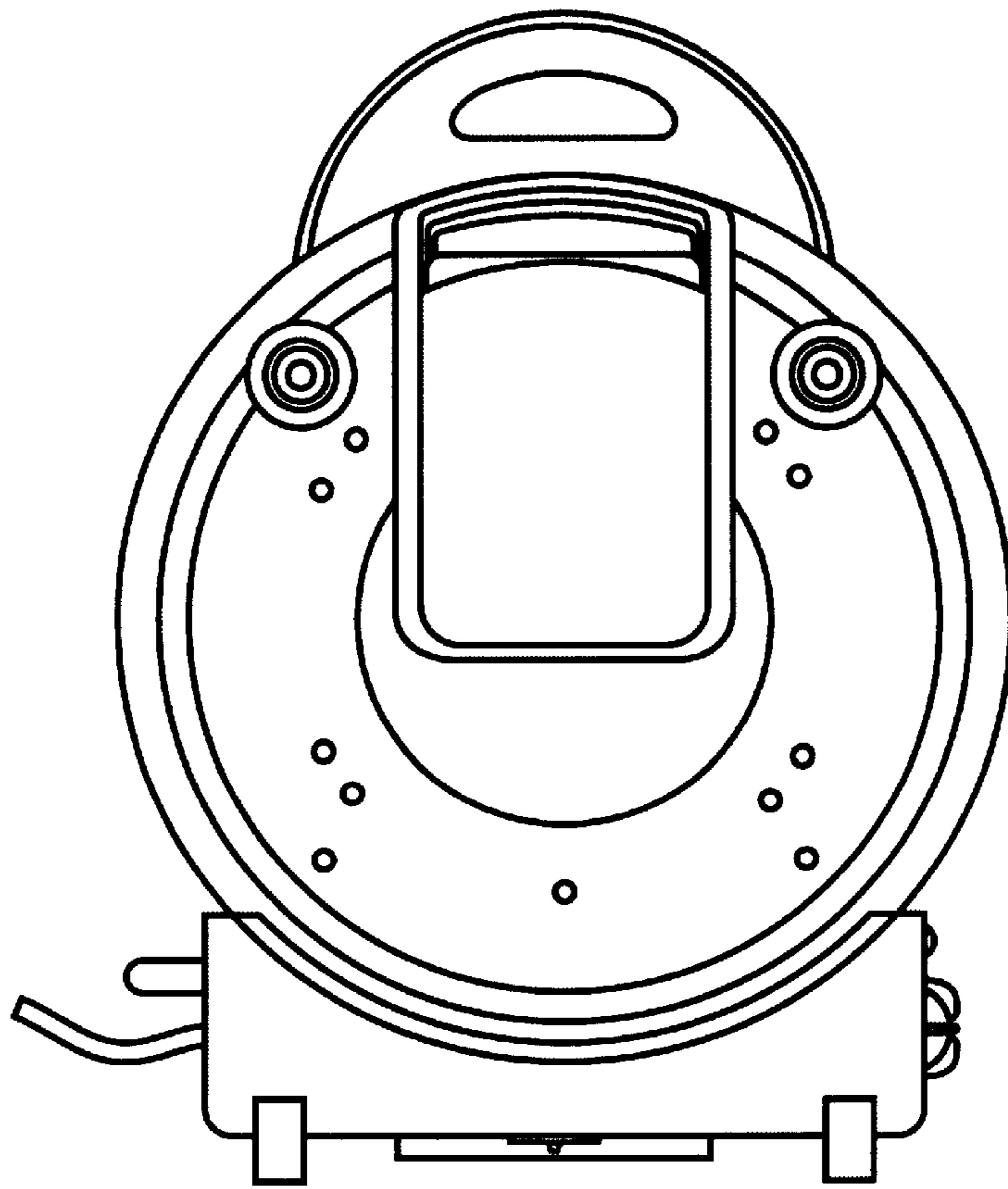


Fig. 4

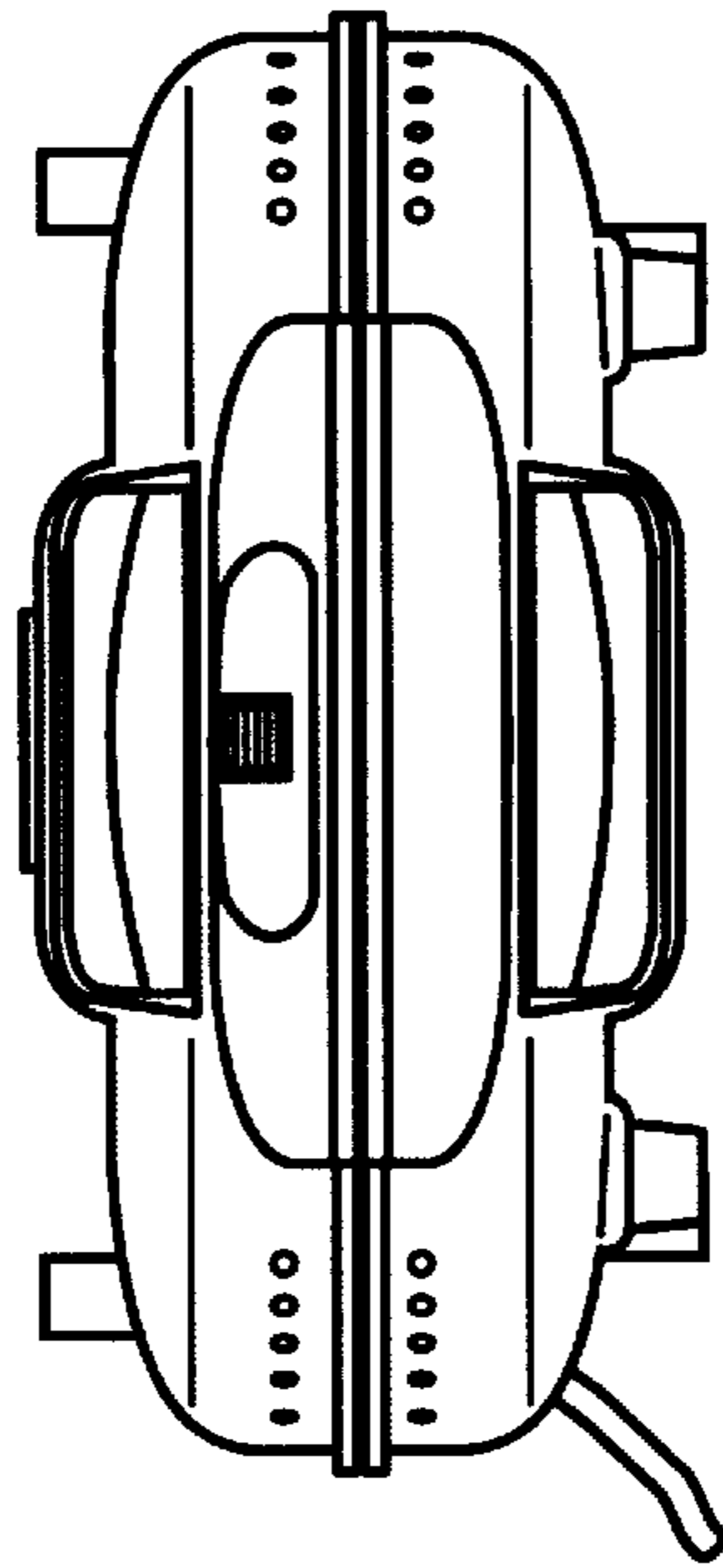


Fig. 5

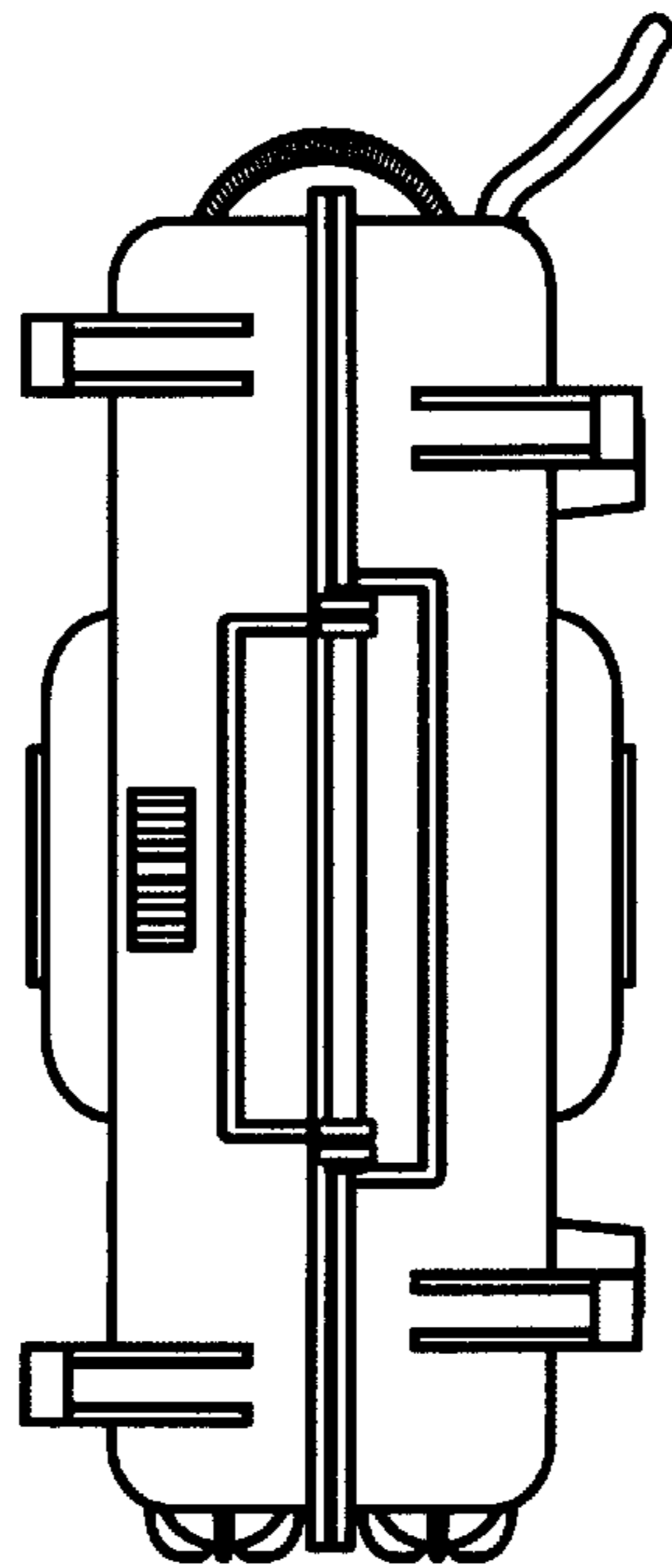


Fig. 6

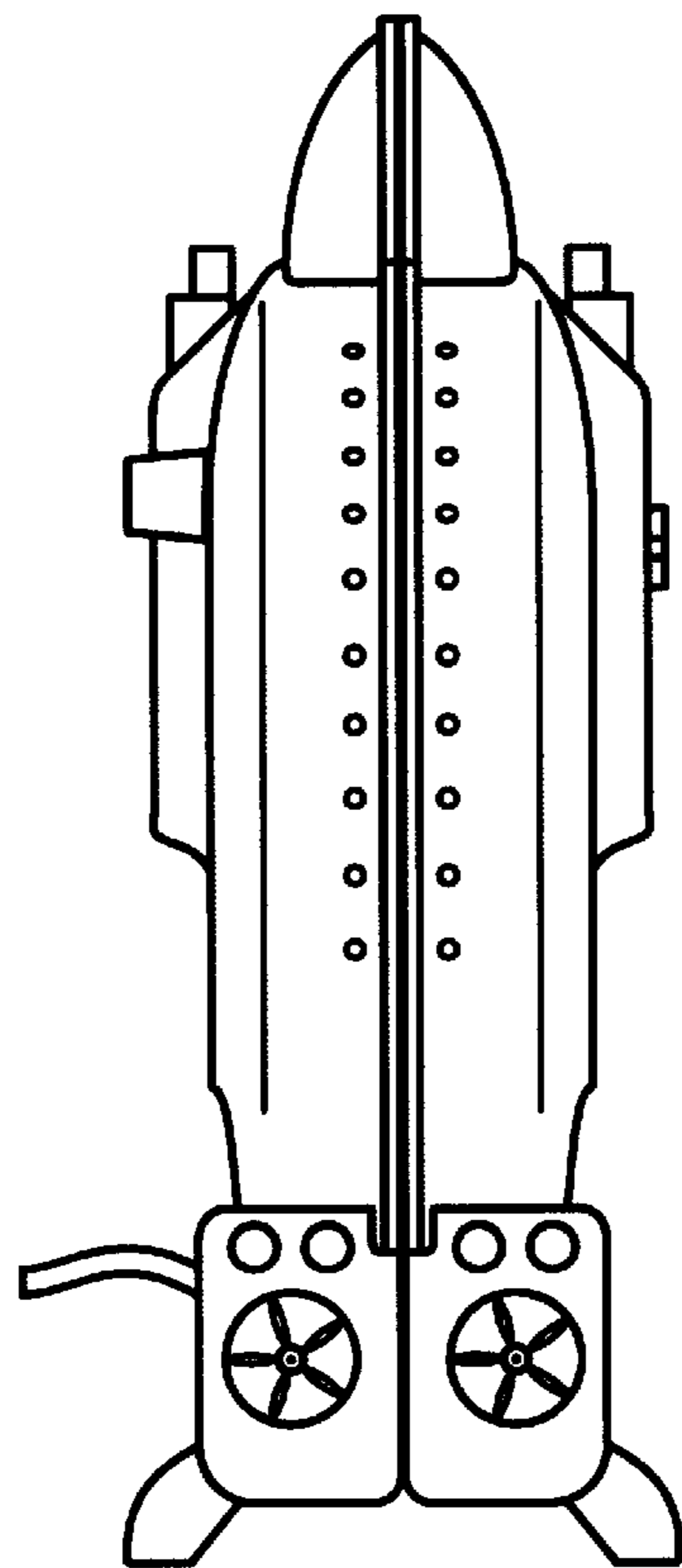


Fig. 7

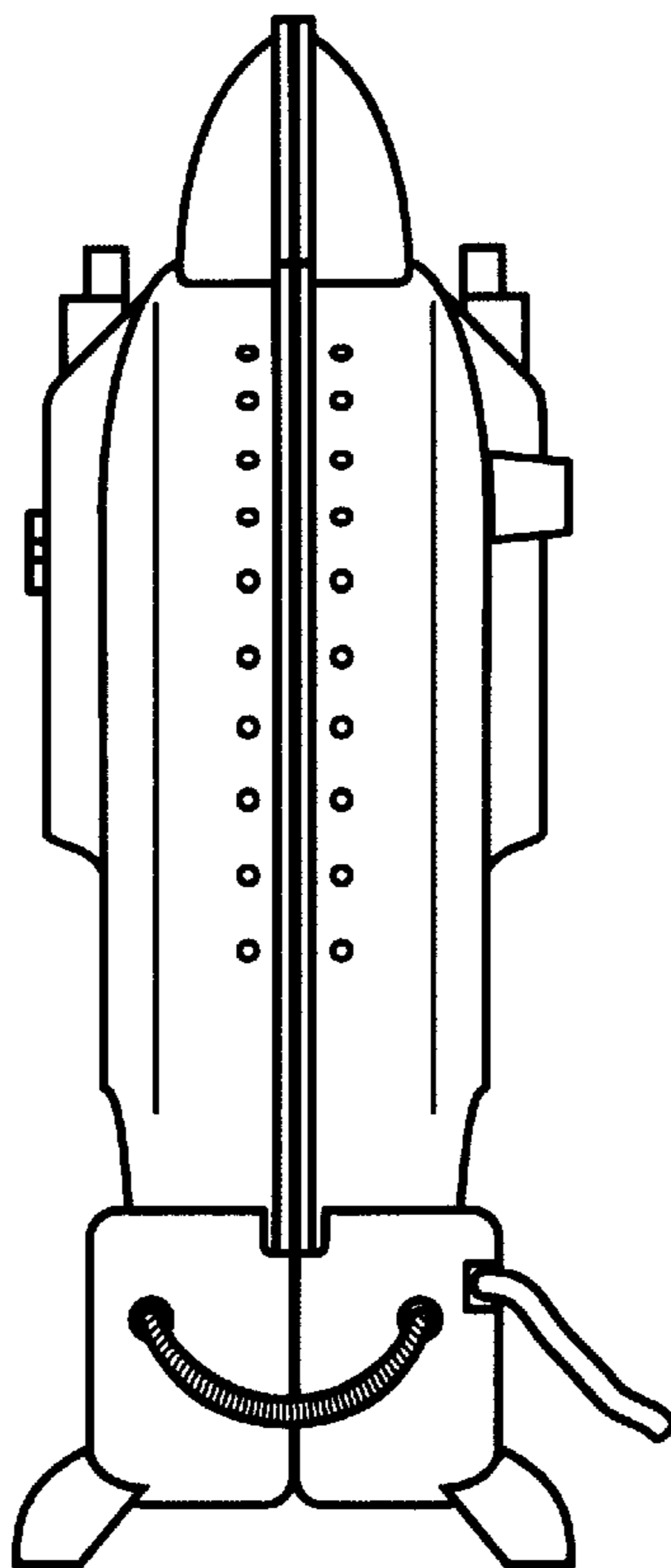


Fig. 8

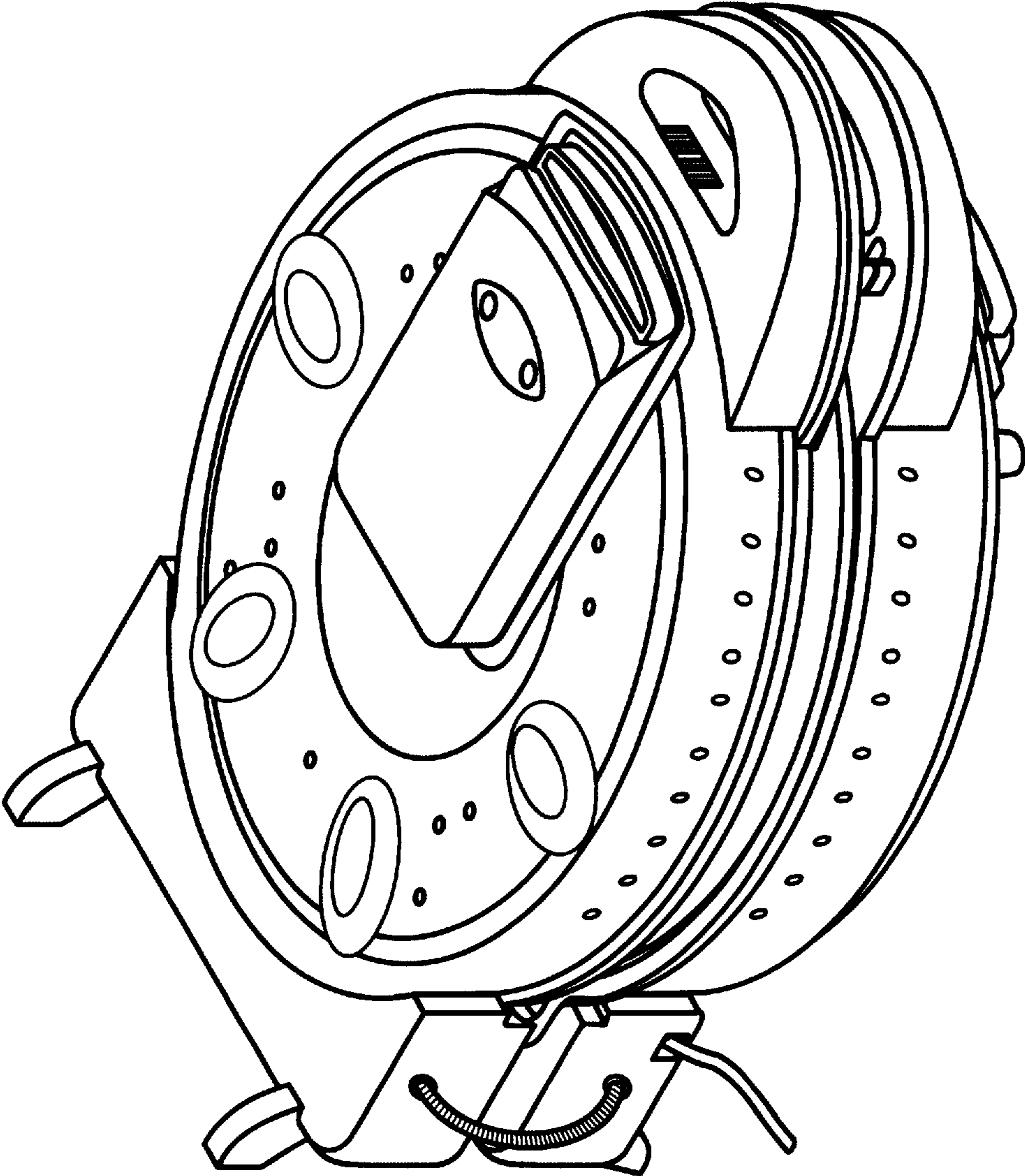


Fig. 9

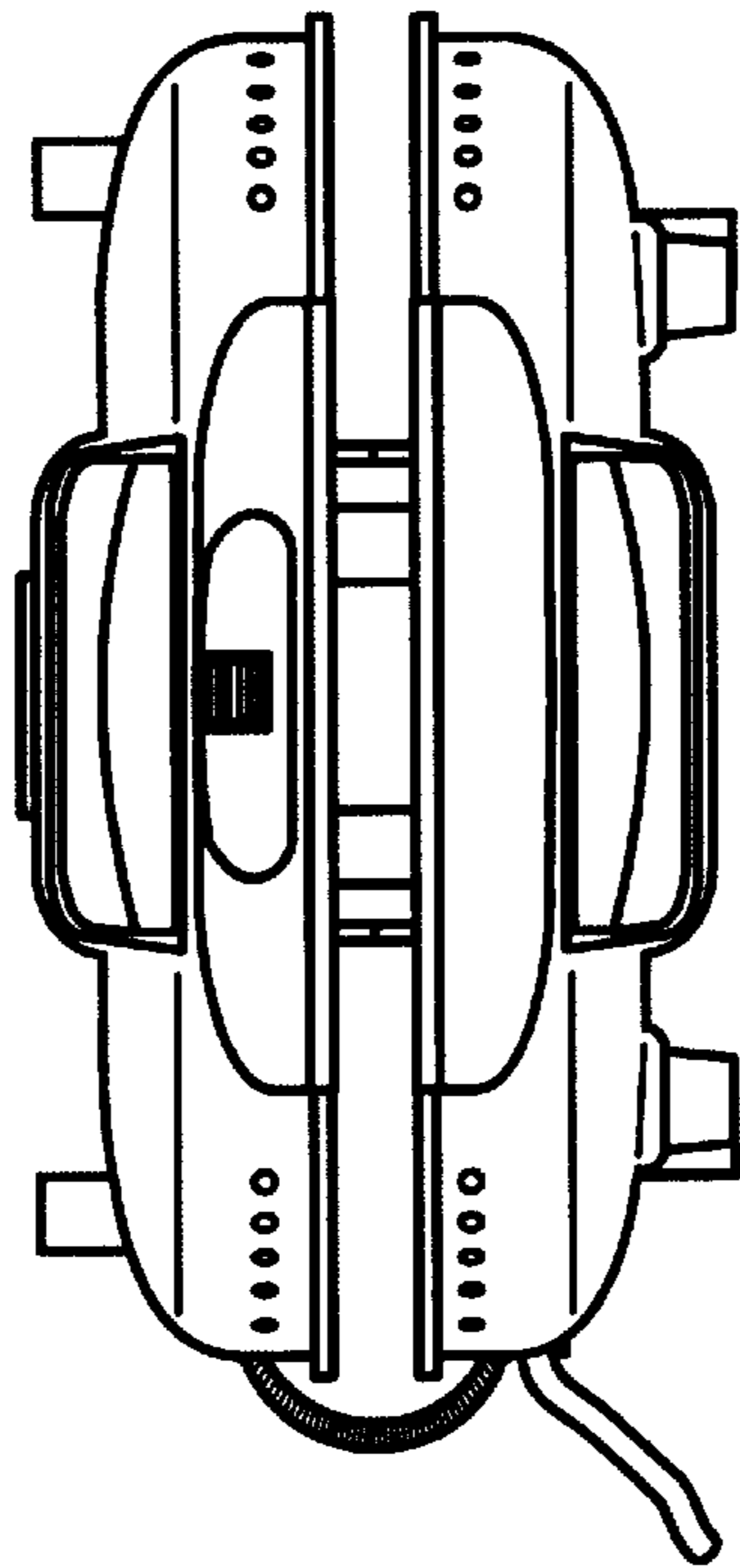


Fig. 10

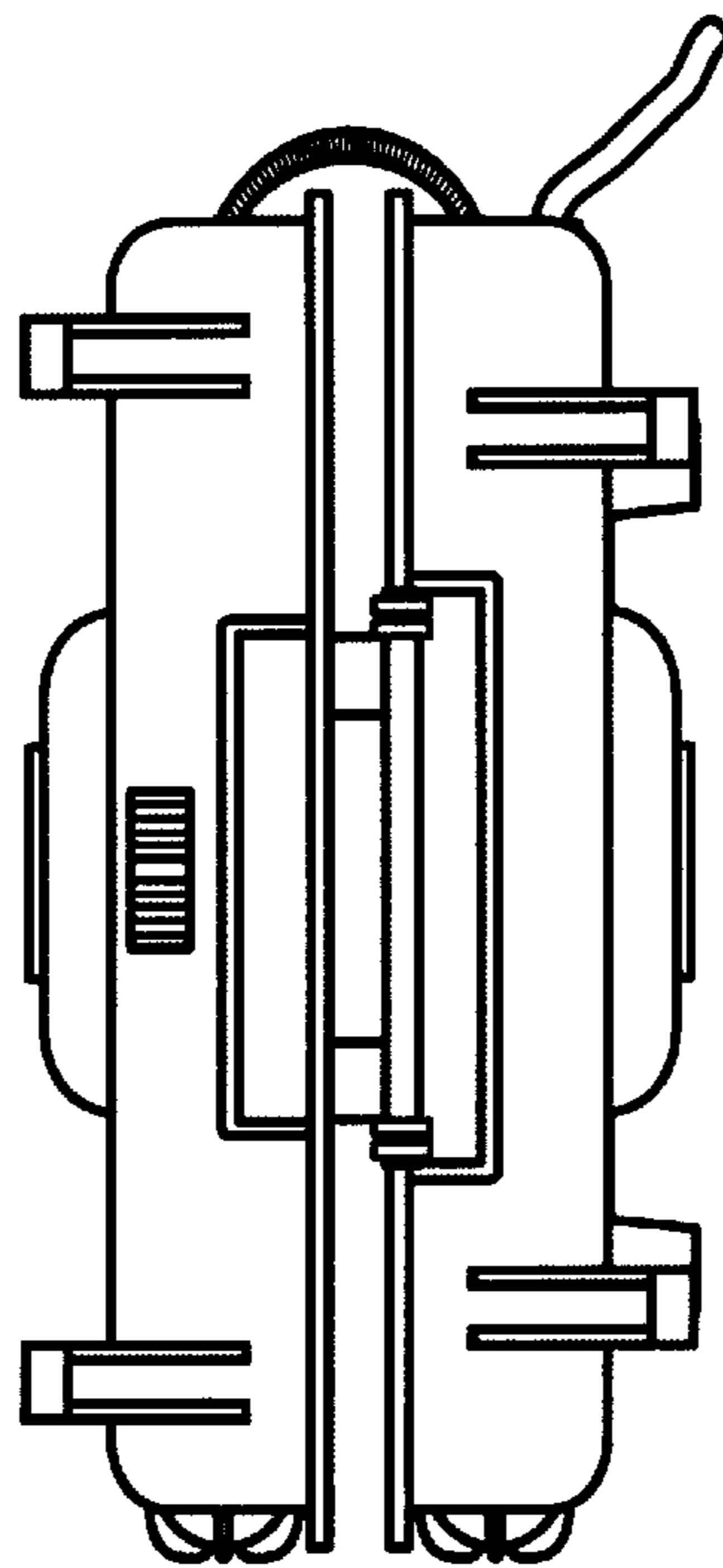


Fig. 11

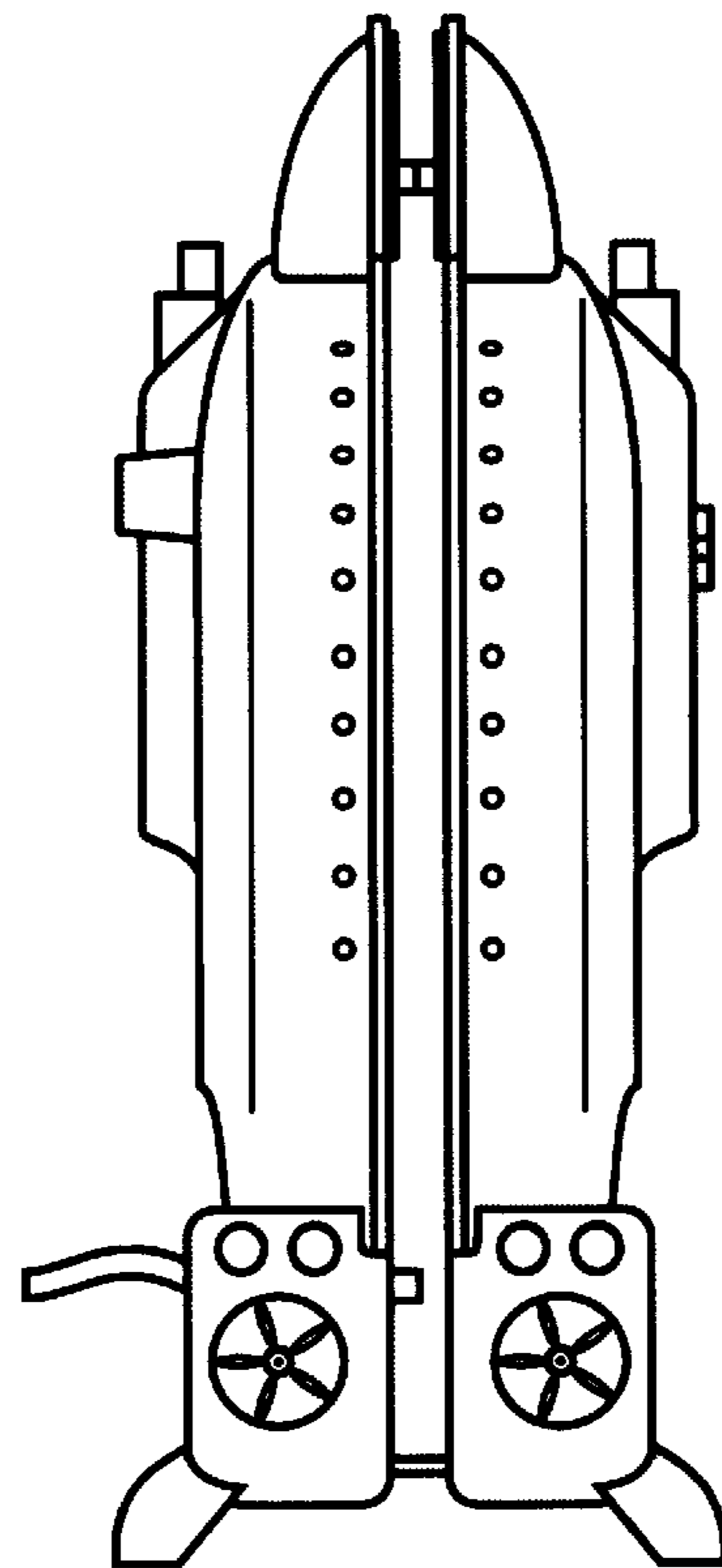


Fig. 12

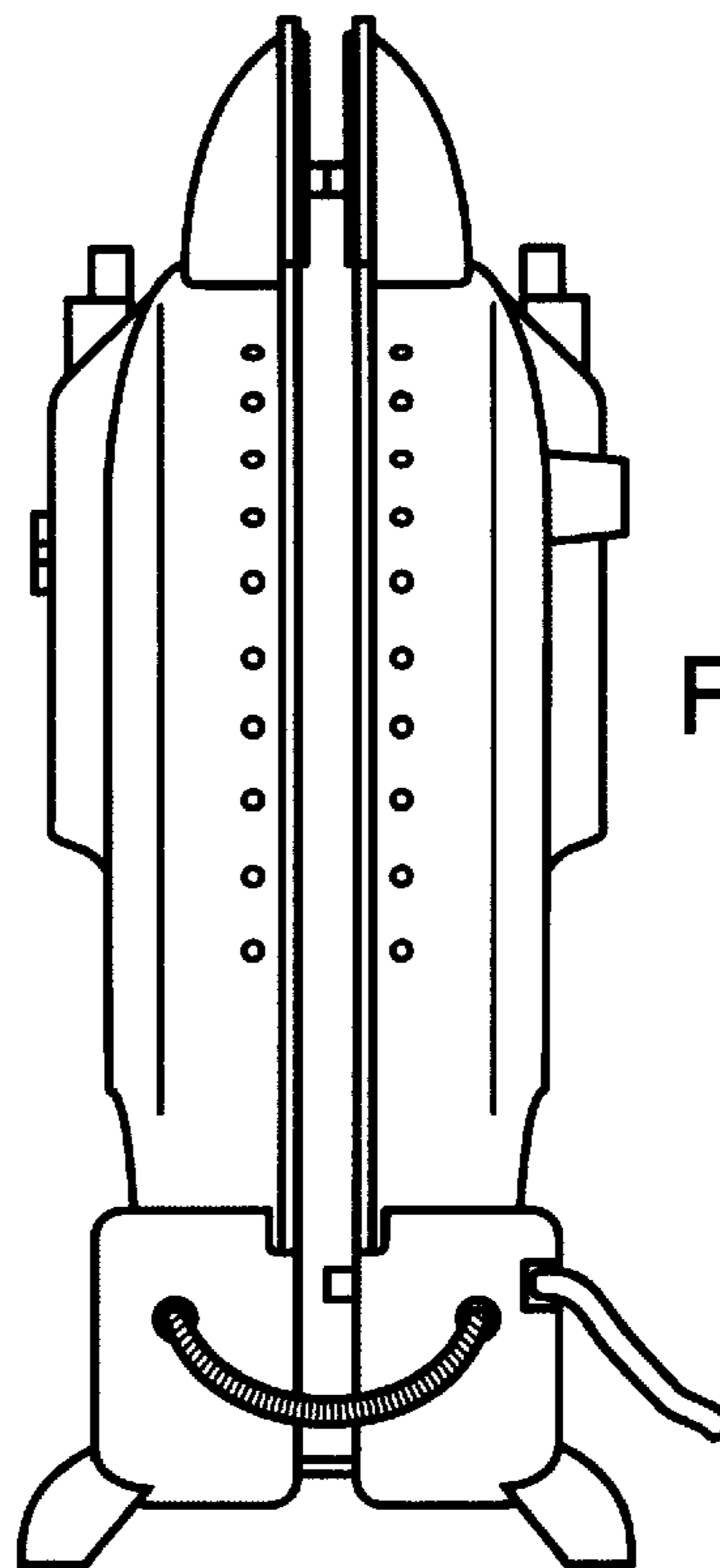


Fig. 13

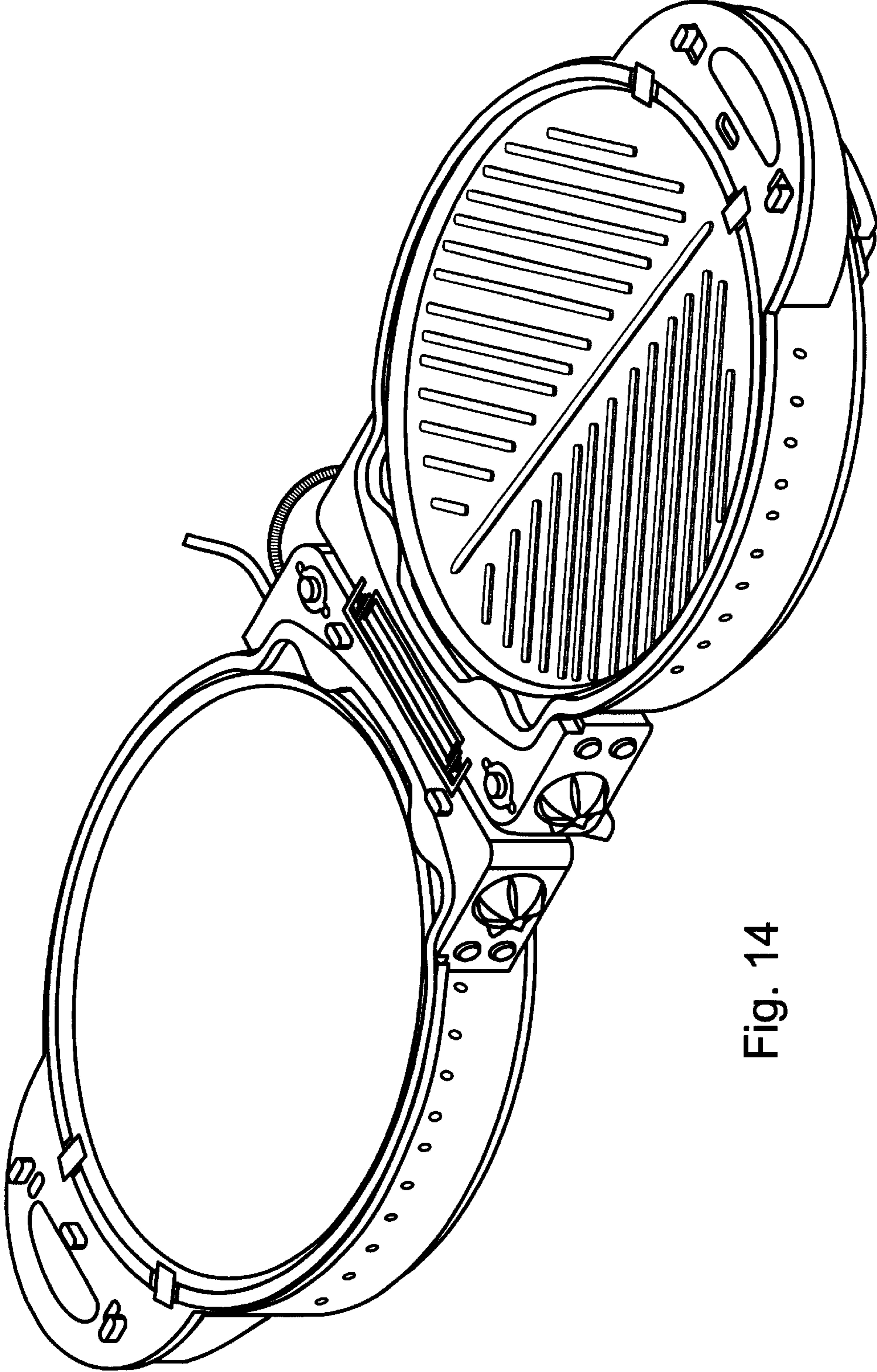


Fig. 14

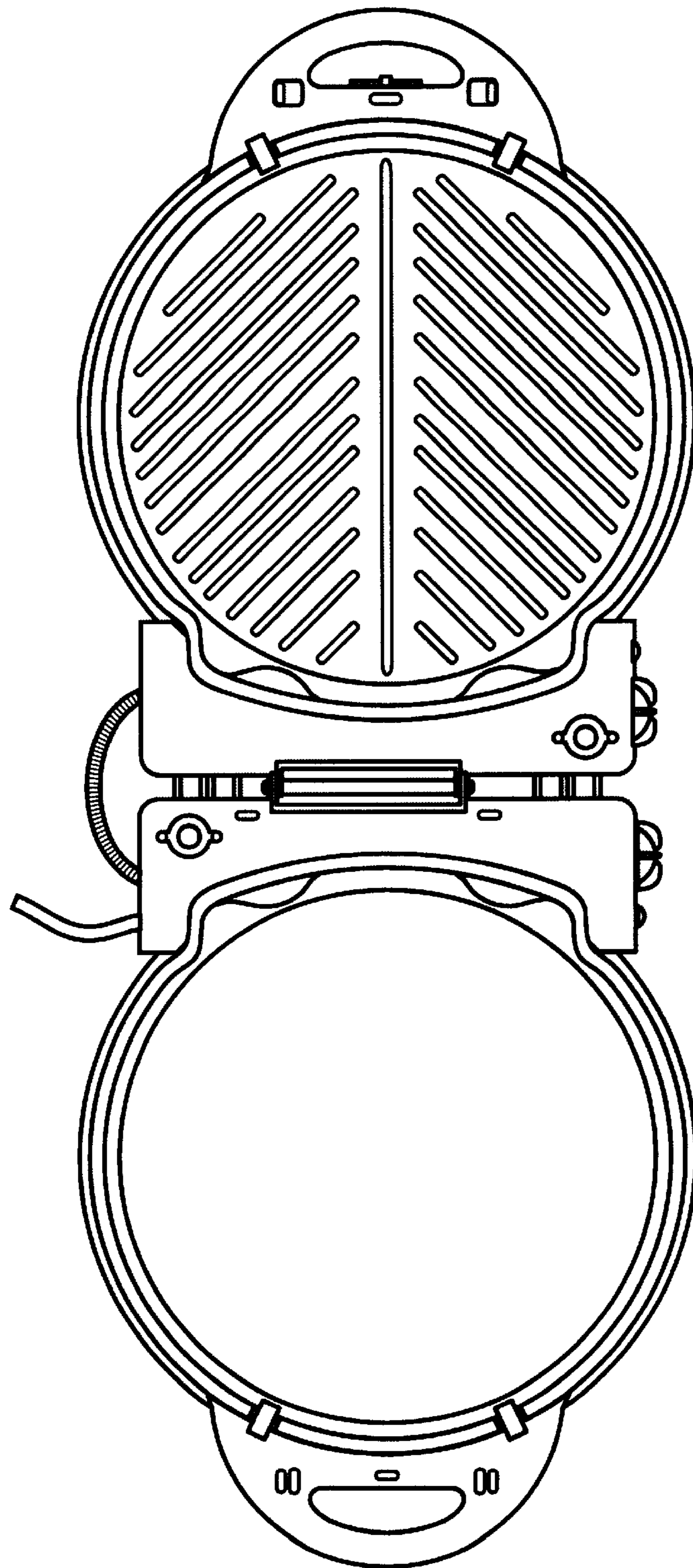


Fig. 15

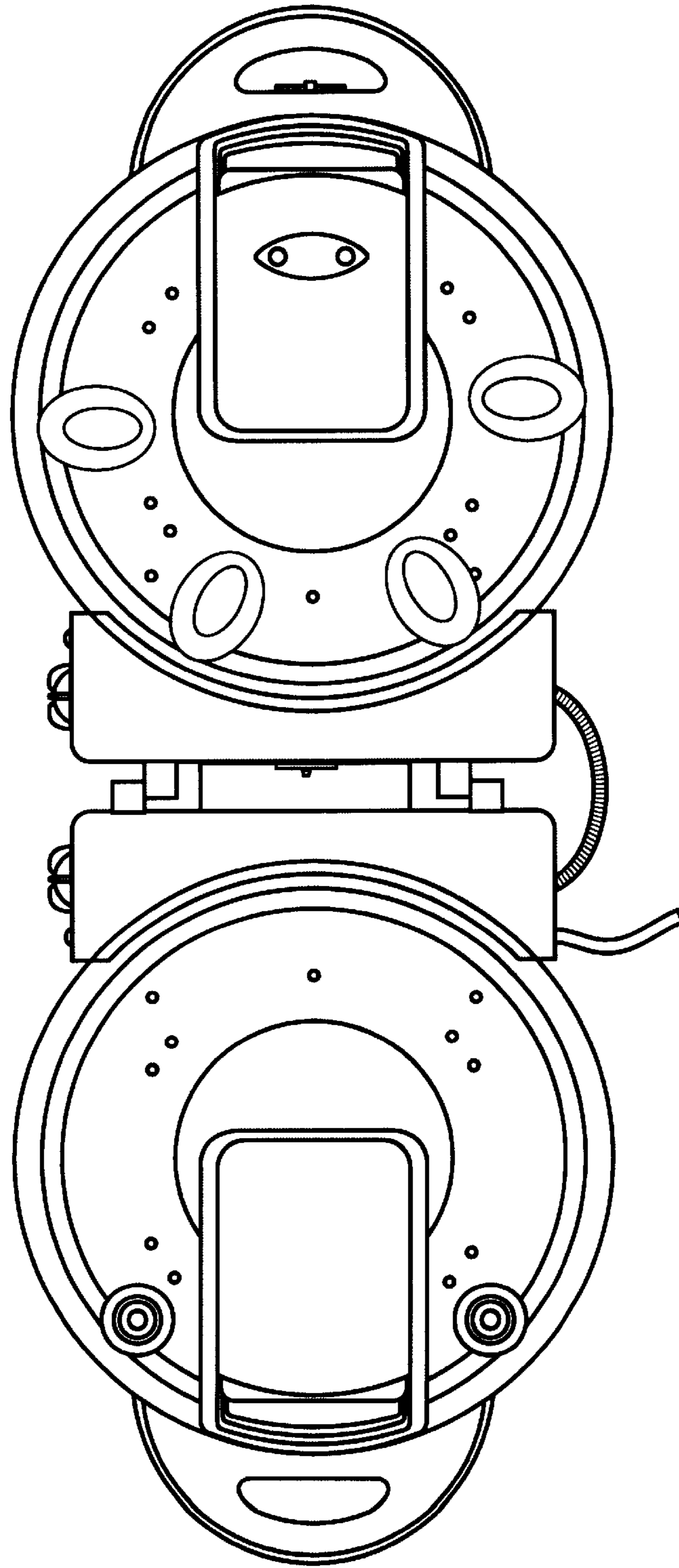


Fig. 16

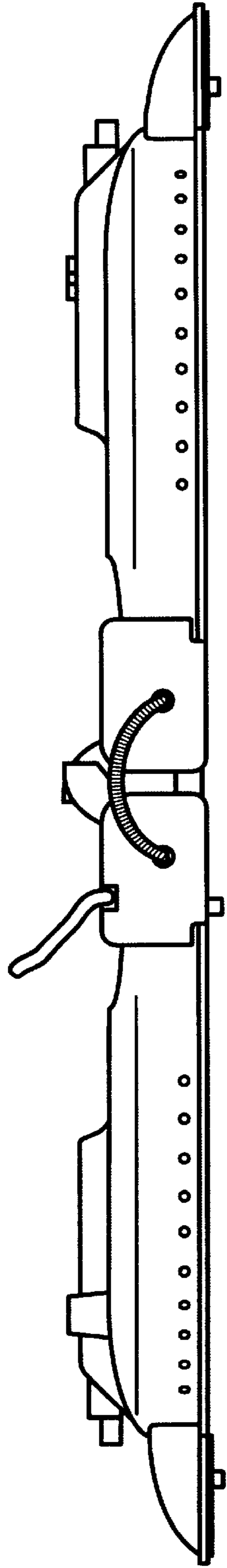


Fig. 17

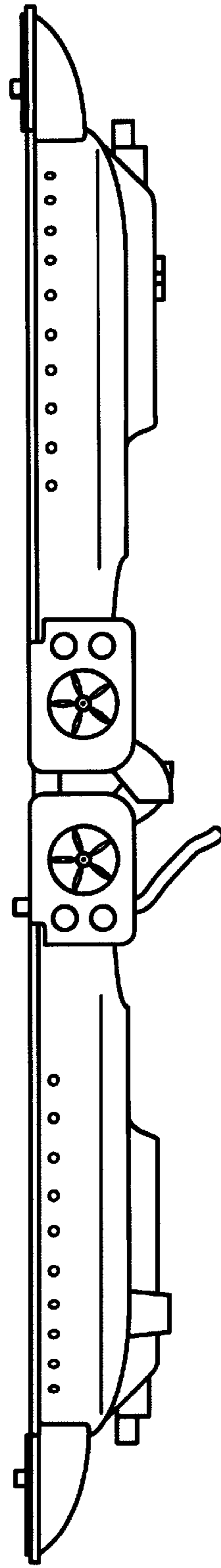


Fig. 18