



US00D543408S

(12) **United States Design Patent** (10) **Patent No.:** **US D543,408 S**  
**Dawes** (45) **Date of Patent:** **\*\* May 29, 2007**

(54) **SEMI-HEART SHAPED VERTICAL SUPPORT ASSEMBLY**

(75) Inventor: **Jordan Dawes**, 533 Vernon Ave., Unit B, Venice, CA (US) 90291

(73) Assignee: **Jordan Dawes**, Venice, CA (US)

(\*\*) Term: **14 Years**

(21) Appl. No.: **29/221,912**

(22) Filed: **Jan. 20, 2005**

(51) **LOC (8) Cl.** ..... **06-99**

(52) **U.S. Cl.** ..... **D6/606**

(58) **Field of Classification Search** ..... D6/317,  
D6/512, 566, 595, 596, 606, 607; 5/621-624,  
5/648-650, 662, 929, 927; D8/349-373;  
D24/128, 183, 184; D21/780; D11/143, 148,  
D11/153; D14/229; 289/165; 211/34; 248/106  
See application file for complete search history.

(56) **References Cited**

**U.S. PATENT DOCUMENTS**

1,082,808	A	*	12/1913	Hubbard	.....	248/106
D247,339	S	*	2/1978	Reiback	.....	D11/148
D292,796	S	*	11/1987	Rosenthal	.....	D14/229
D307,182	S	*	4/1990	Smith	.....	D24/128
5,224,607	A	*	7/1993	Koresko	.....	211/34
D357,813	S	*	5/1995	Koresko	.....	D6/317
D486,544	S	*	2/2004	Featherston	.....	D21/780
6,698,044	B2	*	3/2004	Greenfield et al.	.....	5/624
2003/0182726	A1	*	10/2003	Greenfield et al.	.....	5/648
2004/0181877	A1	*	9/2004	Miller	.....	5/622

\* cited by examiner

*Primary Examiner*—Robert M. Spear  
*Assistant Examiner*—Mary Ann Calabrese  
(74) *Attorney, Agent, or Firm*—Tope-McKay & Associates

(57) **CLAIM**

The ornamental design for a semi-heart shaped vertical support assembly, as shown and described.

**DESCRIPTION**

FIG. 1 is a top-side perspective view of un-assembled semi-heart shaped vertical support assembly incorporating our new design;

FIG. 2 is an enlarged right side view of a semi-heart shaped vertical support assembly;

FIG. 3 is a further enlarged bottom view of a semi-heart shaped vertical support assembly, illustrating a support member for attaching to a user's bed;

FIG. 4 is a top view of a semi-heart shaped vertical support assembly, illustrating the support member and a portion of the semi-heart shaped vertical support assembly extending up and over the support member;

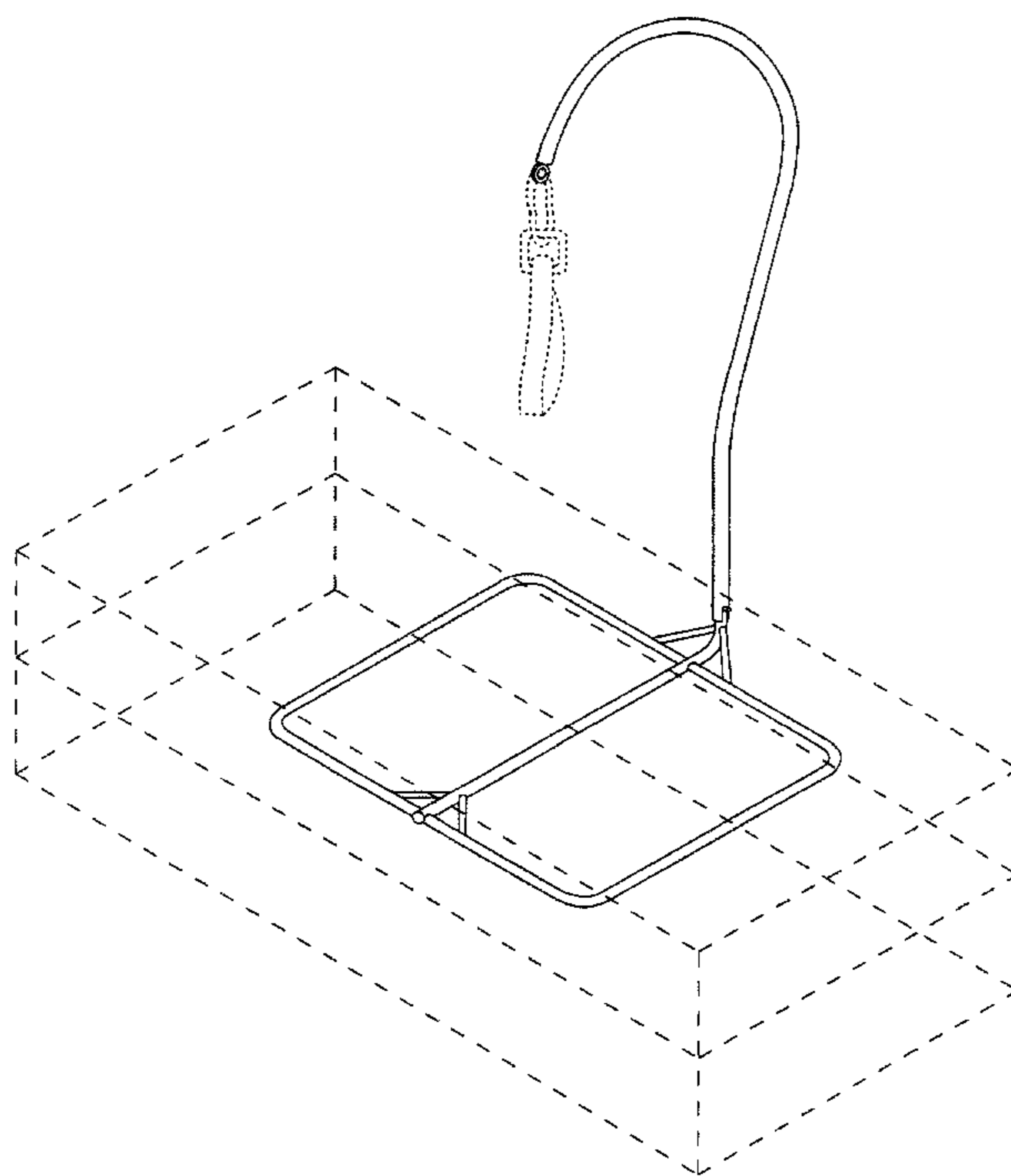
FIG. 5 is a front view of a semi-heart shaped vertical support assembly of the design of FIG. 2;

FIG. 6 is a back view of a semi-heart shaped vertical support assembly; and,

FIG. 7 is a top-side perspective view of a semi-heart shaped vertical support assembly attached to a user's bed for illustrative purposes.

The broken line showing of a box spring, mattress and attachment is for illustrative purposes only and forms no part of the claimed design.

**1 Claim, 7 Drawing Sheets**



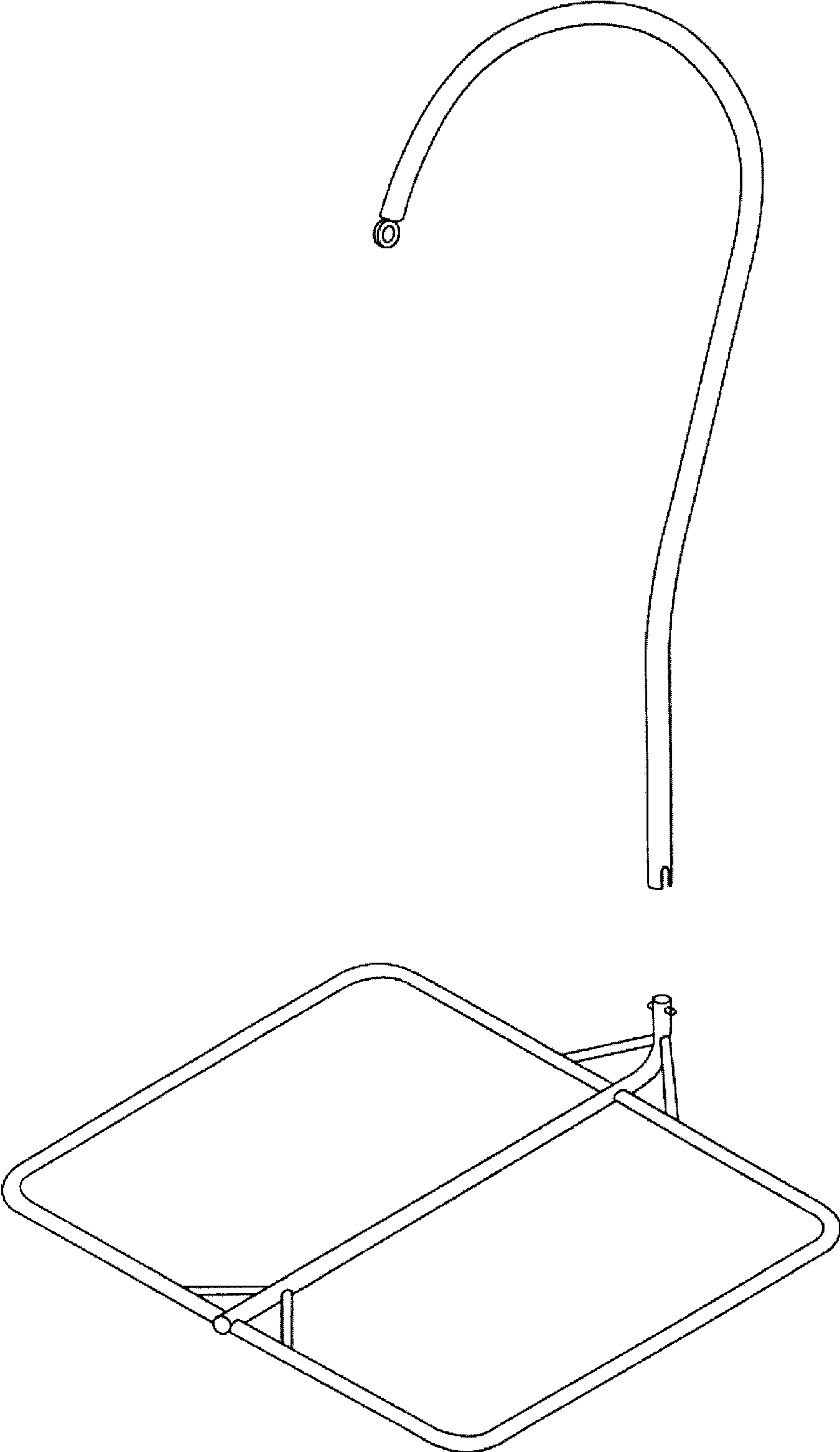
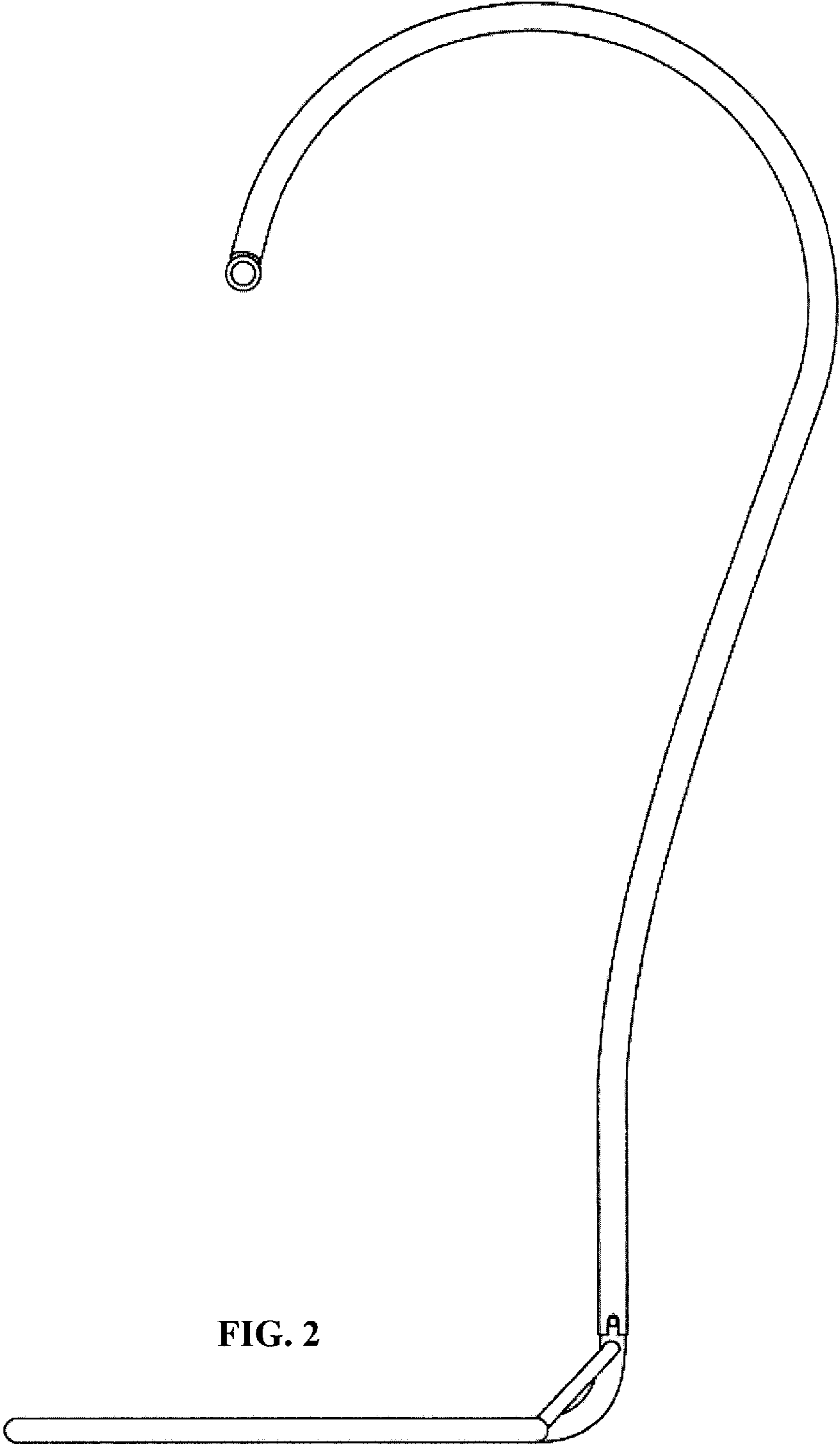


FIG. 1



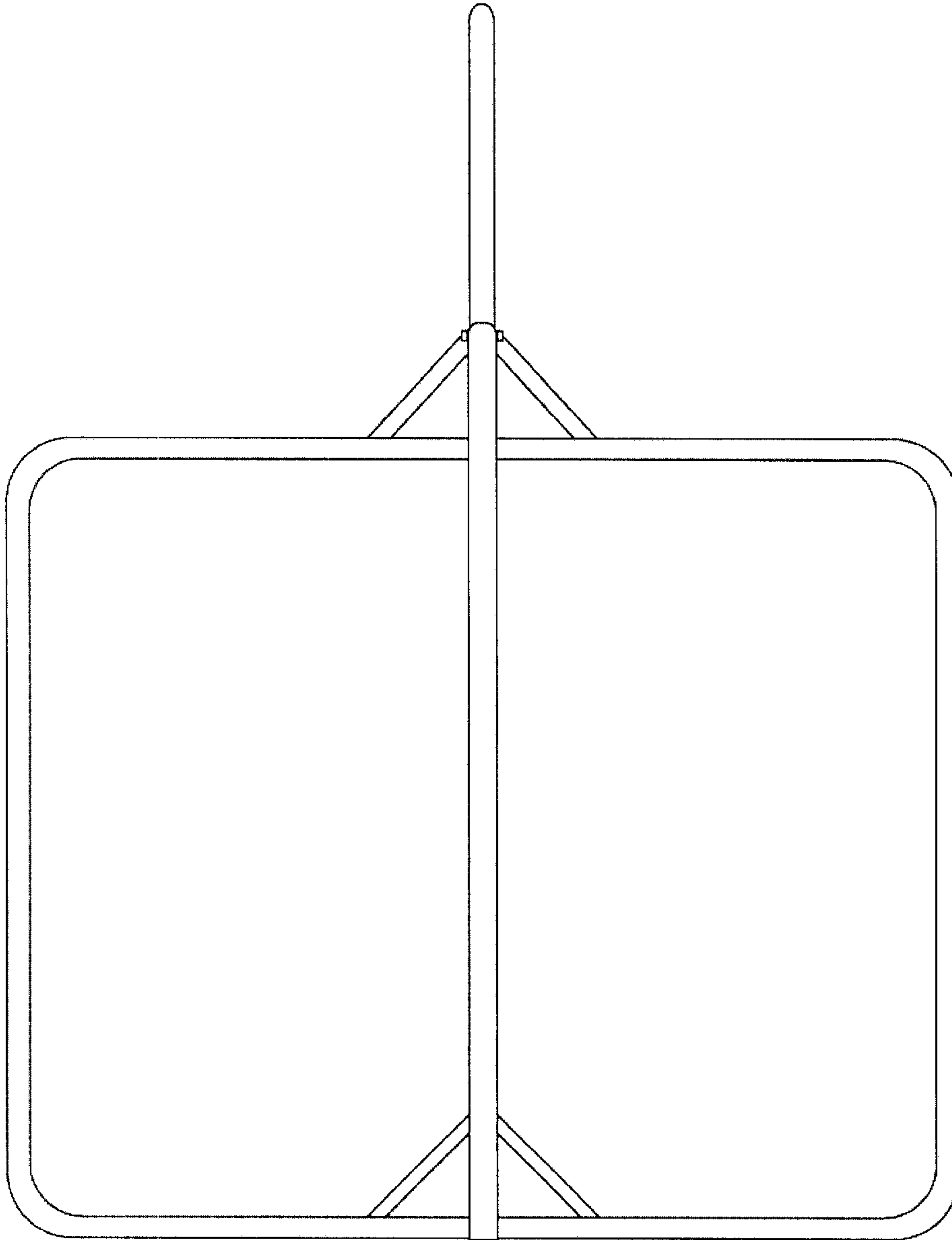


FIG. 3

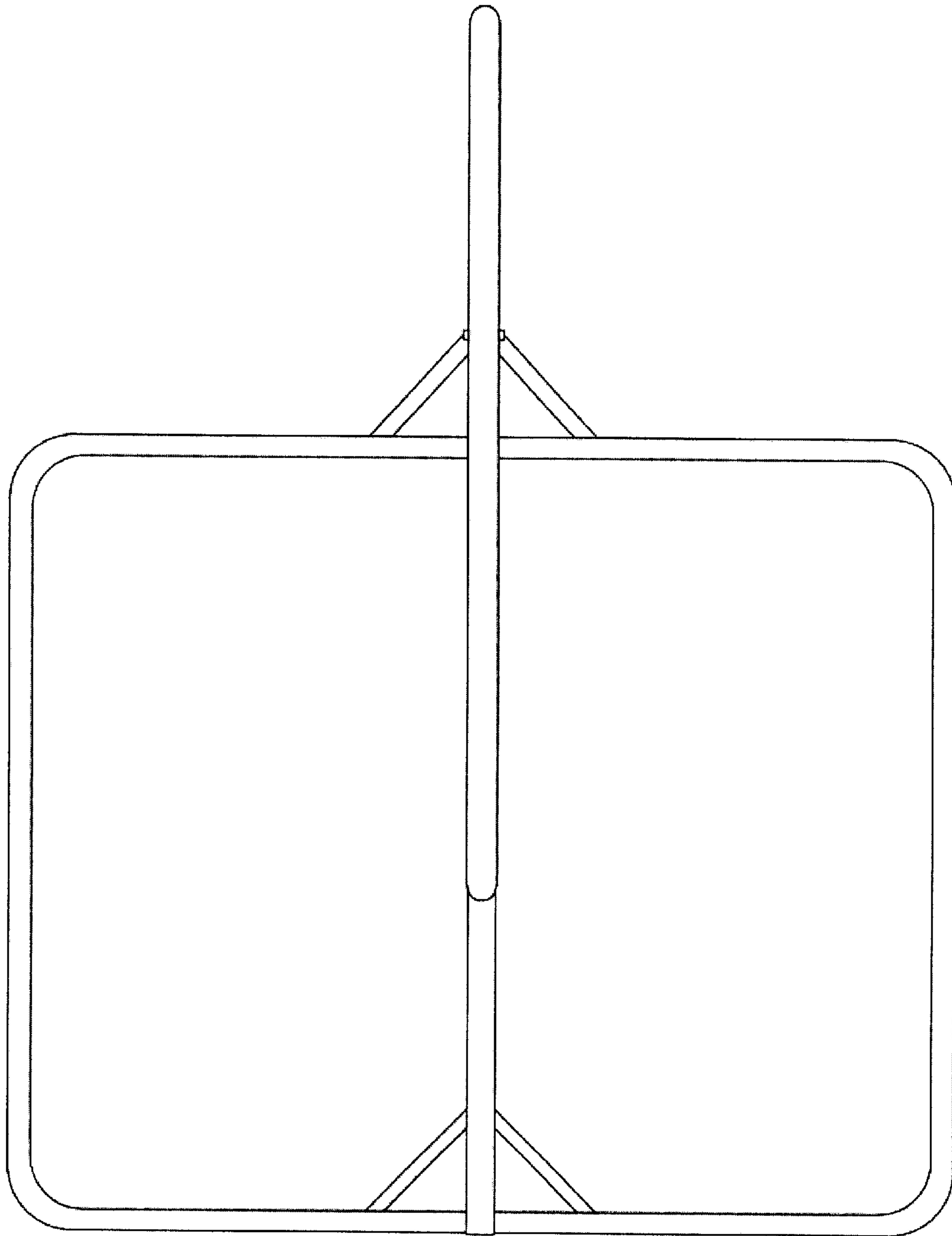


FIG. 4

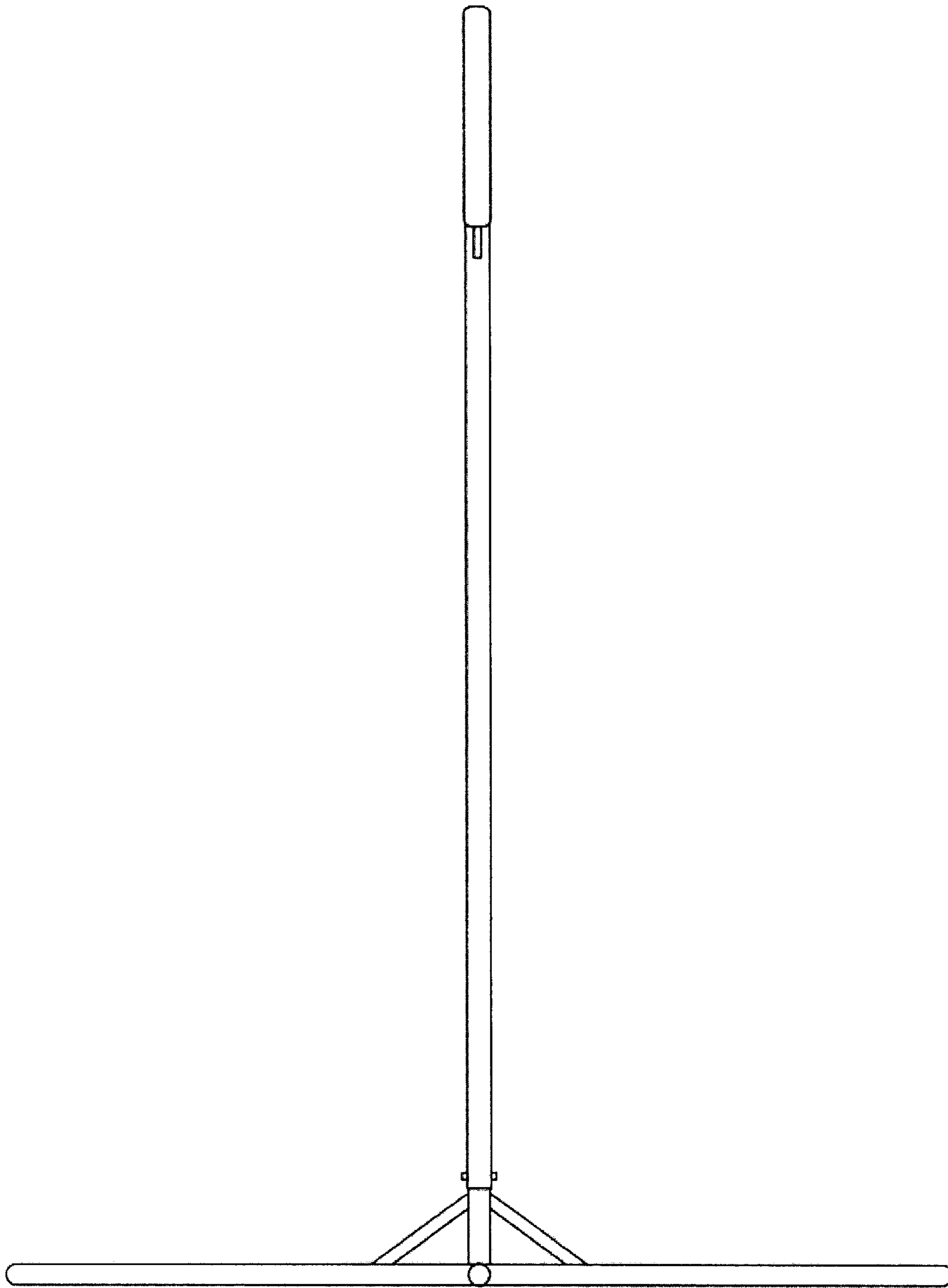


FIG. 5

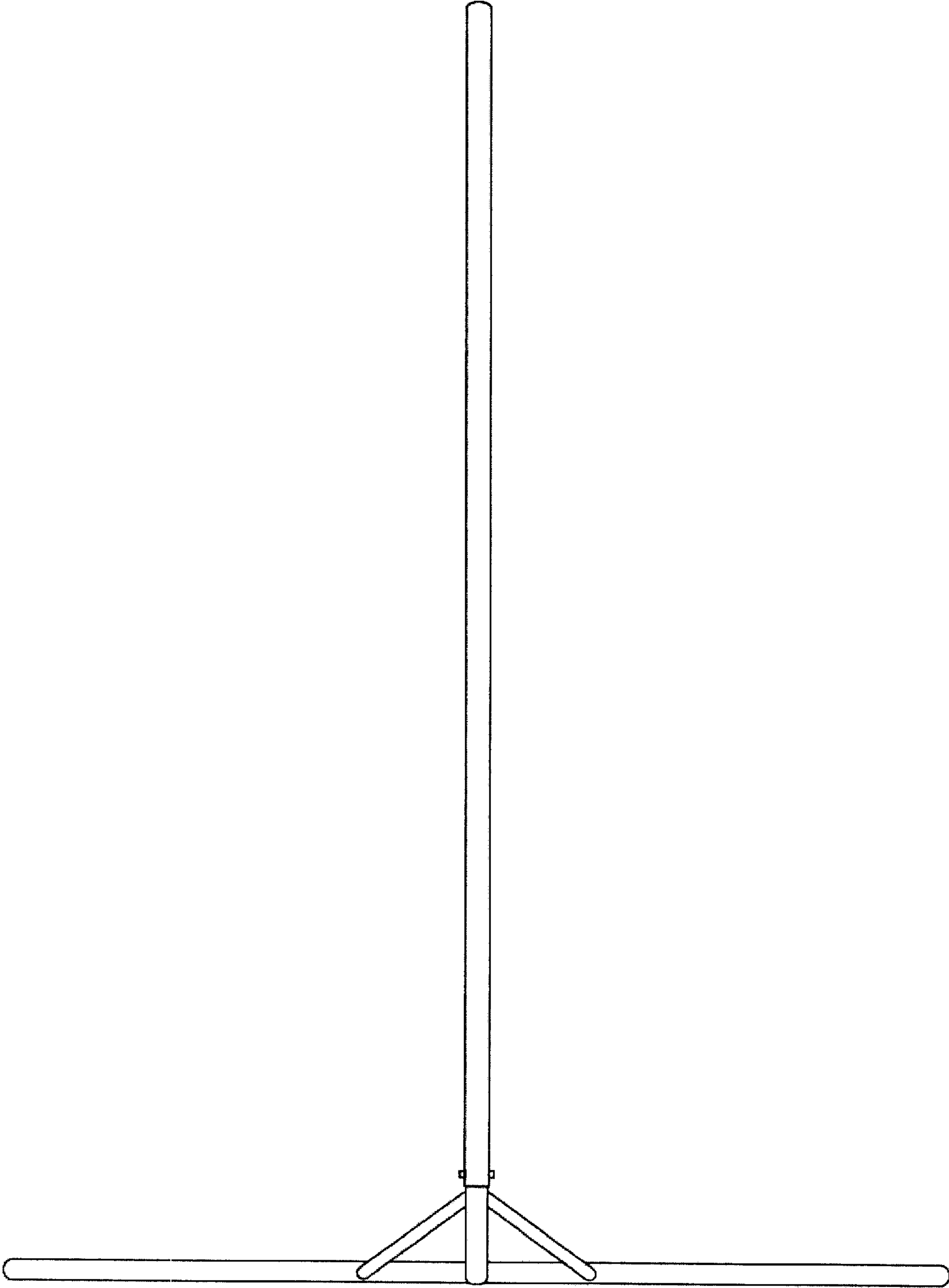


FIG. 6

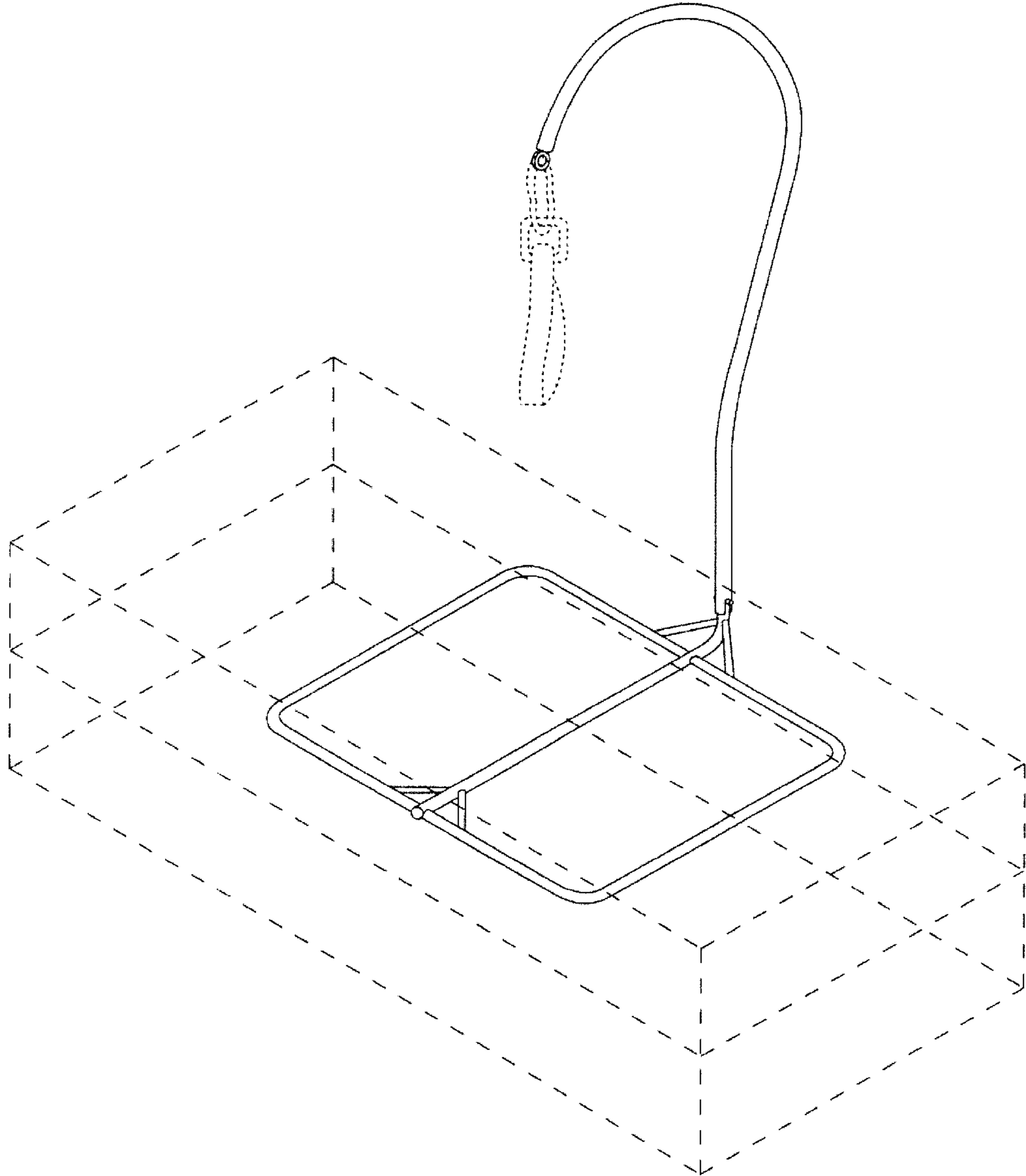


FIG. 7