

US00D543407S

(12) **United States Design Patent**
Thom

(10) **Patent No.:** **US D543,407 S**

(45) **Date of Patent:** **** May 29, 2007**

(54) **PORTABLE BED SYSTEM HAVING
RESILIENT PAD SUPPORTED BY
MULTIPLE INFLATABLE BLADDERS**

(76) Inventor: **Scott T. Thom**, 512 Nantucket Dr.,
Sandusky, OH (US) 44870

(**) Term: **14 Years**

(21) Appl. No.: **29/237,430**

(22) Filed: **Sep. 1, 2005**

(51) **LOC (8) Cl.** **06-09**

(52) **U.S. Cl.** **D6/604**

(58) **Field of Classification Search** D6/595,
D6/596, 601, 602, 604, 605; 5/600, 613,
5/630, 632, 633, 642, 643, 652, 655.3, 655.5,
5/731, 902; D24/183; D25/113; 443/33; 297/452.16,
297/452.41; 128/845

See application file for complete search history.

(56) **References Cited**

U.S. PATENT DOCUMENTS

2,940,087	A	*	6/1960	Augustine	5/642
3,139,631	A	*	7/1964	Augustine	5/643
3,143,803	A	*	8/1964	Lunn	433/33
3,717,885	A		2/1973	De Mare		
4,484,781	A	*	11/1984	Phelps	297/452.41
4,527,298	A		7/1985	Moulton		
4,694,515	A		9/1987	Rogers, Jr.		
4,958,627	A		9/1990	Park		
4,977,629	A		12/1990	Jones		
5,815,862	A		10/1998	Rygiel		
6,334,442	B1	*	1/2002	Altamura	128/845

D487,553	S	*	3/2004	Morikawa	D6/601
6,823,545	B1	*	11/2004	Davis	5/630
D502,350	S	*	3/2005	O'Reagan	D6/596
D515,709	S	*	2/2006	Charon	D25/113
D521,301	S	*	5/2006	Dickson	D6/601
2003/0038523	A1	*	2/2003	Sands	297/452.16

* cited by examiner

Primary Examiner—Robert M. Spear

Assistant Examiner—Mary Ann Calabrese

(74) *Attorney, Agent, or Firm*—Donald R. Schoonover

(57) **CLAIM**

I claim the ornamental design for a portable bed system having resilient pad supported by multiple inflatable bladders, as shown and described.

DESCRIPTION

FIG. 1 is a perspective view of a portable bed system having resilient pad supported by multiple inflatable bladders showing my new design;

FIG. 2 is a right side elevational view thereof, the left side elevational view being a mirror image thereof;

FIG. 3 is a top plan view thereof;

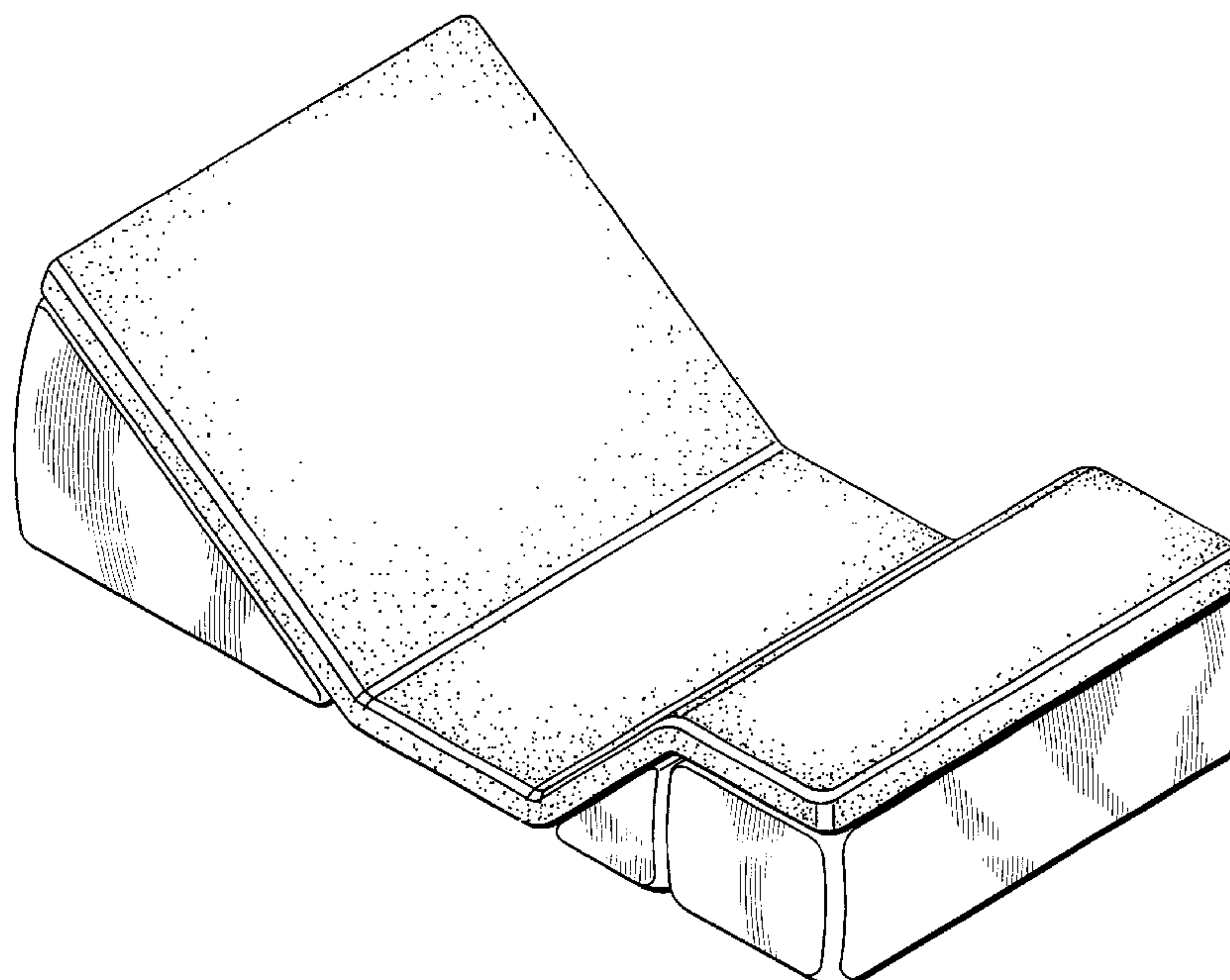
FIG. 4 is a front elevational view thereof;

FIG. 5 is a rear elevational view thereof;

FIG. 6 is a bottom plan view thereof; and,

FIG. 7 is a perspective view showing the portable bed system having resilient pad supported by multiple inflatable bladders in use; the broken lines depict environmental structure for illustrative purposes only and form no part of the claimed design.

1 Claim, 4 Drawing Sheets



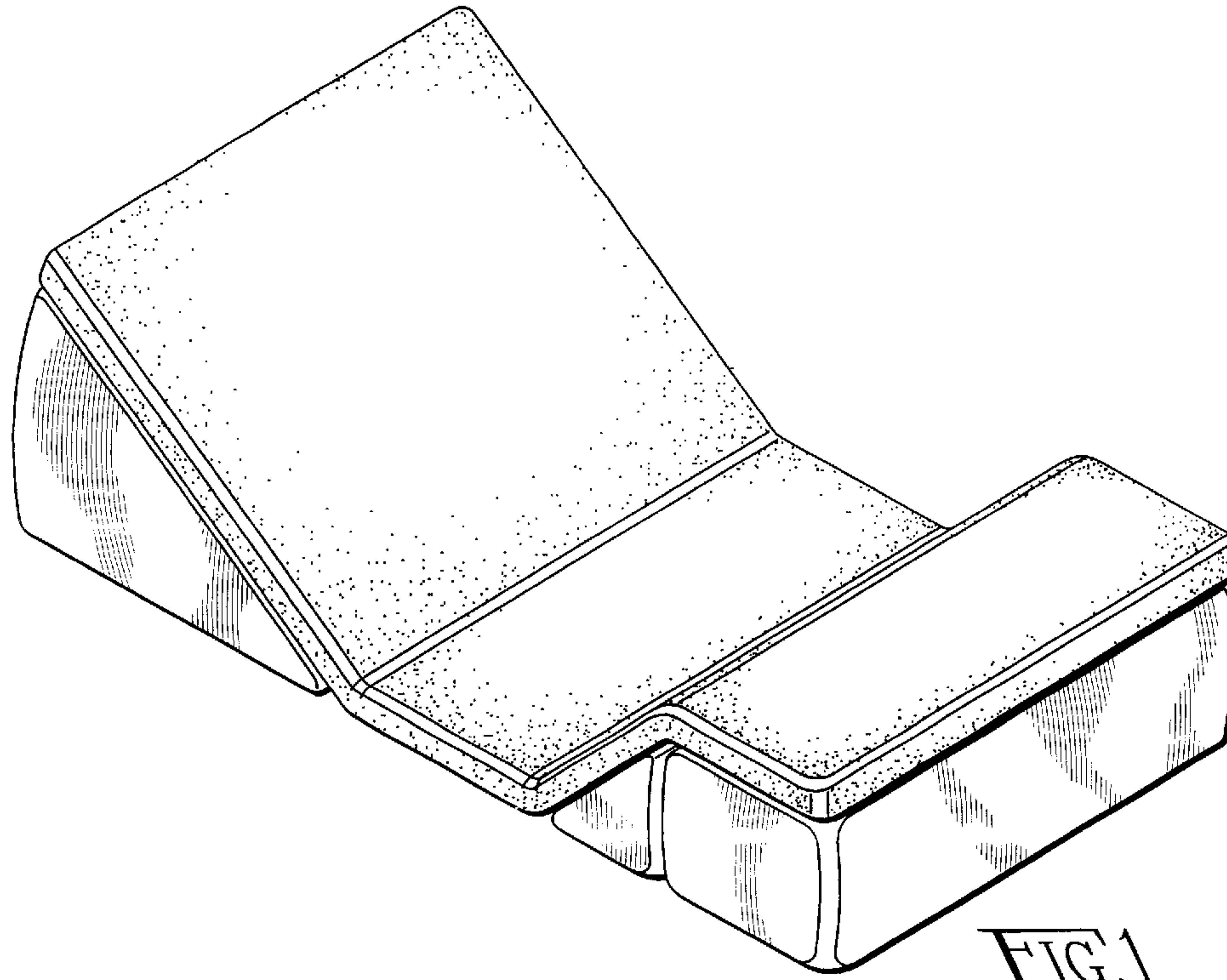


FIG. 1

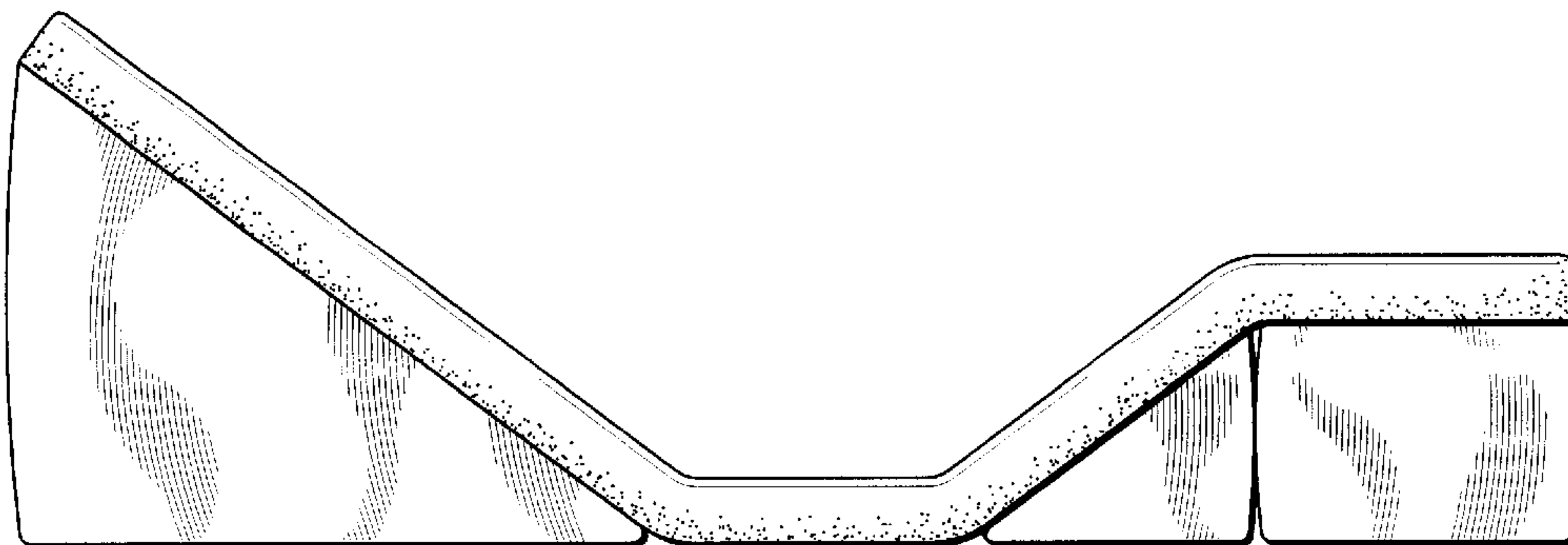


FIG. 2

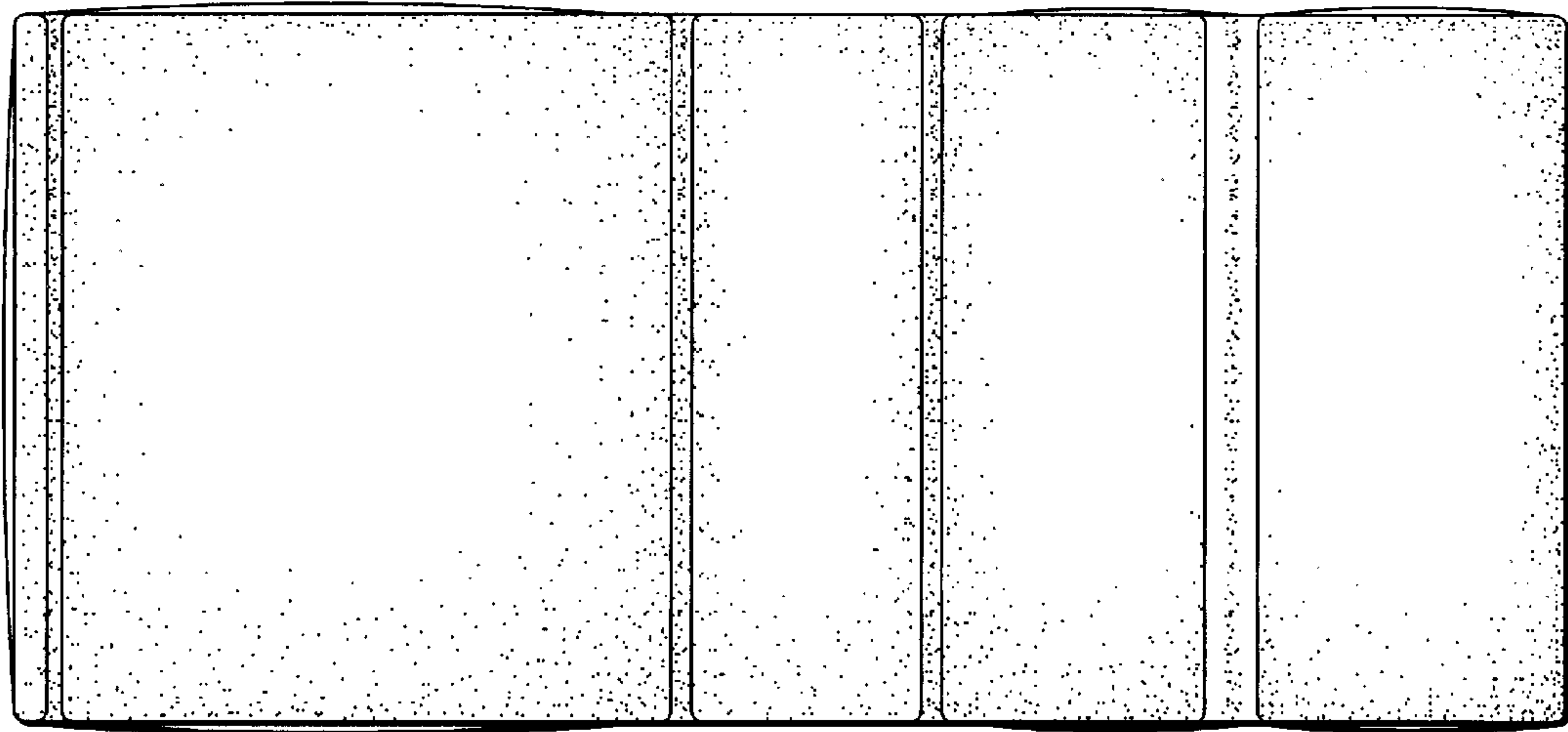


FIG. 3

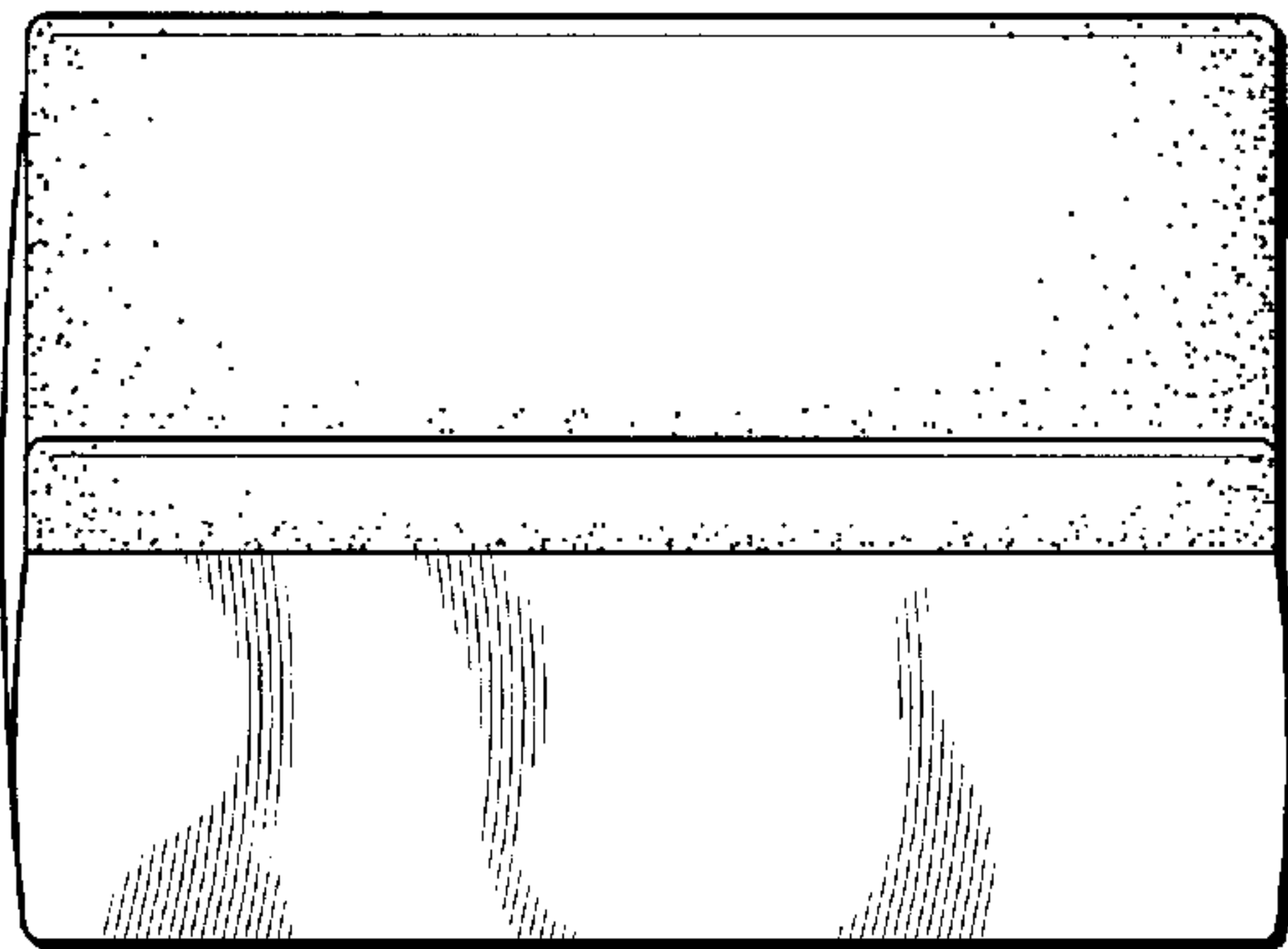


FIG. 4

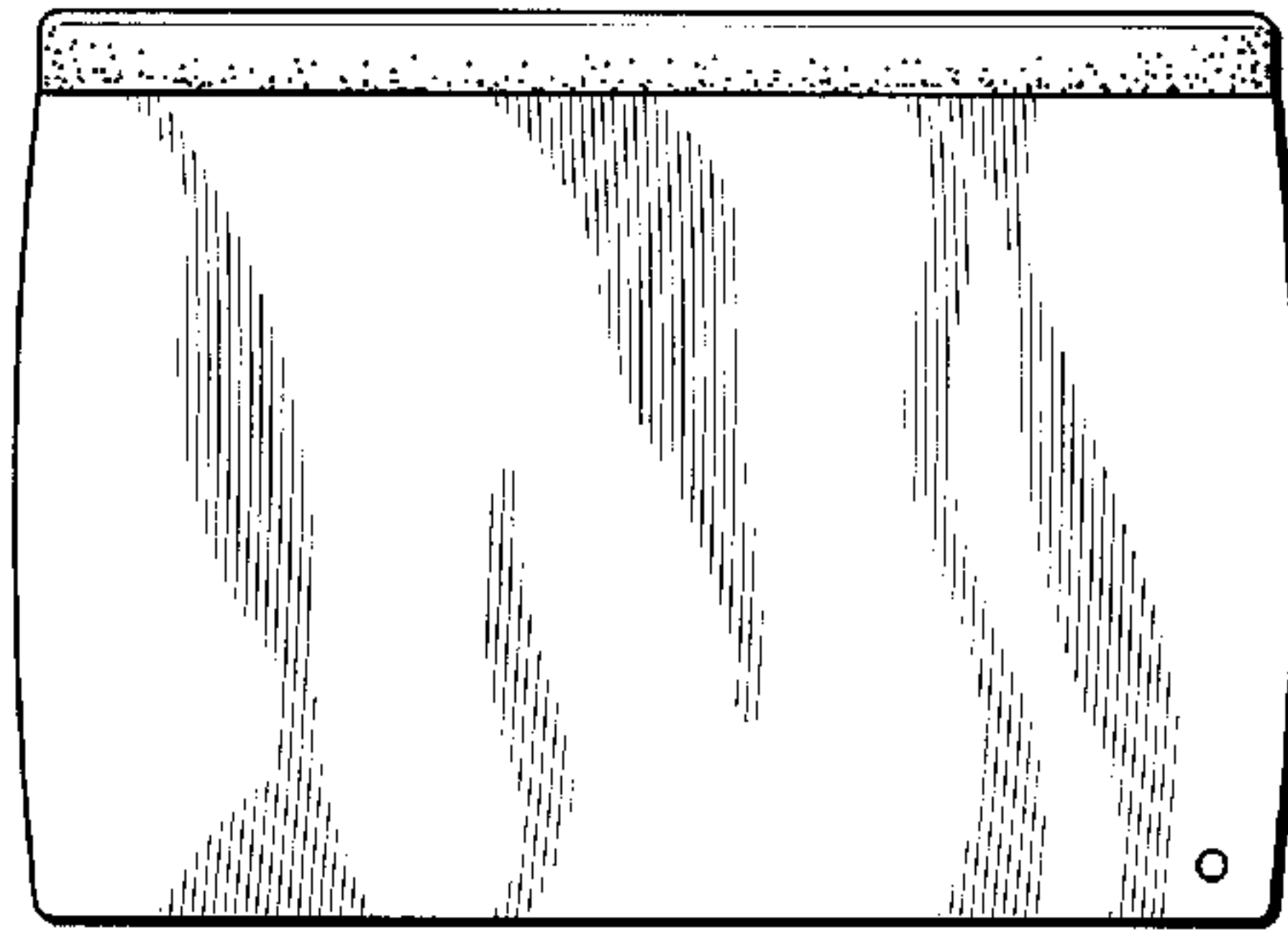


FIG. 5

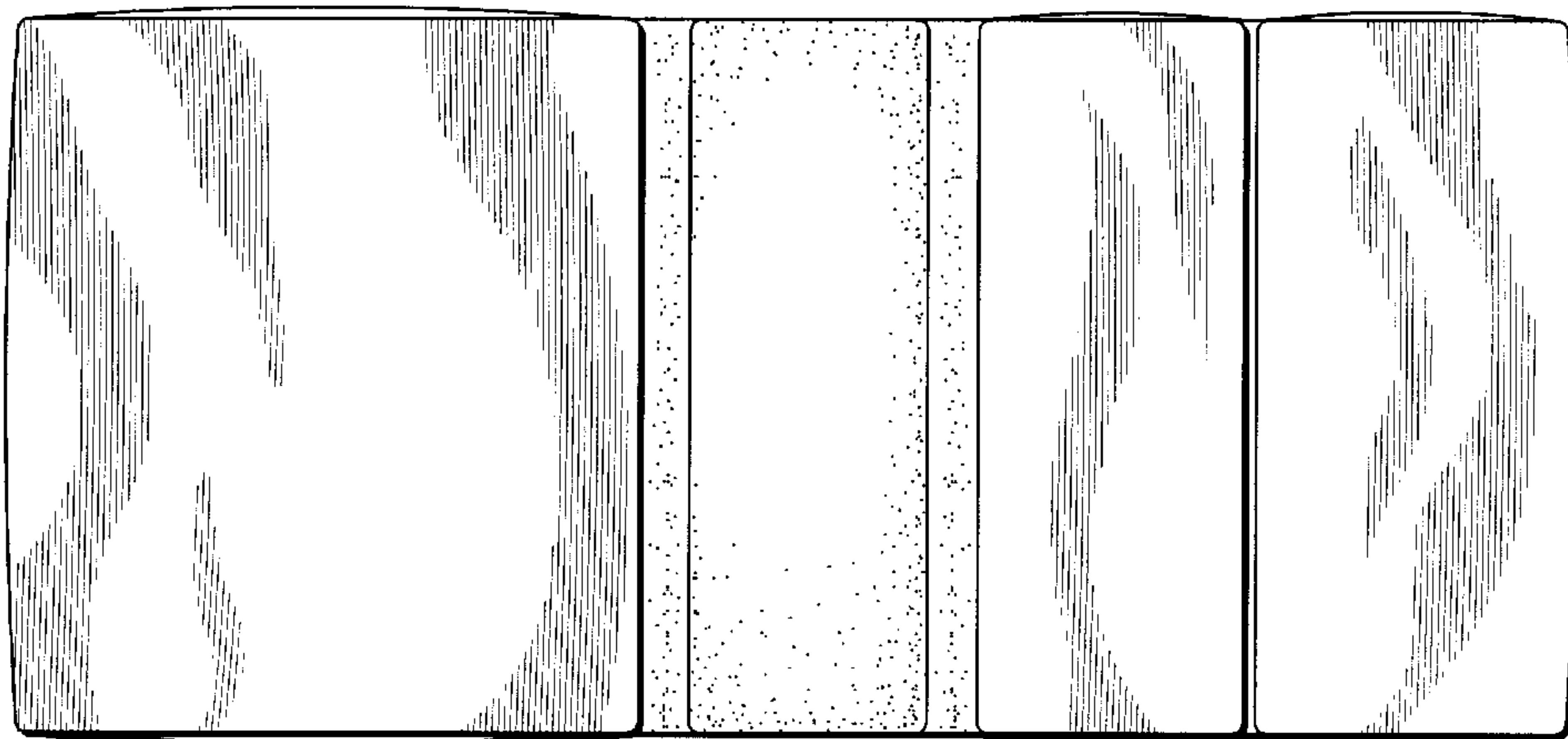


FIG. 6

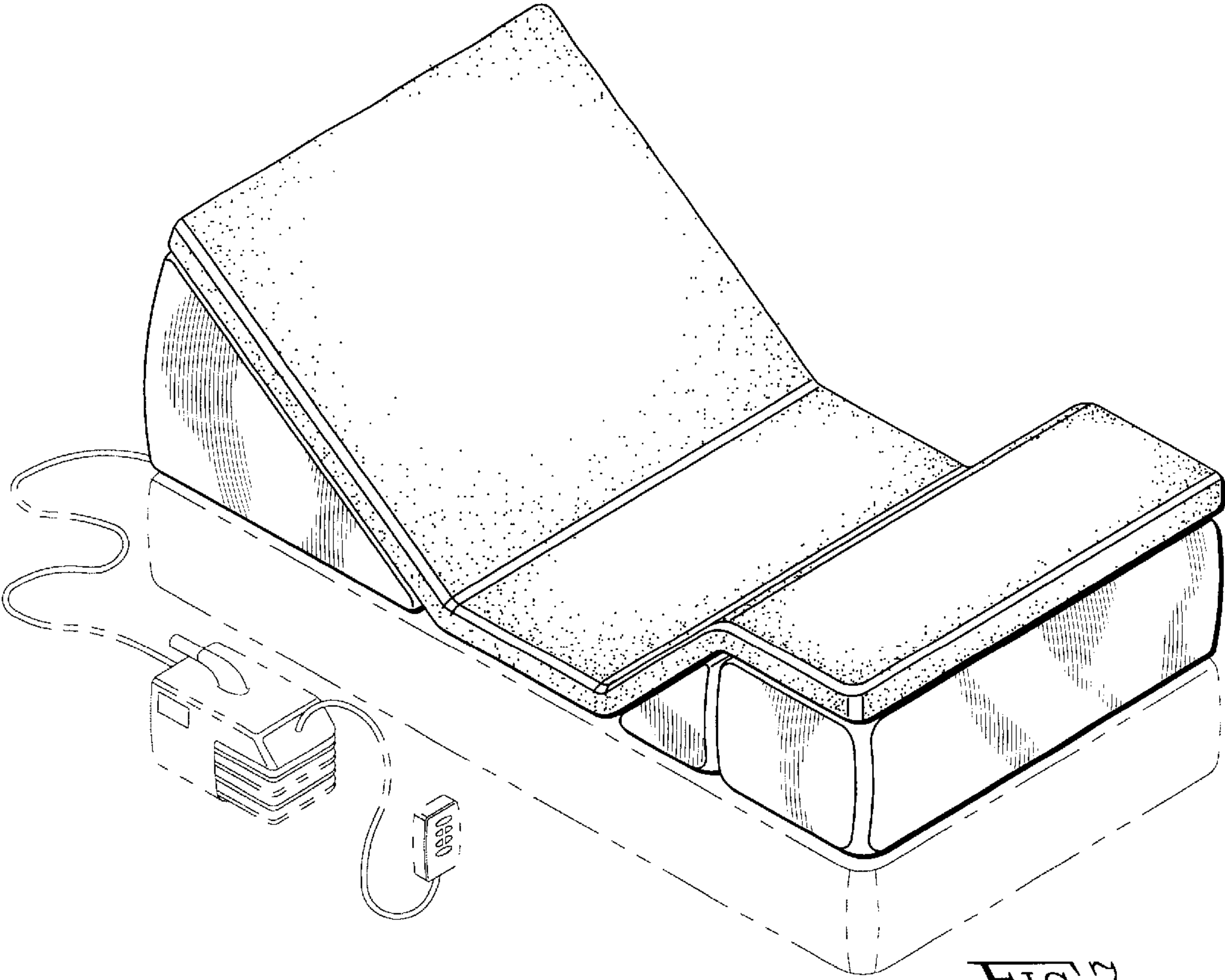


FIG. 7