

US00D543403S

(12) **United States Design Patent**
Tau

(10) **Patent No.:** **US D543,403 S**

(45) **Date of Patent:** **** May 29, 2007**

(54) **SOAP BASKET**

(75) Inventor: **Michael Scott Tau**, Charlotte, NC (US)

(73) Assignee: **Brasstech, Inc.**, Santa Ana, CA (US)

(**) Term: **14 Years**

(21) Appl. No.: **29/248,365**

(22) Filed: **Aug. 11, 2006**

(51) **LOC (8) Cl.** **23-02**

(52) **U.S. Cl.** **D6/540**

(58) **Field of Classification Search** D6/529,
D6/536-540; D7/502, 550, 554.2, 56; 206/77.1,
206/557, 587, 823; 211/13.1, 85.4, 85.12;
D9/682, 690, 692

See application file for complete search history.

(56) **References Cited**

U.S. PATENT DOCUMENTS

- D349,206 S * 8/1994 Fischer et al. D6/536
- D433,858 S * 11/2000 Gastelum et al. D6/540
- D435,992 S * 1/2001 Min-Tsung D6/540
- D468,144 S * 1/2003 Shayo D6/537

- 6,669,033 B1 * 12/2003 Lian D6/540
- D496,816 S * 10/2004 Hoernig D6/540
- D512,862 S * 12/2005 Hoernig D6/540
- D532,636 S * 11/2006 Thorsteinsson et al. D6/540

* cited by examiner

Primary Examiner—Brian N Vinson

(74) *Attorney, Agent, or Firm*—Kwadjo Adusei-Poku; Lloyd D. Doigan

(57) **CLAIM**

The ornamental design for a soap basket, as shown and described.

DESCRIPTION

FIG. 1 is a front perspective view of a soap basket showing my design;

FIG. 2 is a front elevational view thereof;

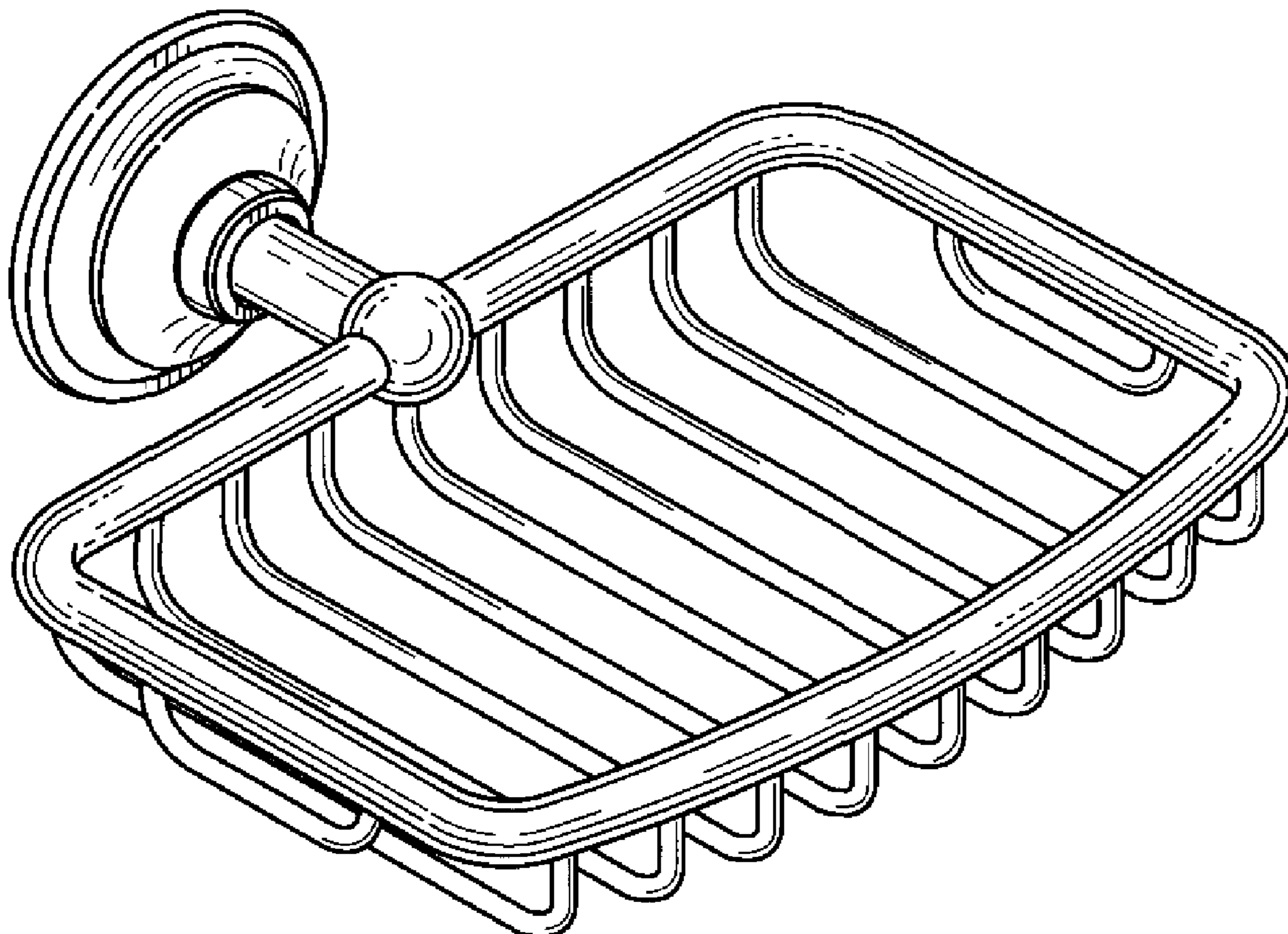
FIG. 3 is a top plan view thereof;

FIG. 4 is a left side elevational view thereof;

FIG. 5 is a right side elevational view thereof; and,

FIG. 6 is a bottom plan view thereof.

1 Claim, 3 Drawing Sheets



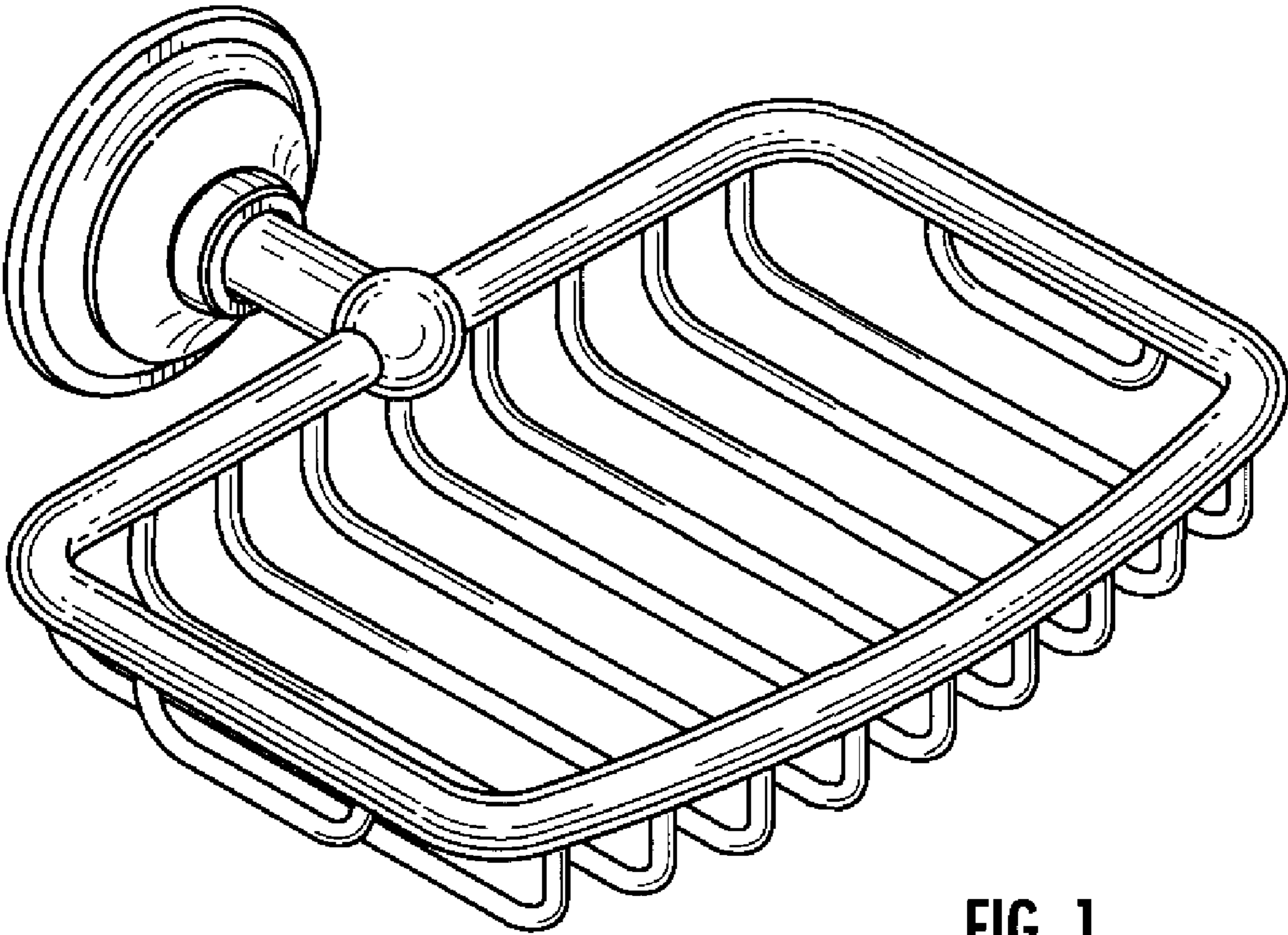


FIG. 1

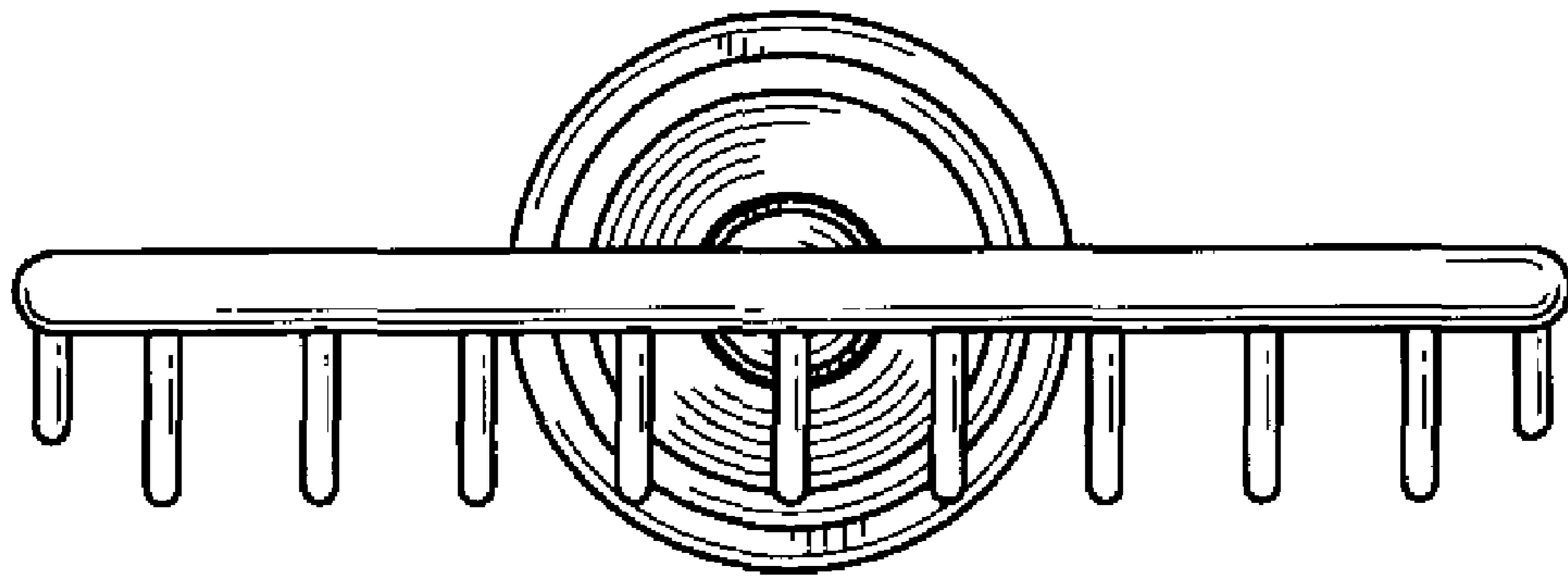


FIG. 2

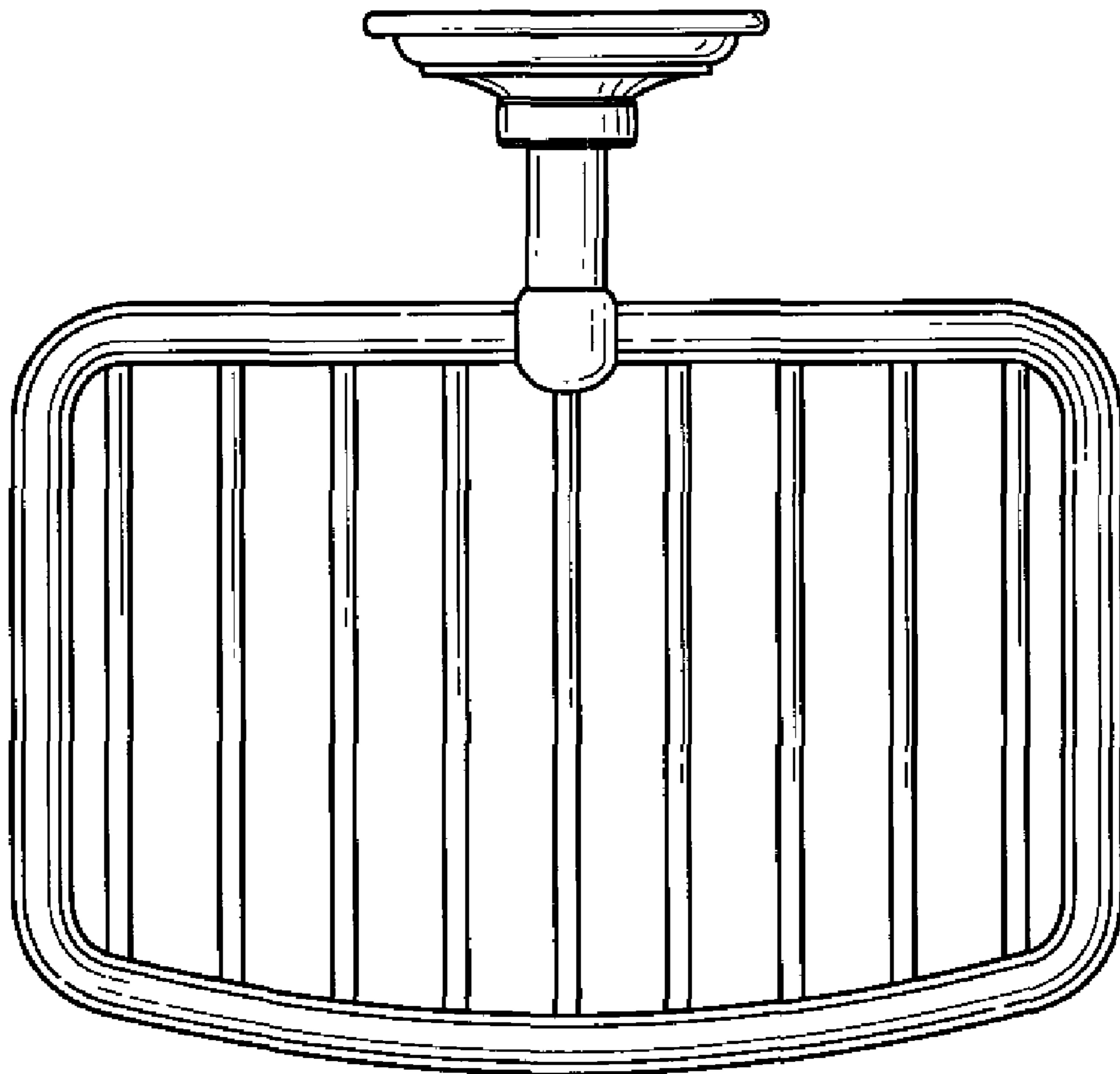


FIG. 3

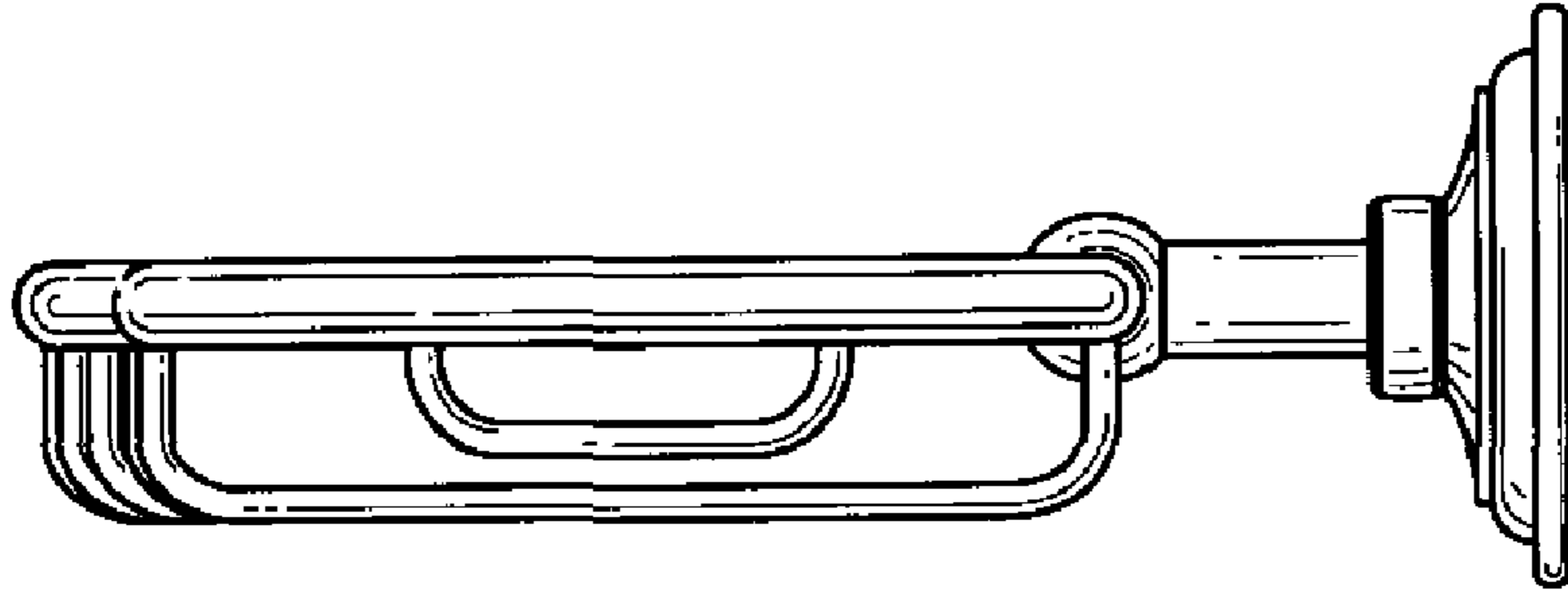


FIG. 4

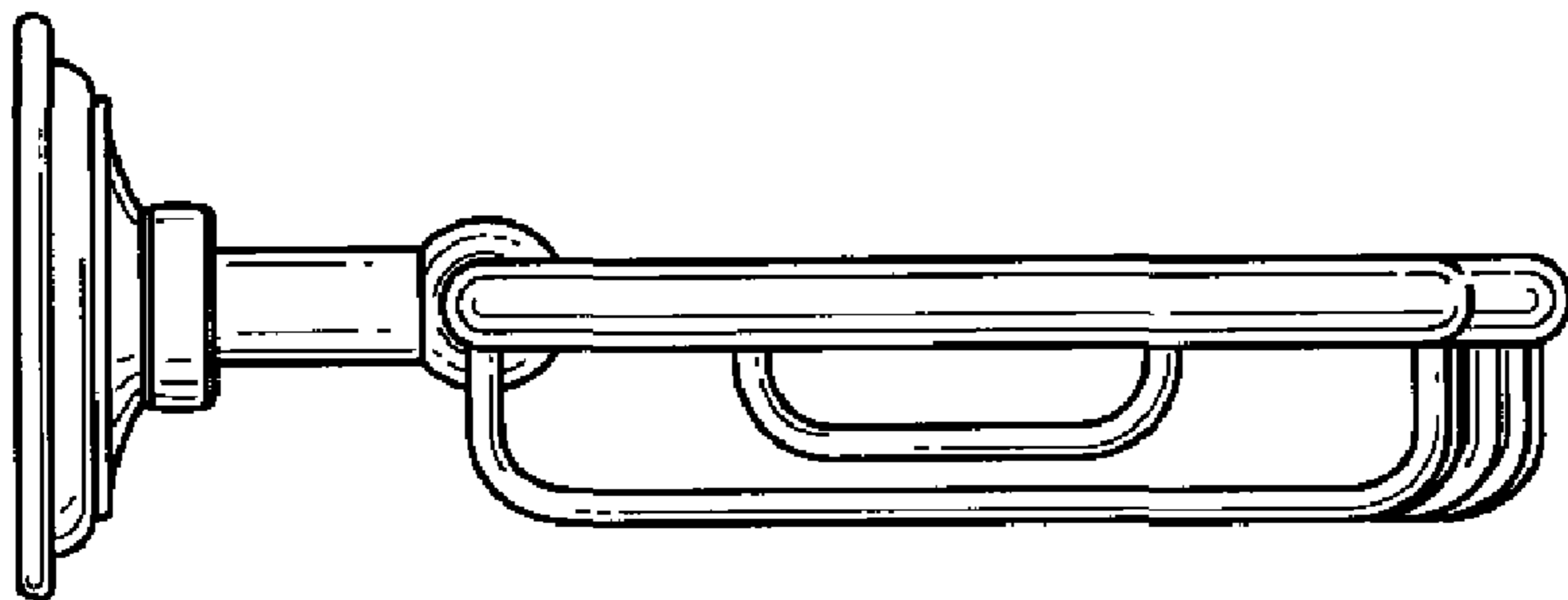


FIG. 5

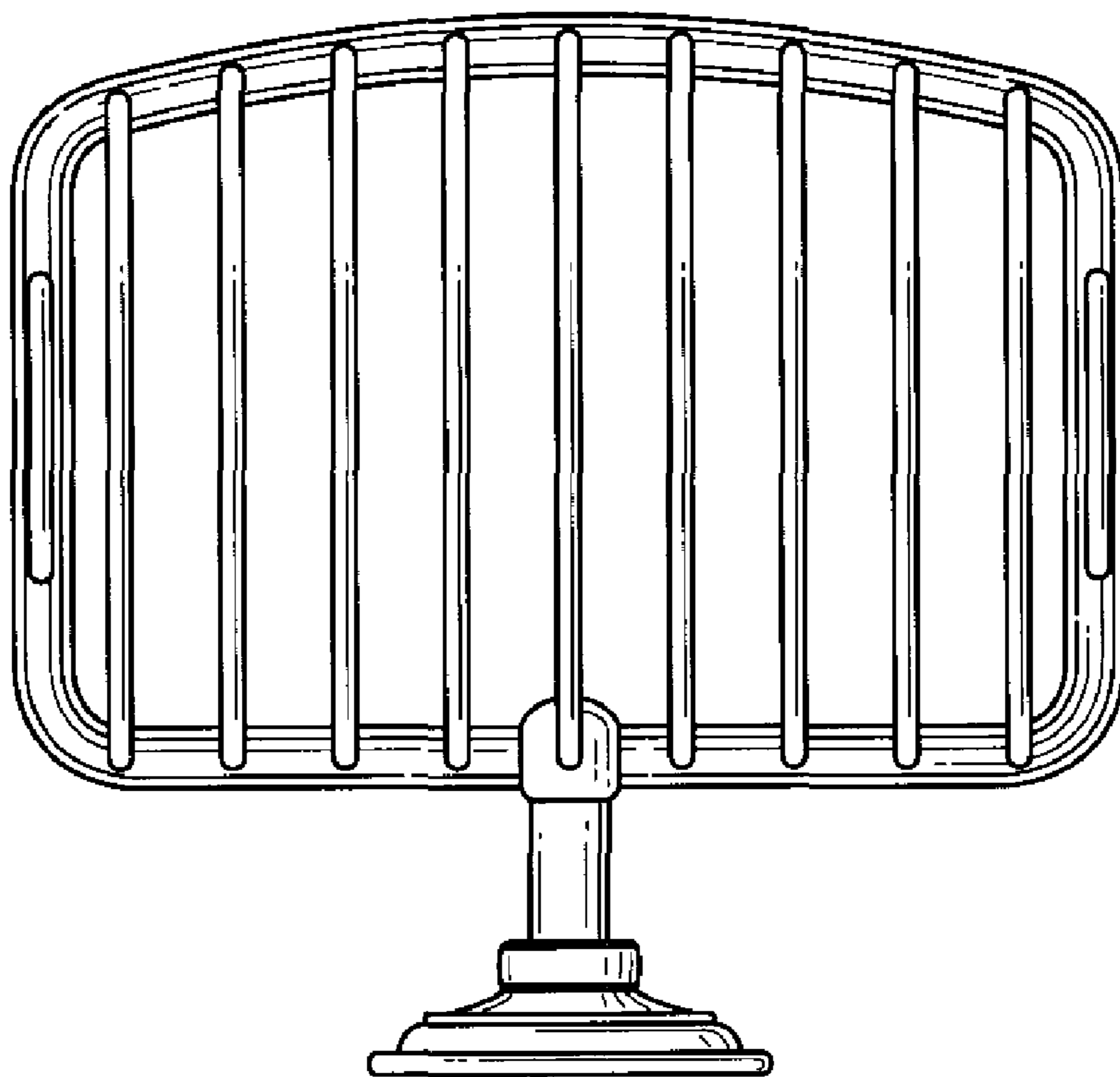


FIG. 6