

US00D543389S

(12) **United States Design Patent**  
**Mazzera**

(10) **Patent No.:** **US D543,389 S**

(45) **Date of Patent:** **\*\* May 29, 2007**

(54) **CHAIR ARM**

(75) Inventor: **Marcello Mazzera**, Chatsworth, CA  
(US)

(73) Assignee: **True Seating Concepts, LLC** (MU)

(\*\*) Term: **14 Years**

(21) Appl. No.: **29/257,579**

(22) Filed: **Apr. 7, 2006**

(51) **LOC (8) Cl.** ..... **06-06**

(52) **U.S. Cl.** ..... **D6/501; D6/366**

(58) **Field of Classification Search** ..... D6/334-336,  
D6/364, 365, 366, 367, 379, 491, 500-502;  
297/411.2, 411.27, 411.28, 411.36, 463.1  
See application file for complete search history.

(56) **References Cited**

**U.S. PATENT DOCUMENTS**

D376,716 S	*	12/1996	Nemeth, Jr.	.....	D6/501
D406,710 S	*	3/1999	Holstensson	.....	D6/501
D411,396 S	*	6/1999	Stumpf	.....	D6/501
D446,411 S	*	8/2001	Ho	.....	D6/500
D461,076 S	*	8/2002	Lee	.....	D6/501
D467,103 S	*	12/2002	Koepke et al.	.....	D6/501
D479,929 S	*	9/2003	Koepke et al.	.....	D6/501

D487,197 S	*	3/2004	Edwards et al.	.....	D6/366
D488,652 S	*	4/2004	Lee	.....	D6/501
D507,423 S	*	7/2005	Beaulieu et al.	.....	D6/366
D510,202 S	*	10/2005	Chadwick et al.	.....	D6/366

\* cited by examiner

*Primary Examiner*—Mimosa De

(74) *Attorney, Agent, or Firm*—Morland C. Fischer

(57) **CLAIM**

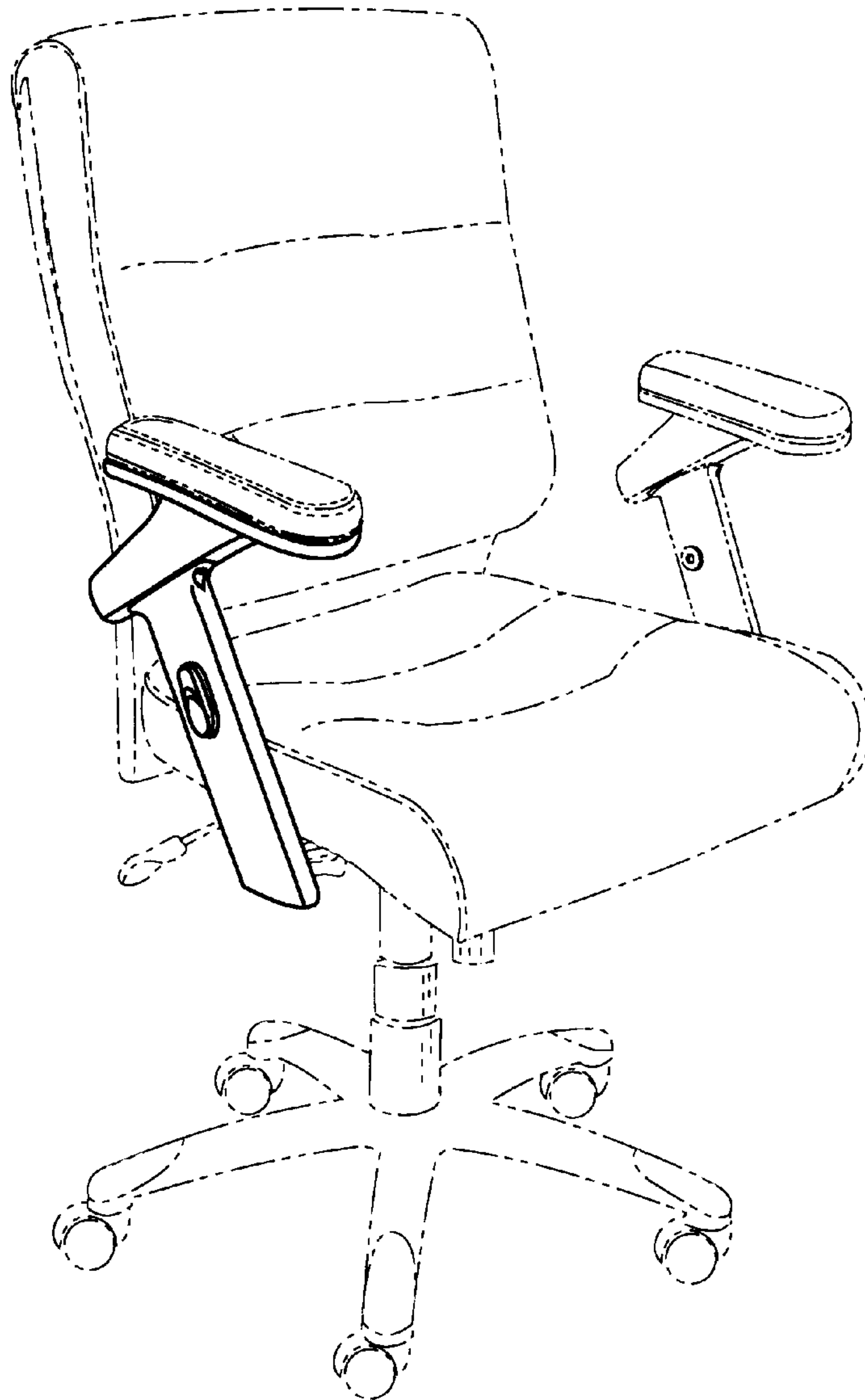
The ornamental design for a chair arm, as shown and described.

**DESCRIPTION**

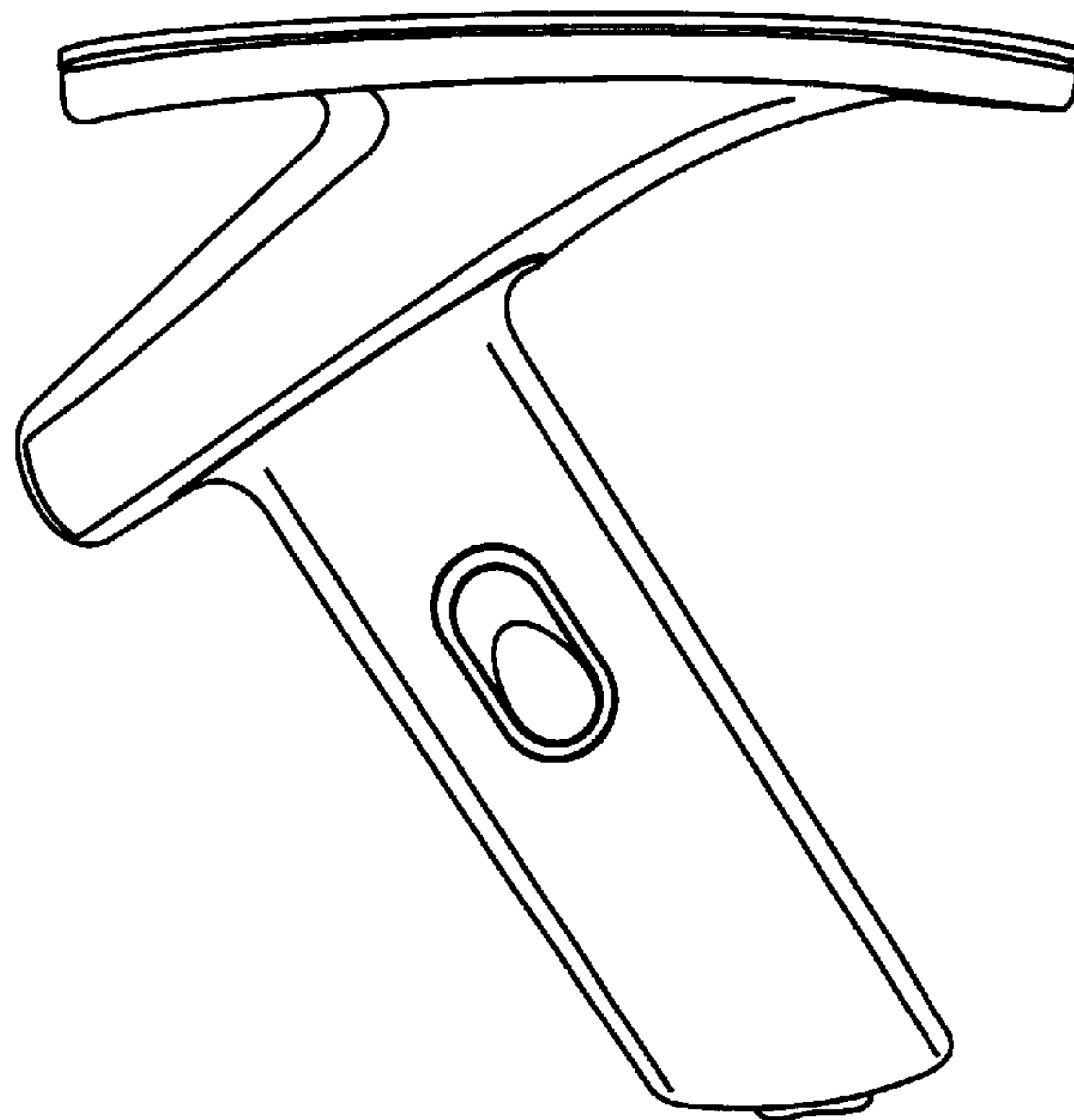
FIG. 1 is a perspective view showing the front, left side and top of a chair arm which forms my new design, the broken lines of a chair and an arm pad being for illustrative purposes only and forming no part of my design;  
FIG. 2 is an enlarged left side elevational view thereof;  
FIG. 3 is an enlarged top plan view thereof;  
FIG. 4 is an enlarged right side elevational view thereof;  
FIG. 5 is an enlarged bottom plan view thereof;  
FIG. 6 is an enlarged front elevational view thereof;  
FIG. 7 is an enlarged rear elevational view thereof; and,  
FIG. 8 is an enlarged perspective view showing the front, left side and top thereof.

**1 Claim, 4 Drawing Sheets**

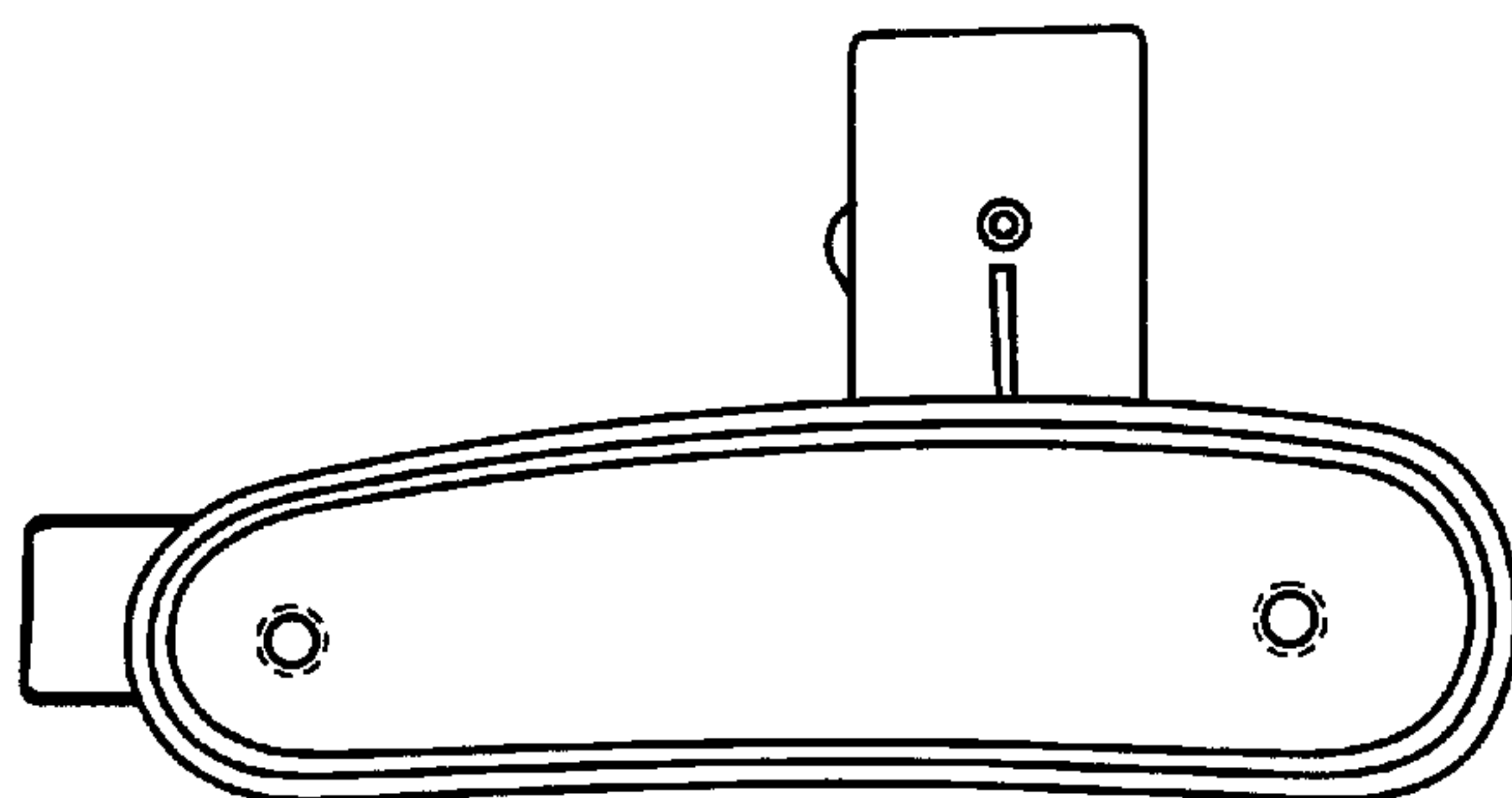




*FIG. 1*



*FIG. 2*



*FIG. 3*

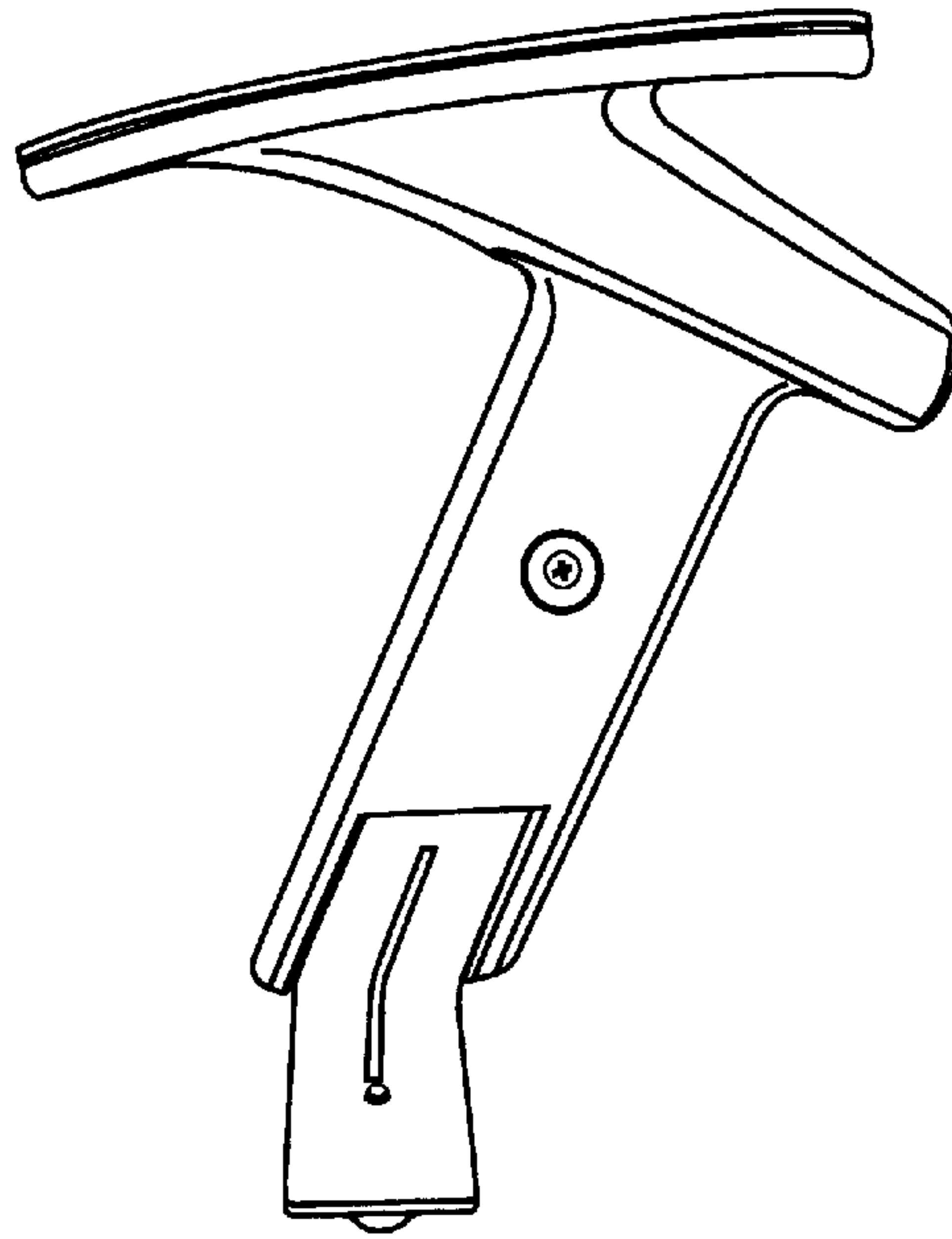


FIG. 4

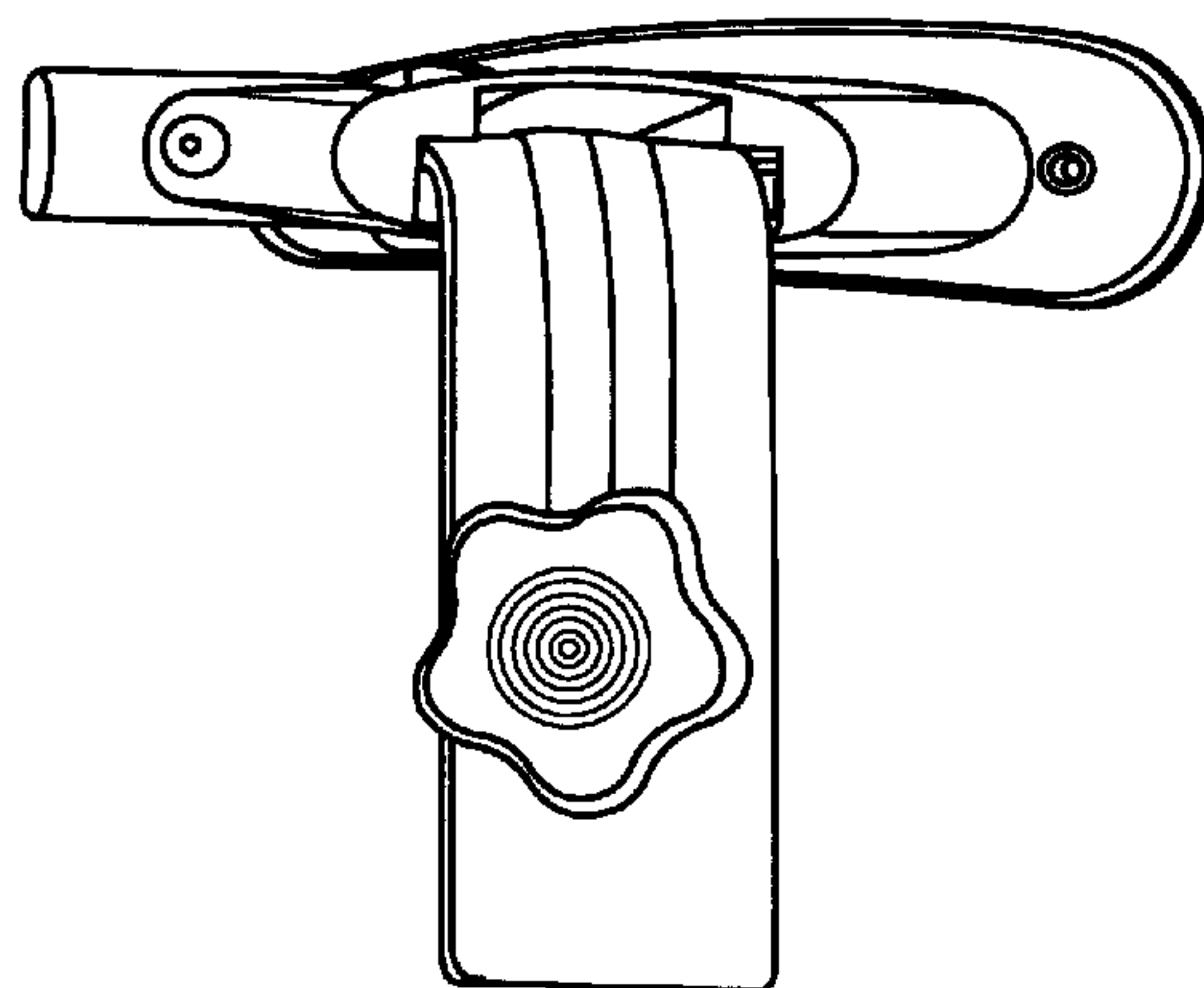


FIG. 5

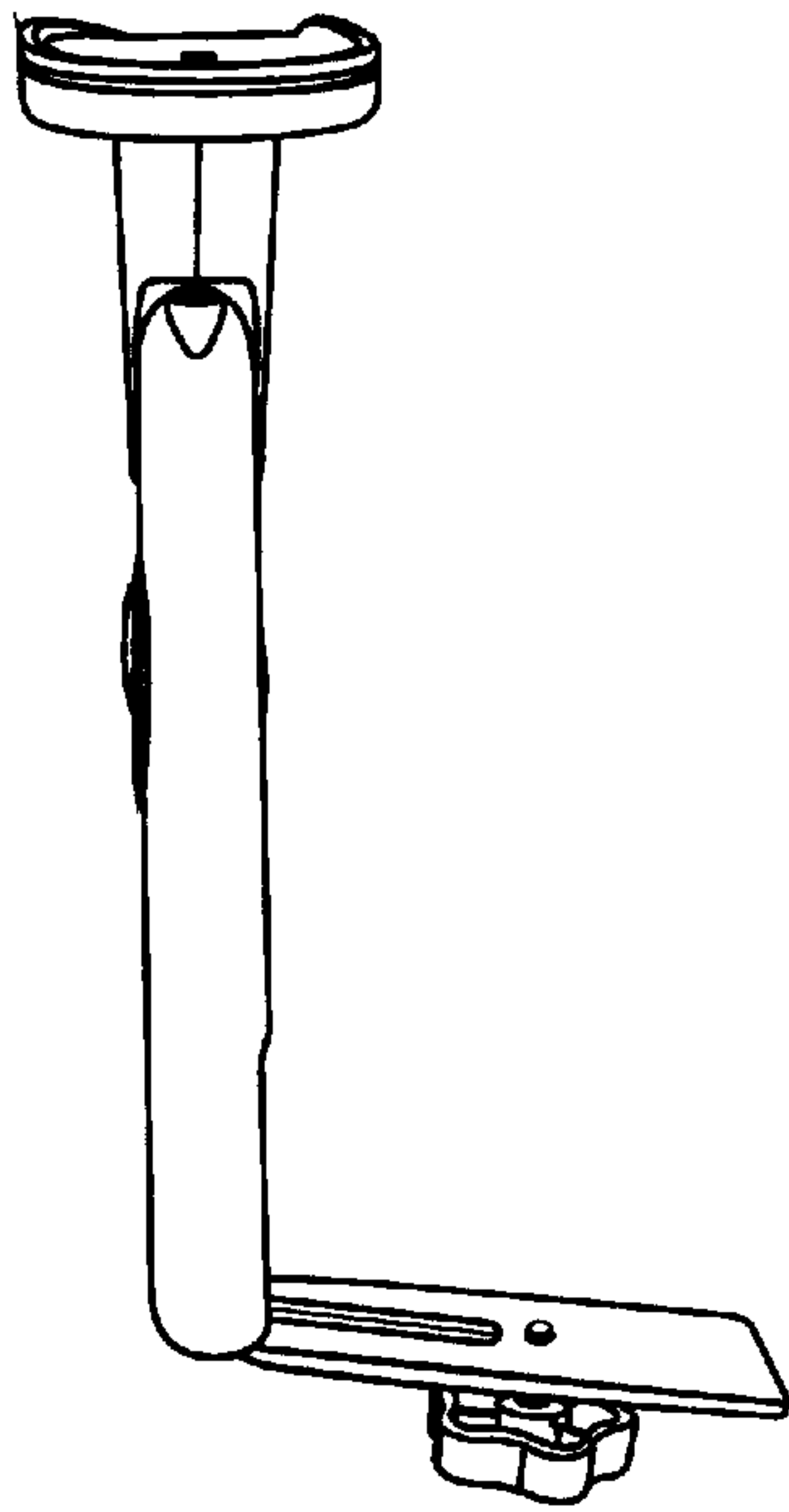


FIG. 6

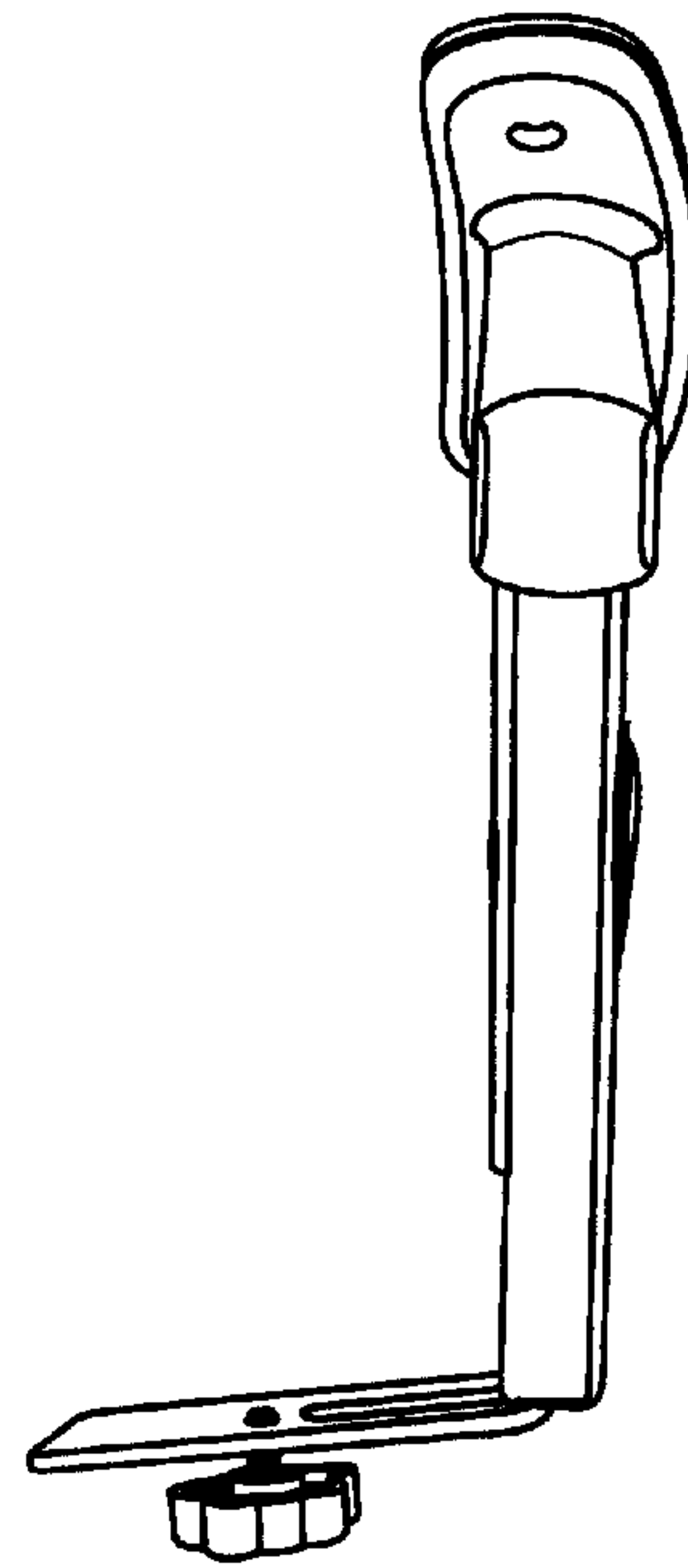


FIG. 7

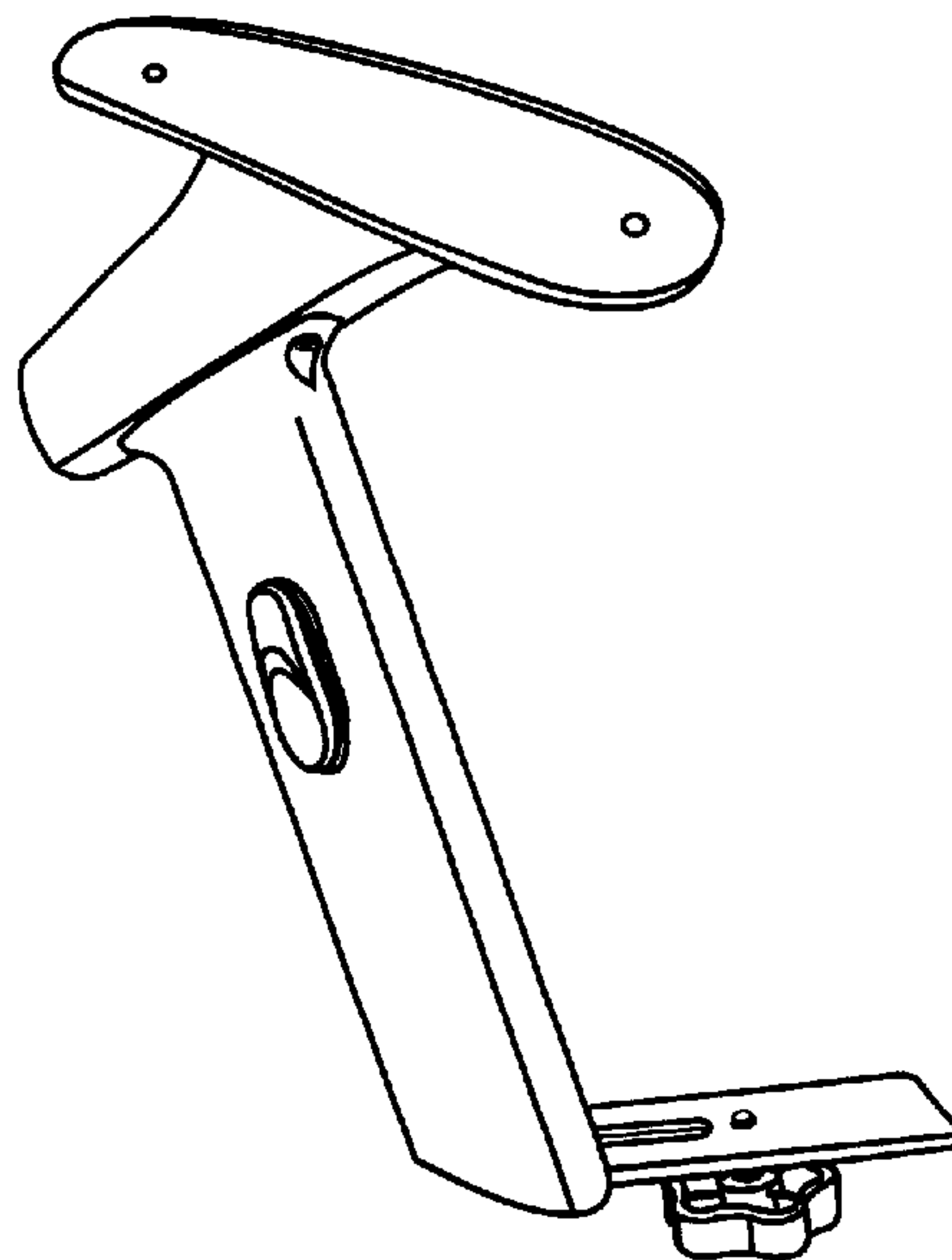


FIG. 8