



US00D543382S

(12) **United States Design Patent**  
**Glassenberg et al.**

(10) **Patent No.:** **US D543,382 S**

(45) **Date of Patent:** **\*\* May 29, 2007**

(54) **DISPLAY RACK**

(76) Inventors: **Marvin Glassenberg**, 6857 N.  
Francisco, Chicago, IL (US) 60645;  
**Michael Glassenberg**, 6630 N.  
Richmond, Chicago, IL (US) 60645

(\*\*) Term: **14 Years**

(21) Appl. No.: **29/209,339**

(22) Filed: **Jul. 14, 2004**

(51) **LOC (8) Cl.** ..... **06-04**

(52) **U.S. Cl.** ..... **D6/462**

(58) **Field of Classification Search** ..... D6/310,  
D6/311, 396, 411, 449, 462, 466, 467, 509,  
D6/552; 211/13.1, 26, 44, 113, 206; 248/456;  
D21/41, 686; D34/24; 52/238.1  
See application file for complete search history.

(56) **References Cited**

**U.S. PATENT DOCUMENTS**

418,857	A	*	1/1890	Waugh	.....	211/44
2,691,238	A	*	10/1954	Svatos	.....	248/456
D251,647	S	*	4/1979	Valien	.....	D6/311
D312,177	S	*	11/1990	Walter	.....	D6/509
D386,794	S	*	11/1997	Rath	.....	D20/41
5,718,344	A	*	2/1998	Joldeson et al.	.....	211/206
D409,812	S	*	5/1999	Lindblom et al.	.....	D34/24

5,927,514	A	*	7/1999	Linder	.....	211/26
D424,141	S	*	5/2000	Eckmann	.....	D21/686
6,240,687	B1	*	6/2001	Chong	.....	52/238.1
6,308,842	B1	*	10/2001	Robbins et al.	.....	211/113
D466,331	S	*	12/2002	Chang	.....	D6/411

\* cited by examiner

*Primary Examiner*—Caron D. Veyanr

*Assistant Examiner*—Mary Ann Calabrese

(74) *Attorney, Agent, or Firm*—McAndrews, Held & Malloy, Ltd.

(57) **CLAIM**

The ornamental design for a display rack, as shown and described.

**DESCRIPTION**

FIG. 1 is a perspective view of a display rack showing my new design.

FIG. 2 is a top plan view thereof.

FIG. 3 is a bottom plan view thereof.

FIG. 4 is a front elevation view thereof.

FIG. 5 is a rear elevation view thereof; and,

FIG. 6 is a right elevation view thereof, the opposite side being a mirror image thereof.

In the drawings, the broken lines represent environmental structure forming no part of the claim.

**1 Claim, 5 Drawing Sheets**

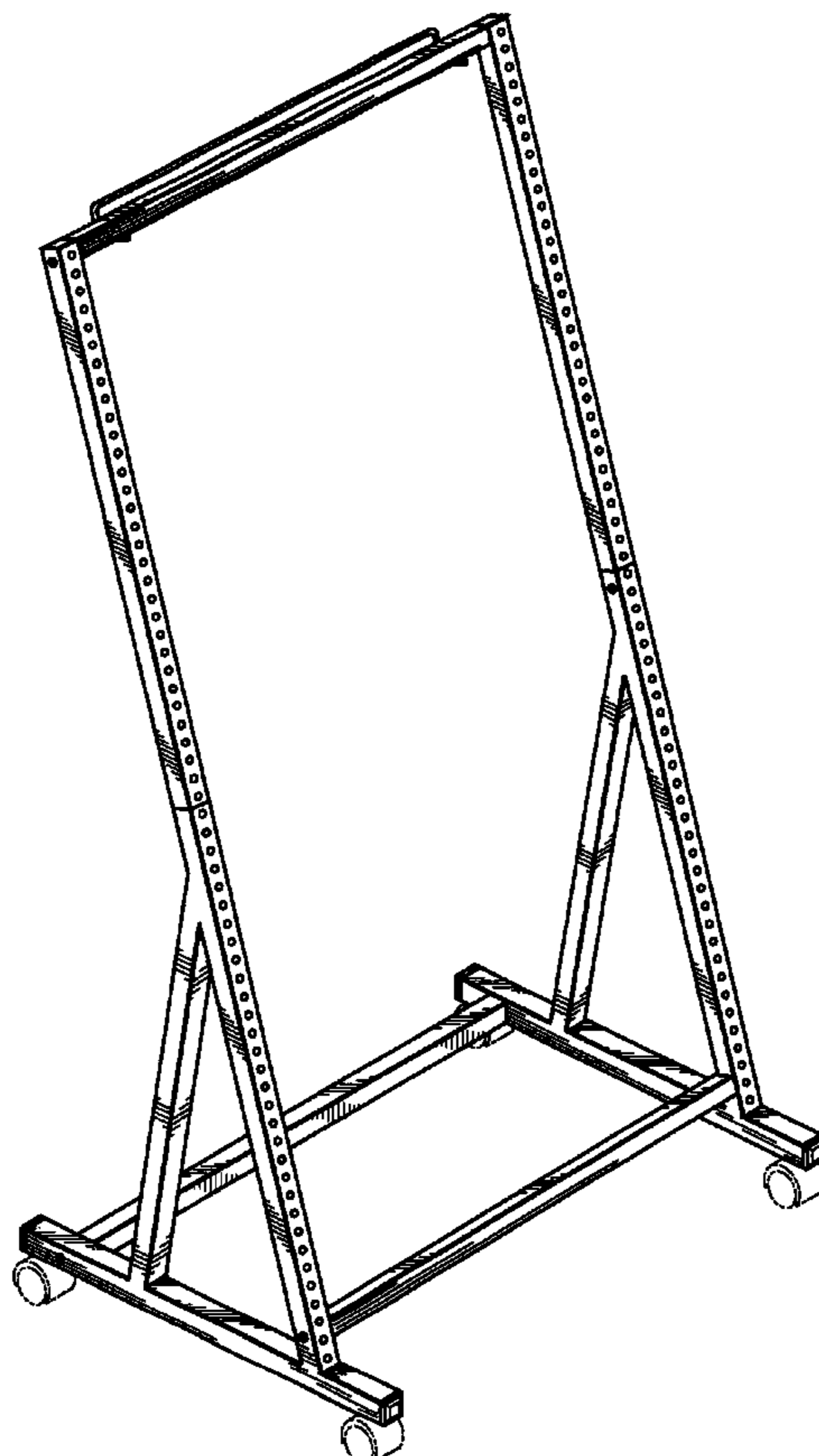


Fig. 1

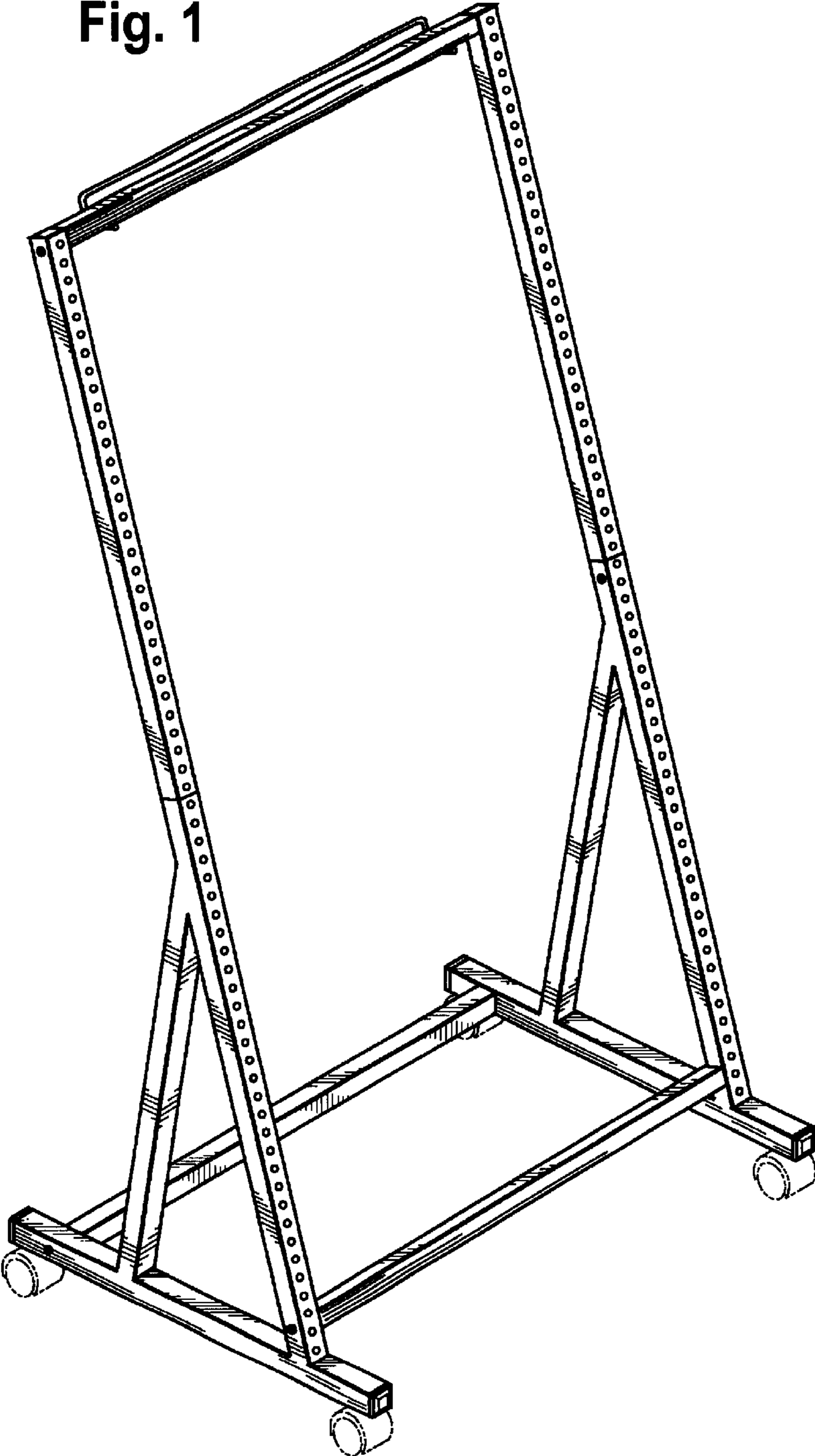


Fig. 2

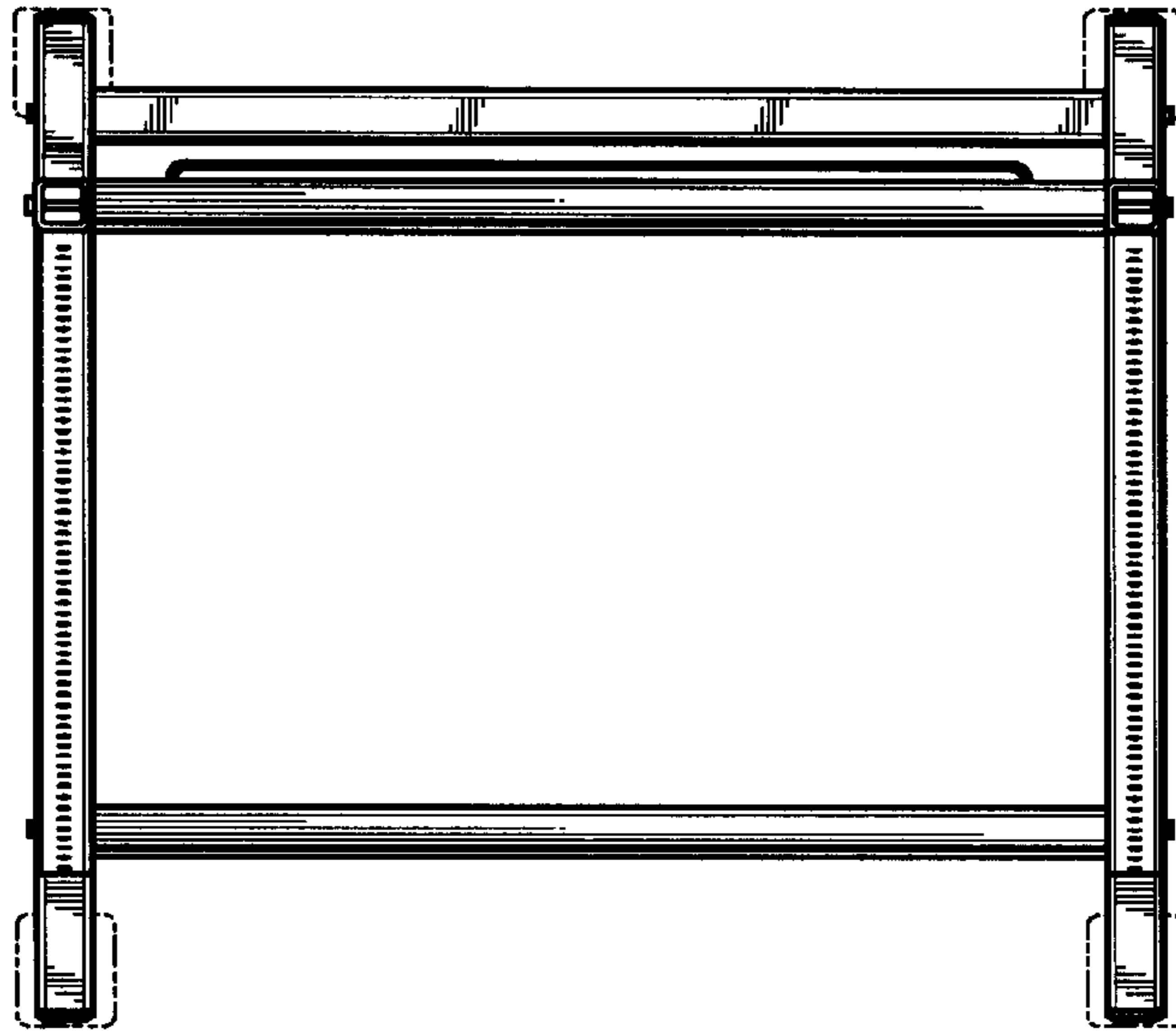


Fig. 3

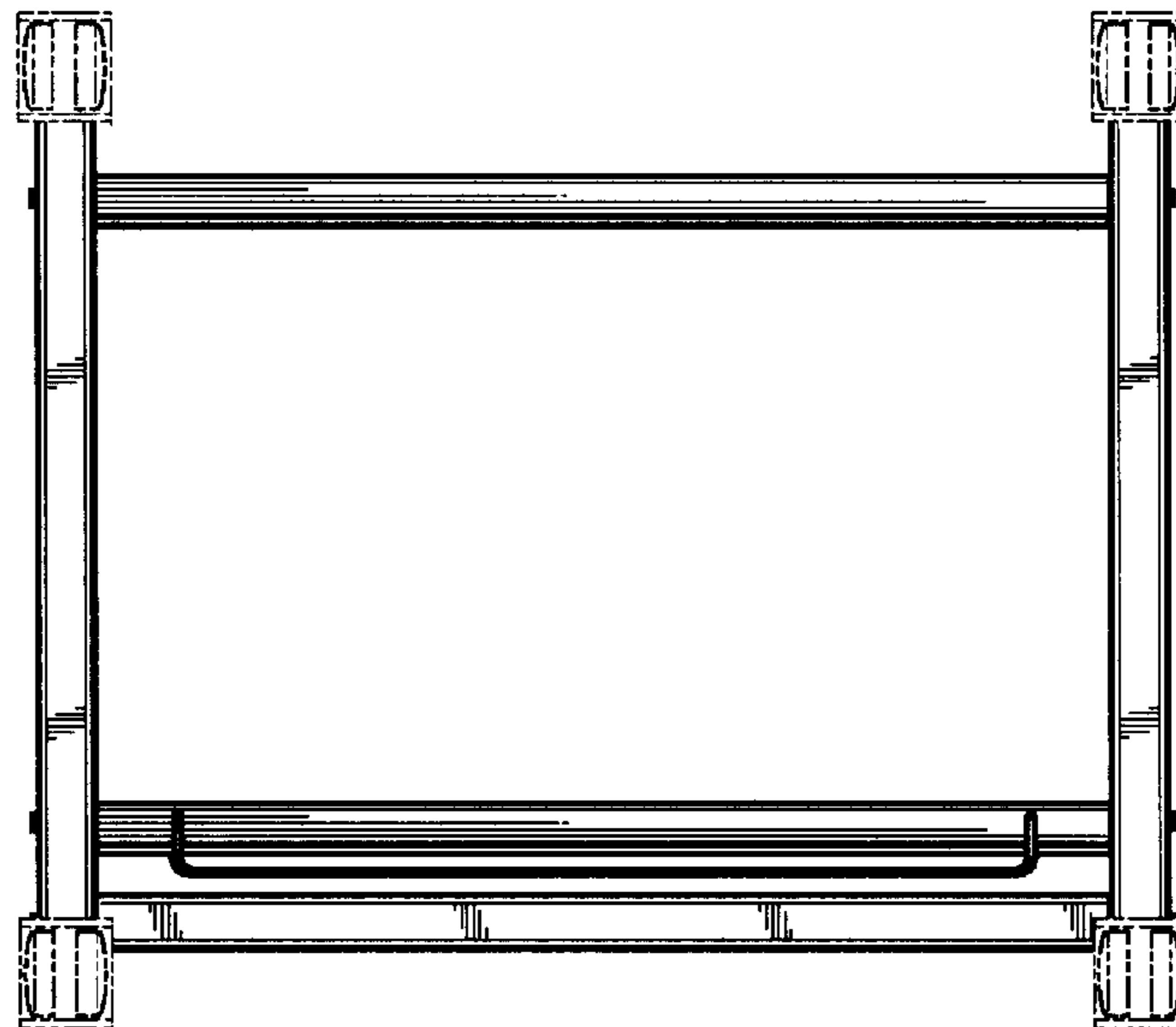


Fig. 4

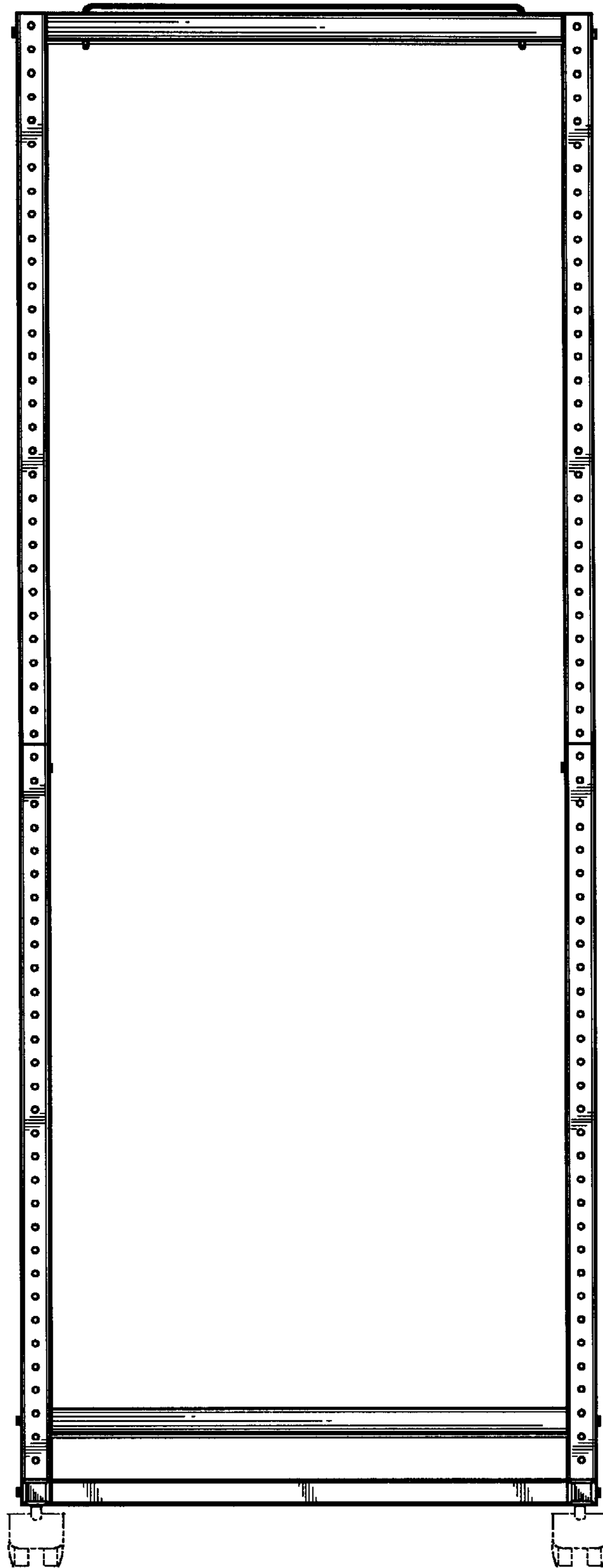


Fig. 5

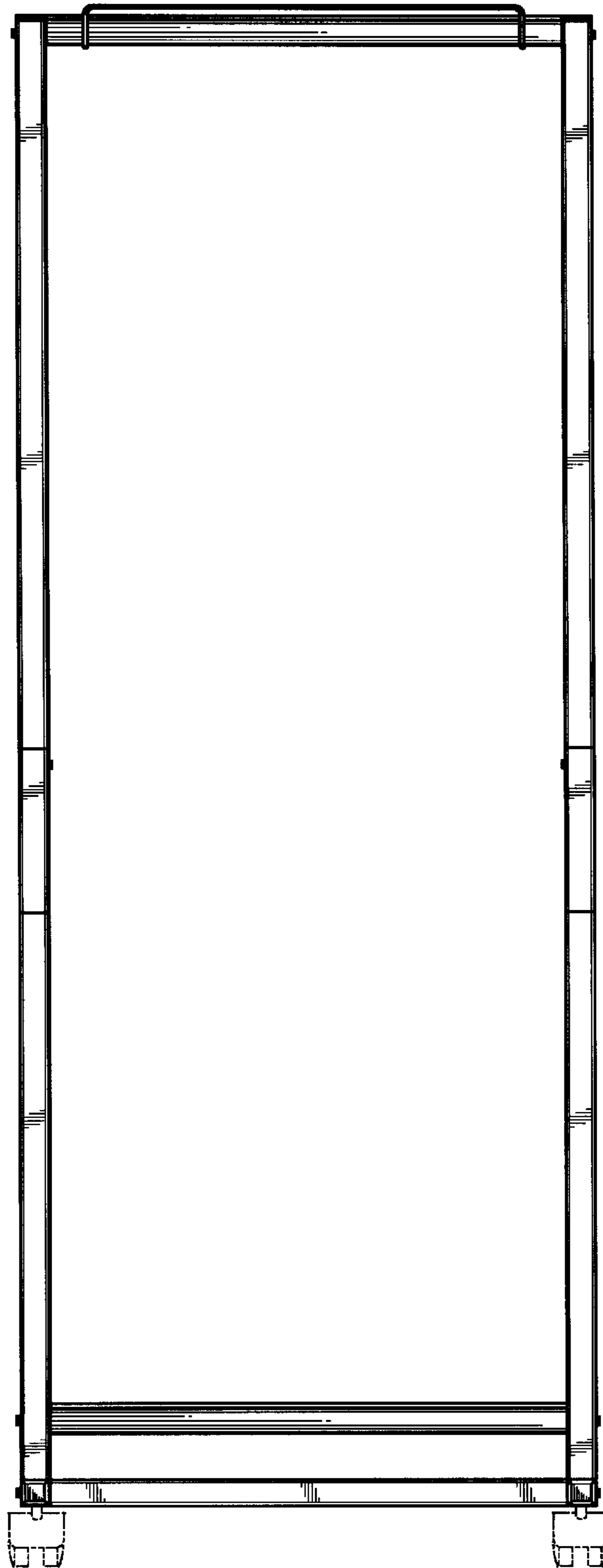


Fig. 6

